



US00D536645S

(12) **United States Design Patent**
Cole

(10) **Patent No.:** **US D536,645 S**

(45) **Date of Patent:** **** Feb. 13, 2007**

(54) **FOLDING BICYCLE**

6,883,817 B2 * 4/2005 Chu 280/278

(75) Inventor: **James Cole**, Fleury en Biere (FR)

* cited by examiner

(73) Assignee: **Mobiky**, Bieville Beuville (FR)

Primary Examiner—Alan P. Douglas

Assistant Examiner—Linda Brooks

(**) Term: **14 Years**

(74) *Attorney, Agent, or Firm*—Young & Thompson

(21) Appl. No.: **29/237,423**

(57) **CLAIM**

(22) Filed: **Sep. 1, 2005**

The ornamental design for a folding bicycle, as shown and described.

(30) **Foreign Application Priority Data**

DESCRIPTION

Mar. 2, 2005 (EM) 000302732-0001

FIG. 1 is a side elevational view of a folding bicycle showing my new design;

(51) **LOC (8) Cl.** **12-11**

FIG. 2 is a side elevational view thereof from the side opposite that shown in FIG. 1;

(52) **U.S. Cl.** **D12/111**

(58) **Field of Classification Search** D12/111;
280/274–288, 281.1

FIG. 3 is a rear elevational view thereof;

See application file for complete search history.

FIG. 4 is a side, bottom and front perspective view thereof;

(56) **References Cited**

FIG. 5 is a front elevational view thereof;

U.S. PATENT DOCUMENTS

FIG. 6 is a top plan view thereof;

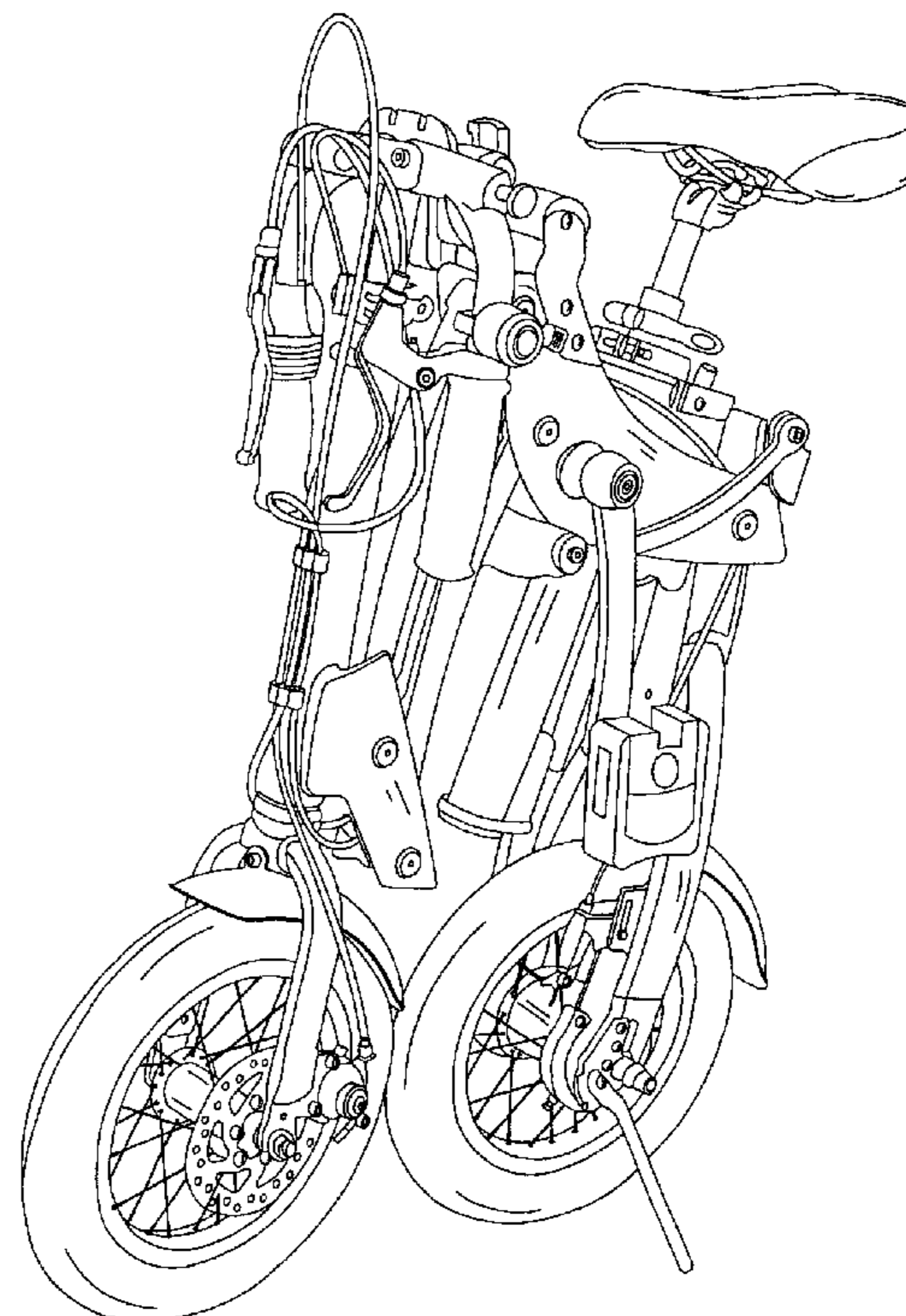
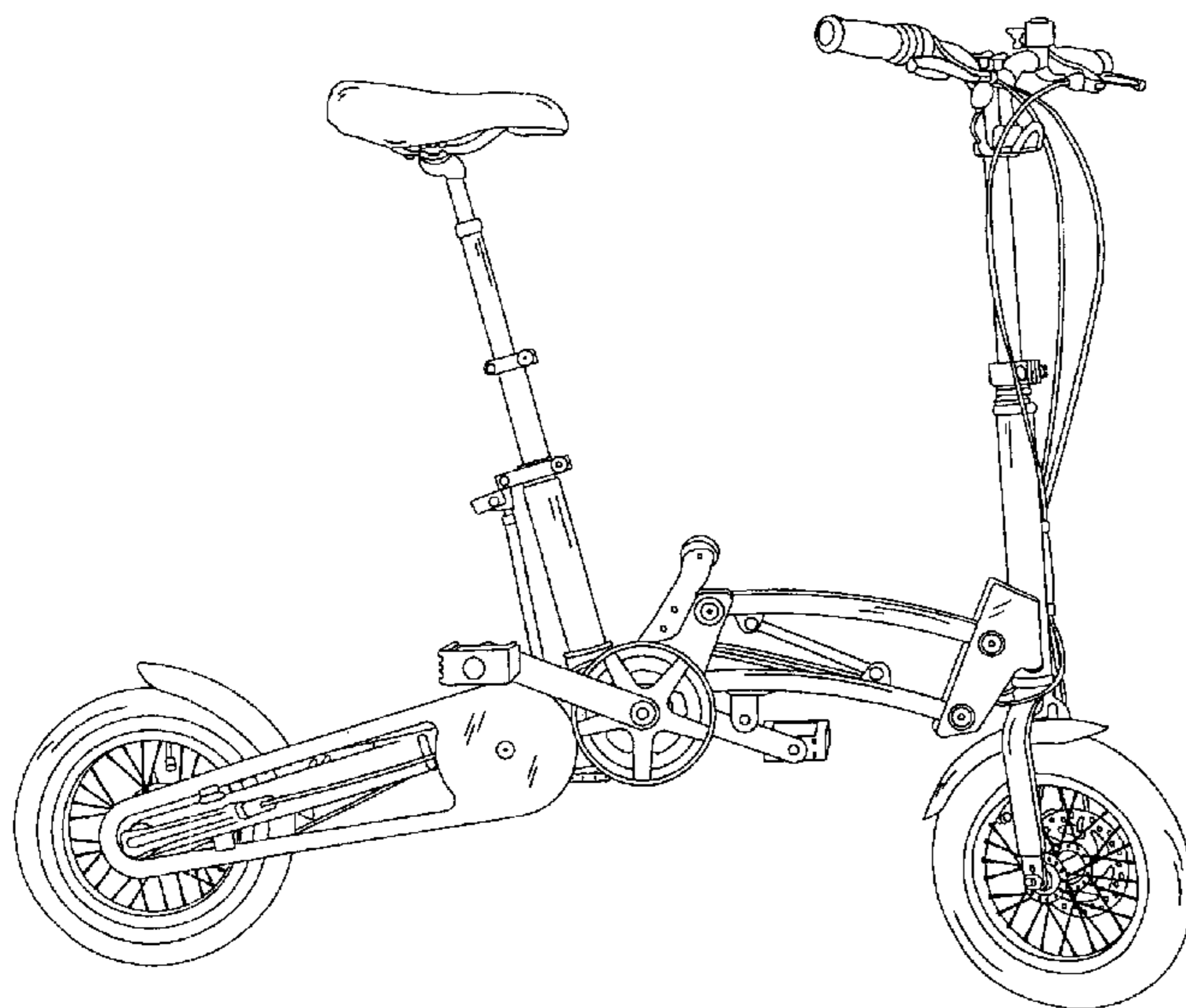
D497,122 S * 10/2004 Uenaka D12/111

FIG. 7 is a front and side perspective view thereof; and,

6,799,771 B2 * 10/2004 Bigot 280/278

FIG. 8 is a front and side perspective view thereof with the parts in a folded position.

1 Claim, 8 Drawing Sheets



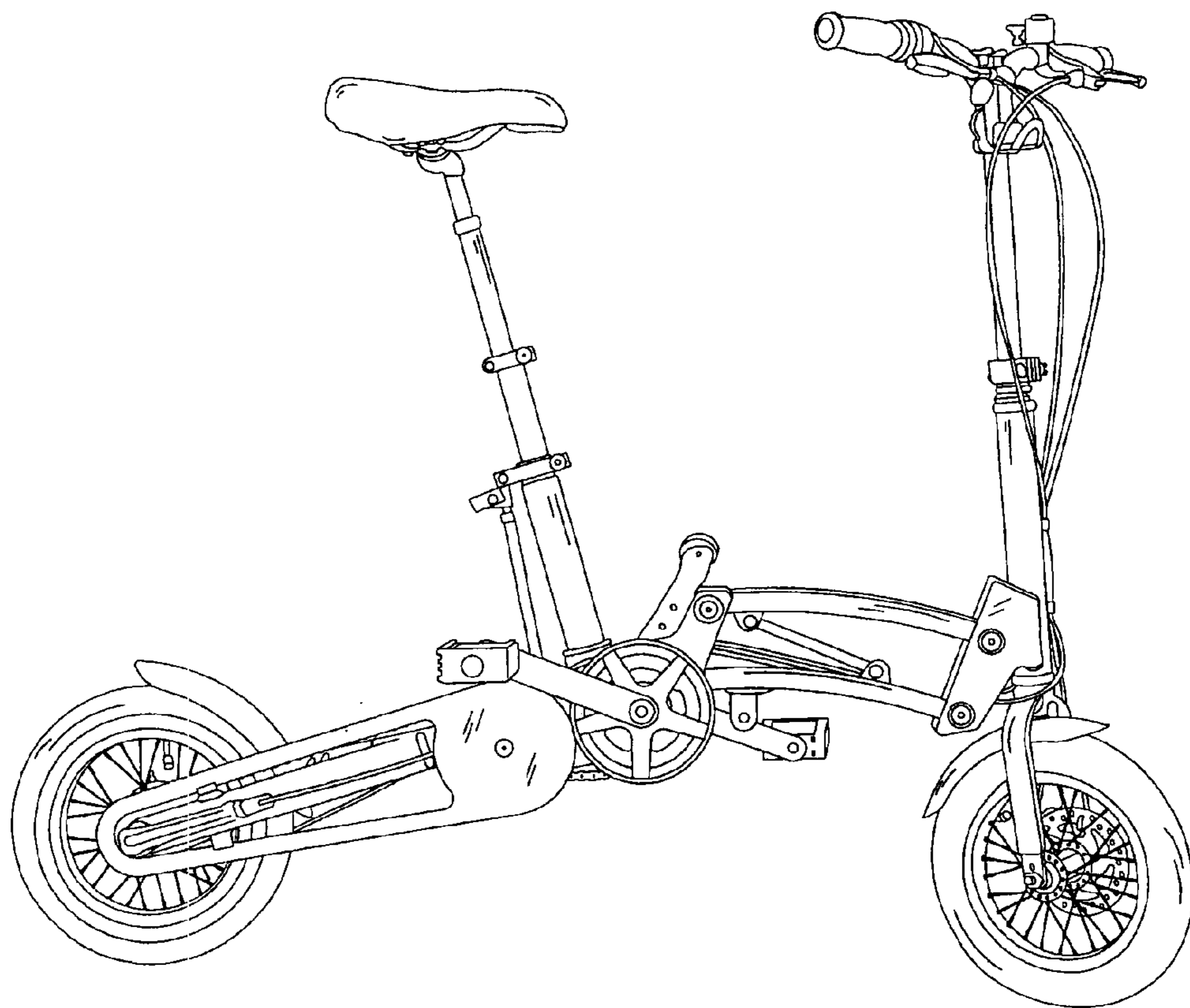


FIG. 1



FIG. 2

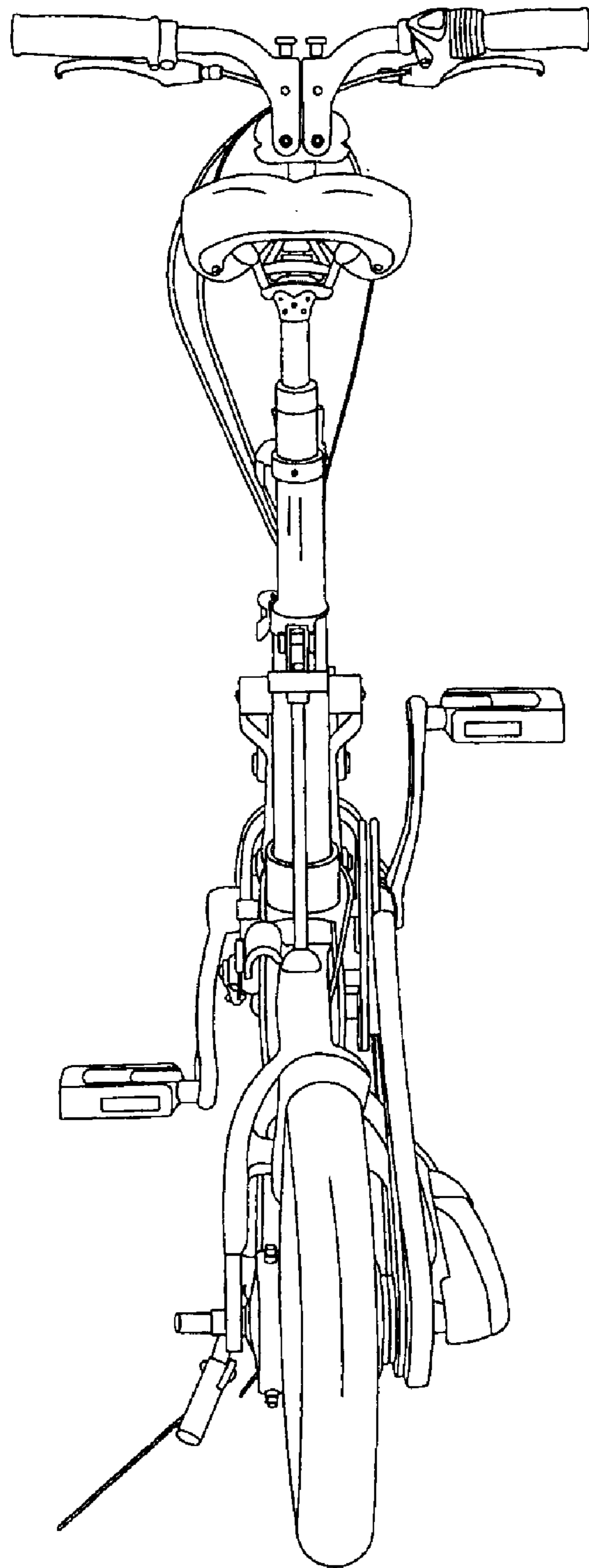


FIG. 3

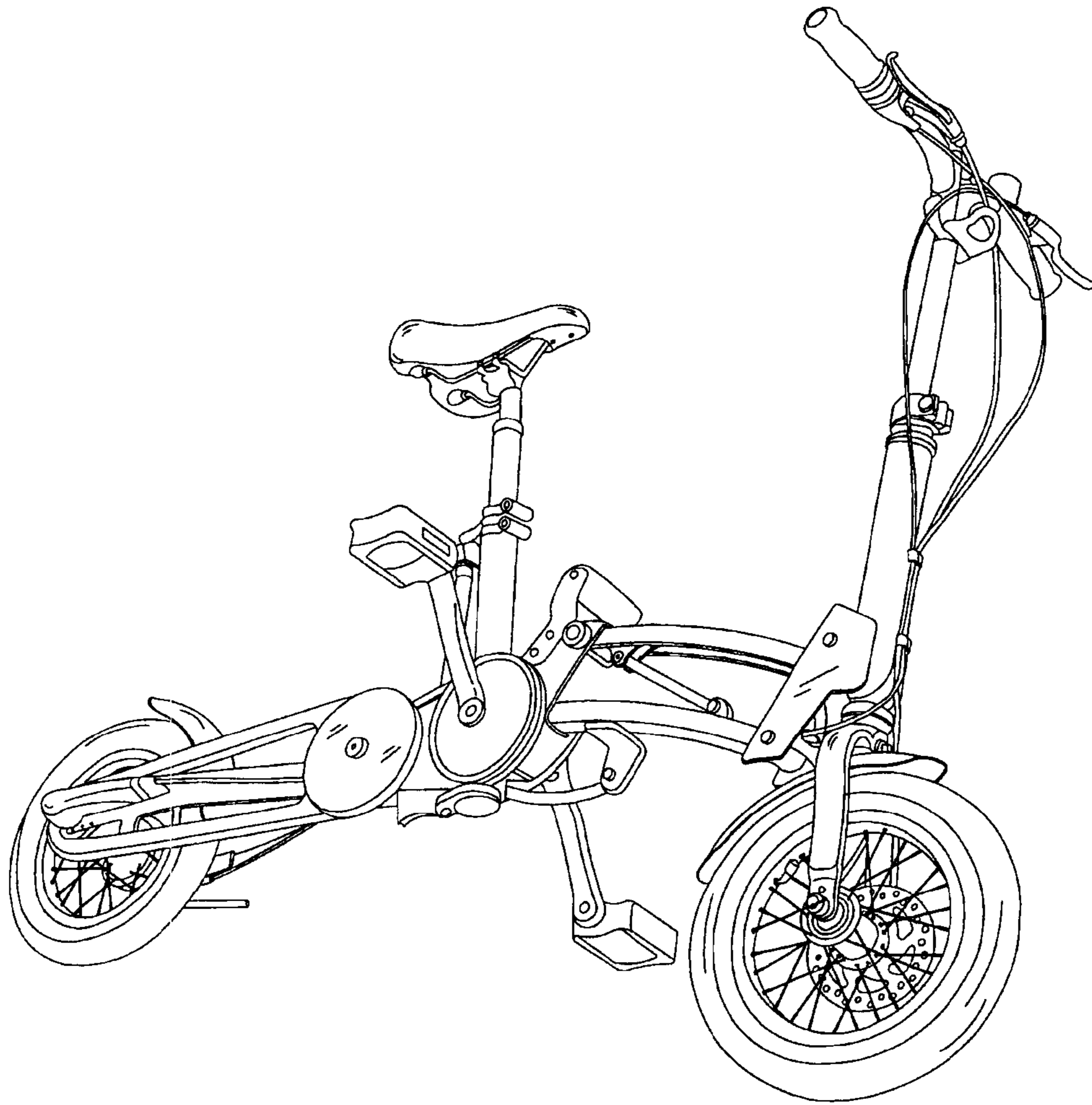


FIG. 4

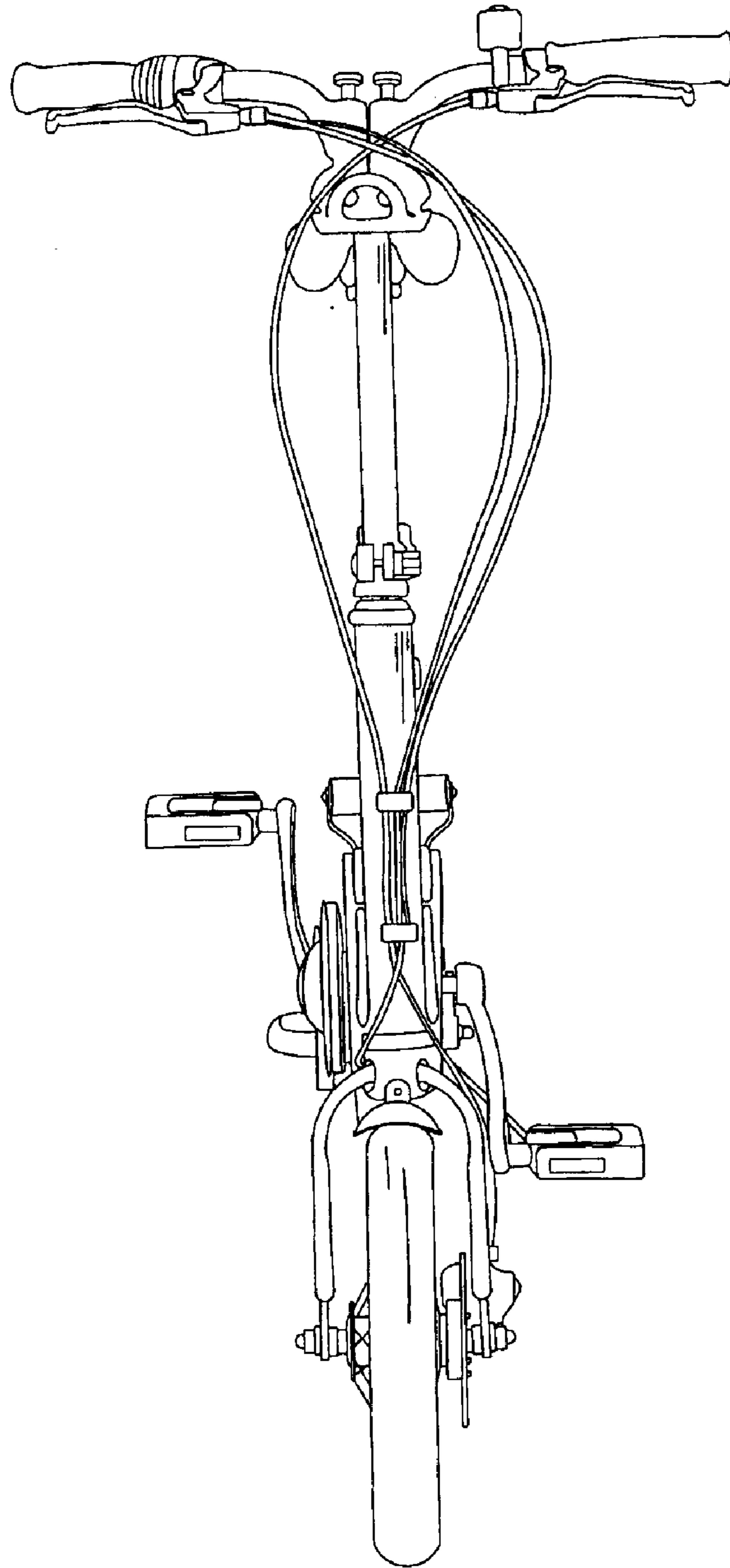


FIG. 5

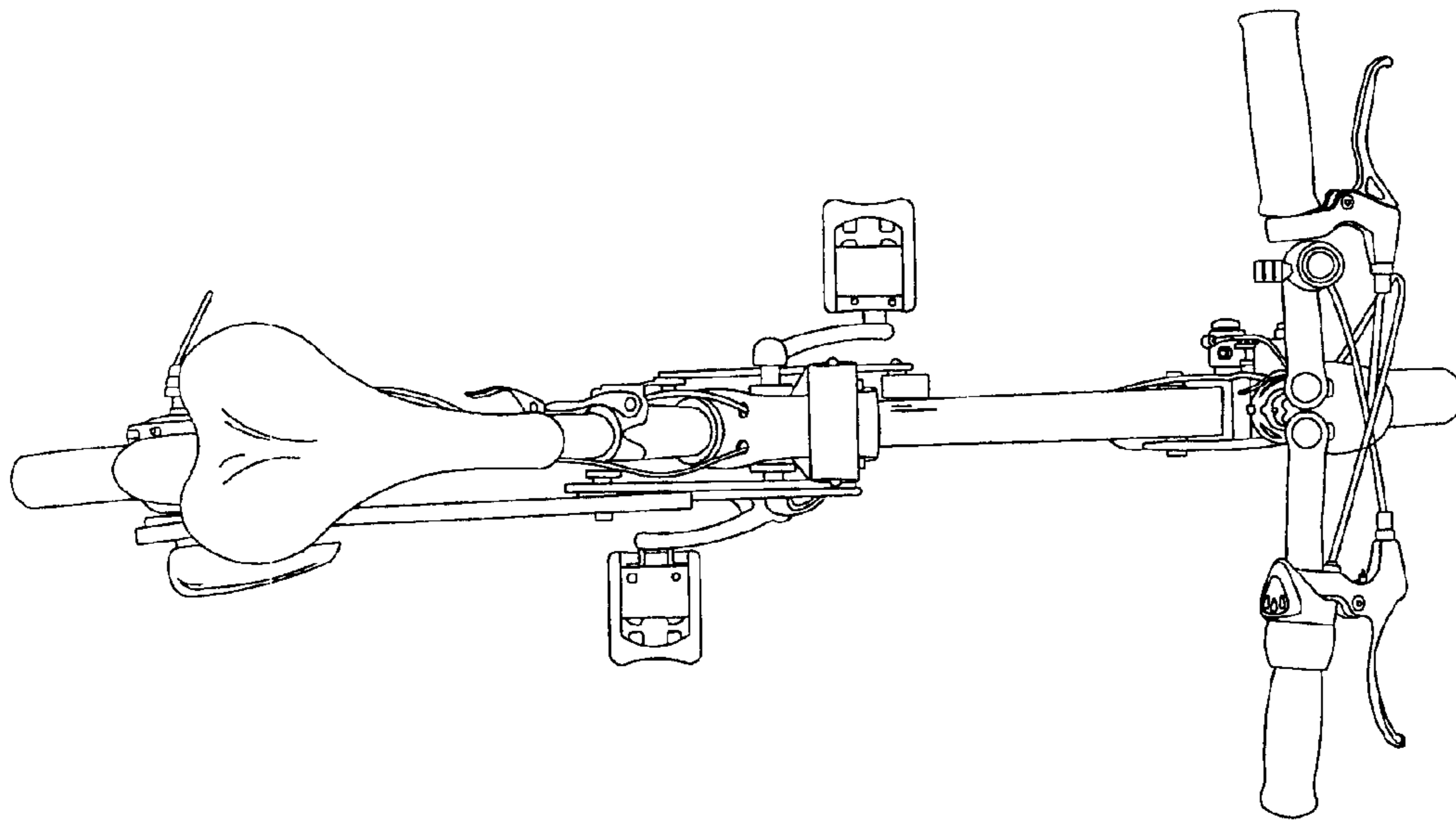


FIG. 6

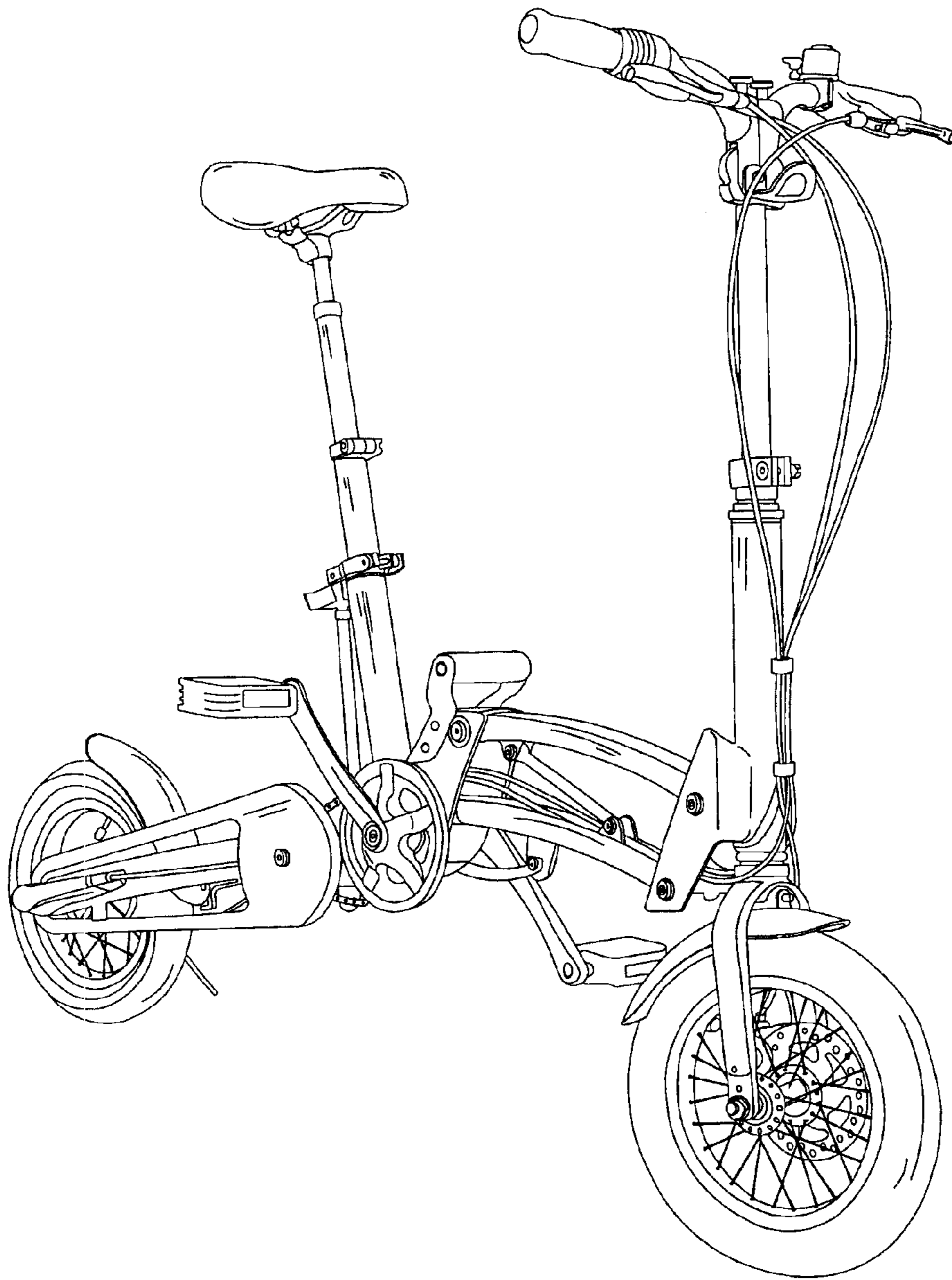


FIG. 7

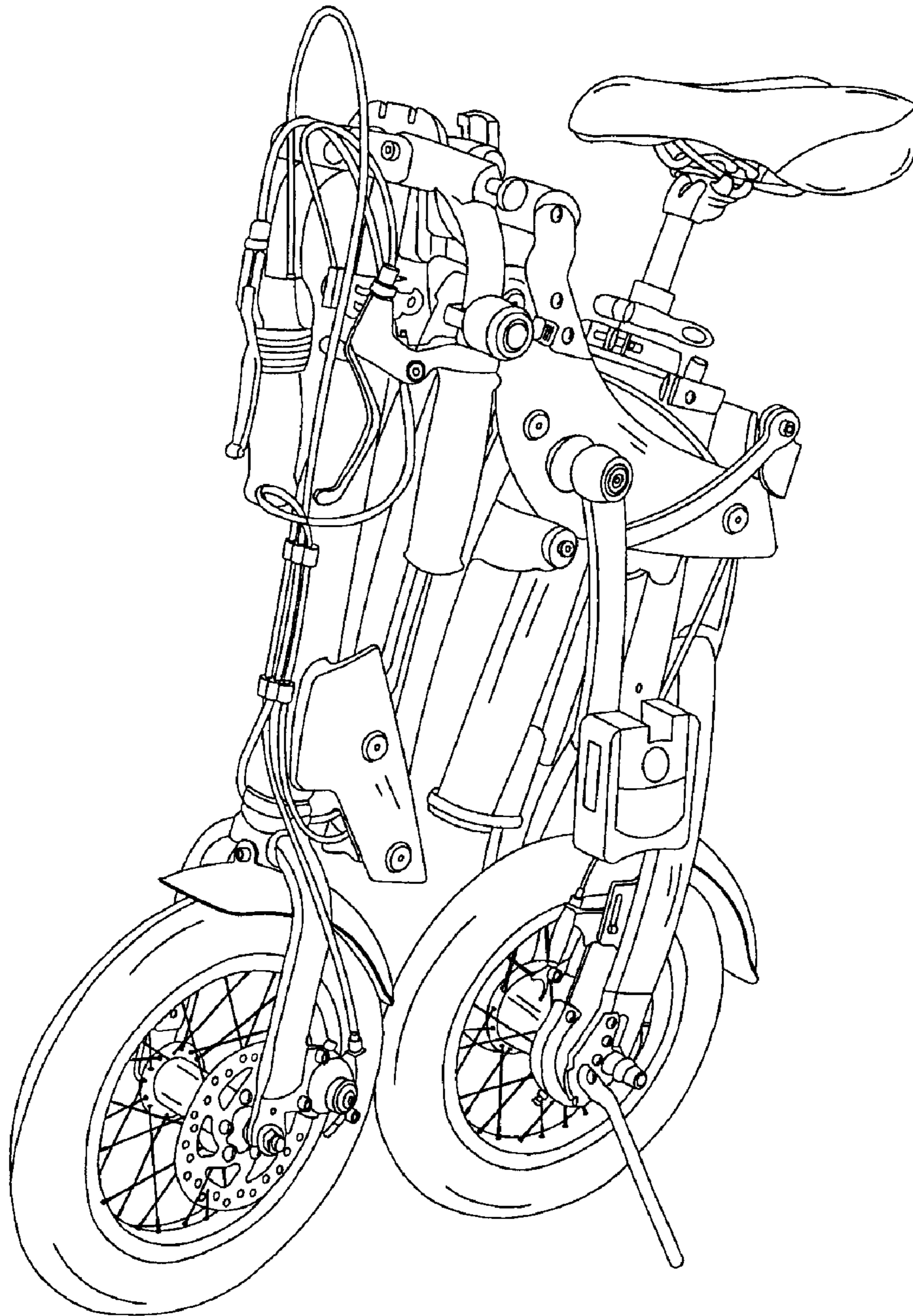


FIG. 8