



US00D536644S

(12) **United States Design Patent** (10) **Patent No.:** **US D536,644 S**
Shimoguchi et al. (45) **Date of Patent:** **** Feb. 13, 2007**

(54) **MOTOR VEHICLE AND TOY REPLICA THEREOF**

Public relations material, 2003, Ford Motor Company, Ford F-150.

(75) Inventors: **Kenta Shimoguchi**, Aichi-ken (JP); **Takayasu Furukawa**, Aichi-ken (JP); **Yusuke Fukushima**, Tokyo (JP); **Hideo Karikomi**, Tokyo (JP)

* cited by examiner

Primary Examiner—Melody N. Brown
(74) *Attorney, Agent, or Firm*—Finnegan, Henderson, Farabow, Garrett & Dunner, L.L.P.

(73) Assignee: **Toyota Jidosha Kabushiki Kaisha**, Aichi-ken (JP)

(57) **CLAIM**

(**) Term: **14 Years**

The ornamental design for a motor vehicle and toy replica thereof, as shown and described.

(21) Appl. No.: **29/253,263**

DESCRIPTION

(22) Filed: **Feb. 3, 2006**

(51) **LOC (8) Cl.** **12-08**

(52) **U.S. Cl.** **D12/98**

(58) **Field of Classification Search** D12/98,
D12/93; 296/181.2, 181.3

See application file for complete search history.

FIG. 1 is a right-front, perspective view of a motor vehicle and toy replica thereof of our new design, the left-front perspective view being a mirror image thereof, with the exception of the windshield wiper assemblies which are not symmetric, and the door over the gas cap, which is not present on the left side;

FIG. 2 is a right-rear, perspective view thereof, the left-rear, perspective view being a mirror image thereof, with the exception of the door over the gas cap, which is not present on the left side;

FIG. 3 is a right-side view of thereof, the left-side view being a mirror image thereof, with the exception of the windshield wiper assemblies which are not symmetric, and the door over the gas cap, which is not present on the left side;

FIG. 4 is a front view thereof;

FIG. 5 is a rear view thereof; and,

FIG. 6 is a top view thereof.

As used herein, right and left refer to the orientation of the design depicted in the figures above, not the right and left sides of the vehicle depicted.

(56) **References Cited**

U.S. PATENT DOCUMENTS

| | | | |
|------------|-----------|------------------|--------|
| D478,844 S | 8/2003 | Hayashi et al. | |
| D481,333 S | * 10/2003 | Fukushima | D12/98 |
| D481,656 S | * 11/2003 | Fukushima | D12/98 |
| D494,105 S | * 8/2004 | Hall et al. | D12/98 |
| D508,440 S | * 8/2005 | Hall et al. | D12/98 |
| D509,772 S | 9/2005 | Hattori et al. | |
| D517,449 S | * 3/2006 | Depeyster et al. | D12/98 |
| D522,919 S | * 6/2006 | Teot | D12/98 |

OTHER PUBLICATIONS

Brochure of Tacoma, 2004, Toyota Jidosha Kabushiki Kaisha, Toyota Tacoma (2 pages).
Brochure of Dodge Ram, Aug. 2003, Daimler Chrysler Coporation, Dodge Ram.

1 Claim, 3 Drawing Sheets





FIG. 1

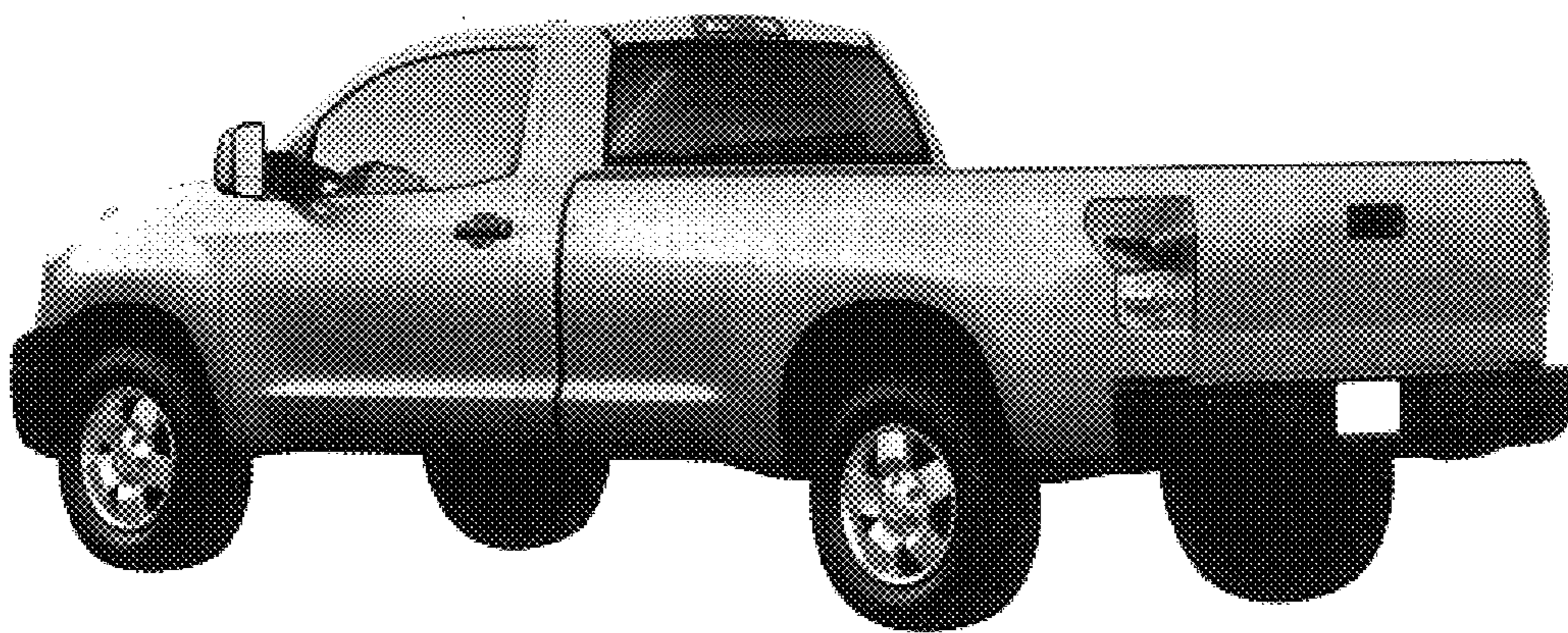


FIG. 2

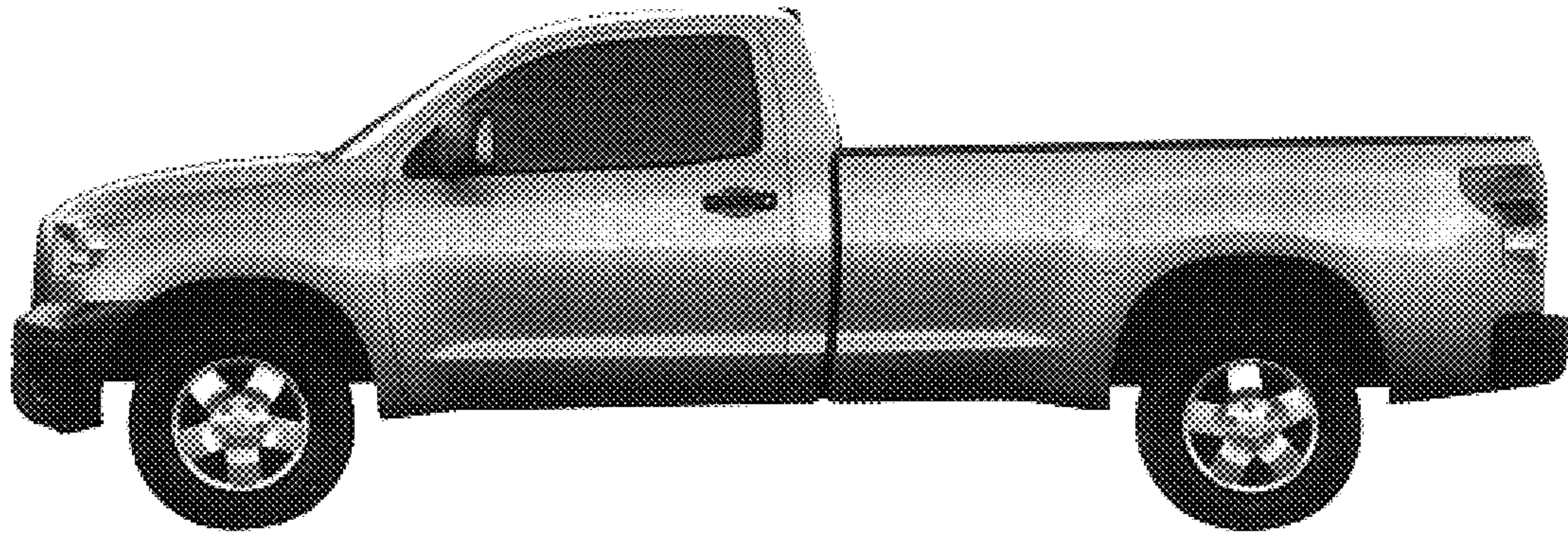


FIG. 3



FIG. 4

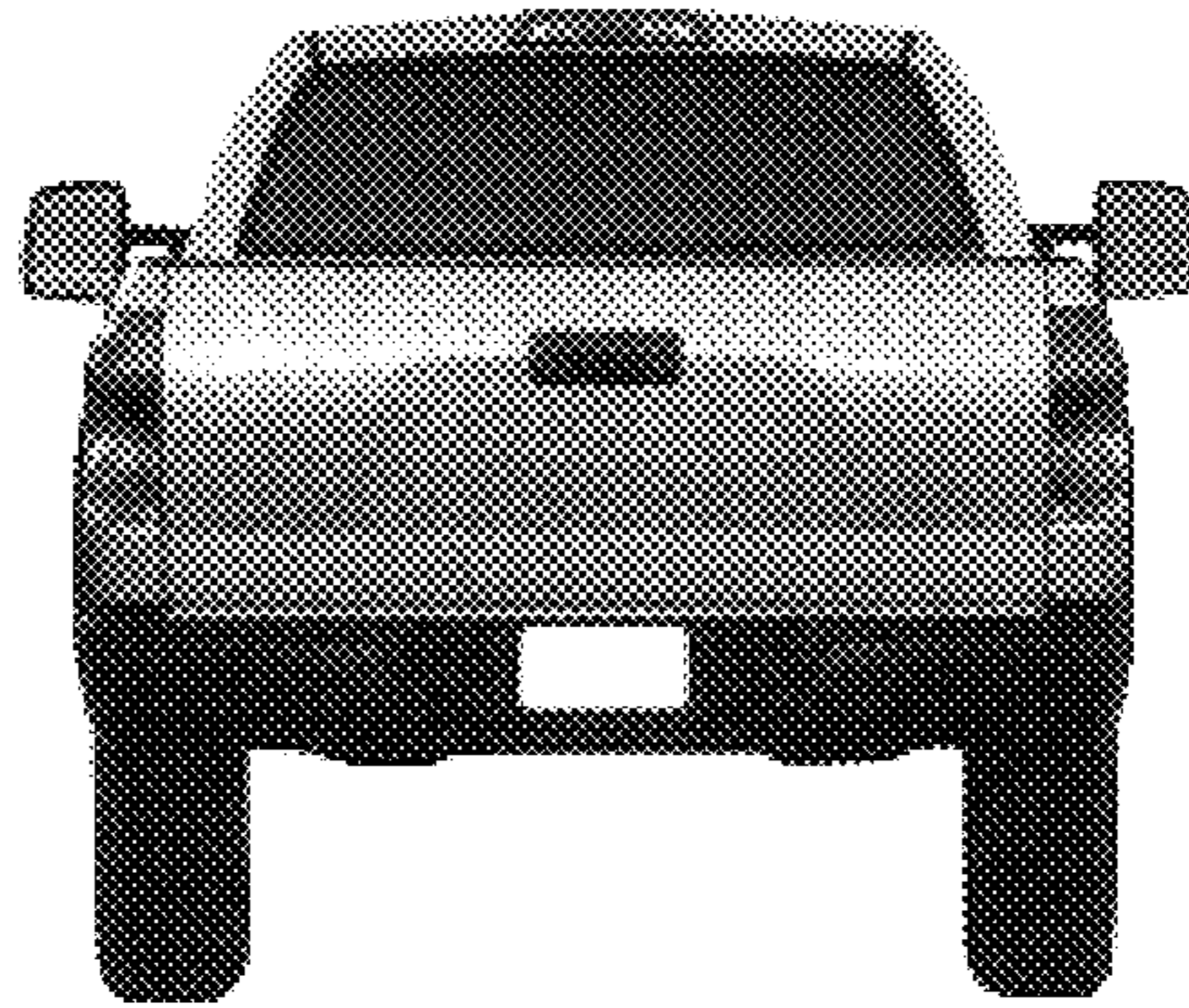


FIG. 5

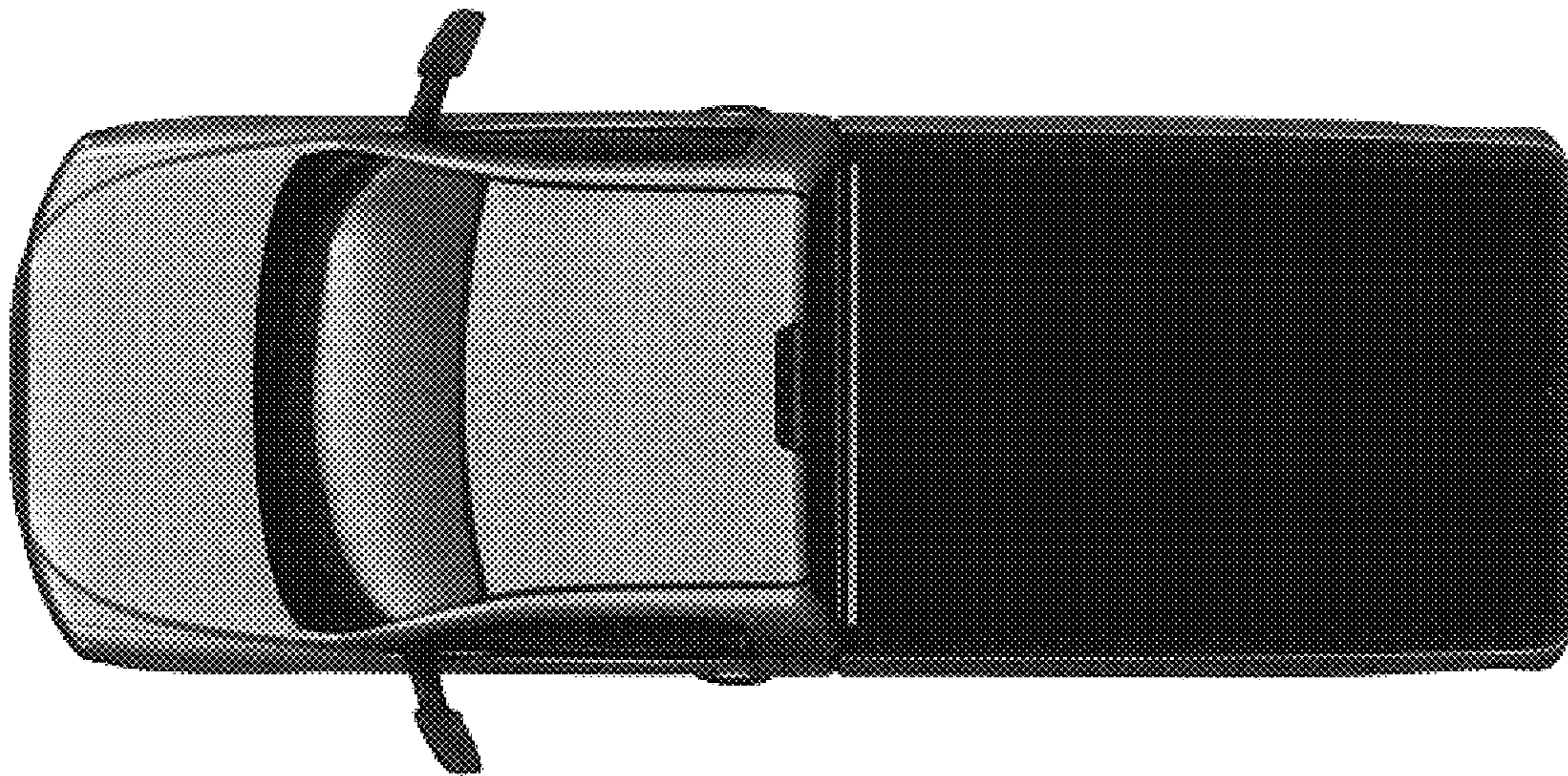


FIG. 6