



US00D536642S

(12) **United States Design Patent**
Pontaoe

(10) **Patent No.:** **US D536,642 S**

(45) **Date of Patent:** **** Feb. 13, 2007**

(54) **SIDE RELEASE BUCKLE**

D471,486 S * 3/2003 Uehara et al. D11/216
D496,302 S * 9/2004 Kaneko et al. D11/216

(75) Inventor: **John S. Pontaoe**, Chicago, IL (US)

* cited by examiner

(73) Assignee: **Illinois Tool Works Inc**, Glenview, IL (US)

Primary Examiner—Ralf Seifert
(74) *Attorney, Agent, or Firm*—Mark W. Croll; Paul F. Donovan

(**) Term: **14 Years**

(57) **CLAIM**

(21) Appl. No.: **29/258,466**

The ornamental design for a side release buckle, as shown and described herein.

(22) Filed: **Apr. 21, 2006**

(51) **LOC (8) Cl.** **02-07**

(52) **U.S. Cl.** **D11/216**

(58) **Field of Classification Search** D11/200,
D11/201, 208–210, 212–218, 220, 230–234,
D11/236–237, 86–87, 94; 63/15.2, 15; 24/307,
24/625, 616, 200, 196, 171, 169, 112, 614,
24/615

See application file for complete search history.

DESCRIPTION

FIG. 1 is a perspective view of a side release buckle showing the new design;
FIG. 2 is a top view thereof;
FIG. 3 is a bottom view thereof;
FIG. 4 is a right side view thereof;
FIG. 5 is a left side view thereof;
FIG. 6 is a front end view thereof; and,
FIG. 7 is a back end view thereof.

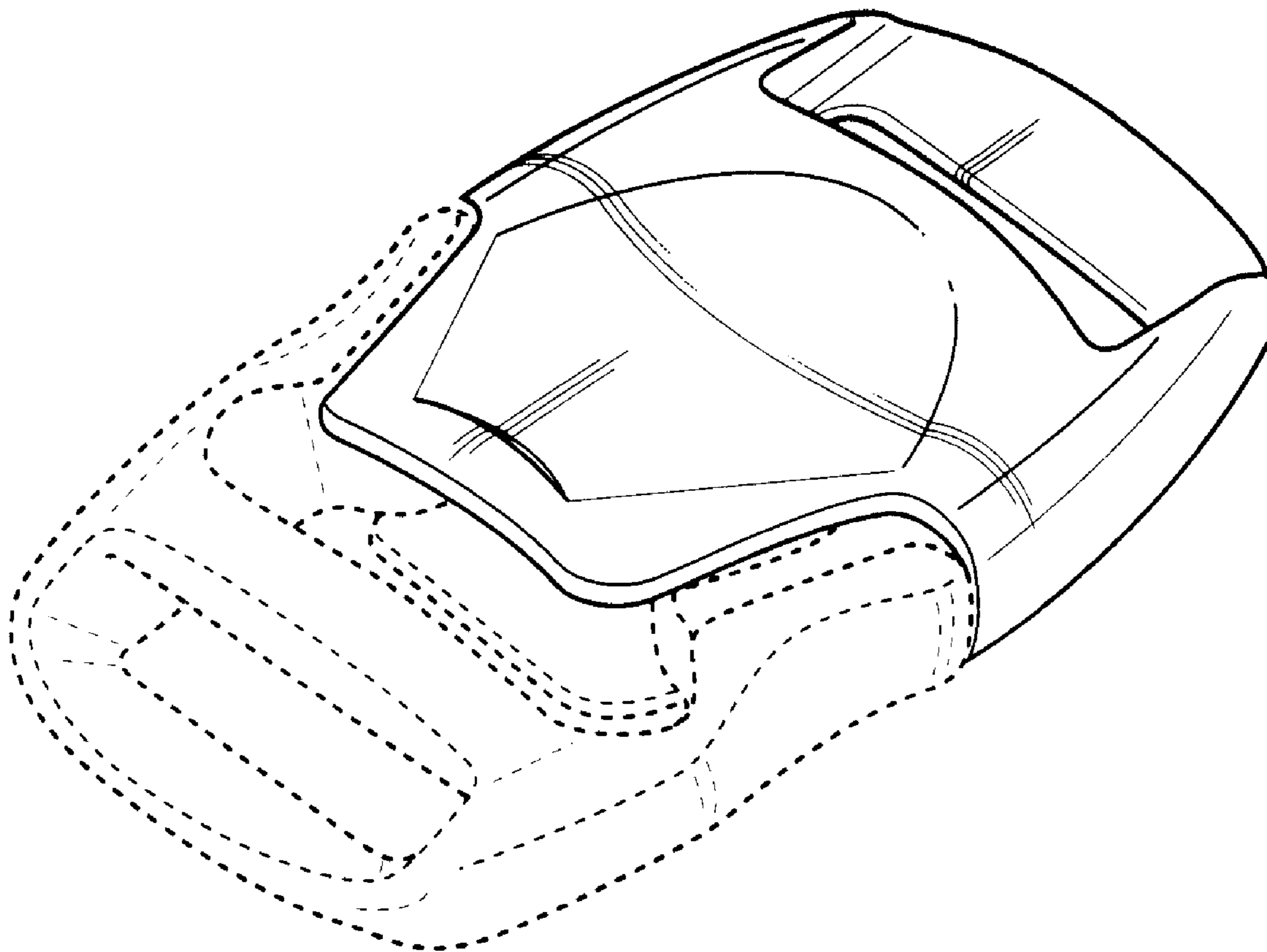
The broken line portions of the disclosure are for illustrative purposes only and form no part of the claimed design.

(56) **References Cited**

U.S. PATENT DOCUMENTS

D352,680 S * 11/1994 Matoba D11/216

1 Claim, 5 Drawing Sheets



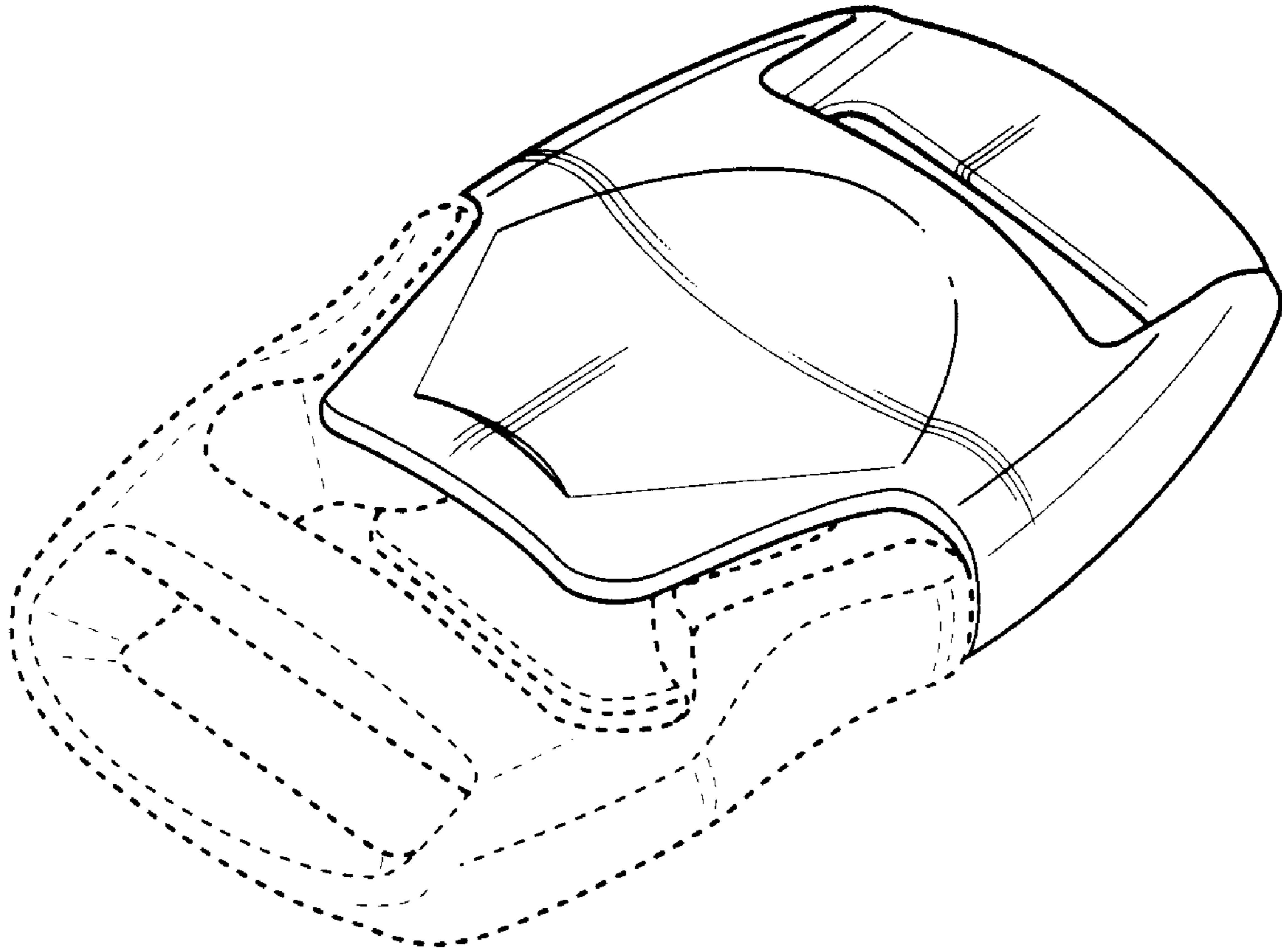


Fig. 1

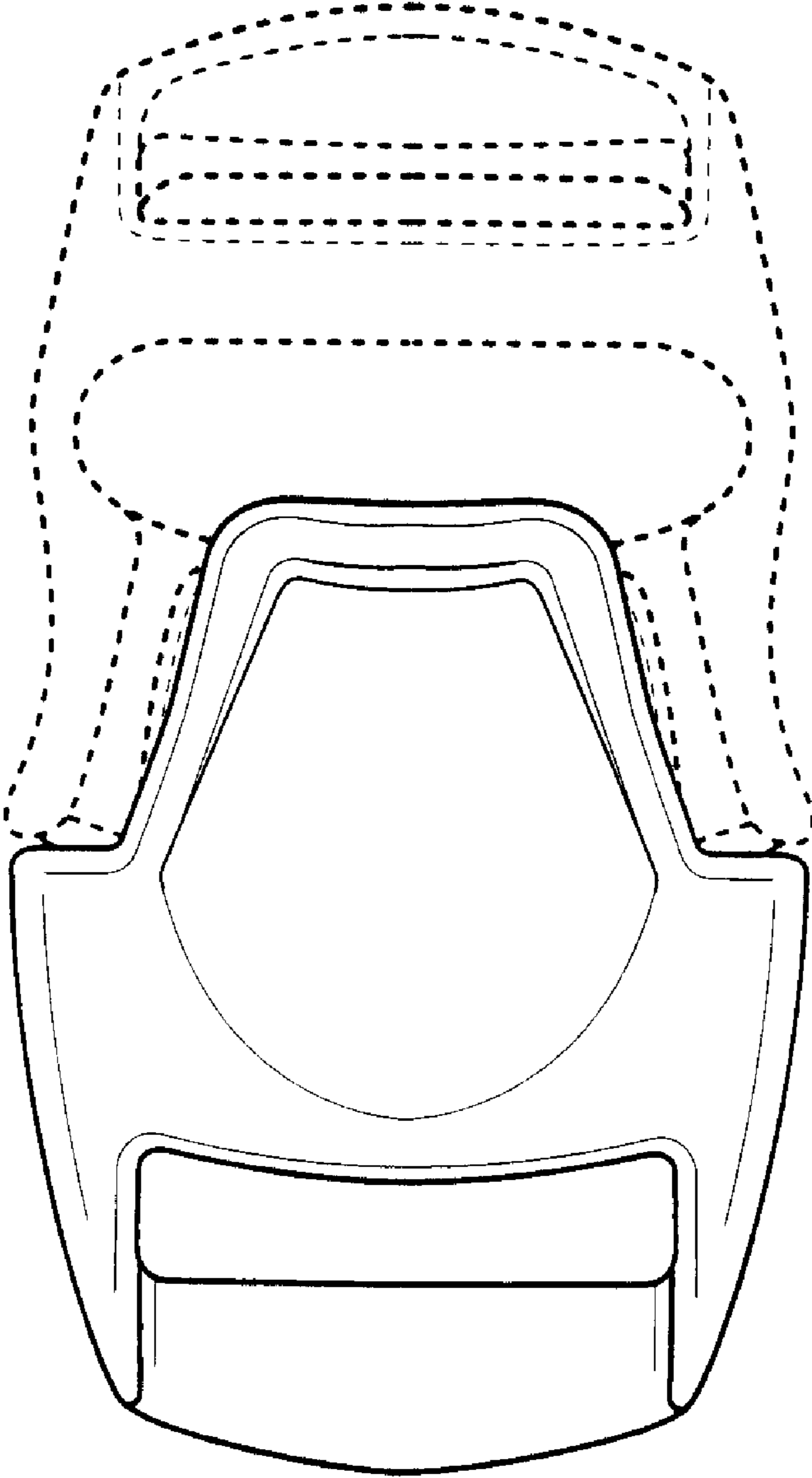


Fig. 2

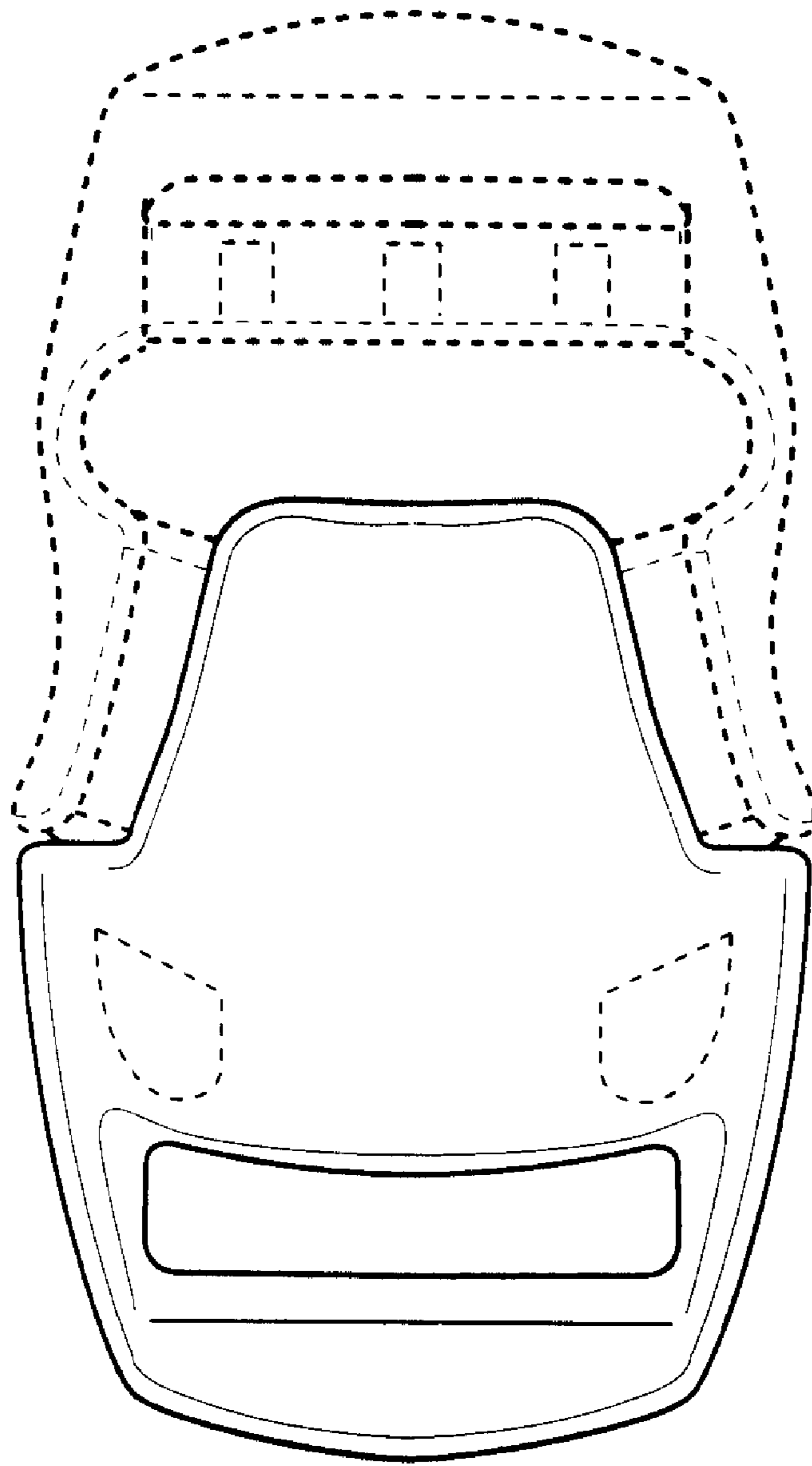


Fig. 3

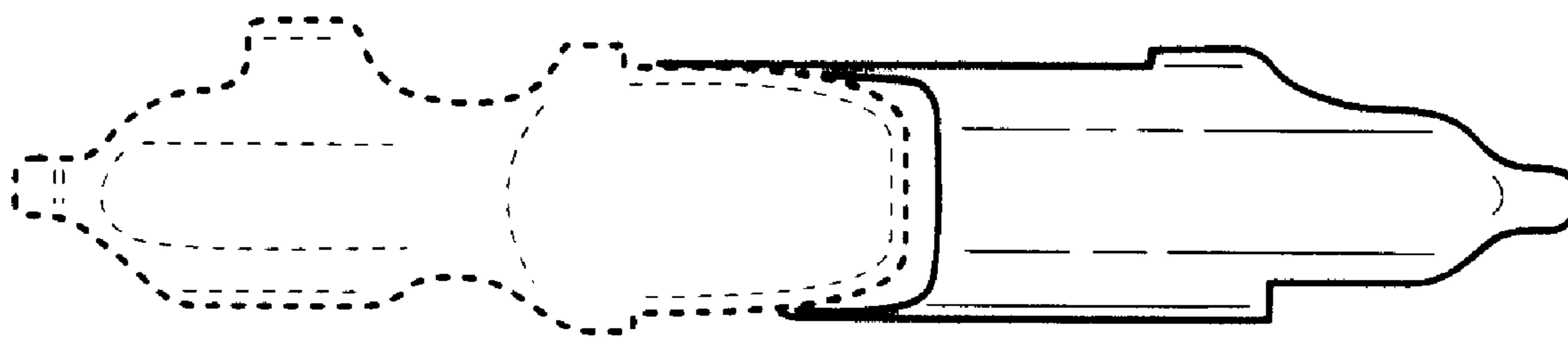


Fig. 4

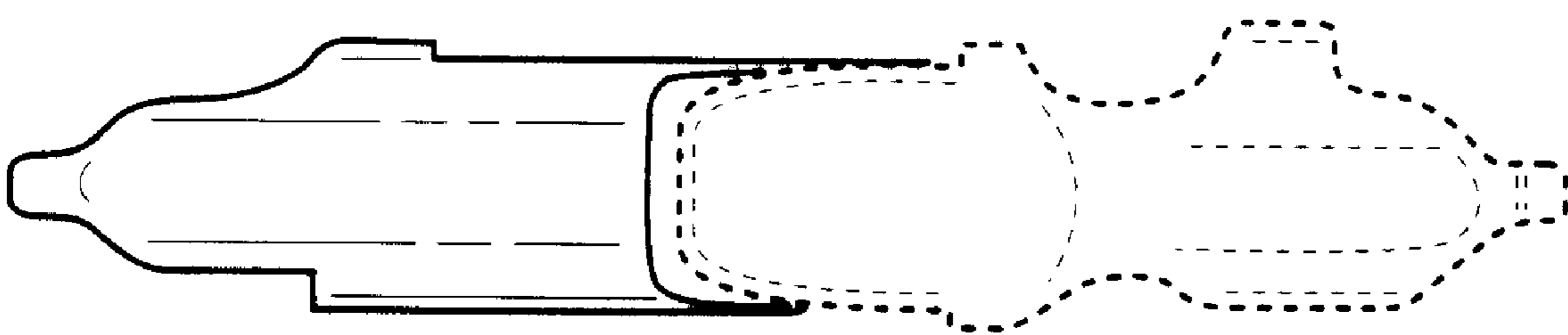


Fig. 5

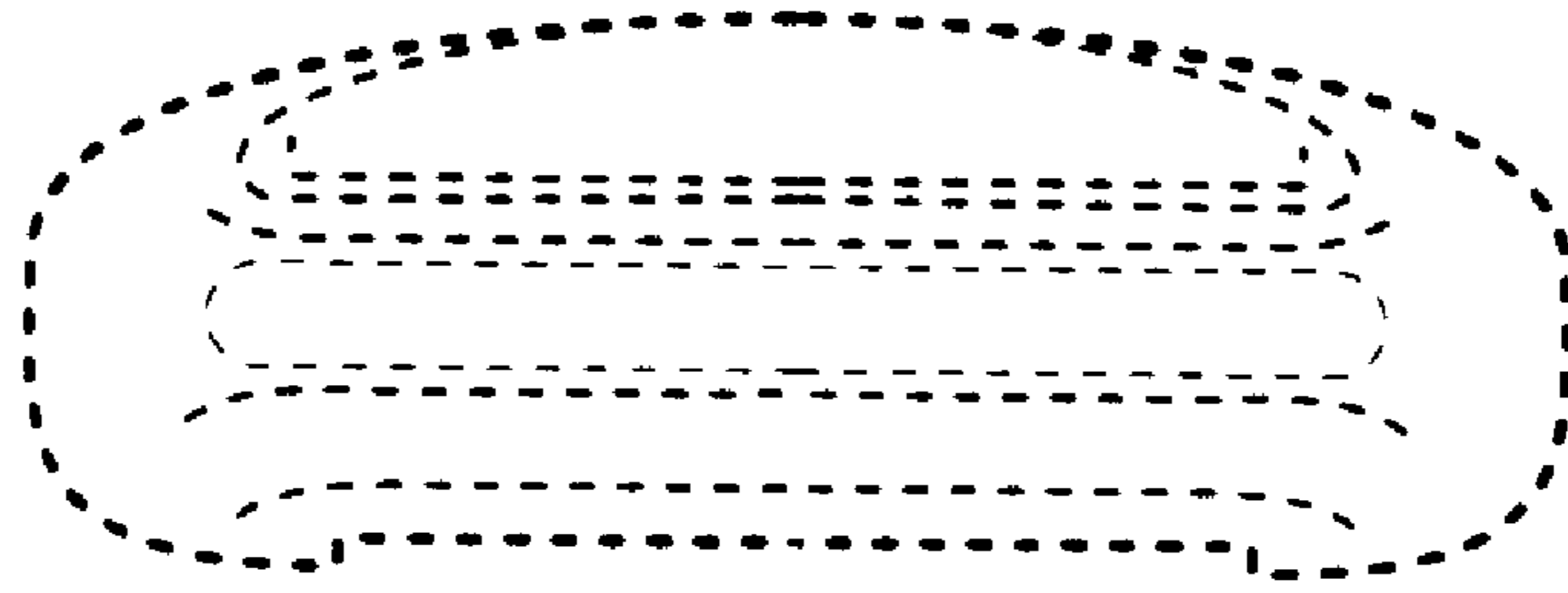


Fig. 6

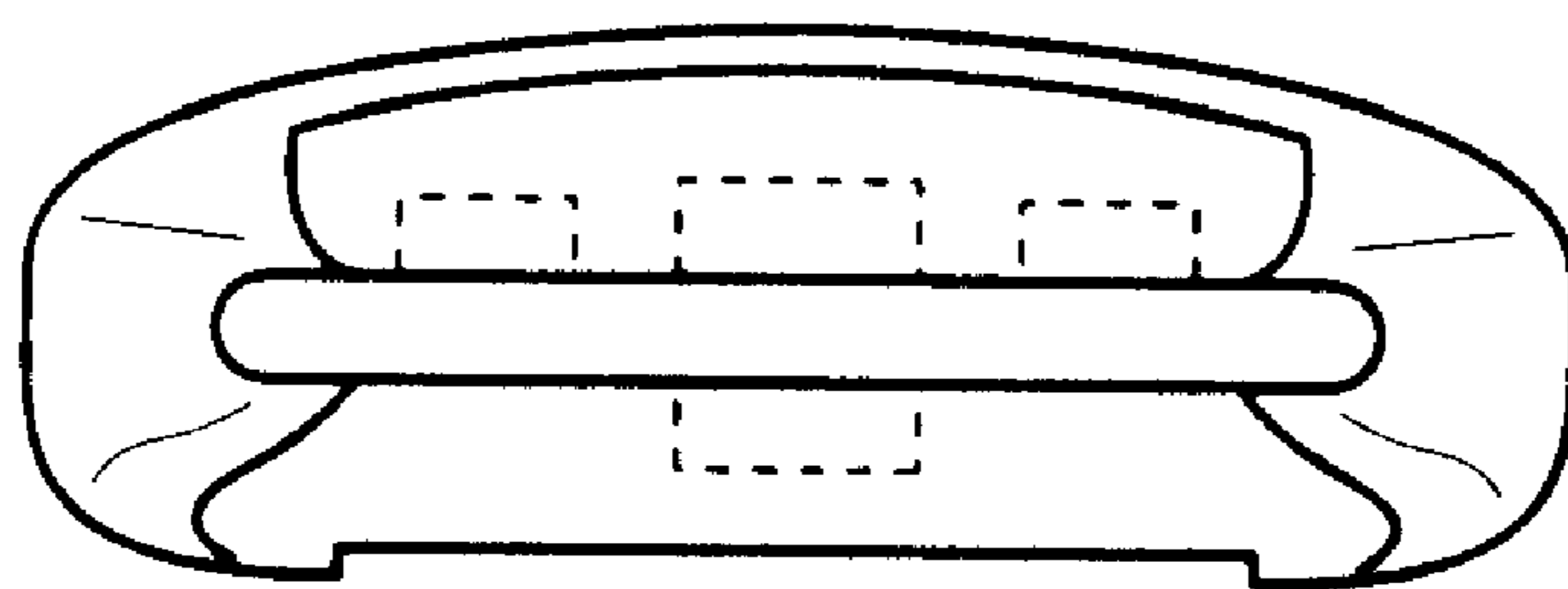


Fig. 7