



US00D536634S

(12) **United States Design Patent**  
**Cornfield**

(10) **Patent No.:** **US D536,634 S**

(45) **Date of Patent:** **\*\* Feb. 13, 2007**

(54) **DIAMOND**

(75) Inventor: **Robert Cornfield**, New York, NY (US)

(73) Assignee: **FTK Worldwide Manufacturing**, New York, NY (US)

(\*\*) Term: **14 Years**

(21) Appl. No.: **29/227,448**

(22) Filed: **Apr. 12, 2005**

(51) **LOC (8) Cl.** ..... **11-01**

(52) **U.S. Cl.** ..... **D11/90**

(58) **Field of Classification Search** ..... D11/1-2,  
D11/26-29, 89-92; 63/26-28, 32  
See application file for complete search history.

(56) **References Cited**

**U.S. PATENT DOCUMENTS**

- D330,344 S \* 10/1992 Hedgecock ..... D11/90
- D469,379 S \* 1/2003 Siebenberg ..... D11/90
- D477,789 S \* 7/2003 Sulimani ..... D11/90

- D493,383 S \* 7/2004 Gezovitch ..... D11/90
- D493,744 S \* 8/2004 Jacobs ..... D11/90
- D496,603 S \* 9/2004 Sung et al. .... D11/90
- D512,936 S \* 12/2005 Sung et al. .... D11/90

\* cited by examiner

*Primary Examiner*—Ralf Seifert

(74) *Attorney, Agent, or Firm*—Levisohn, Berger & Langsam, LLP

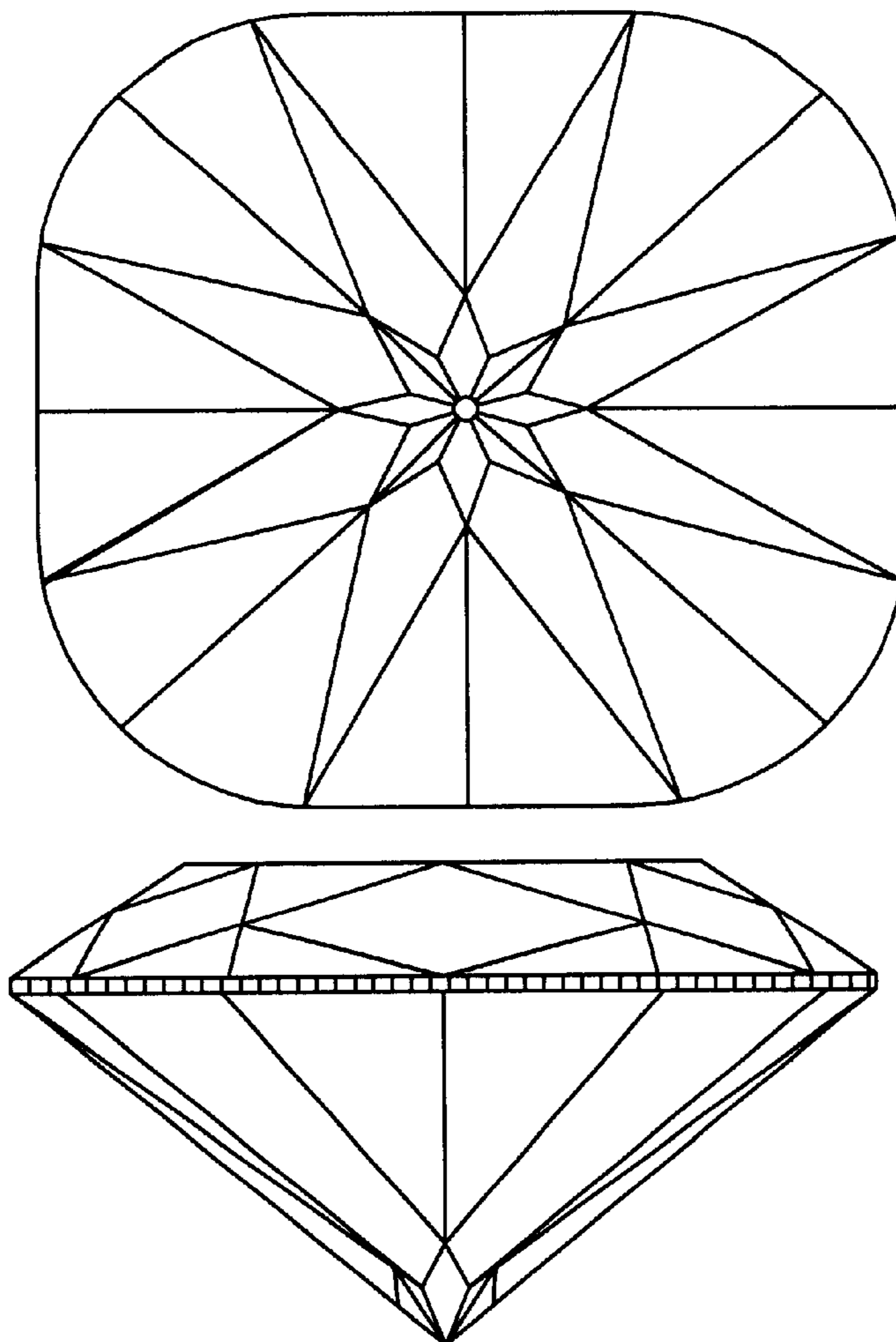
(57) **CLAIM**

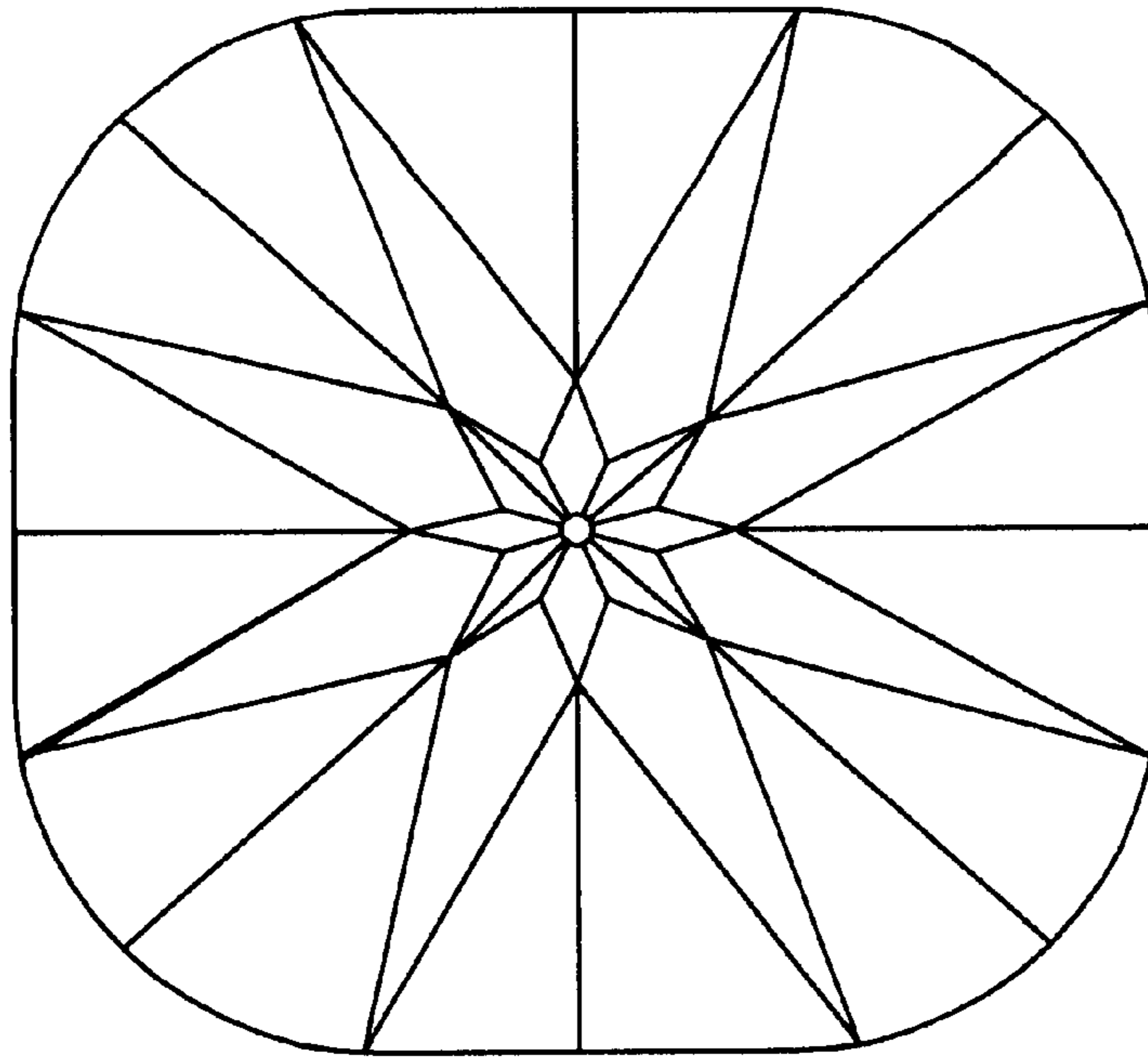
The ornamental design for a diamond, shown and described in the drawings.

**DESCRIPTION**

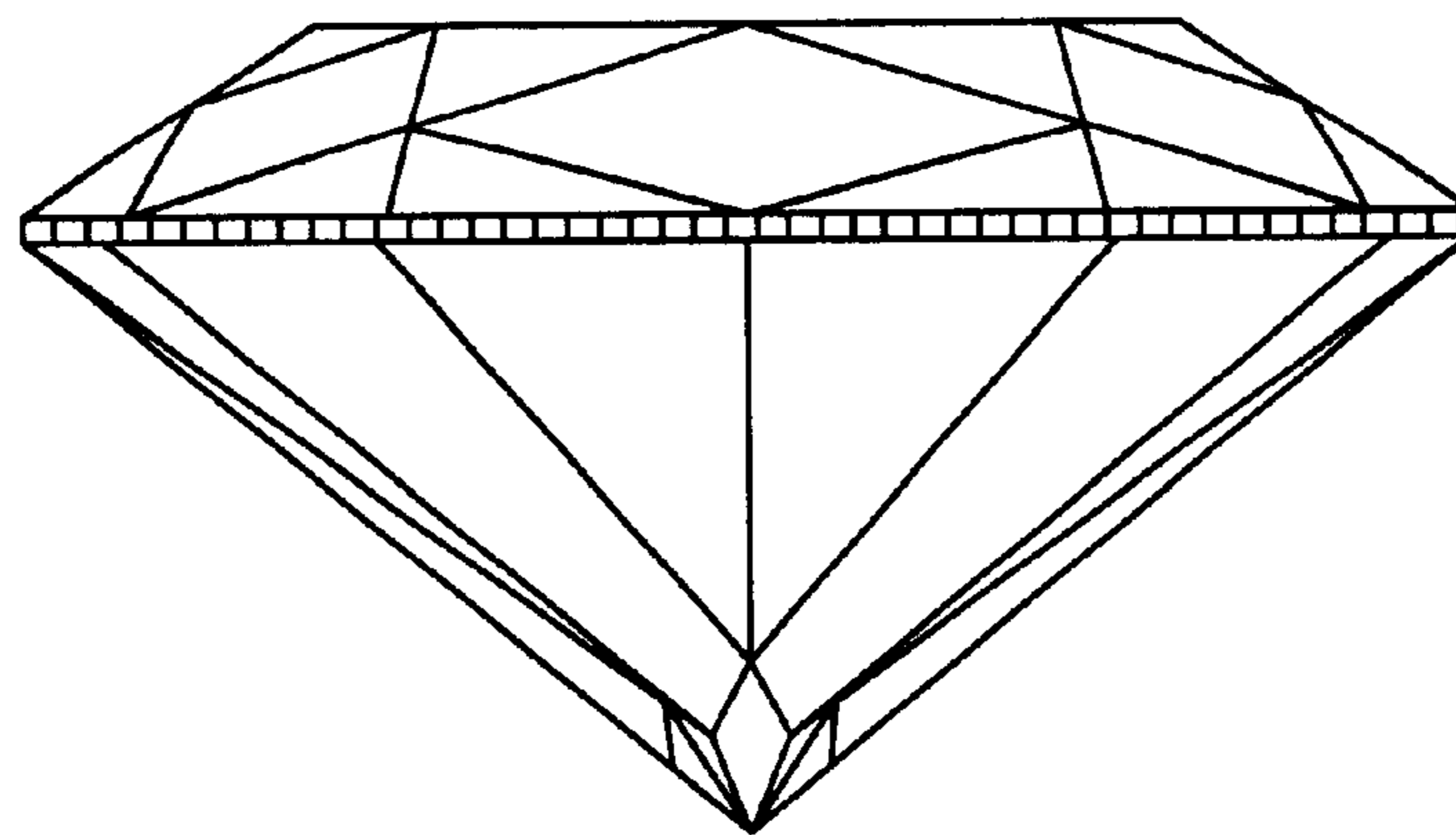
FIG. 1 is bottom plan view of a diamond showing my new design; and, FIG. 2 is a side elevational view. The portions of the diamond shown in broken lines in the Figures are for environmental purposes only and form no part of the claimed design.

**1 Claim, 1 Drawing Sheet**





*FIG. 1*



*FIG. 2*