



US00D536628S

(12) **United States Design Patent**
Roth

(10) **Patent No.:** **US D536,628 S**

(45) **Date of Patent:** **** Feb. 13, 2007**

(54) **WATCH CASE**

(75) **Inventor:** **Philippe Roth**, Neuchâtel (CH)

(73) **Assignee:** **Tag Heuer SA** (CH)

(**) **Term:** **14 Years**

(21) **Appl. No.:** **29/239,434**

(22) **Filed:** **Sep. 29, 2005**

(30) **Foreign Application Priority Data**

Mar. 30, 2005 (WO) DM/066 491

(51) **LOC (8) Cl.** **10-02**

(52) **U.S. Cl.** **D10/38**

(58) **Field of Classification Search** D10/30-39;
368/276, 281, 282, 283, 285, 21, 223, 228,
368/232, 319

See application file for complete search history.

(56) **References Cited**

U.S. PATENT DOCUMENTS

2,361,563 A * 10/1944 Pellaton 368/80
D195,421 S * 6/1963 Huguenin D10/39
5,226,023 A * 7/1993 Grimm 368/223
D352,006 S * 11/1994 Giardiello D10/30
D352,470 S * 11/1994 Besson D10/39

5,649,381 A * 7/1997 Studer 40/633
D418,427 S * 1/2000 Fichter D10/30
D457,817 S * 5/2002 Brandt D10/39
D471,115 S * 3/2003 Buechner D10/39
D474,118 S * 5/2003 Monachon D10/32
D493,730 S * 8/2004 Monachon D10/32
D517,432 S * 3/2006 Laucella D10/39
D524,171 S * 7/2006 Monachon D10/32

* cited by examiner

Primary Examiner—Lucy Lieberman

(74) *Attorney, Agent, or Firm*—Lott & Friedland, P.A.

(57) **CLAIM**

The ornamental design for a watch case, substantially as shown and described.

DESCRIPTION

FIG. 1 is a perspective view of the watch case of the present invention;

FIG. 2 is a front view of the watch case;

FIG. 3 is a rear view of the watch case;

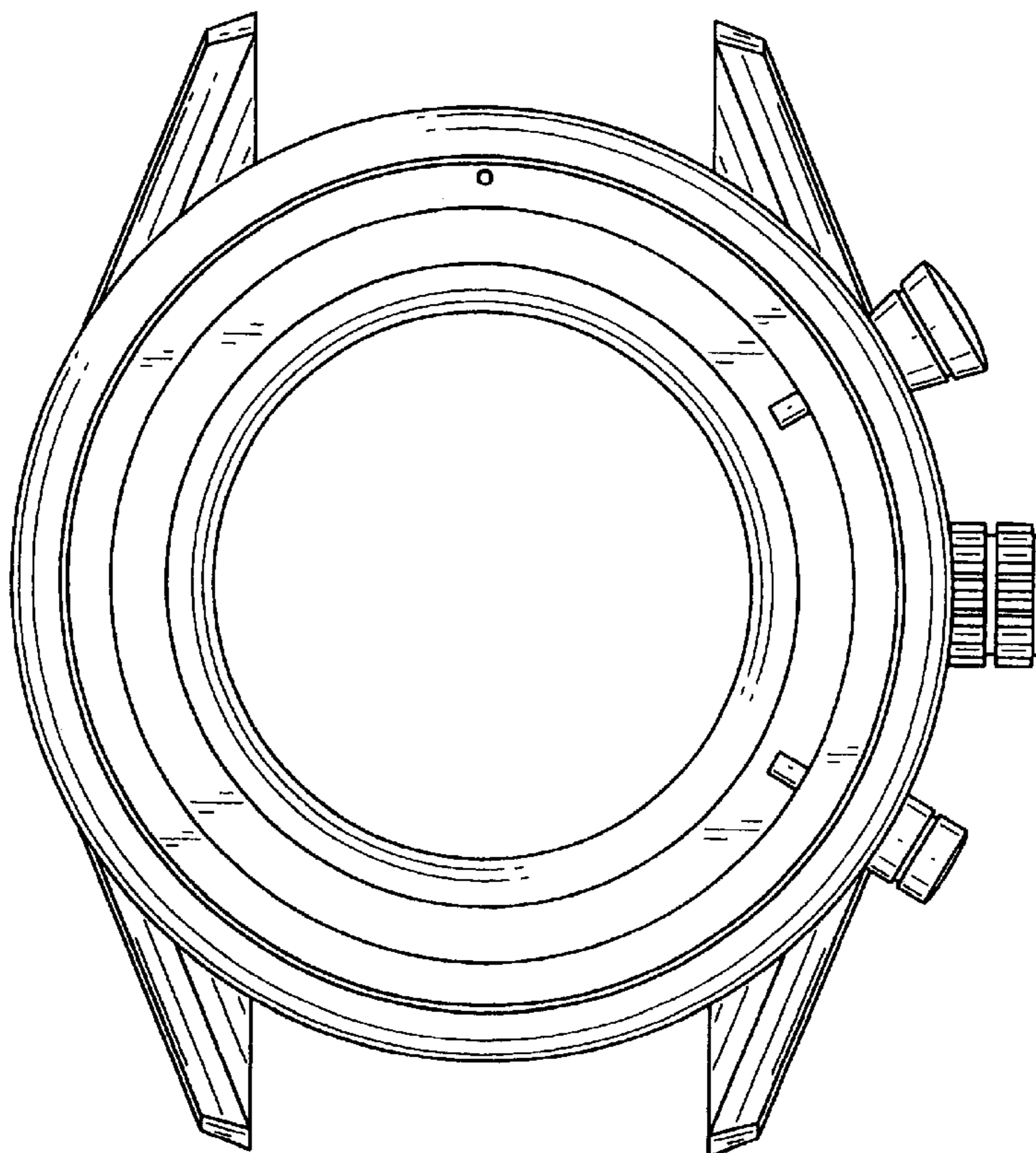
FIG. 4 is a left side elevational view of the watch case;

FIG. 5 is a right side elevational view of the watch case;

FIG. 6 is a top view of the watch case; and,

FIG. 7 is a bottom view of the watch case.

1 Claim, 5 Drawing Sheets



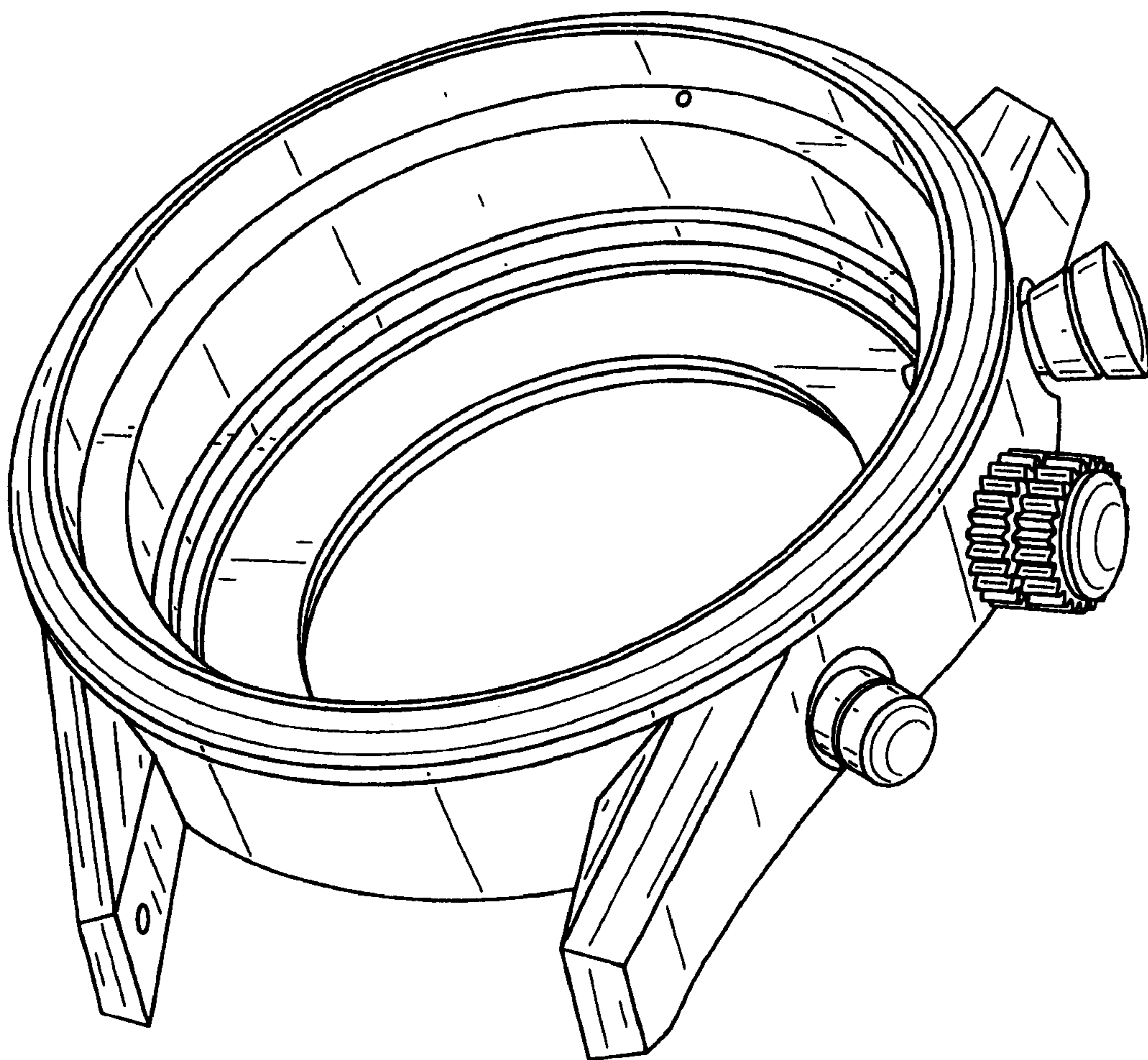


FIG. 1

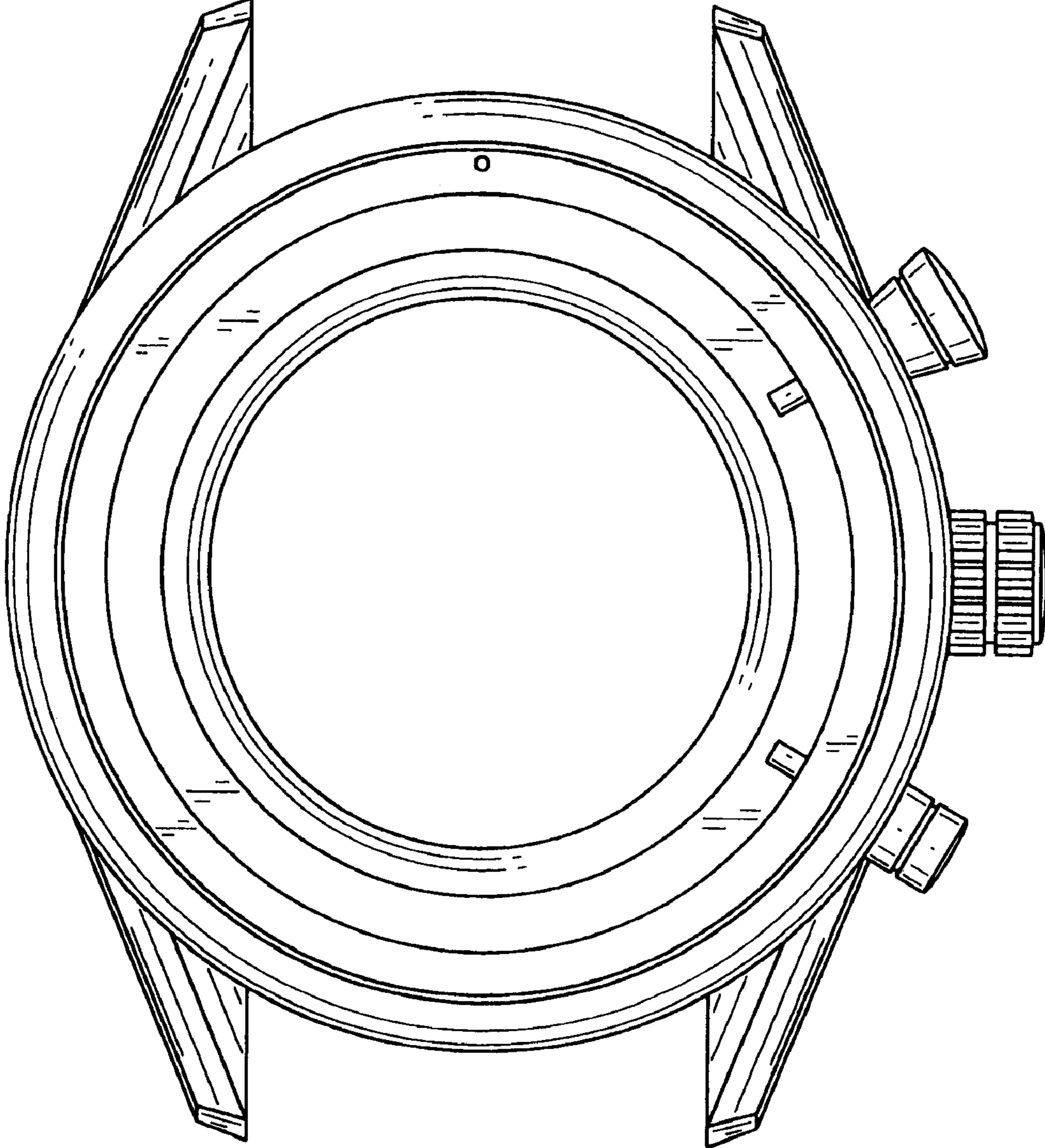


FIG. 2

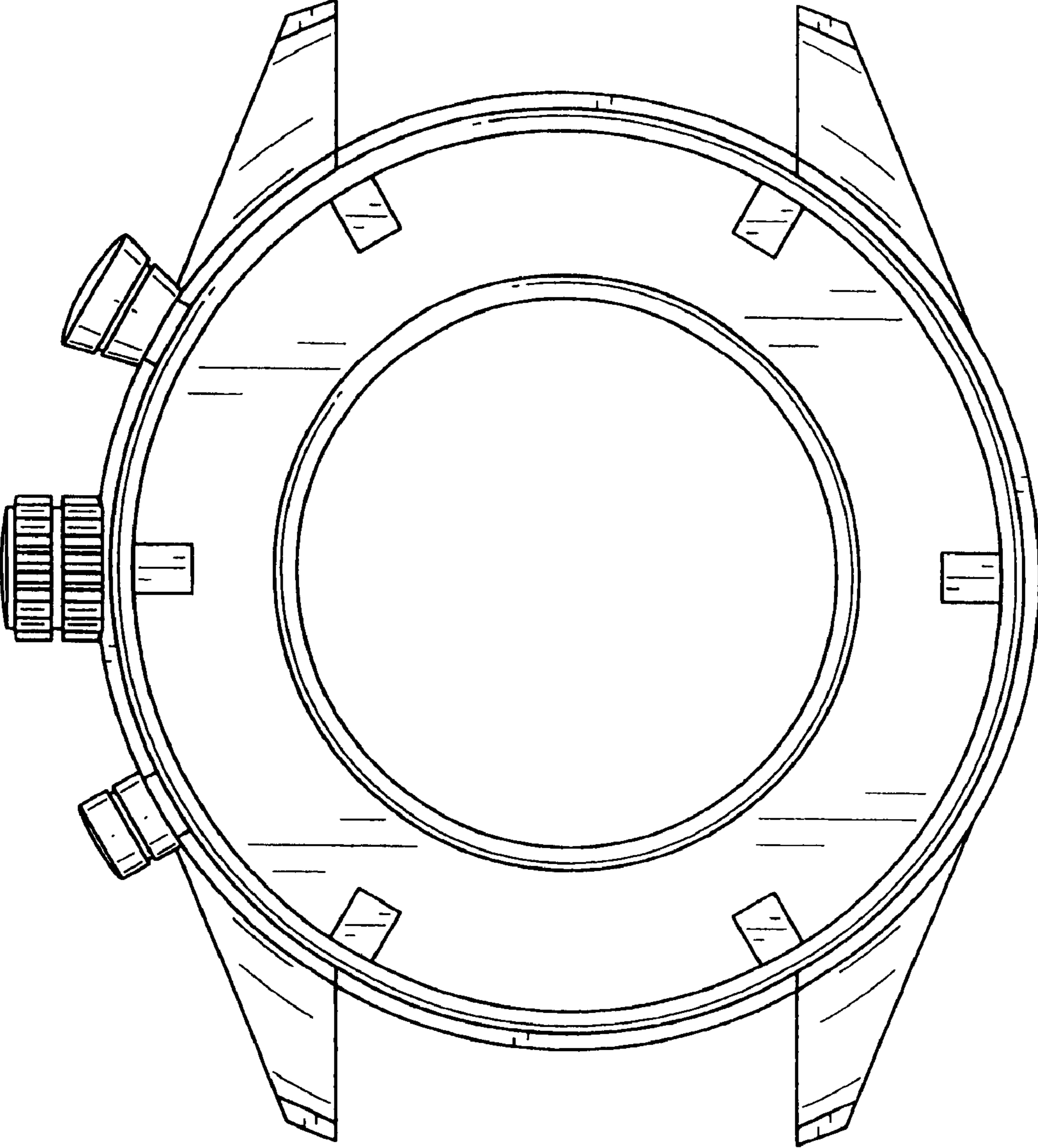


FIG. 3

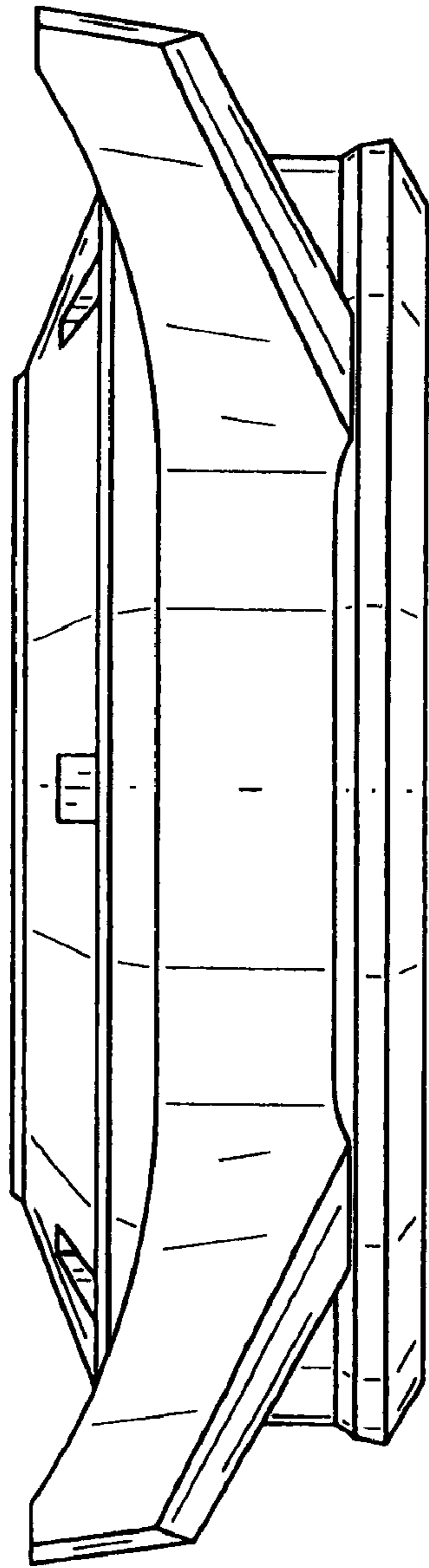


FIG. 4

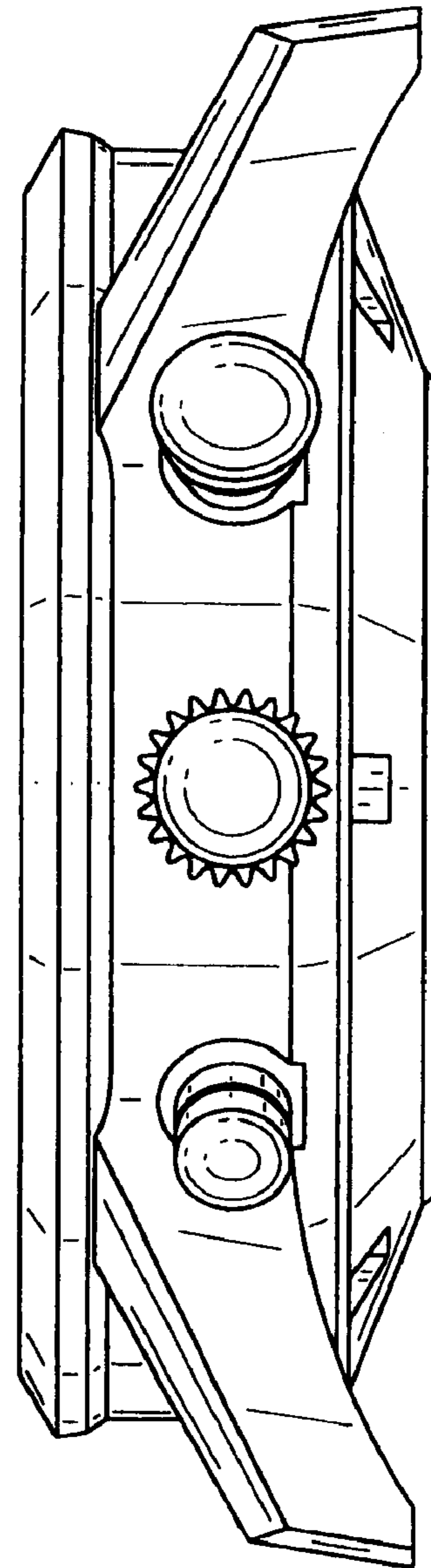


FIG. 5

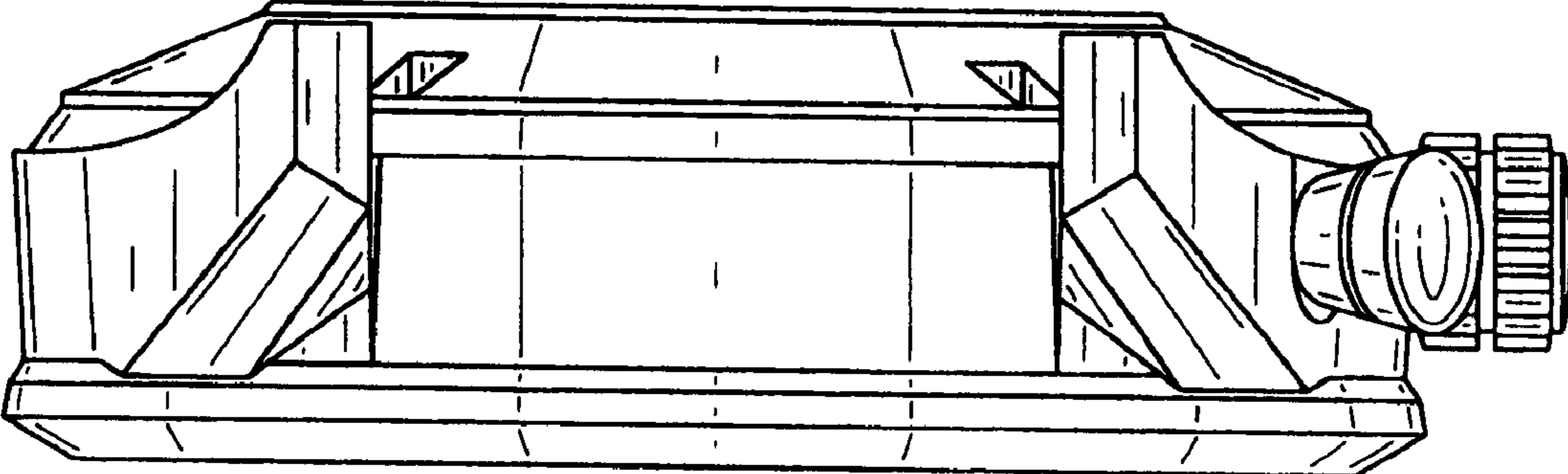


FIG. 6

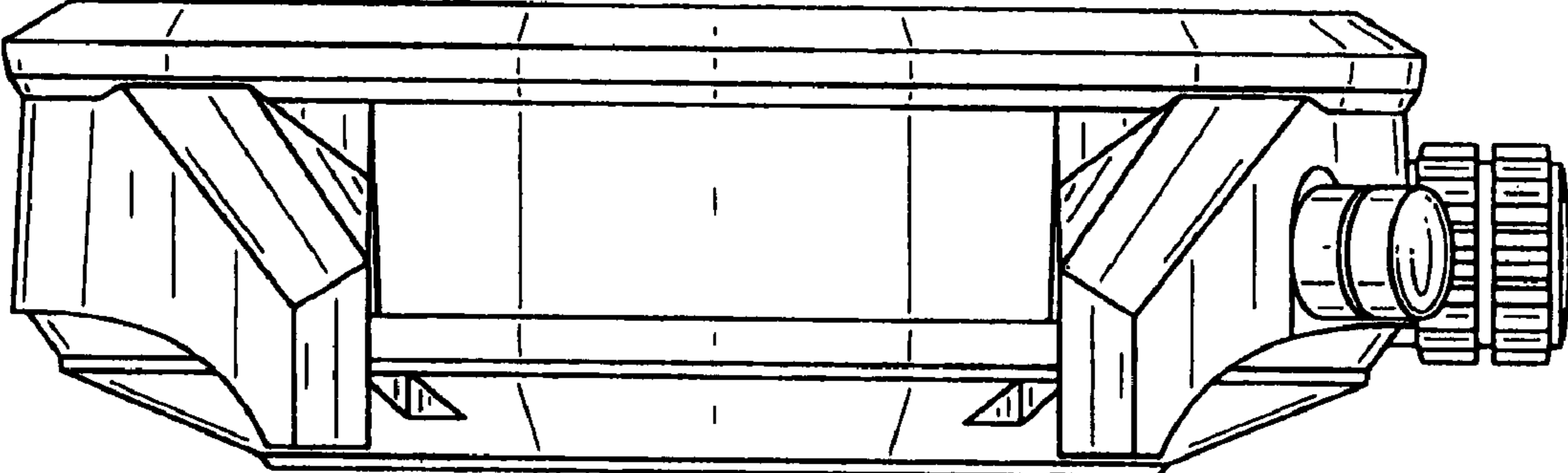


FIG. 7