



US00D536625S

(12) **United States Design Patent**
Bhavnani

(10) **Patent No.:** **US D536,625 S**

(45) **Date of Patent:** **** Feb. 13, 2007**

(54) **CLOCK WITH PENDULUM**

D364,356 S * 11/1995 Moore D10/29
D378,989 S * 4/1997 Odaka D10/26

(75) Inventor: **Dilip Bhavnani**, Beverly Hills, CA
(US)

OTHER PUBLICATIONS

(73) Assignee: **Sun Coast Merchandise Corporation**,
Commerce, CA (US)

Housewares, Oct. 21–27, 1986, p. 11, Seiko pendulum
clock.*

(**) Term: **14 Years**

* cited by examiner

(21) Appl. No.: **29/256,043**

Primary Examiner—Lucy Lieberman

(22) Filed: **Mar. 14, 2006**

(74) *Attorney, Agent, or Firm*—The Soni Law Firm

(51) **LOC (8) Cl.** **10-01**

(52) **U.S. Cl.** **D10/22**

(58) **Field of Classification Search** D10/1–29;
368/276, 285, 316, 317, 179–183, 278, 10,
368/79, 239–242, 82–84, 277

See application file for complete search history.

(57) **CLAIM**

The ornamental design for a clock with pendulum, as shown
and described.

(56) **References Cited**

DESCRIPTION

U.S. PATENT DOCUMENTS

177,137	A	*	5/1876	Lourdelet	368/179
248,716	A	*	10/1881	Davies	368/179
3,762,155	A	*	10/1973	Marble	368/10
D276,895	S	*	12/1984	Masuda	D10/22
D315,683	S	*	3/1991	Odaka	D10/24
D319,589	S	*	9/1991	Unruh et al.	D10/23
D335,633	S	*	5/1993	Wada	D10/28

FIG. 1 is a front side perspective view thereof with phantom
lines depicting environmental structure and forming no part
of the claimed design;

FIG. 2 is a front elevational view thereof with phantom lines
depicting environmental structure and forming no part of the
claimed design;

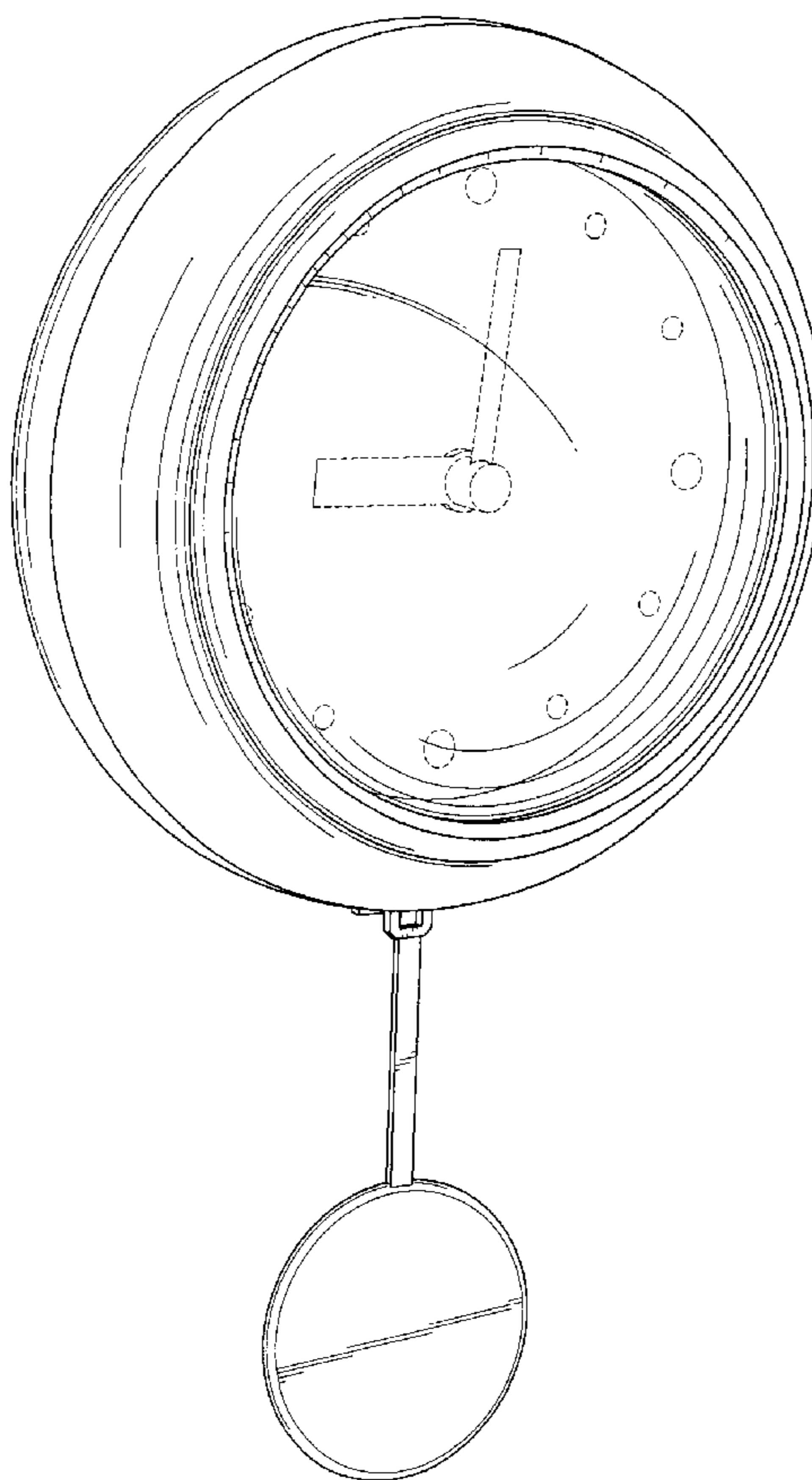
FIG. 3 is a side elevational view thereof;

FIG. 4 is a top plan view thereof;

FIG. 5 is a bottom plan view thereof; and,

FIG. 6 is a back elevational view thereof.

1 Claim, 5 Drawing Sheets



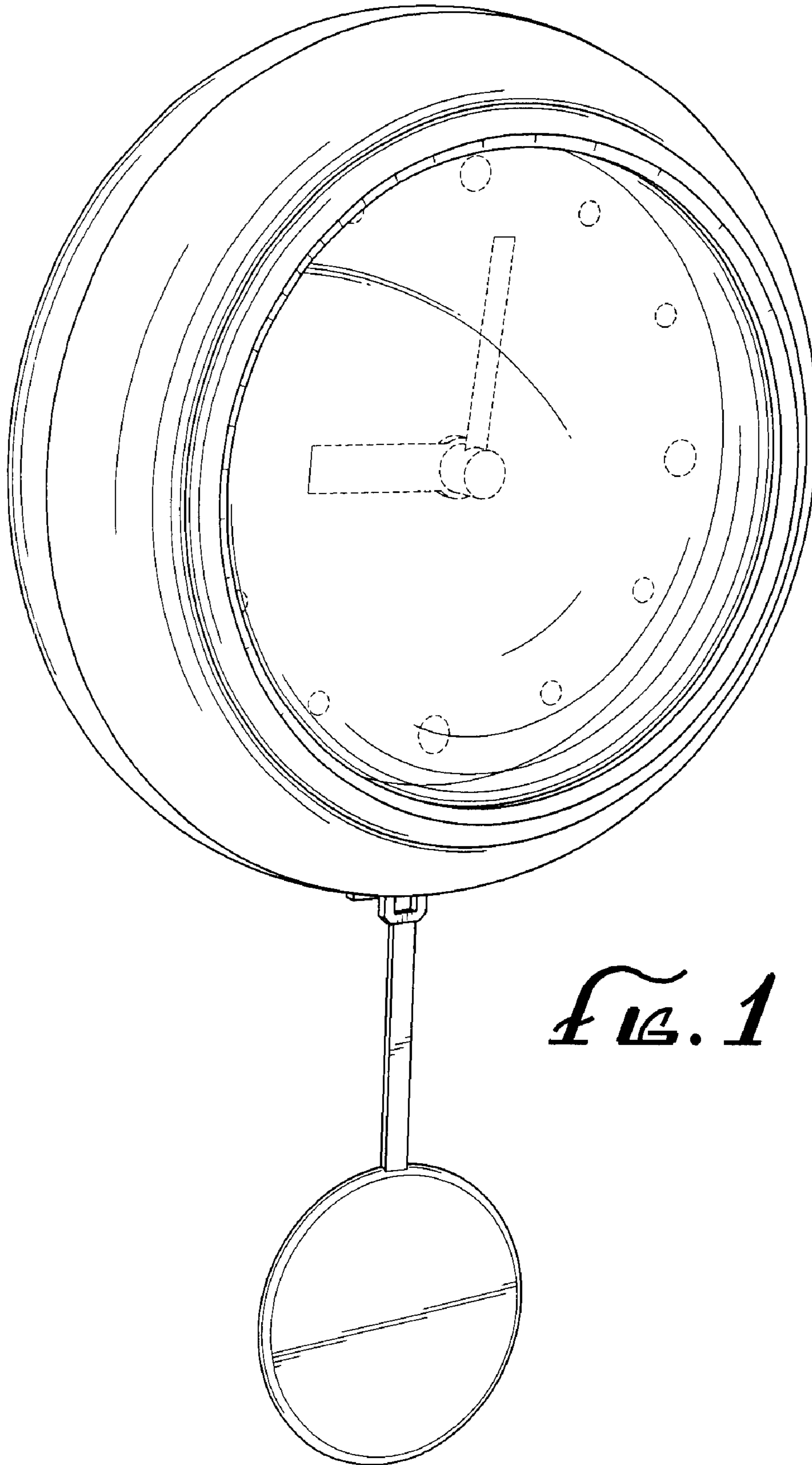


Fig. 1

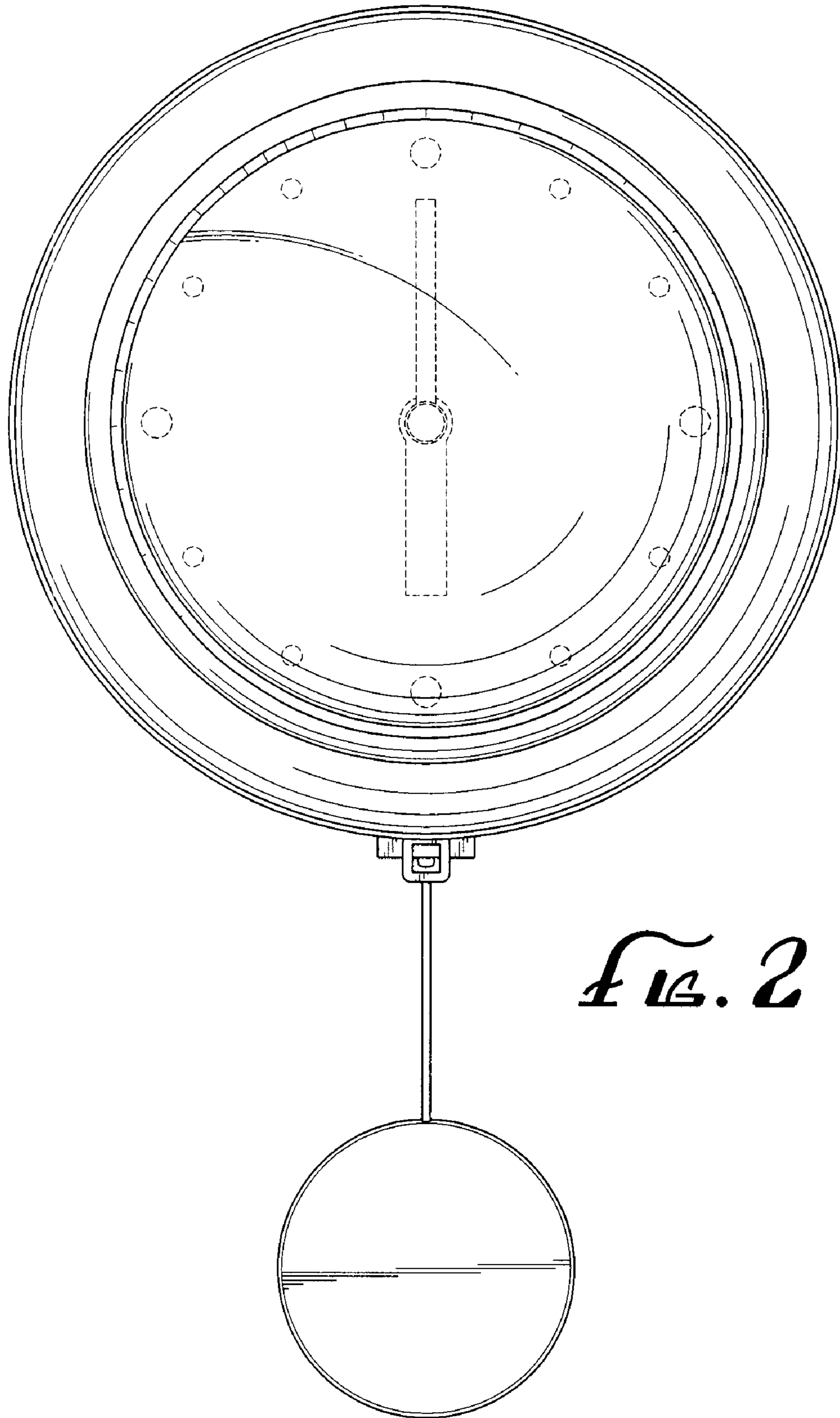


FIG. 2

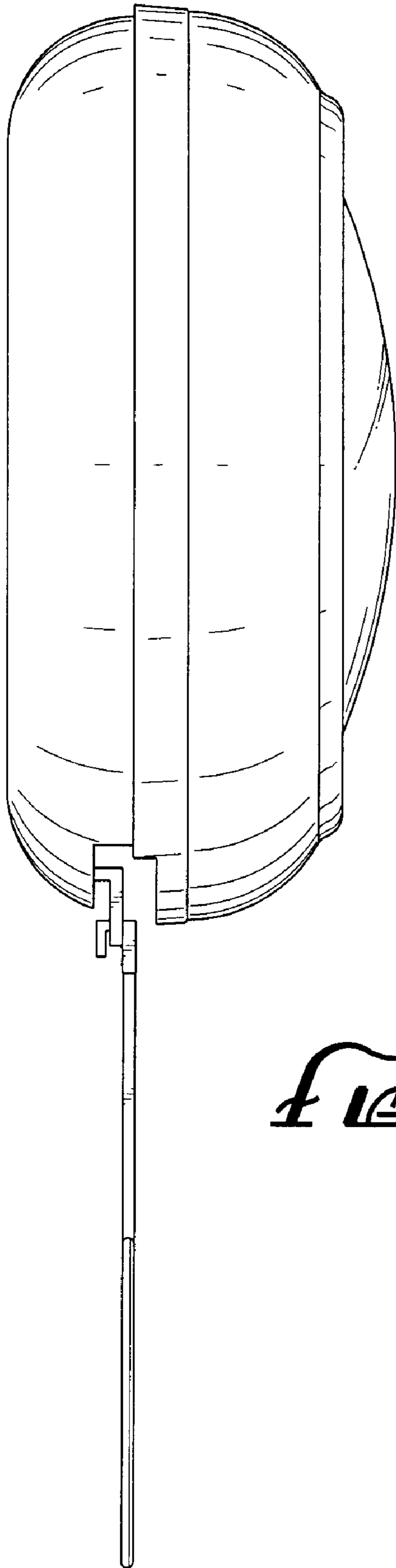


FIG. 3

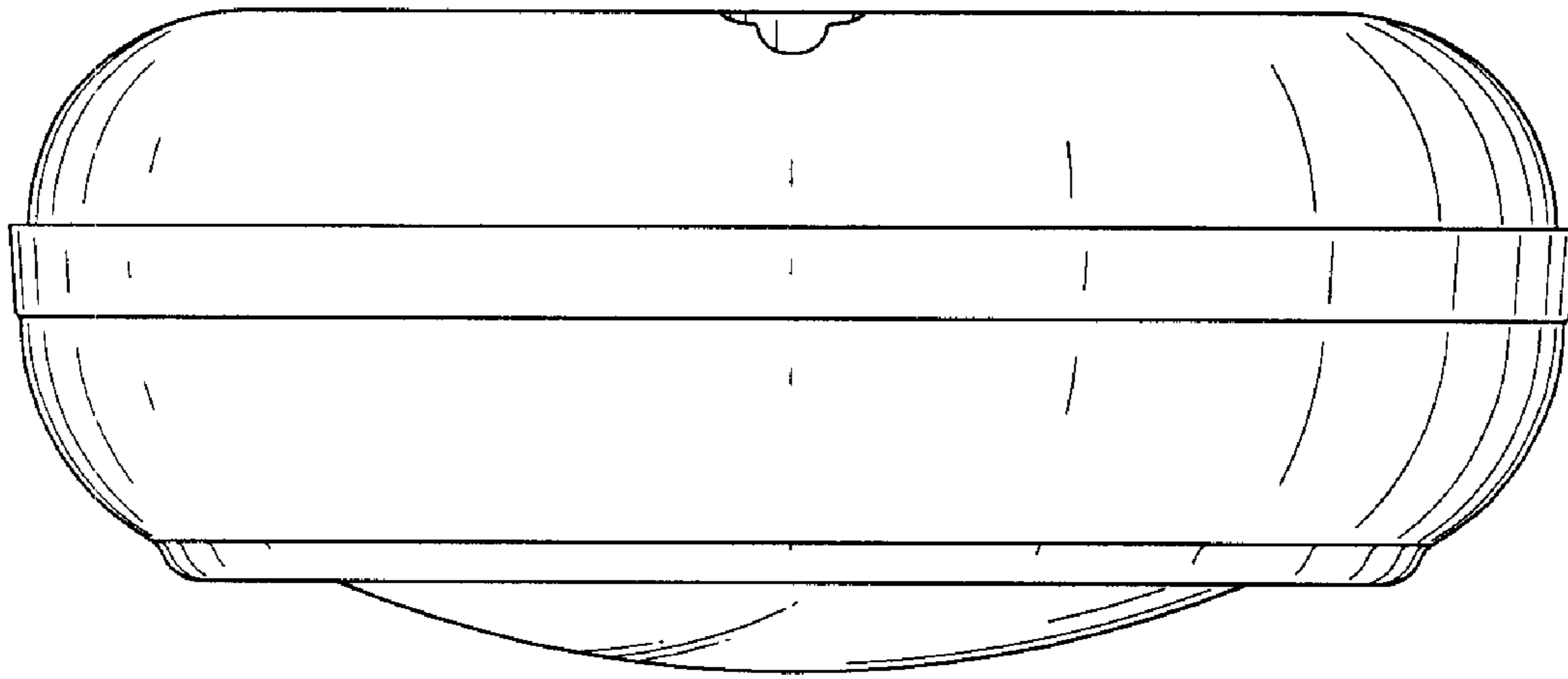


FIG. 4

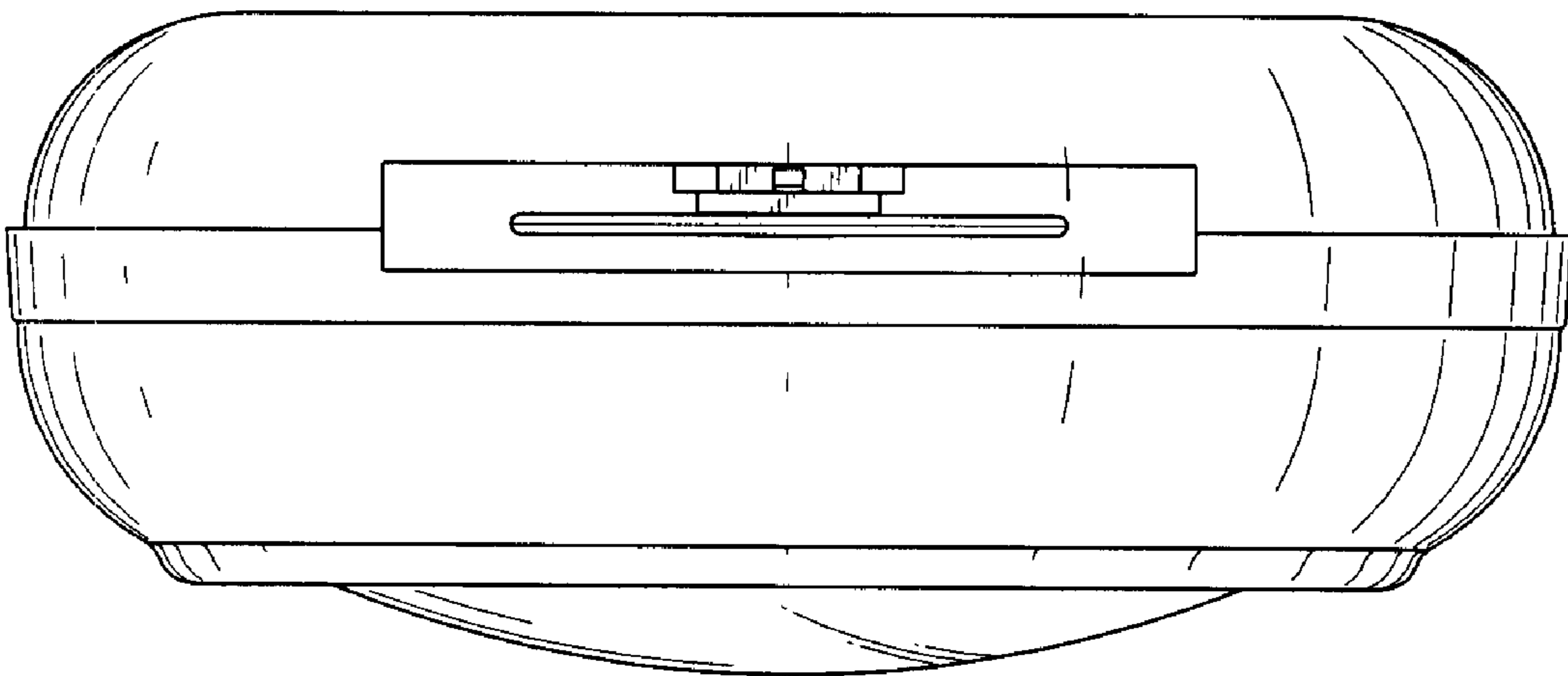


FIG. 5

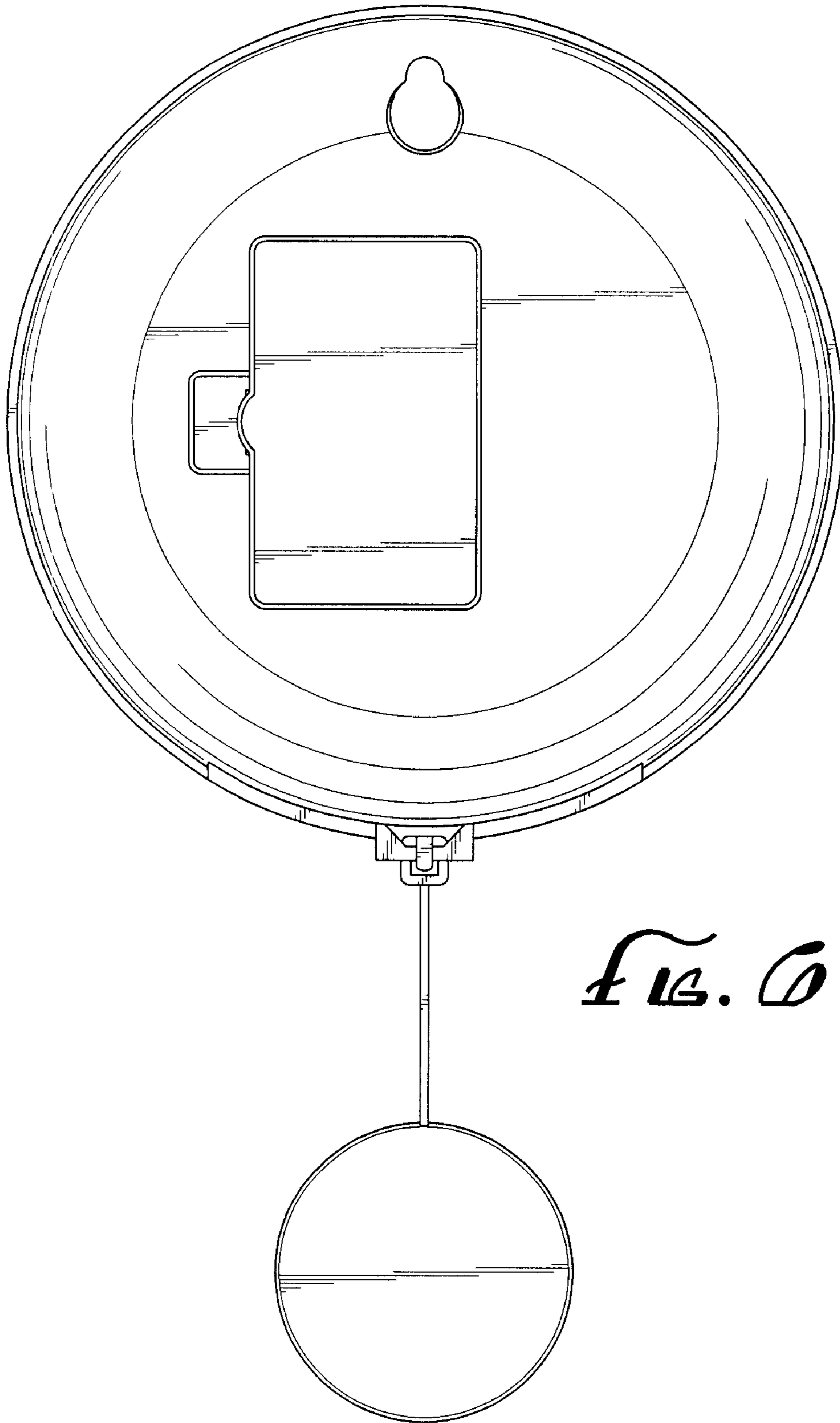


FIG. 6