



US00D536615S

(12) **United States Design Patent**
Dziaba et al.

(10) **Patent No.:** **US D536,615 S**
(45) **Date of Patent:** **** Feb. 13, 2007**

(54) **CUP HOLDER ADAPTER**
(75) Inventors: **Michele M. Dziaba**, Mundelein, IL
(US); **James McCay**, Fairfield, CT
(US)
(73) Assignee: **Kraft Foods Holdings, Inc.**, Northfield,
IL (US)
(**) Term: **14 Years**

D446,719 S 8/2001 Garraway
6,371,428 B1 * 4/2002 Zorich et al. 248/311.2
D458,084 S 6/2002 Hudson
6,401,927 B1 * 6/2002 Sorensen et al. 206/562
D469,310 S 1/2003 Bukowski
D471,766 S 3/2003 Bradley et al.
D503,337 S * 3/2005 Selby D9/433
2001/0032791 A1 10/2001 Hudson
2002/0023992 A1 2/2002 Veltri et al.
2002/0043603 A1 4/2002 Thomas
2002/0185578 A1 12/2002 Hudson
2003/0141424 A1 7/2003 Thomas

(21) Appl. No.: **29/220,620**

(22) Filed: **Jan. 5, 2005**

(51) **LOC (8) Cl.** **09-07**

(52) **U.S. Cl.** **D9/455; D9/433**

(58) **Field of Classification Search** D9/751,
D9/456, 455, 438, 435, 434, 433, 419, 416;
D2/627; 221/63; 206/824, 429, 409, 195,
206/194

See application file for complete search history.

(56) **References Cited**

U.S. PATENT DOCUMENTS

1,172,667 A * 2/1916 Bunnell 248/174
D182,112 S * 2/1958 Frankel D9/753
D268,251 S * 3/1983 Savage D9/456
5,052,649 A 10/1991 Hunnicutt
5,088,673 A 2/1992 Chandler
5,174,534 A 12/1992 Mitchell
5,490,653 A 2/1996 Ingwersen
5,601,268 A 2/1997 Dunchock
D381,264 S 7/1997 Lippincott
5,676,340 A 10/1997 Ruhnau
6,109,580 A 8/2000 Stern et al.
6,113,049 A 9/2000 Miljanich
D432,409 S 10/2000 Feldmeier
6,183,027 B1 * 2/2001 Tsao 294/146
D443,510 S 6/2001 Doucette

OTHER PUBLICATIONS

U.S. Appl. No. 29/220,619, filed Jan. 5, 2005, Michele M. Dziaba et al.

U.S. Appl. No. 11/028,601, filed Jan. 5, 2005, Michele M. Dziaba et al.

* cited by examiner

Primary Examiner—Robert M. Spear

Assistant Examiner—Susan Bennett Hattan

(74) *Attorney, Agent, or Firm*—Fitch, Even, Tabin & Flannery

(57) **CLAIM**

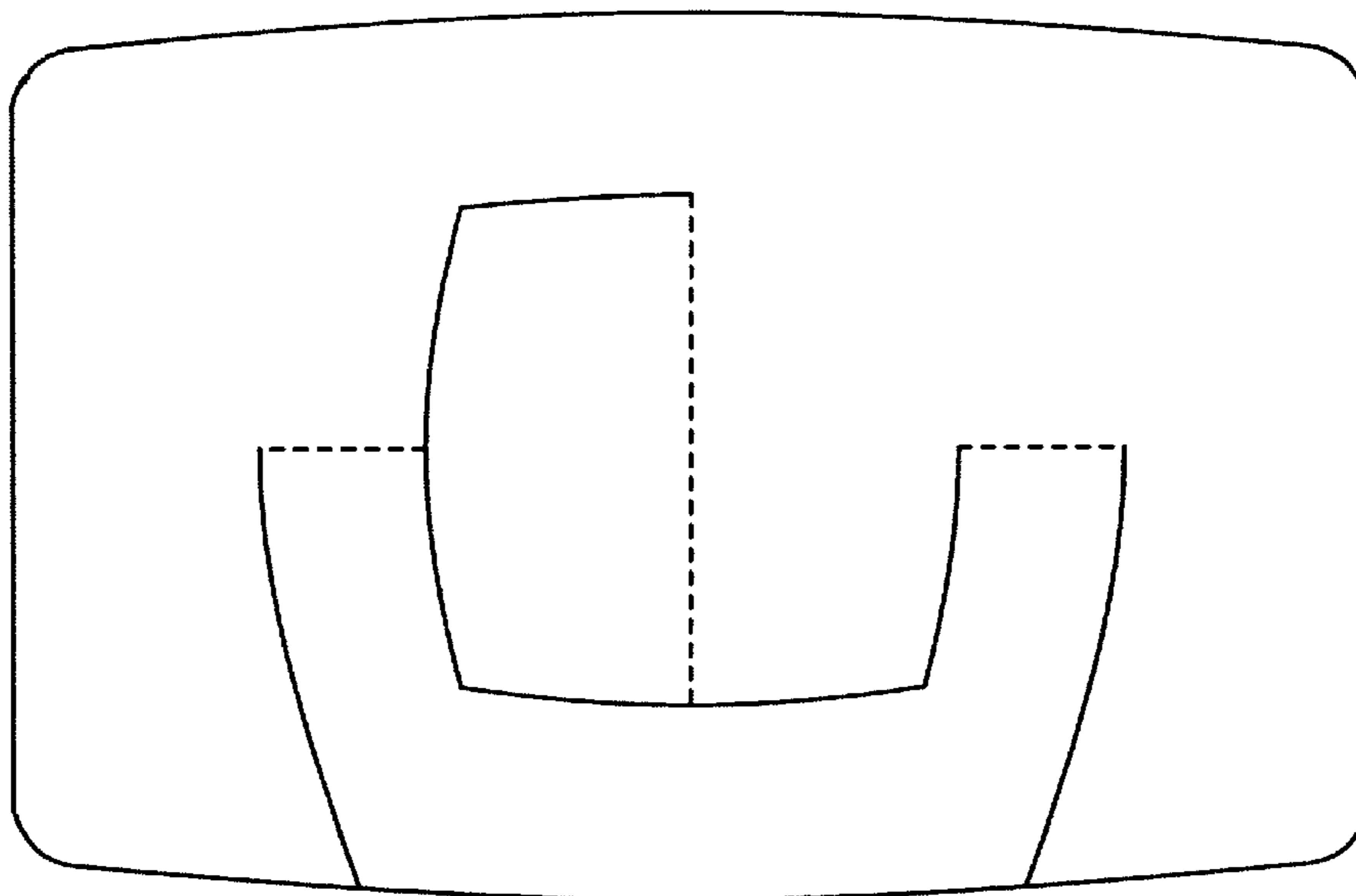
The ornamental design for a cup holder adapter, as shown and described.

DESCRIPTION

FIG. 1 is a top plan view of a cup holder adapter showing our new design in the form of a blank; and, FIG. 2 is perspective view of the cup holder adapter of FIG. 1 in its folded configuration.

The solid lines represent cut lines and the dashed lines represent fold lines in FIG. 1. The thickness of the blank is that of a conventional paperboard.

1 Claim, 1 Drawing Sheet



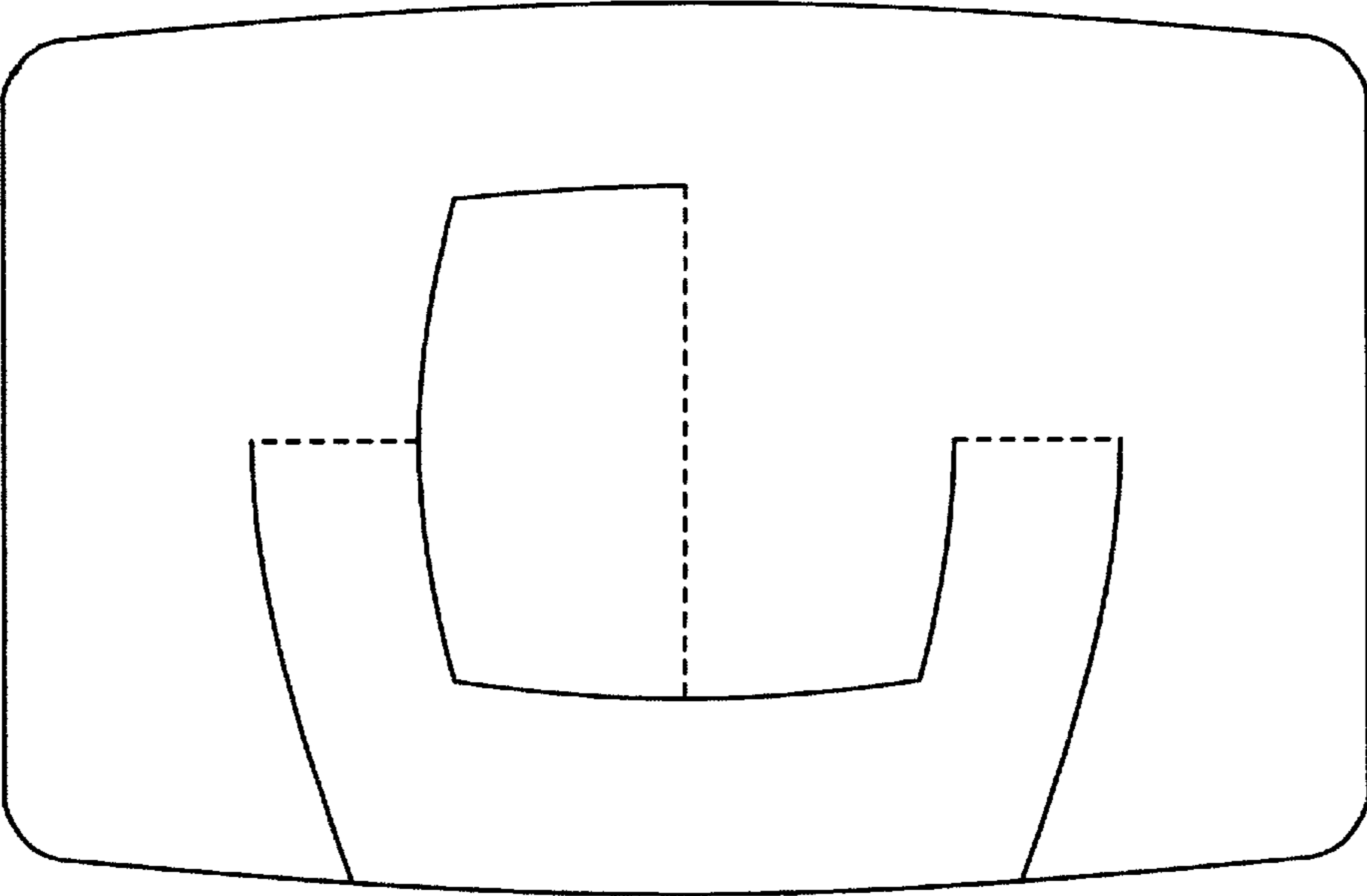


FIG. 1

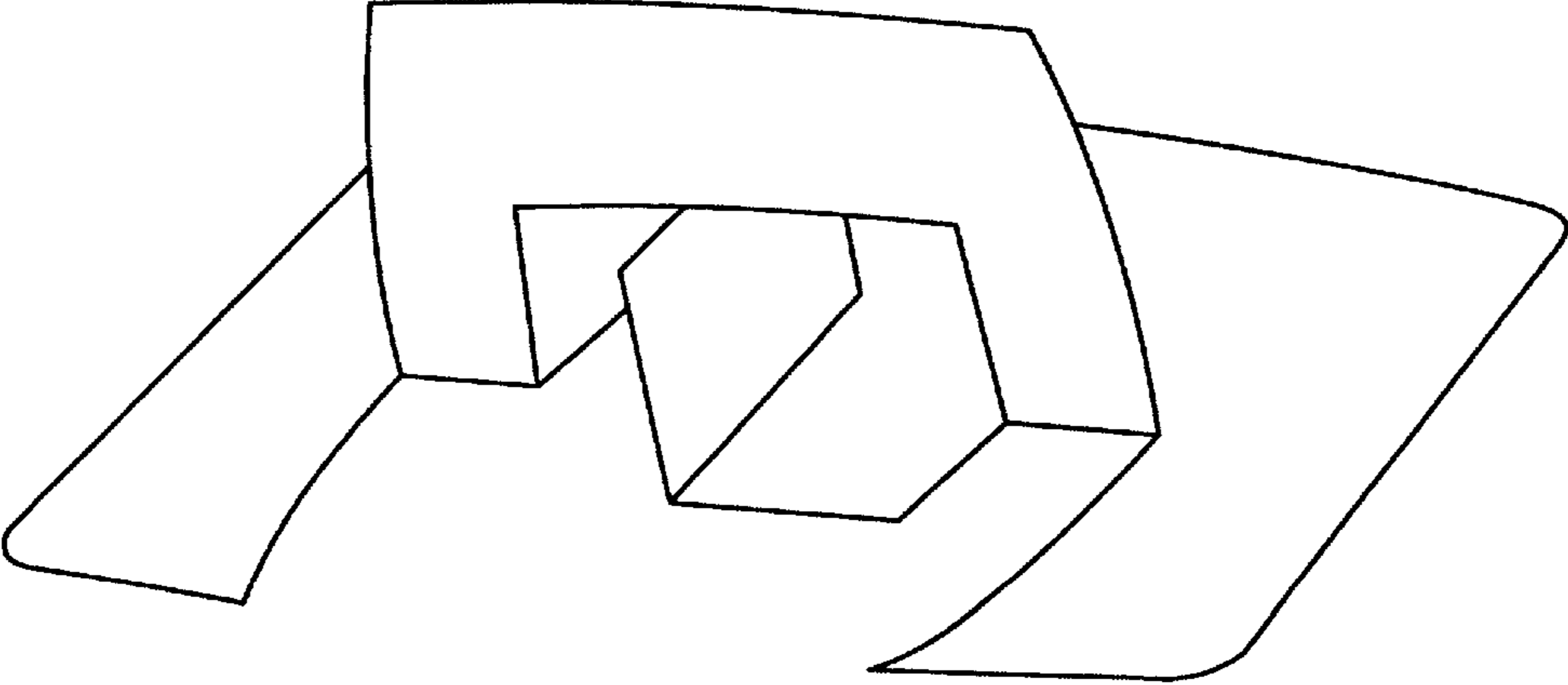


FIG. 2