



US00D536614S

(12) **United States Design Patent**
Peterson et al.

(10) **Patent No.: US D536,614 S**

(45) **Date of Patent: ** Feb. 13, 2007**

(54) **CONTAINER LID**

D457,433 S * 5/2002 Costanzo et al. D9/454

(75) Inventors: **Richard L. Peterson**, Roscoe, IL (US);
Craig M. Ressler, North Aurora, IL
(US); **Gordon E. VerWeyst**, Rockford,
IL (US)

* cited by examiner

Primary Examiner—Robert M. Spear

Assistant Examiner—Susan Bennett Hattan

(74) *Attorney, Agent, or Firm*—Leydig, Voit & Mayer, Ltd

(73) Assignee: **J.L. Clark, Inc.**, Rockford, IL (US)

(57) **CLAIM**

(**) Term: **14 Years**

We claim the ornamental design for a container lid, as shown and described.

(21) Appl. No.: **29/243,884**

DESCRIPTION

(22) Filed: **Dec. 1, 2005**

(51) **LOC (8) Cl.** **09-07**

(52) **U.S. Cl.** **D9/454**

(58) **Field of Classification Search** D9/454,
D9/450, 449, 447, 445, 441, 438, 435, 434;
D7/629, 511, 510, 396.2, 392.1, 317, 391,
D7/392; D3/203.2, 202; 222/555, 451.2;
220/713, 712, 270, 253

See application file for complete search history.

FIG. 1 is a perspective view of a container lid;
FIG. 2 is a top view thereof;
FIG. 3 is a left side view thereof;
FIG. 4 is a right side view thereof;
FIG. 5 is a bottom view thereof;
FIG. 6 is a front view thereof;
FIG. 7 is a rear view thereof;
FIG. 8 is a cross-sectional view thereof;
FIG. 9 is a perspective view of another embodiment of a
container lid;
FIG. 10 is a top view thereof;
FIG. 11 is a left side view thereof;
FIG. 12 is a right side view thereof;
FIG. 13 is a bottom view thereof;
FIG. 14 is a front view thereof;
FIG. 15 is a rear view thereof; and,
FIG. 16 is a cross-sectional view thereof.

The portions shown in broken lines in the Figures are environmental structure shown for illustrative purposes only and do not form any part of the claimed design.

(56) **References Cited**

U.S. PATENT DOCUMENTS

D401,158 S	*	11/1998	Bakic	D9/574
D403,584 S	*	1/1999	Bakic	D9/454
D403,585 S	*	1/1999	Bakic et al.	D9/454
D403,586 S	*	1/1999	Bakic	D9/454
D411,747 S	*	6/1999	Kokenge et al.	D9/503
D411,800 S	*	7/1999	Kokenge et al.	D9/454
D419,881 S	*	2/2000	Kokenge et al.	D9/454
D424,943 S	*	5/2000	Kokenge et al.	D9/504

1 Claim, 8 Drawing Sheets

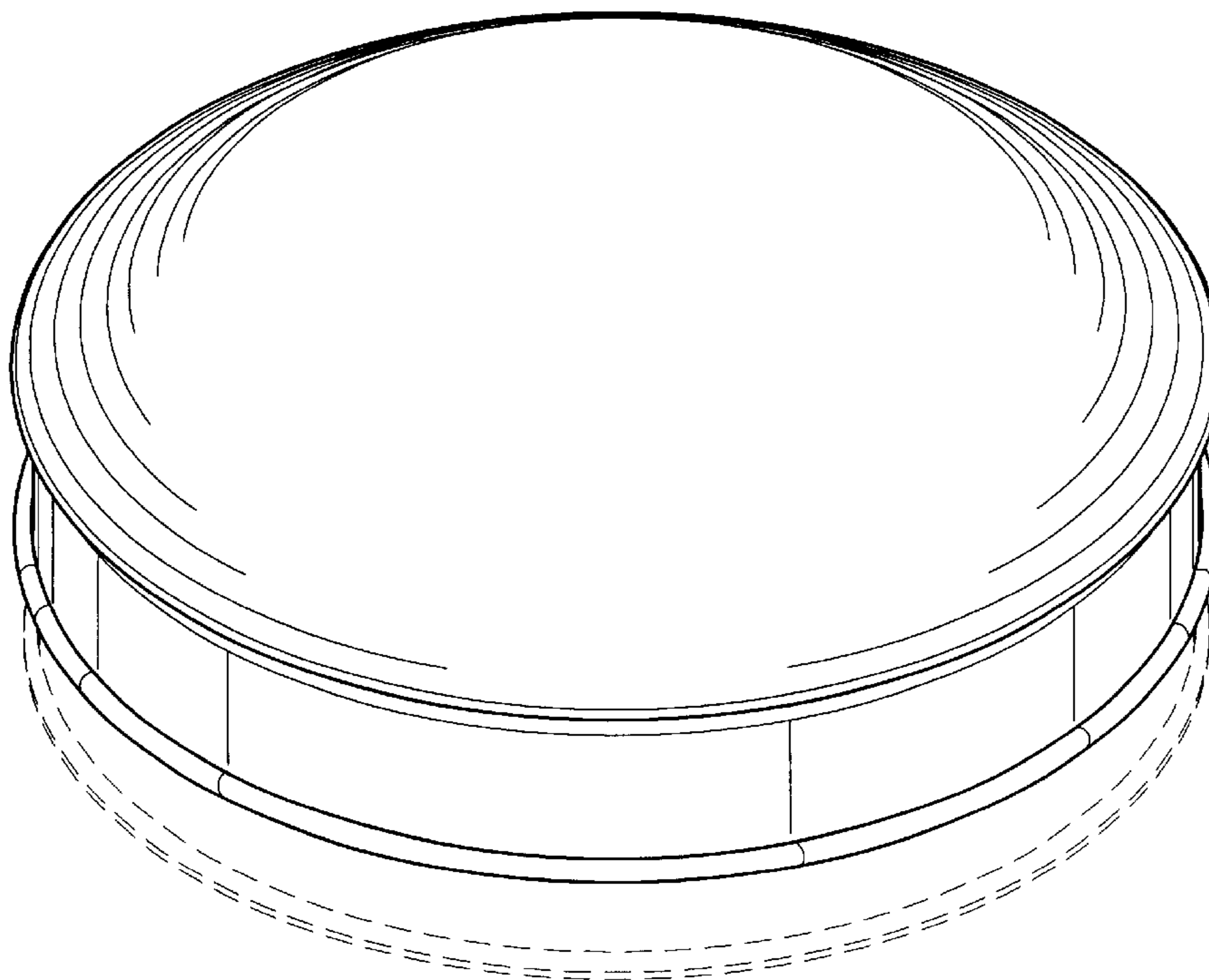


FIG. 1

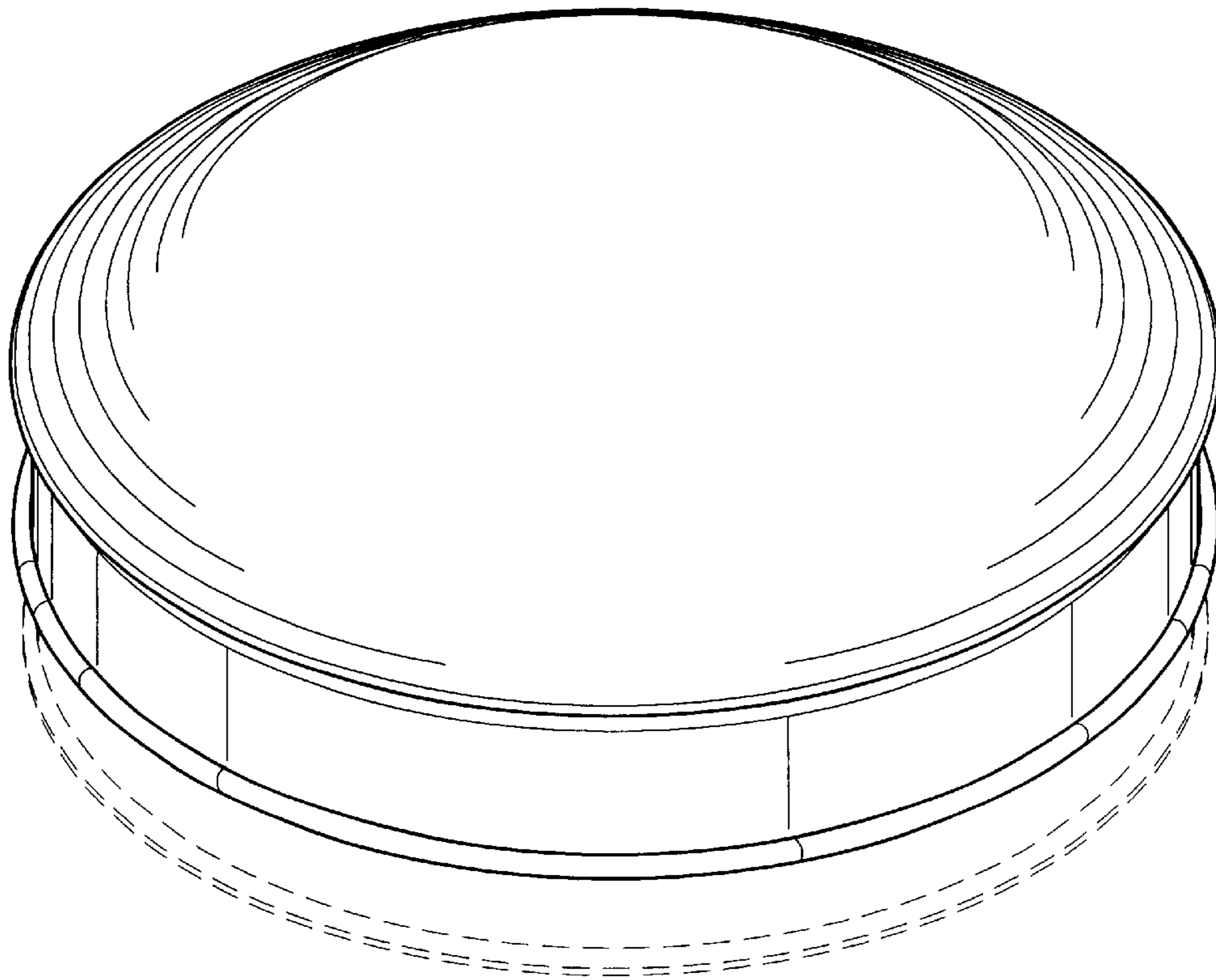


FIG. 4

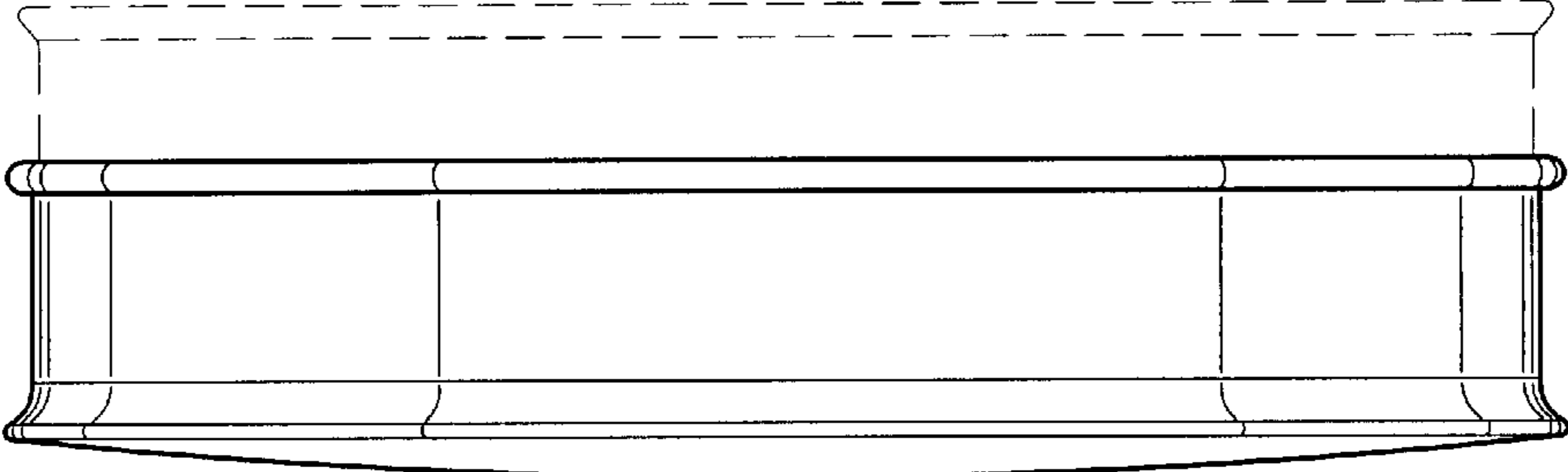


FIG. 2

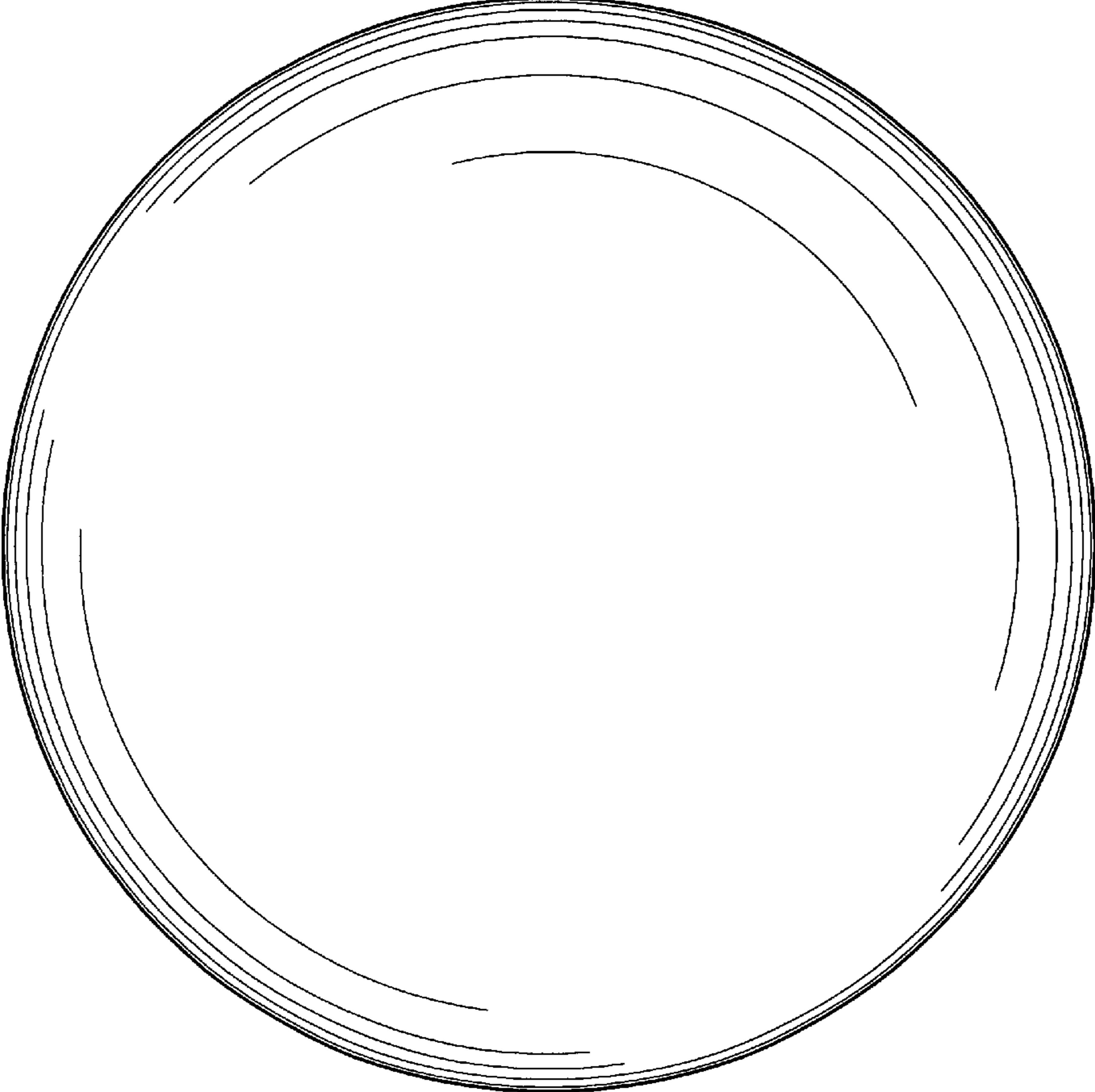


FIG. 3

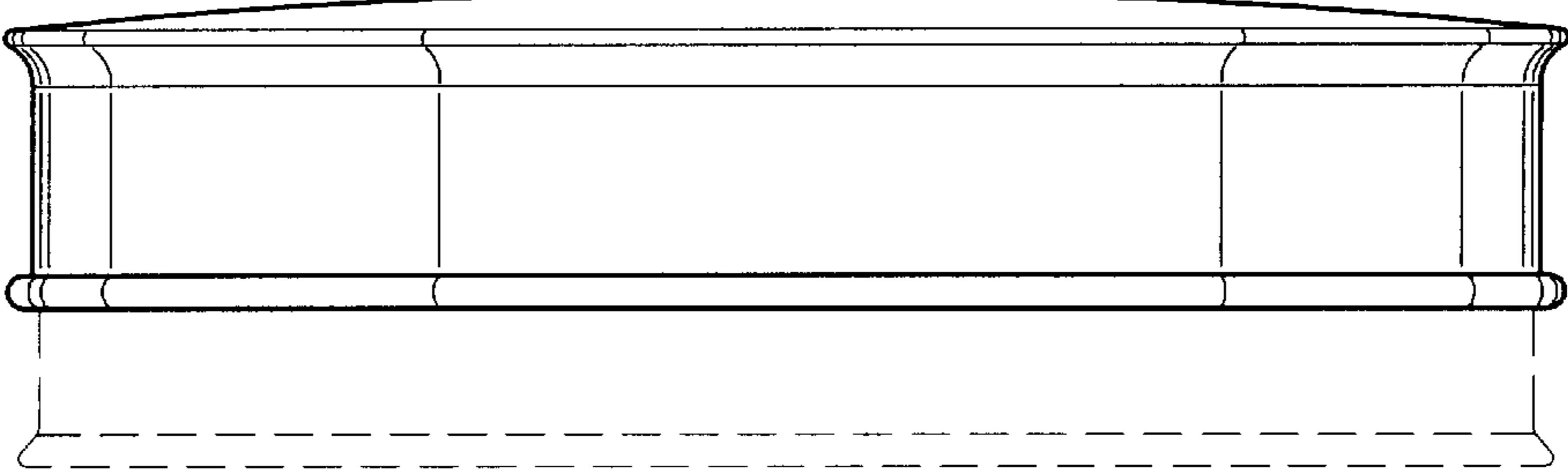


FIG. 7

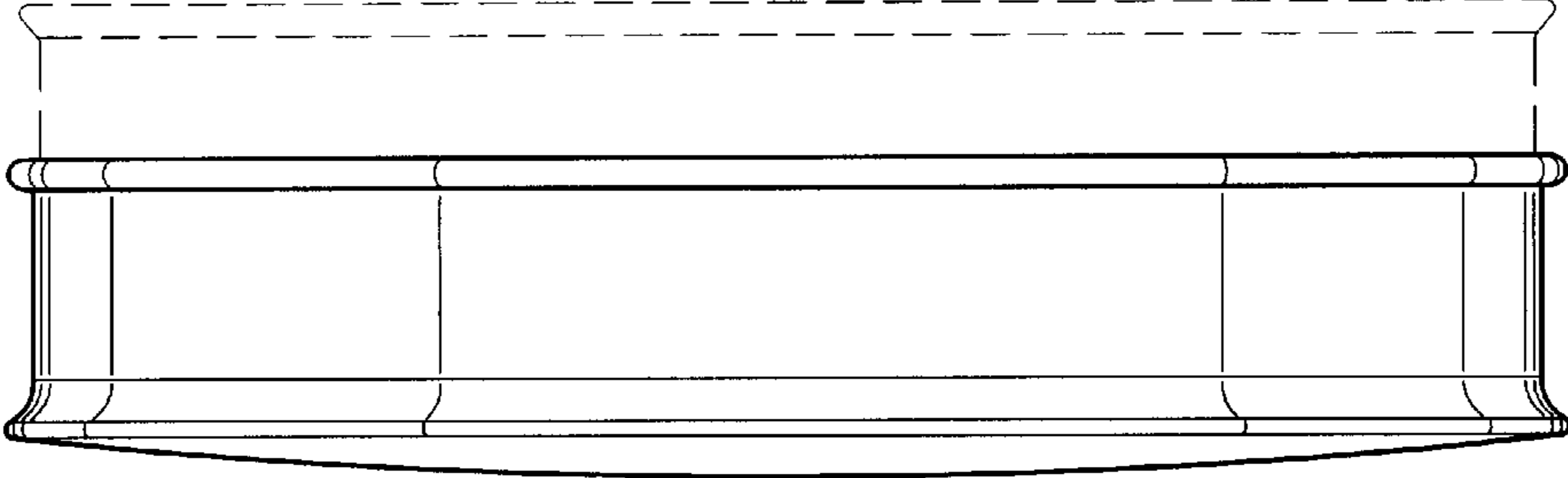


FIG. 5

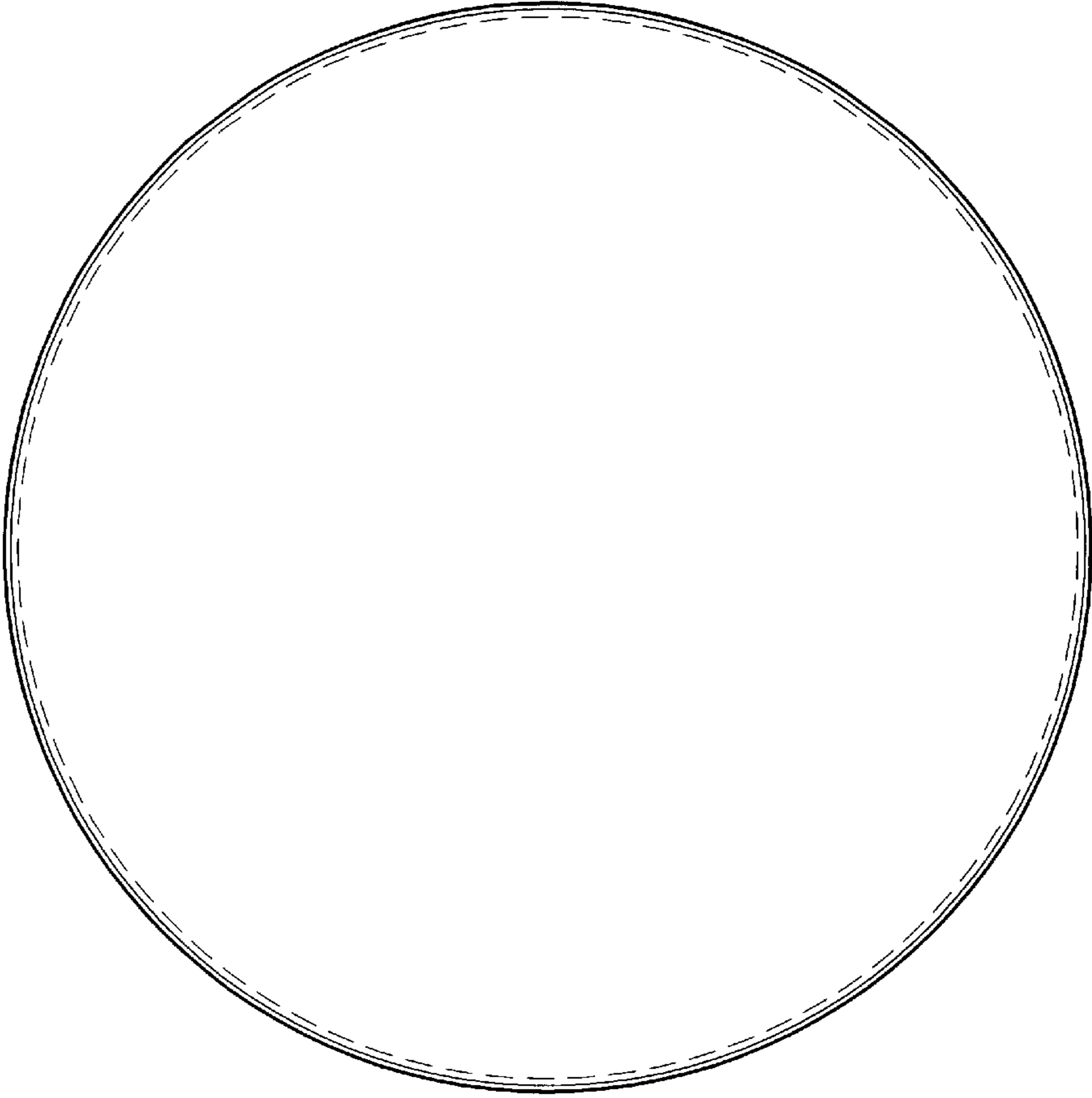


FIG. 6

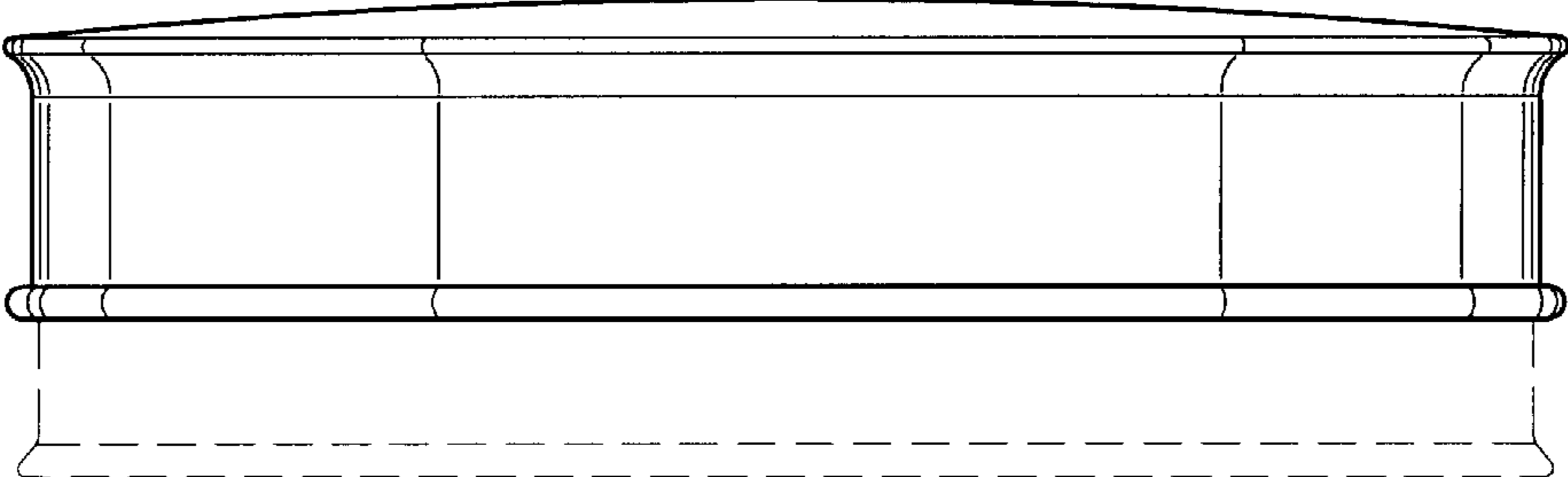


FIG. 8

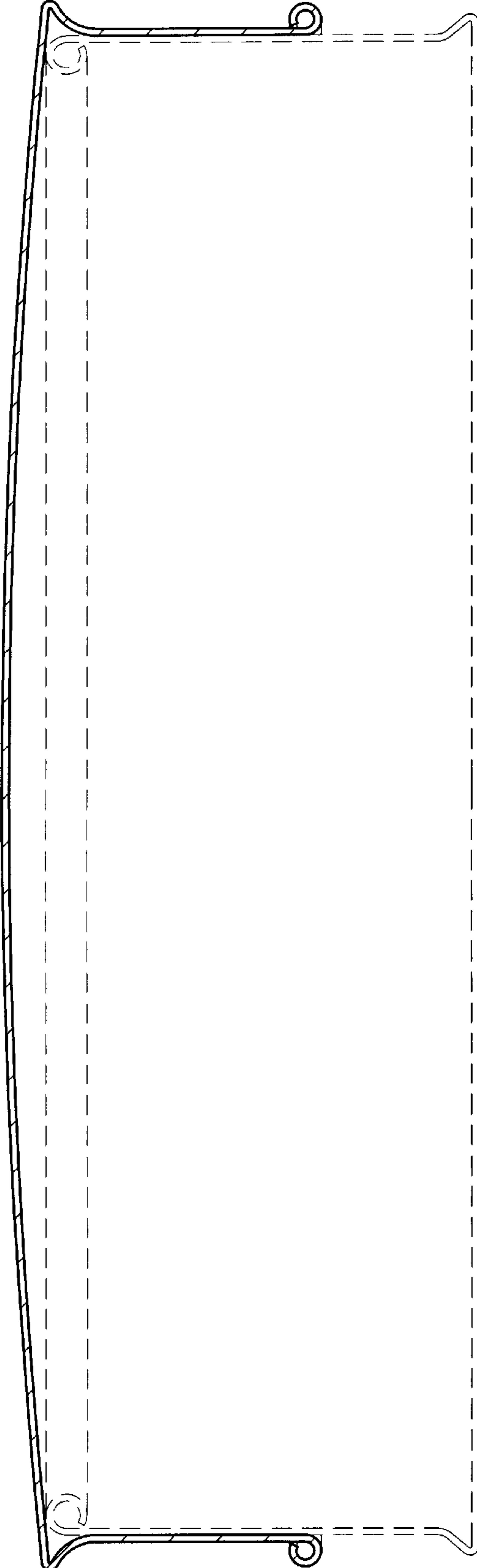


FIG. 9

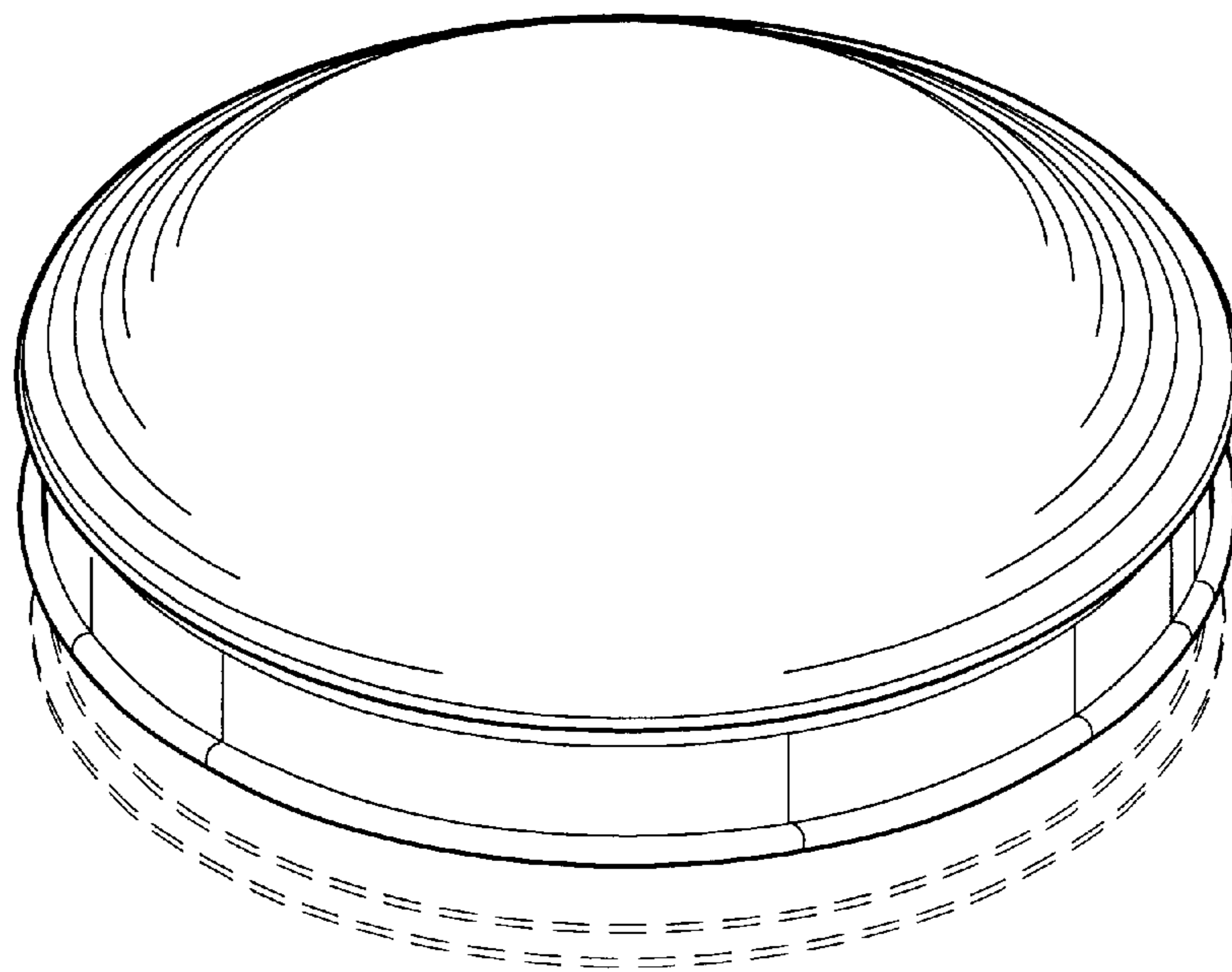


FIG. 12

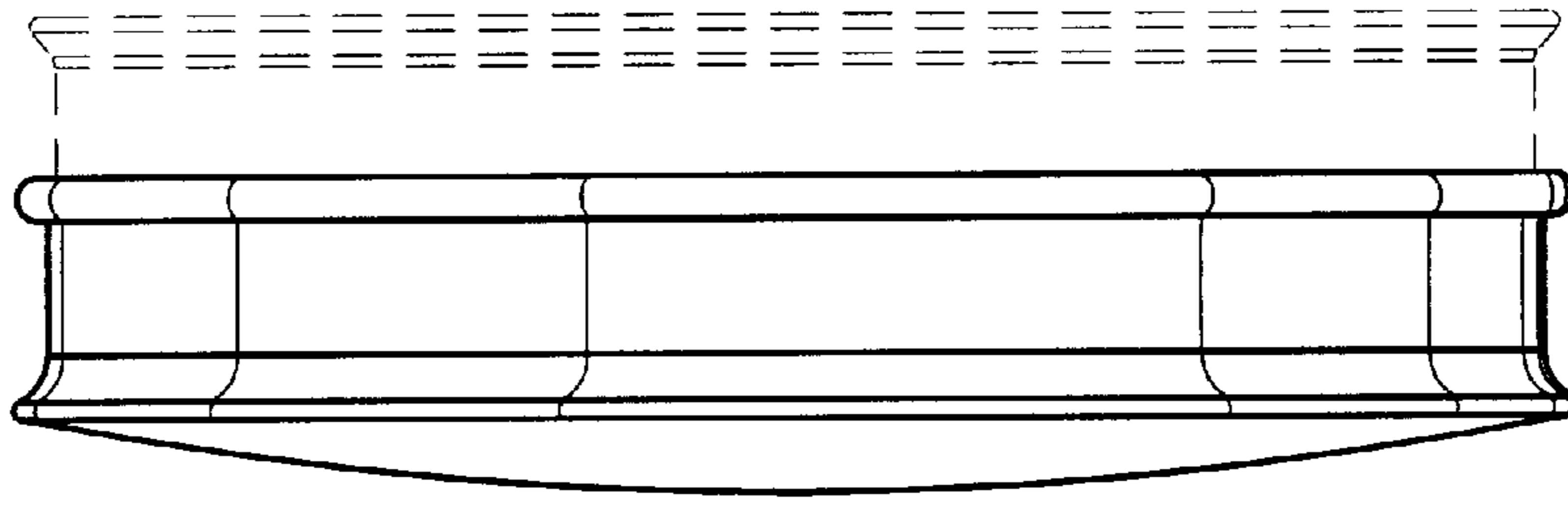


FIG. 10

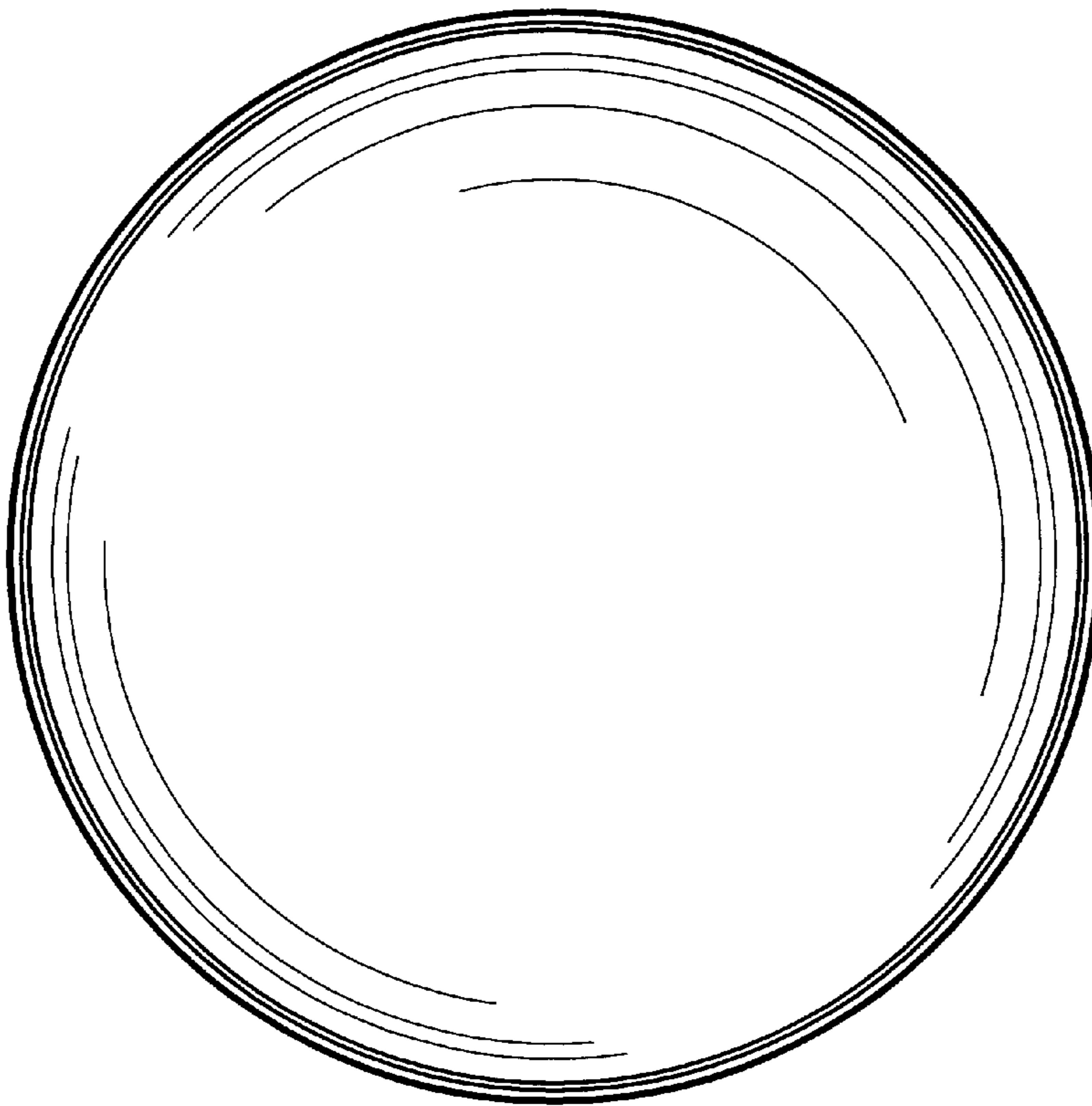


FIG. 11

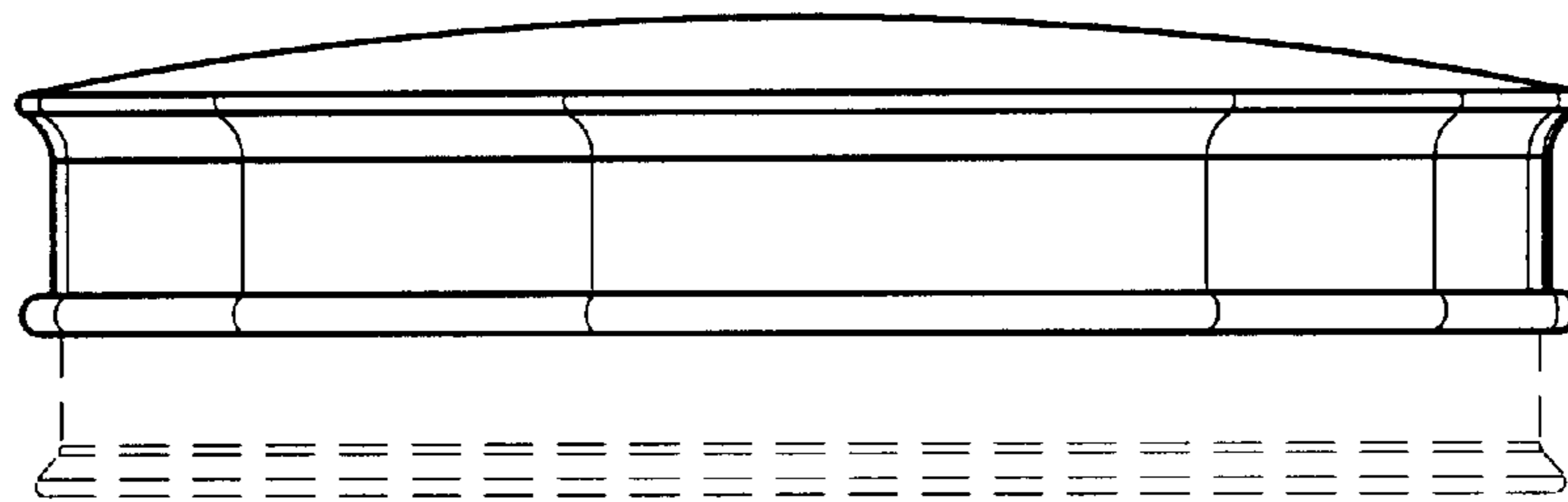


FIG. 15

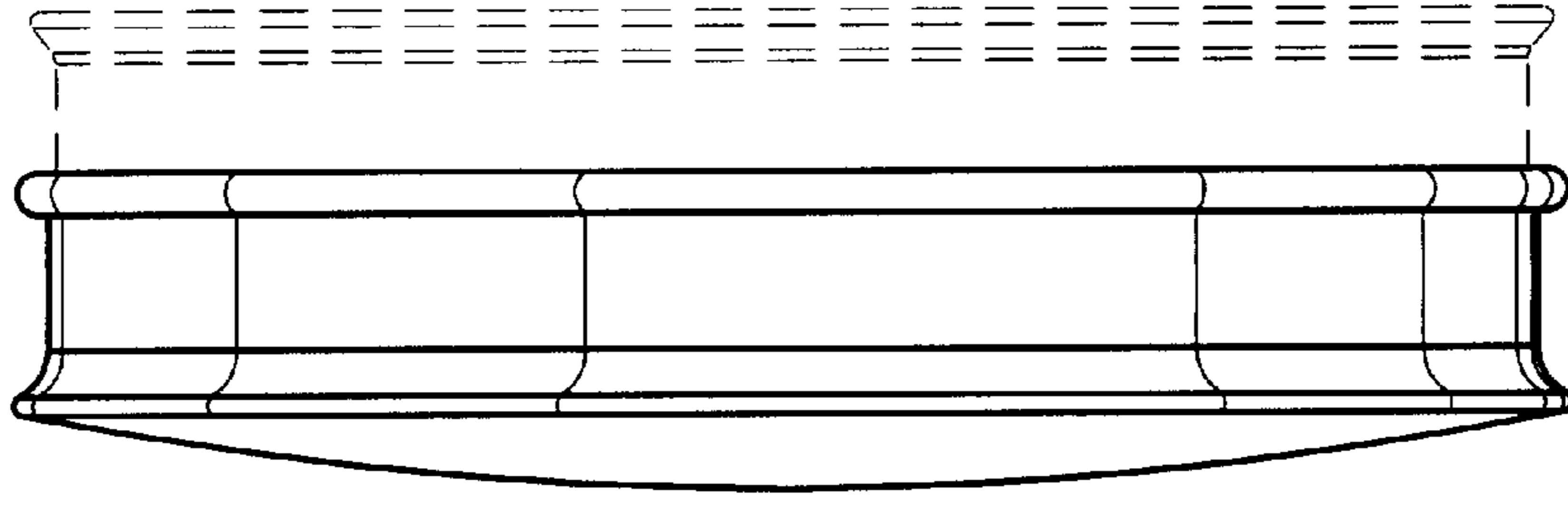


FIG. 13

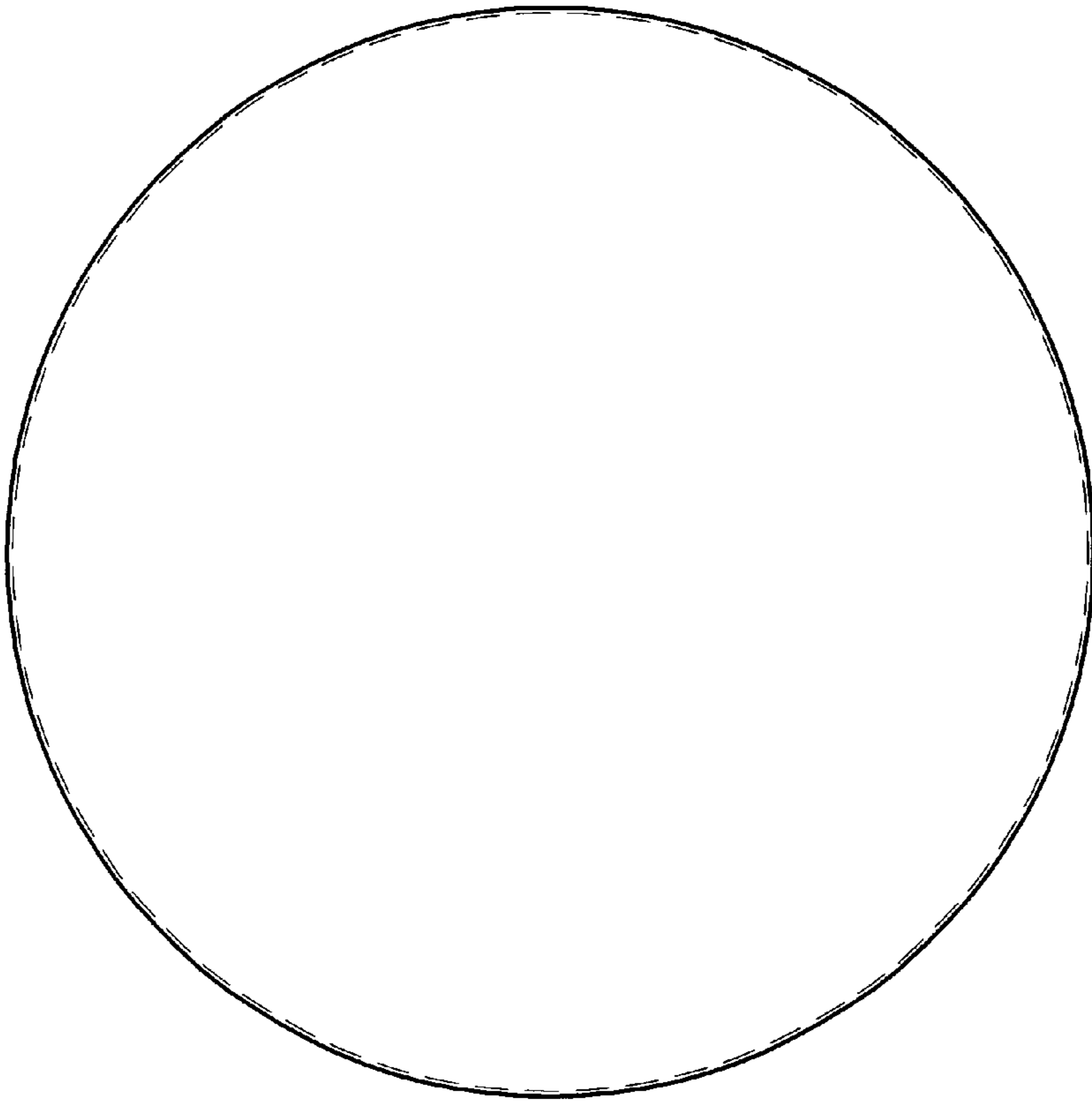


FIG. 14

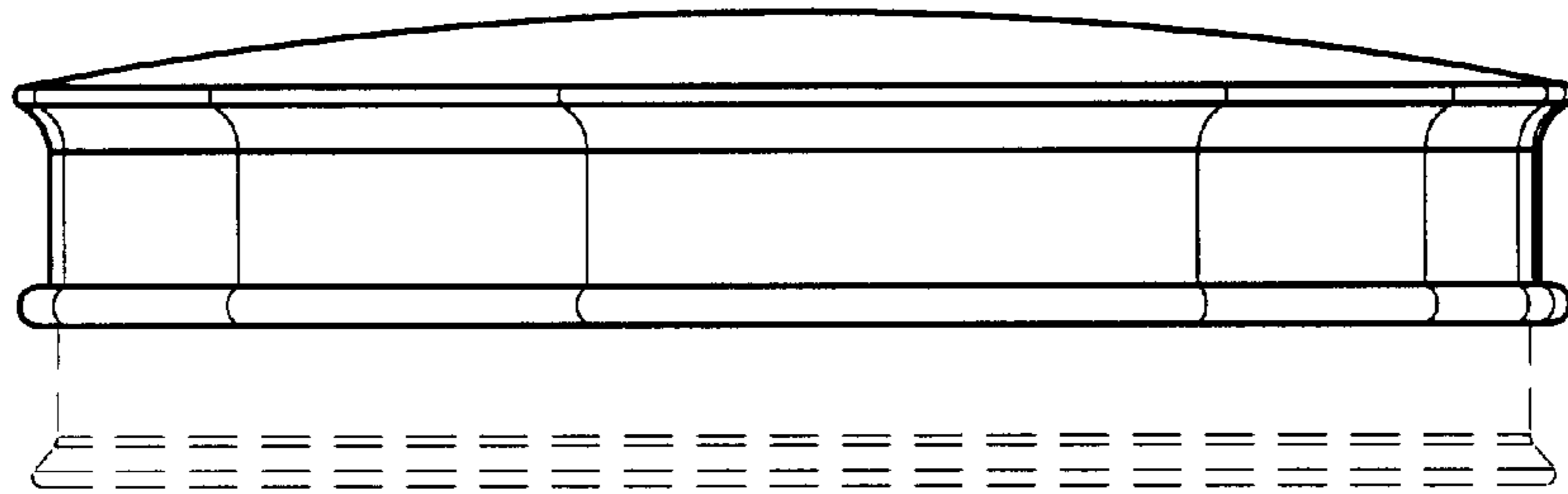


FIG. 16

