



US00D536613S

(12) **United States Design Patent**
Vogel et al.

(10) **Patent No.:** **US D536,613 S**
(45) **Date of Patent:** **** Feb. 13, 2007**

(54) **CLOSURE FOR A CONTAINER**

(76) Inventors: **William C. Vogel**, 10536 N. Gazebo Hill Pkwy. East, Mequon, WI (US) 53092; **Terrence M. Parve**, W150 N8187 Manhattan Dr., Menomonee Falls, WI (US) 53051; **Gary Swetish**, 169 S. Lakeshore Dr., Racine, WI (US) 53403; **Michael Phillips**, 3617 N. Morris Blvd., Milwaukee, WI (US) 53211

(**) Term: **14 Years**

(21) Appl. No.: **29/208,987**

(22) Filed: **Jul. 7, 2004**

(51) **LOC (8) Cl.** **09-07**

(52) **U.S. Cl.** **D9/449; D9/438; D9/445**

(58) **Field of Classification Search** D9/734, D9/454, 453, 447, 443, 440, 435, 449; D7/392.1; D6/515-518; 222/575; 221/282, 26; 206/824, 206/812, 389, 233, 225

See application file for complete search history.

(56) **References Cited**

U.S. PATENT DOCUMENTS

3,262,606 A * 7/1966 Waterman 222/480

D320,935 S * 10/1991 Nylander D9/528
5,103,988 A * 4/1992 Reil et al. 215/384
5,273,177 A * 12/1993 Campbell 220/281
D373,311 S * 9/1996 Hotz D9/447

* cited by examiner

Primary Examiner—Robert M. Spear
Assistant Examiner—Susan Bennett Hattan
(74) *Attorney, Agent, or Firm*—Foley & Lardner LLP

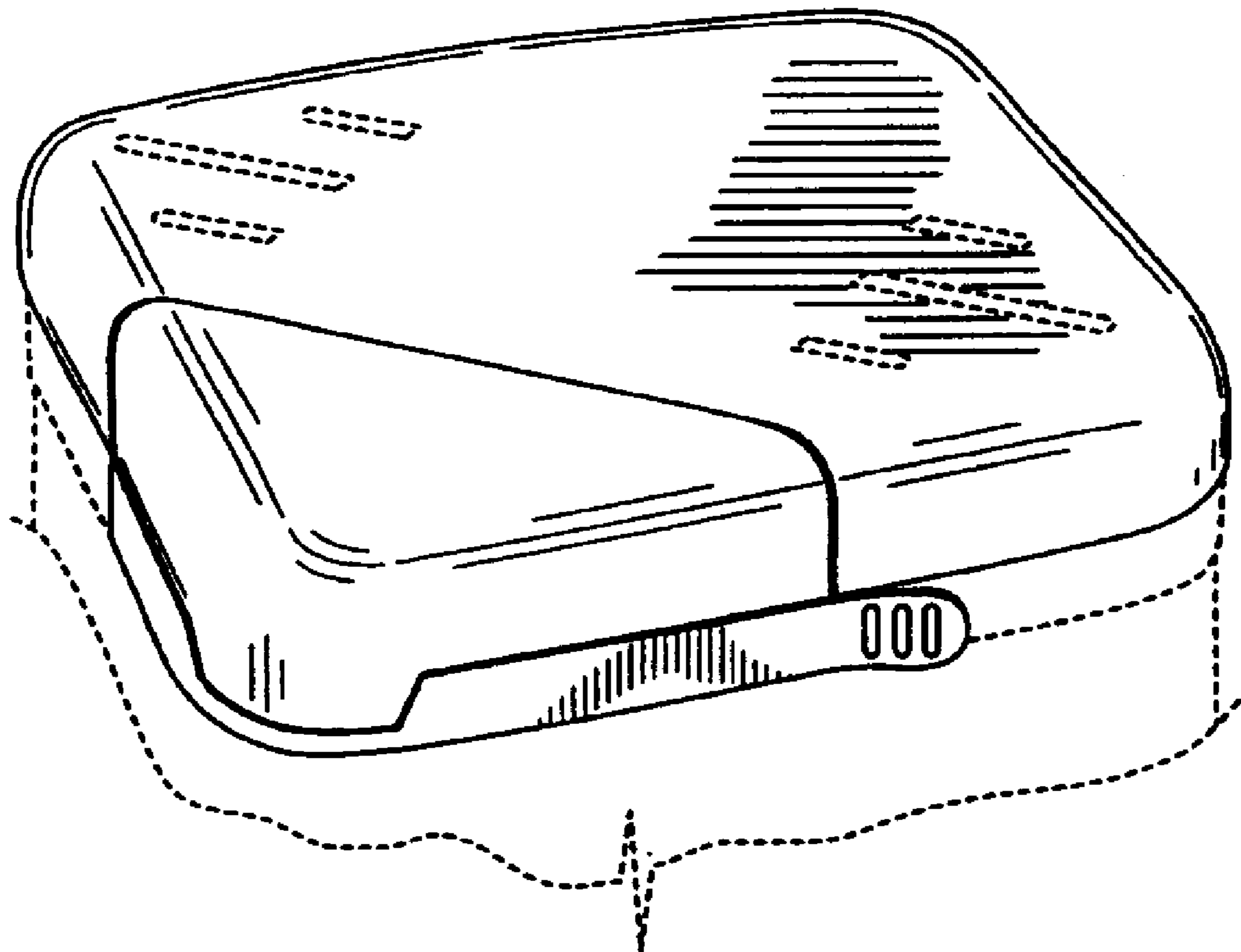
(57) **CLAIM**

We claim the ornamental design for a closure for a container, as shown and described.

DESCRIPTION

FIG. 1 is a perspective view of the claimed design;
FIG. 2 is a perspective view of the claimed design with the pull strip removed;
FIG. 3 is a perspective view of the claimed design illustrating the flap in an open position with the pull strip removed;
FIG. 4 is a top view of the claimed design drawn at a reduced scale;
FIG. 5 is a side elevational view of the claimed design drawn at a reduced scale; and,
FIG. 6 is a bottom view of the claimed design.
The broken lines in the drawings are for illustrative purposes only and form no part of the claimed design.

1 Claim, 2 Drawing Sheets



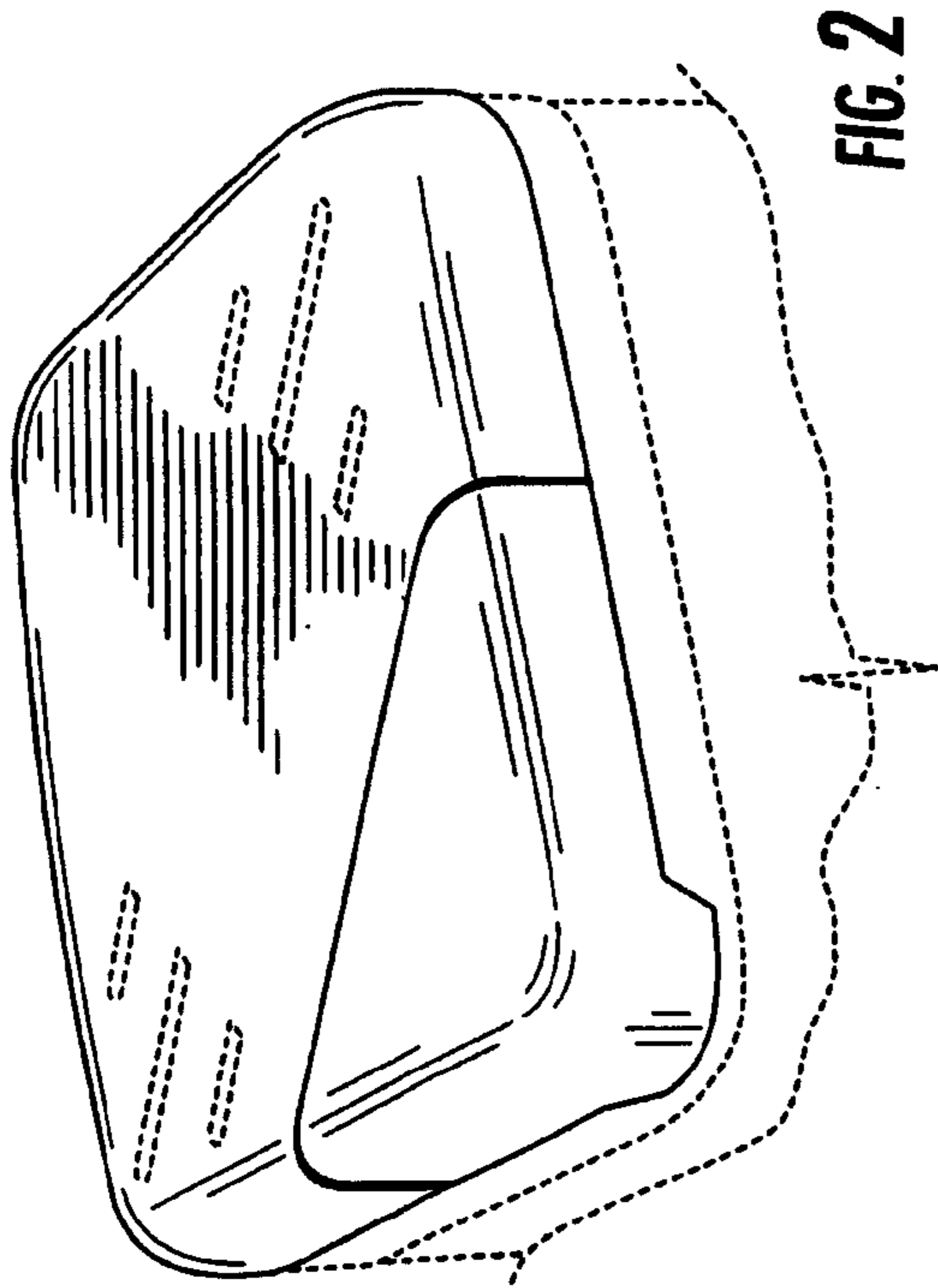


FIG. 2

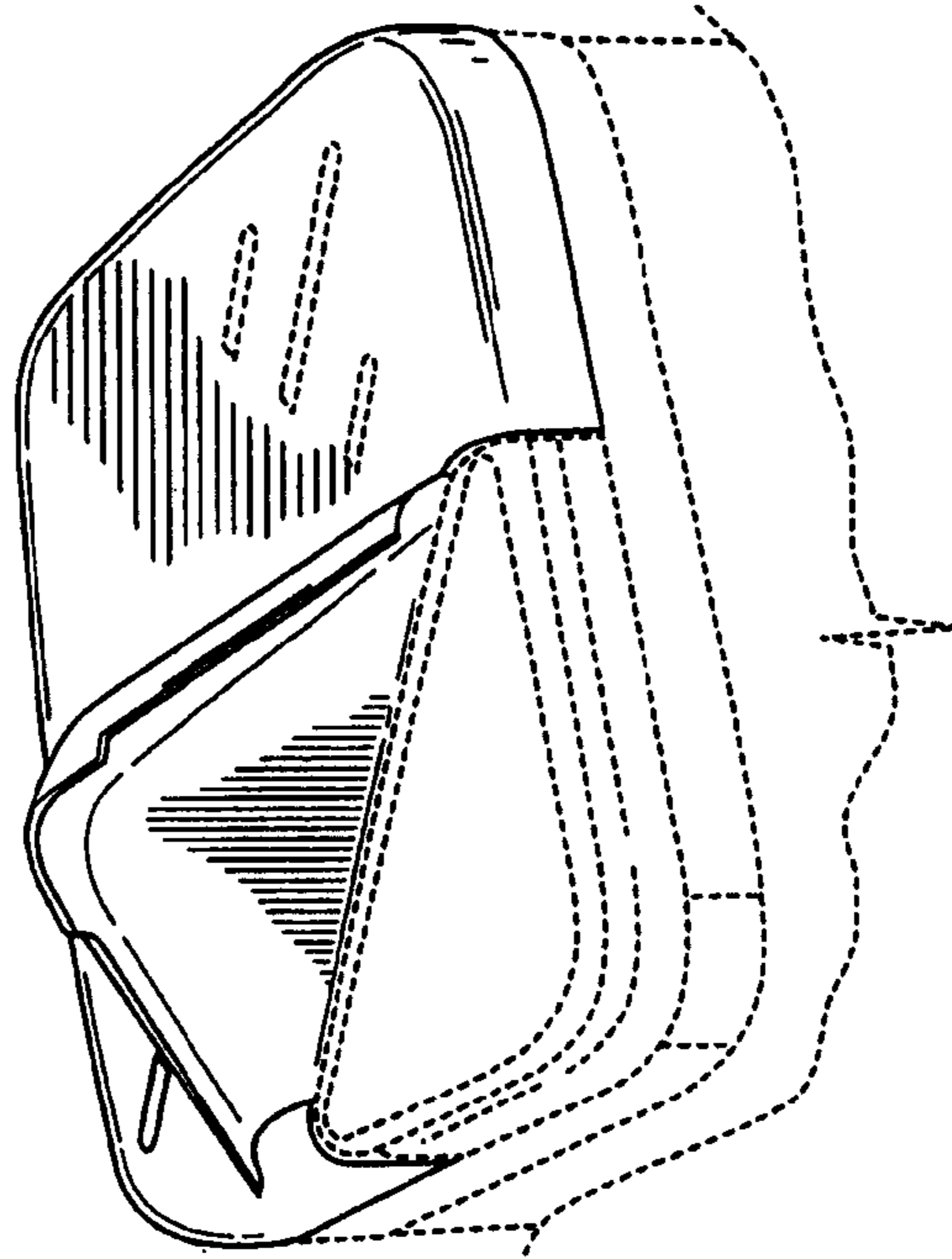


FIG. 3

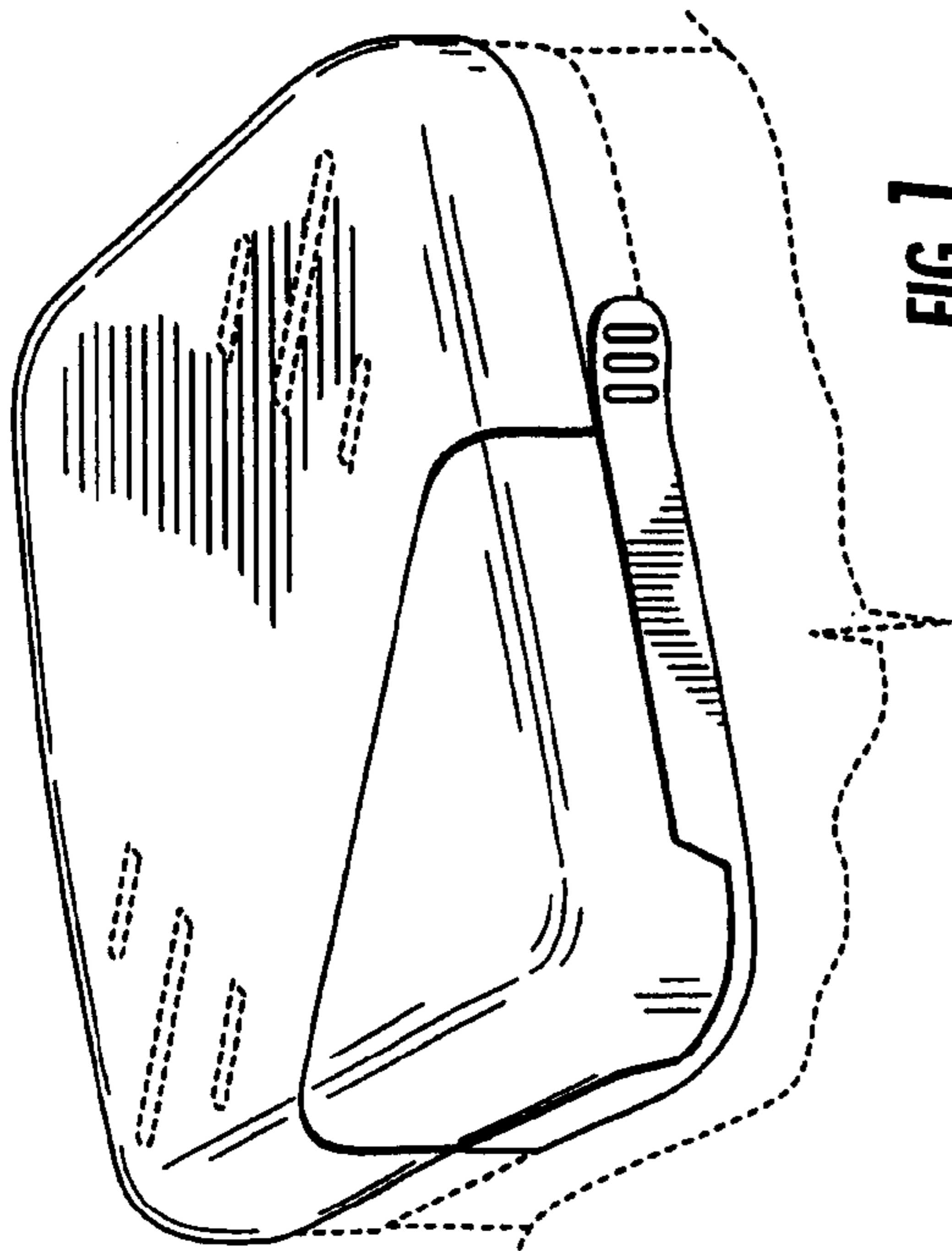


FIG. 7

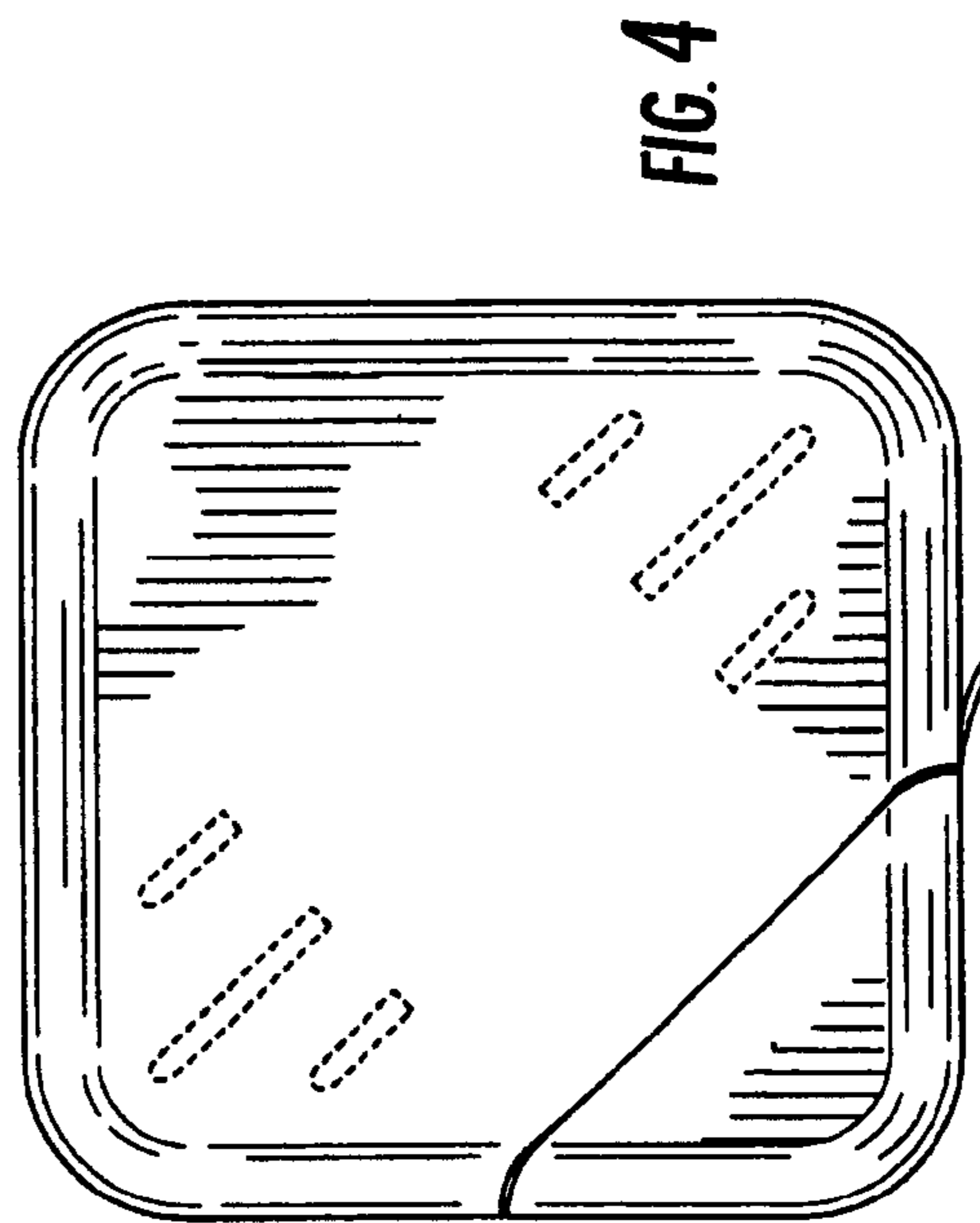


FIG. 4

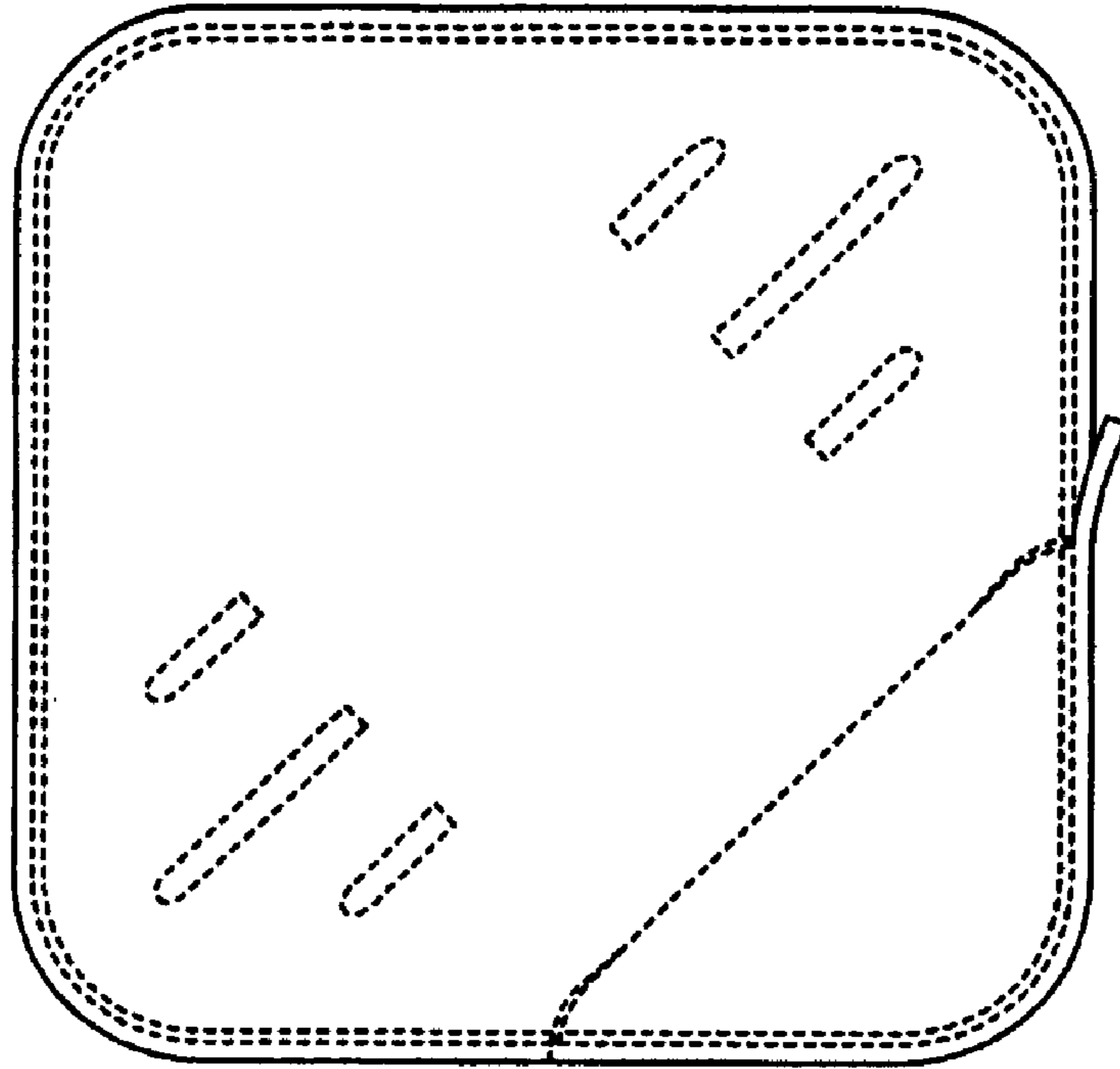


FIG. 6

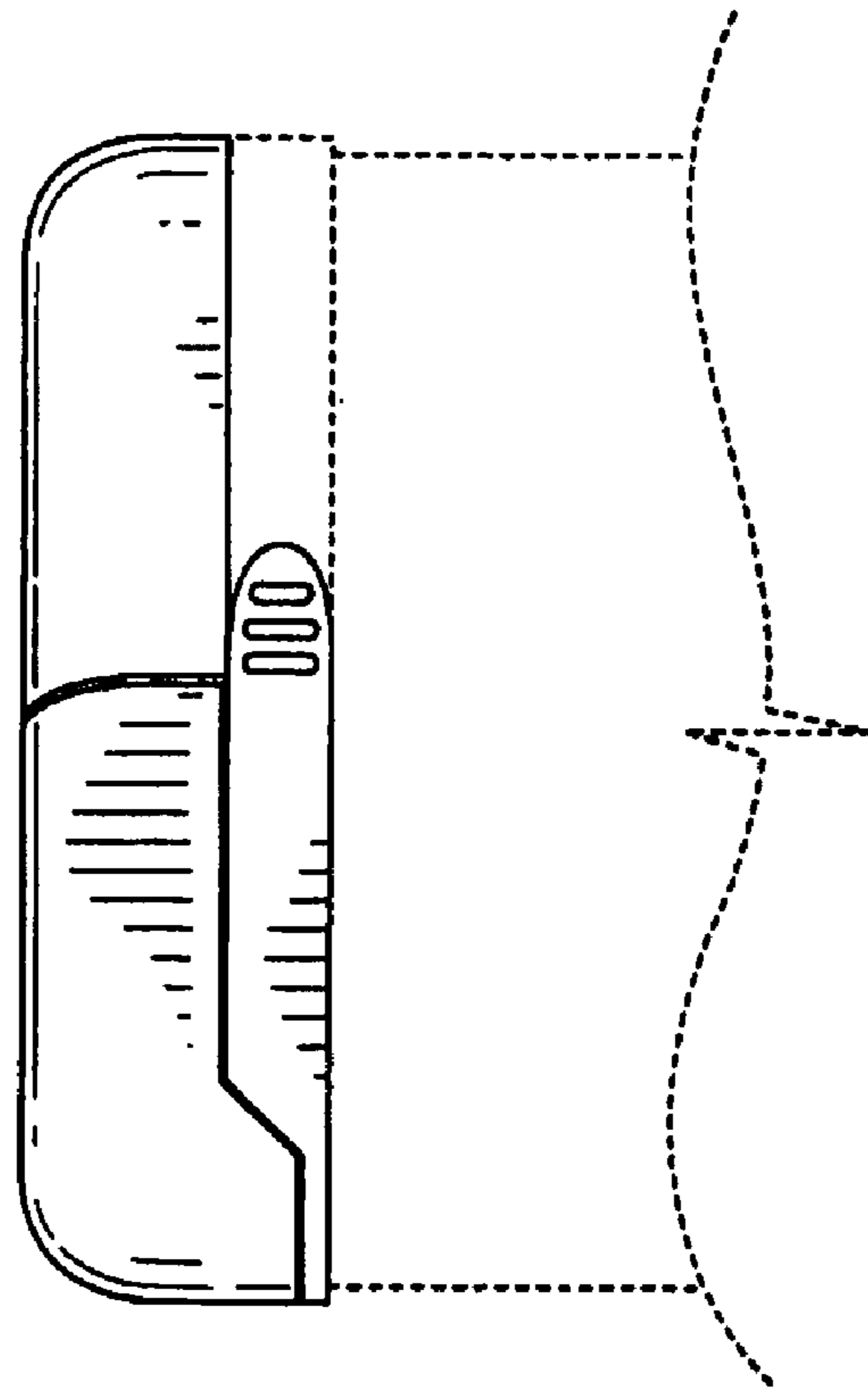


FIG. 5