

US00D536612S

(12) **United States Design Patent** (10) **Patent No.:** **US D536,612 S**
Geurts et al. (45) **Date of Patent:** **** Feb. 13, 2007**

(54) **PACKAGE FOR AN INPUT DEVICE**
(75) Inventors: **Jill Geurts**, Kirkland, WA (US);
Matthew Kroeze, Covington, WA (US)
(73) Assignee: **Microsoft Corporation**, Redmond, WA
(US)
(**) Term: **14 Years**

D462,265 S 9/2002 Humphrey
D466,405 S 12/2002 Lee
D466,406 S 12/2002 Solland
D466,804 S 12/2002 Solland
D469,692 S * 2/2003 Meeker et al. D9/432
D471,442 S 3/2003 Lee
D471,445 S 3/2003 Kohl
D497,804 S 11/2004 Hetzel et al.
D505,322 S 5/2005 Guthrie et al.
D506,386 S * 6/2005 Milan D9/418

(21) Appl. No.: **29/246,074**
(22) Filed: **Jan. 20, 2006**

(51) **LOC (8) Cl.** **09-03**
(52) **U.S. Cl.** **D9/432**
(58) **Field of Classification Search** D9/414,
D9/416, 418, 499, 430-433; 206/779, 781,
206/783, 784, 756, 736, 769, 770, 775, 822,
206/527; 229/116.1, 100, 108, 111; 220/890,
220/DIG. 13
See application file for complete search history.

OTHER PUBLICATIONS

<http://www.3dxtreme.net/images/reviews/Logitech%20MX510%20Mounse/DSCO1577.jpg>, 1 sheet, May 23, 2005.
Microsoft Wireless IntelliMouse Explorer, 1 photographic sheet, date unknown but prior to Jan. 20, 2006.
Logitech MX 1000 Laser Cordless Mouse, 1 photographic sheet, date unknown but prior to Jan. 20, 2006.
Interlink Electronics Remote Point Presenter, 2 photographic sheets, date unknown but prior to Jan. 20, 2006.

* cited by examiner

(56) **References Cited**

U.S. PATENT DOCUMENTS

D108,186 S 1/1938 Young
2,717,073 A 9/1955 Young
2,767,831 A 10/1956 Brecht
D191,145 S 8/1961 Cesarco
3,659,704 A 5/1972 Collura et al.
D227,351 S 6/1973 Winton
3,987,893 A * 10/1976 Hanson 206/779
D282,821 S 3/1986 Noyes
D287,821 S 1/1987 Holewinski et al.
D314,914 S 2/1991 Callinan
D318,802 S 8/1991 Egide
D355,117 S 2/1995 van der Zwaard
D360,358 S 7/1995 Steinfels, III
D371,959 S 7/1996 Hupp
D384,276 S 9/1997 Casey et al.
5,676,248 A * 10/1997 Brazell 206/319
D396,632 S 8/1998 Lee
5,823,339 A * 10/1998 Dunham et al. 206/349
5,881,885 A * 3/1999 Grimm 206/779
D427,900 S 7/2000 O'Malley et al.
D436,530 S * 1/2001 Stringer D9/414
D451,801 S * 12/2001 Schillinger D9/418

Primary Examiner—Stella Reid
Assistant Examiner—Mark Goodwin
(74) *Attorney, Agent, or Firm*—Banner & Witcoff, Ltd.

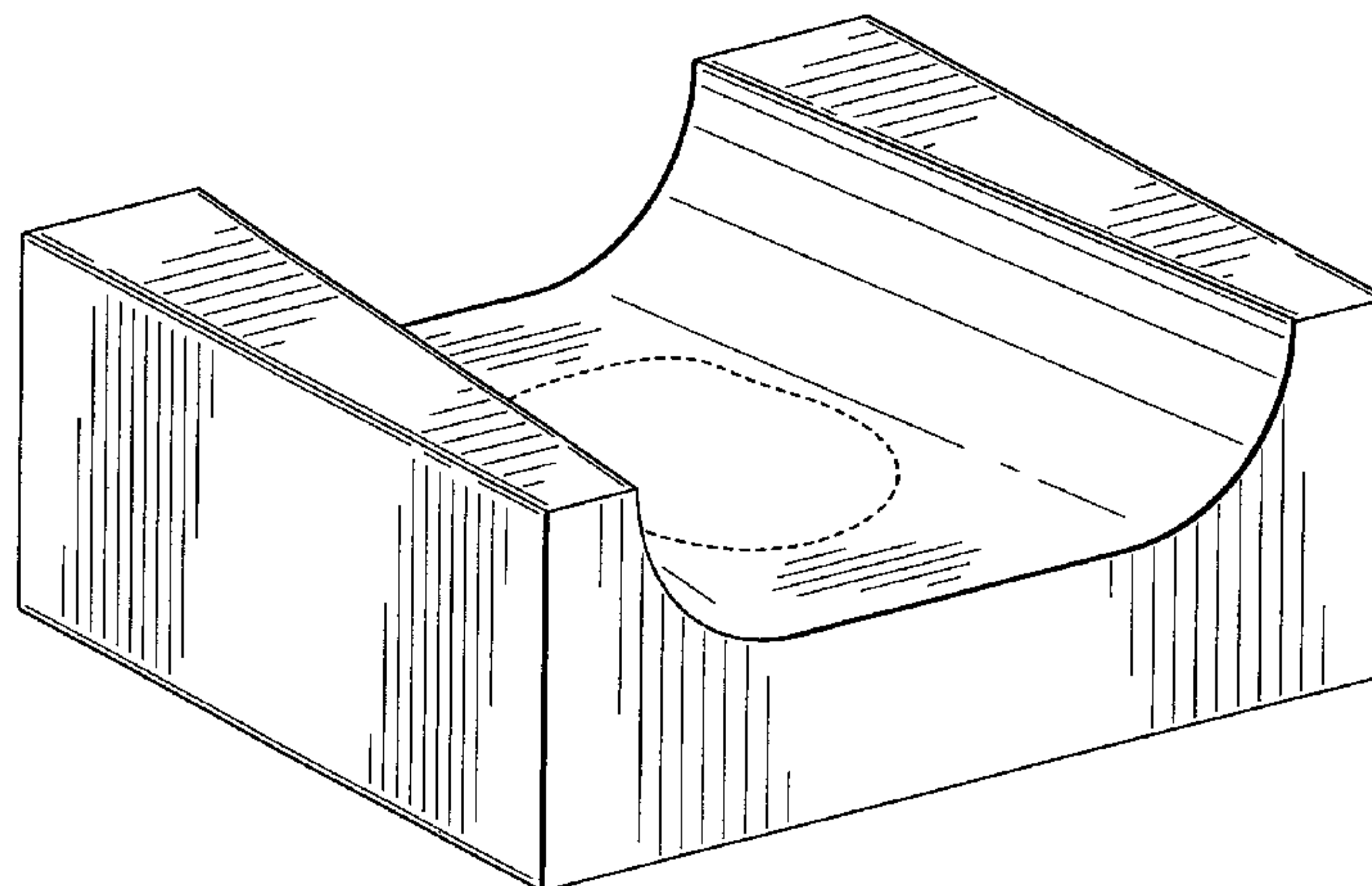
(57) **CLAIM**

The ornamental design for a package for an input device, as shown and described.

DESCRIPTION

FIG. 1 is a perspective view of a package for an input device showing our new design;
FIG. 2 is a front view thereof;
FIG. 3 is a top view thereof;
FIG. 4 is a bottom view thereof;
FIG. 5 is a left side view thereof; and,
FIG. 6 is a right side view thereof.
The back view of the package for an input device forms no part of the claimed design.
The broken line showing in FIGS. 1 and 2 is included for the purpose of illustrating an opening in the package and forms no part of the claimed design.

1 Claim, 4 Drawing Sheets



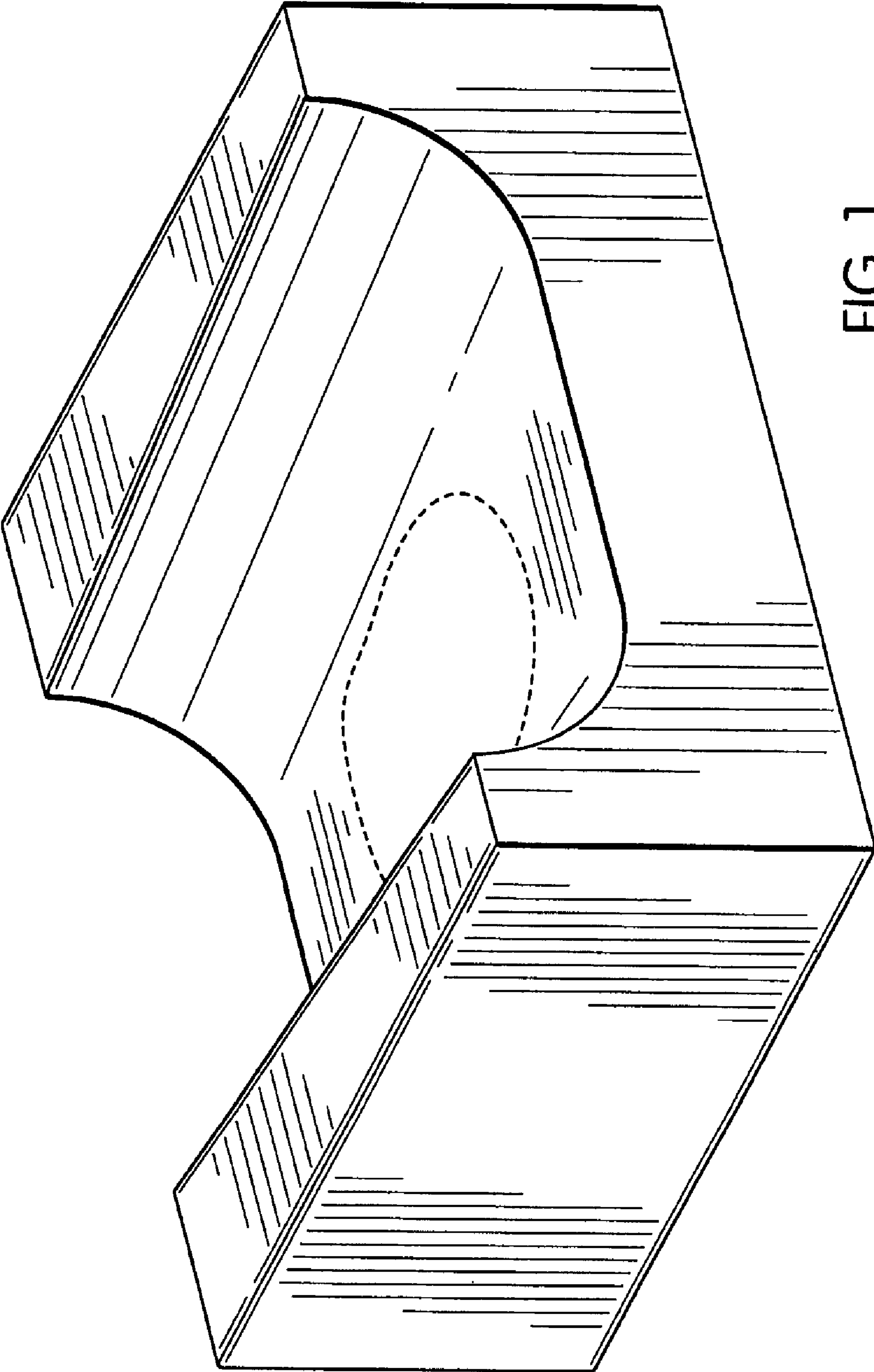


FIG. 1

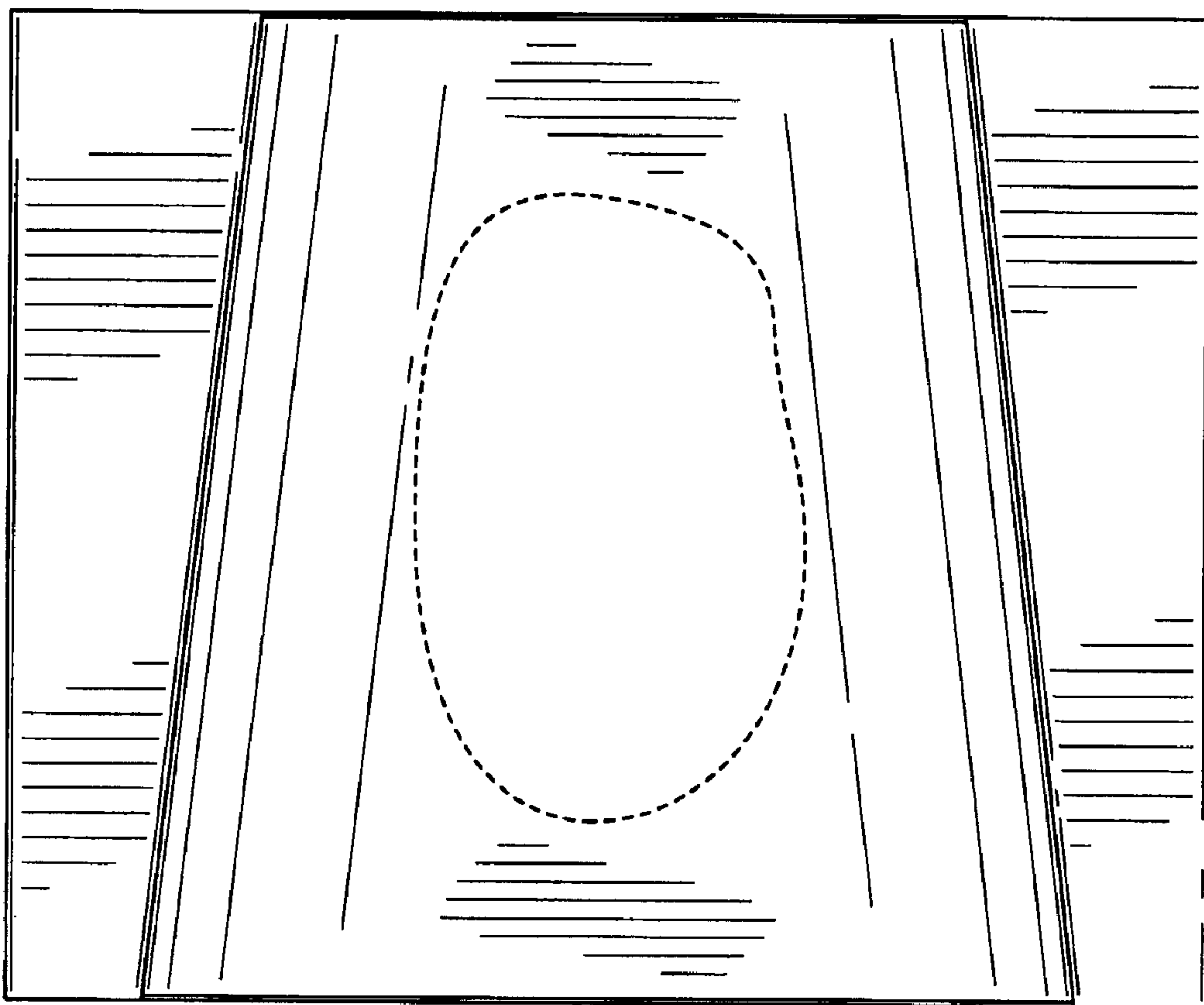


FIG. 2

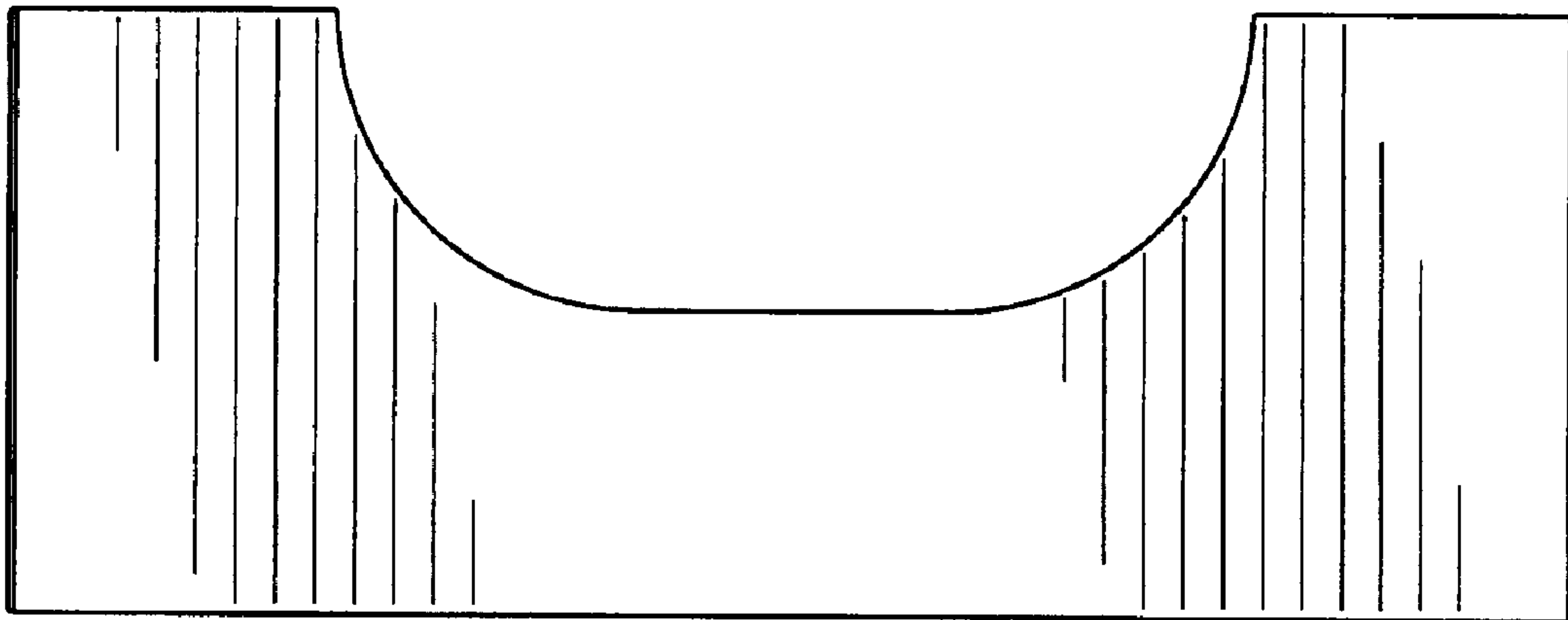


FIG. 3

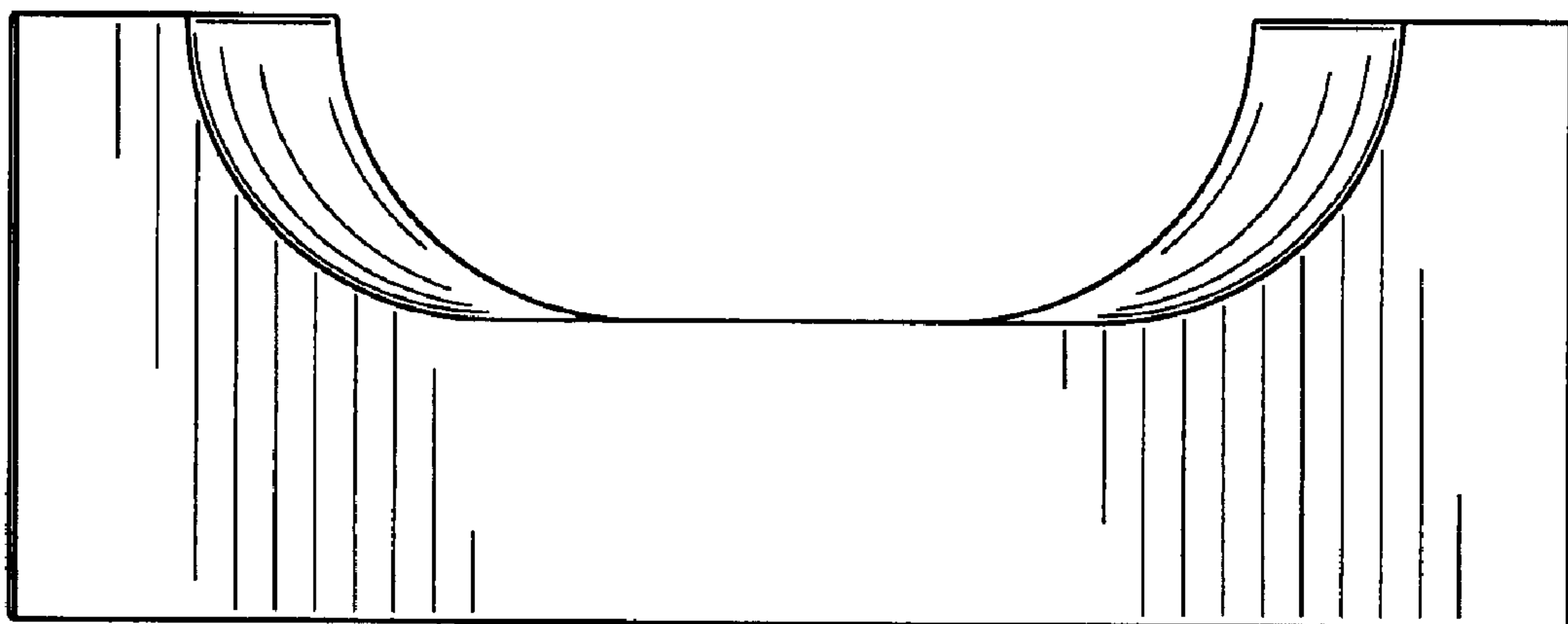


FIG. 4

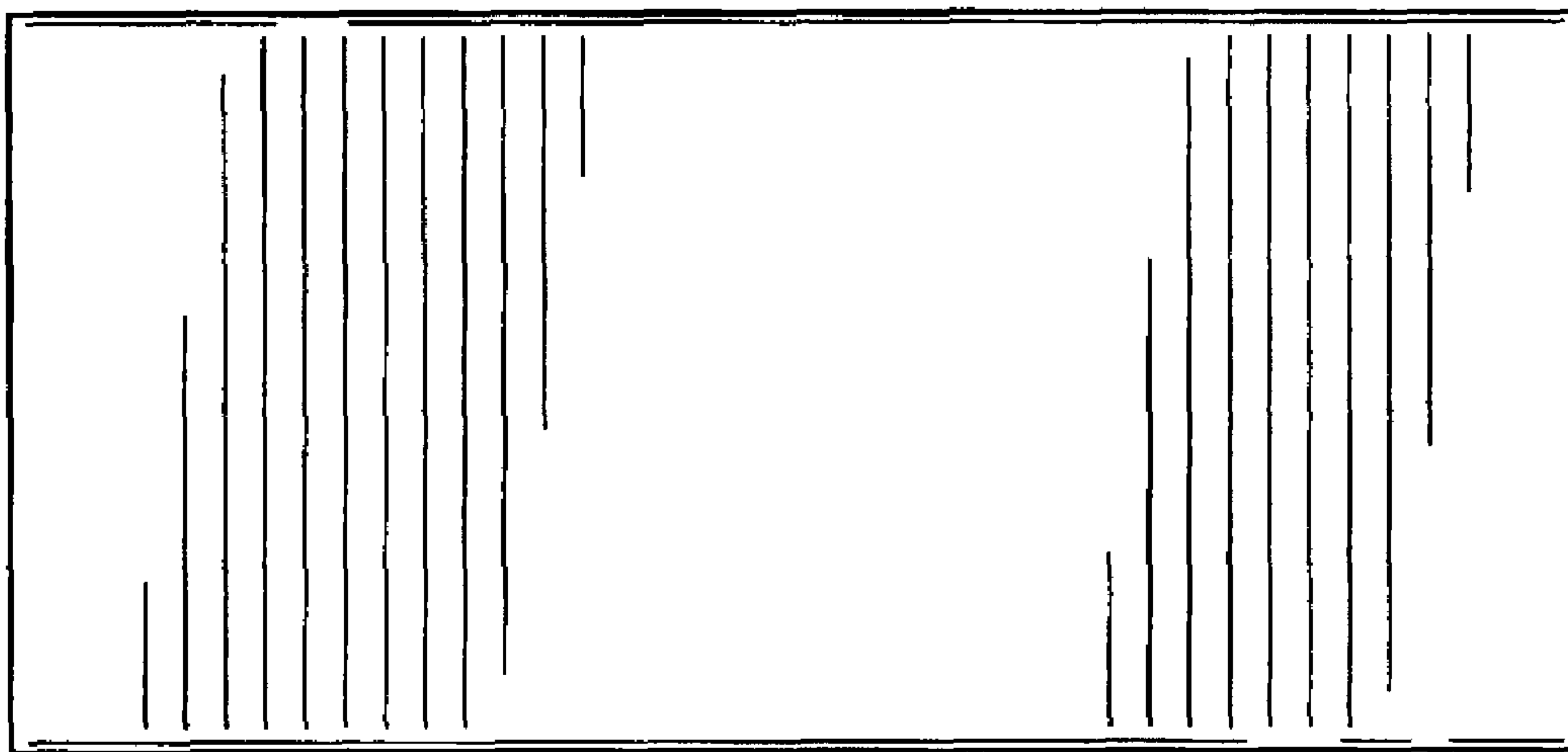


FIG. 5

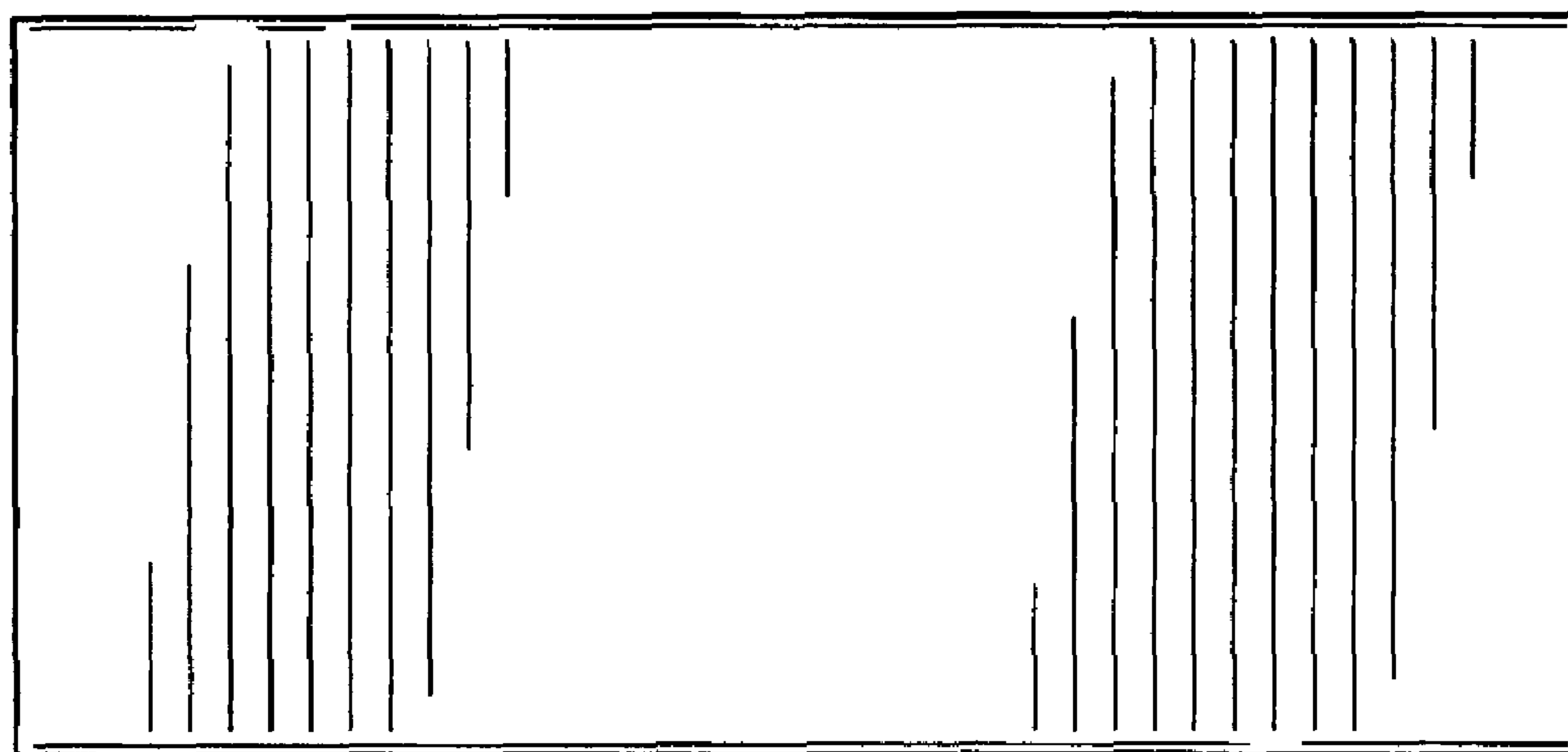


FIG. 6