



US00D536611S

(12) **United States Design Patent** (10) **Patent No.:** **US D536,611 S**
Peck (45) **Date of Patent:** **** Feb. 13, 2007**

(54) **FRUIT CONTAINER**

(75) Inventor: **Jeff Peck**, Langwarrin (AU)

(73) Assignee: **Bantec International Pty Ltd**,
Langwarrin (AU)

(**) Term: **14 Years**

(21) Appl. No.: **29/223,718**

(22) Filed: **Feb. 18, 2005**

(51) **LOC (8) Cl.** **09-03**

(52) **U.S. Cl.** **D9/428; D9/429**

(58) **Field of Classification Search** D9/428,
D9/414, 419, 422, 424, 426, 429; 220/62.13,
220/641, 913; 229/406; 426/106
See application file for complete search history.

(56) **References Cited**

U.S. PATENT DOCUMENTS

| | | | | | | |
|-----------|---|---|---------|-----------------|-------|---------|
| 4,244,470 | A | * | 1/1981 | Burnham | | 206/525 |
| D264,994 | S | * | 6/1982 | Ripley | | D24/117 |
| D292,311 | S | * | 10/1987 | Joyaux et al. | | D23/366 |
| D349,976 | S | * | 8/1994 | Connell | | D28/76 |
| D385,784 | S | * | 11/1997 | Krupa et al. | | D9/425 |
| D412,115 | S | * | 7/1999 | D'Andrea | | D9/428 |
| D452,373 | S | * | 12/2001 | Horntrich | | D3/294 |
| D465,614 | S | * | 11/2002 | Petit | | D28/76 |
| D475,288 | S | * | 6/2003 | Hoffmann et al. | | D9/426 |

* cited by examiner

Primary Examiner—Stella Reid
Assistant Examiner—Derrick Holland
(74) *Attorney, Agent, or Firm*—Duane Morris, LLP

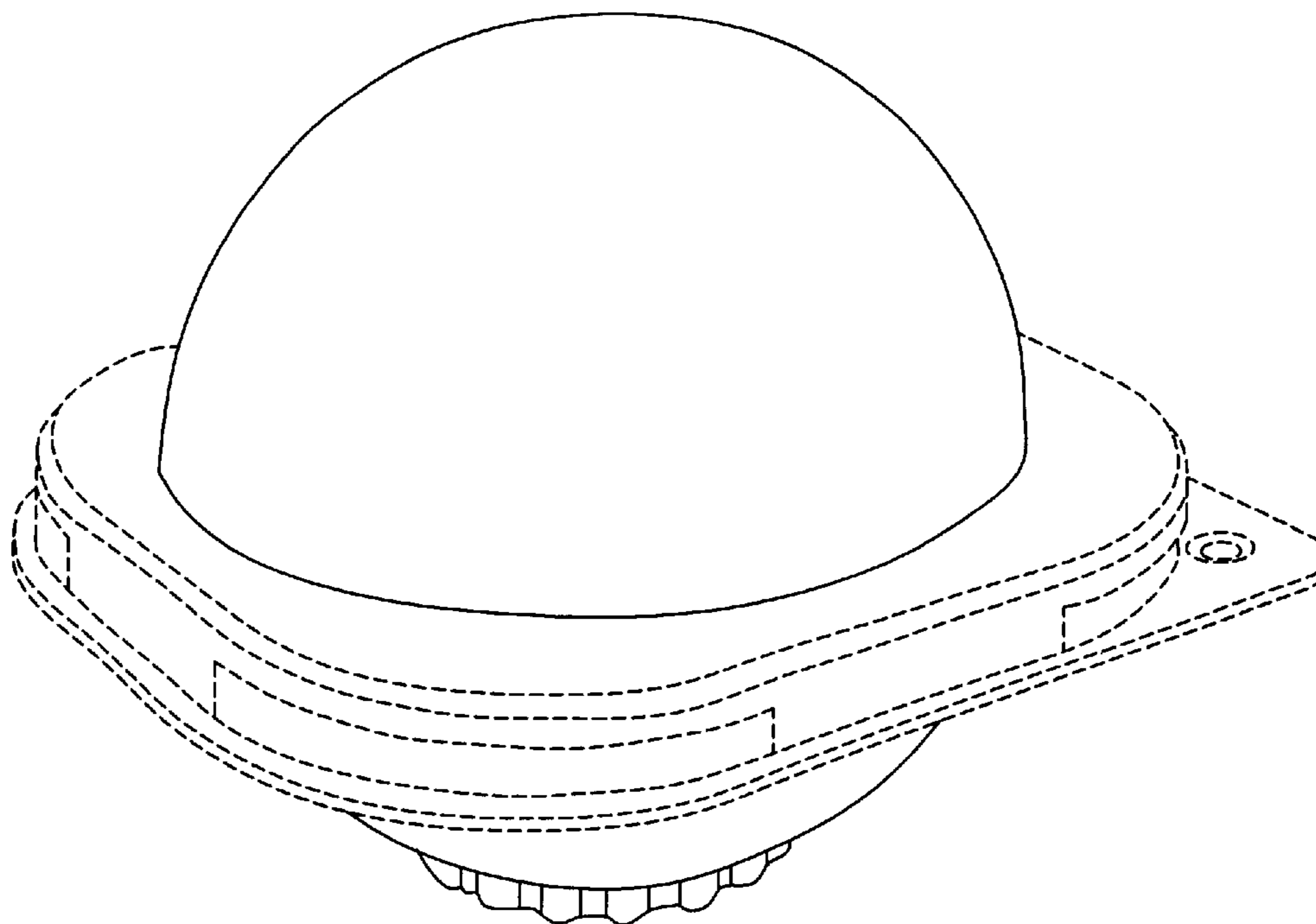
(57) **CLAIM**

The ornamental design for a fruit container, as shown and described.

DESCRIPTION

FIG. 1 is a perspective view of a fruit container, showing my new design;
FIG. 2 is a front view with the rear view being a mirror image thereof;
FIG. 3 is a top plan view thereof;
FIG. 4 is a left-side view with the right-side view being a mirror image thereof;
FIG. 5 is a bottom plan view thereof;
FIG. 6 is a perspective view of the lid;
FIG. 7 is a front view of the lid with the rear view being a mirror image thereof;
FIG. 8 is a left-side view of the lid with the right-side view being a mirror image thereof;
FIG. 9 is a bottom plan view of the lid;
FIG. 10 is a perspective view of the base;
FIG. 11 is a front view of the base with the rear view being a mirror image thereof;
FIG. 12 is a left-side view of the base with the right-side view being a mirror image thereof; and,
FIG. 13 is a top plan view of the base.
The broken lines in the several views of the fruit container illustrate environmental structure that forms no part of the design to be patented.

1 Claim, 7 Drawing Sheets



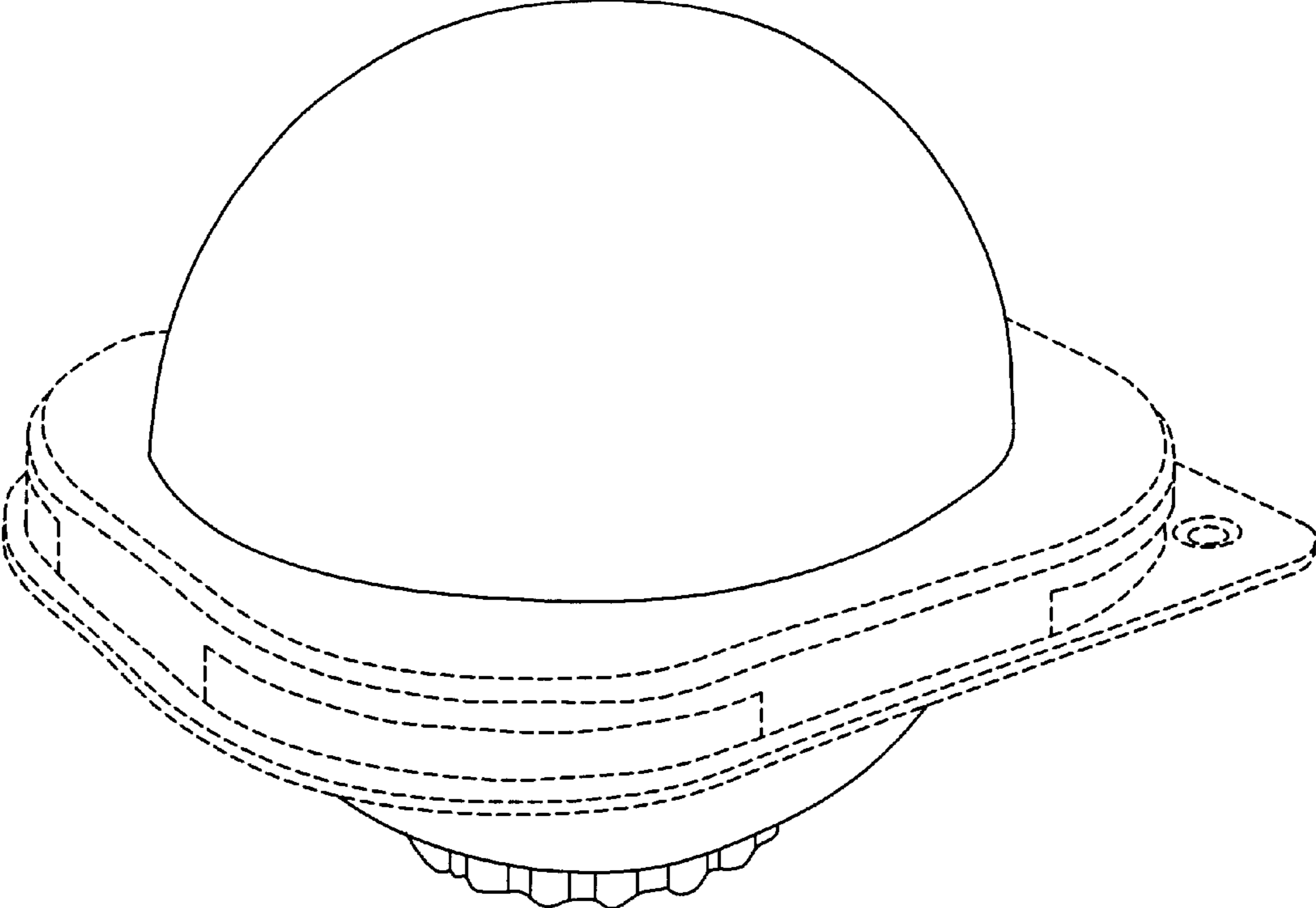


Figure 1

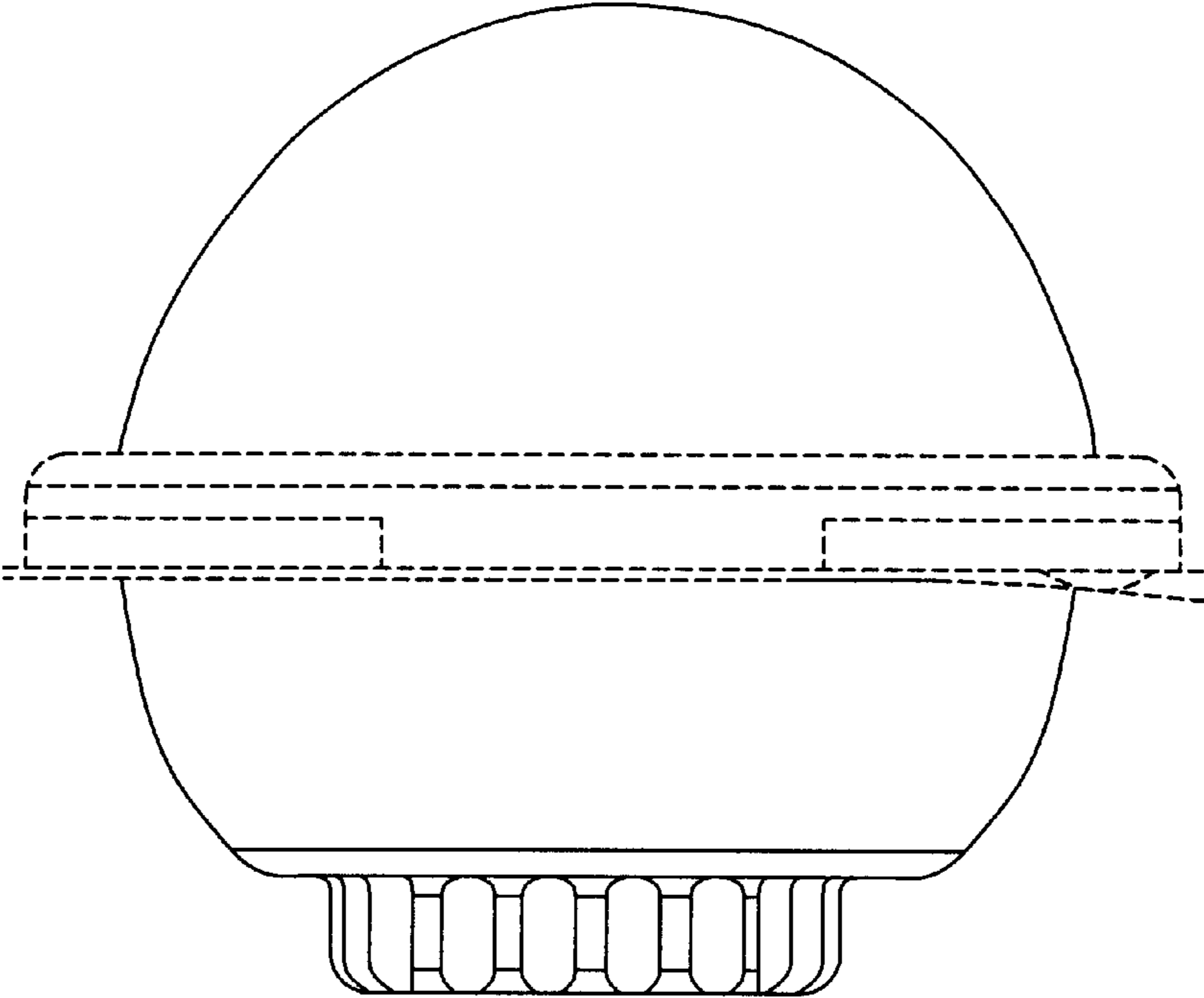


Figure 2

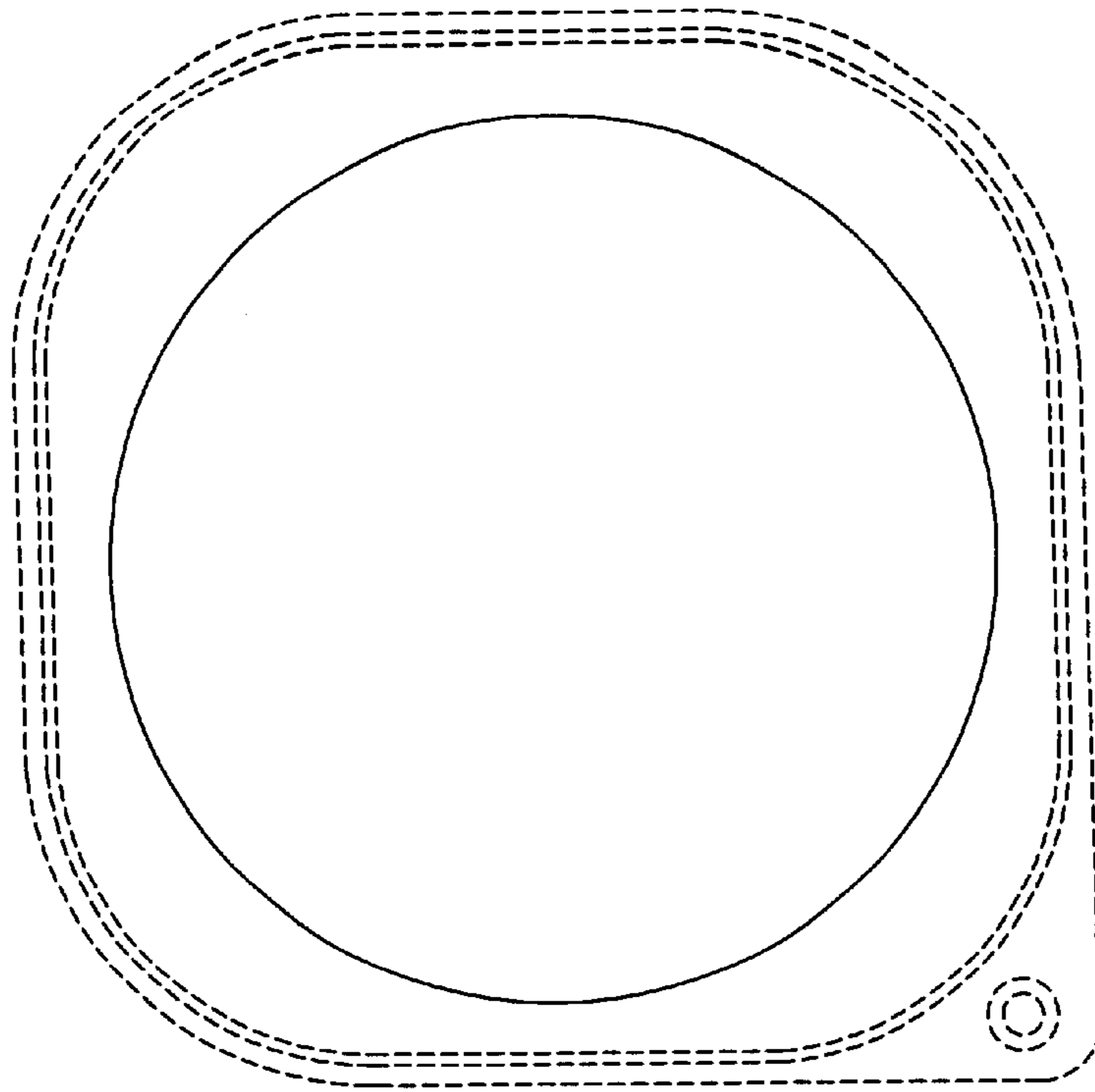


Figure 3

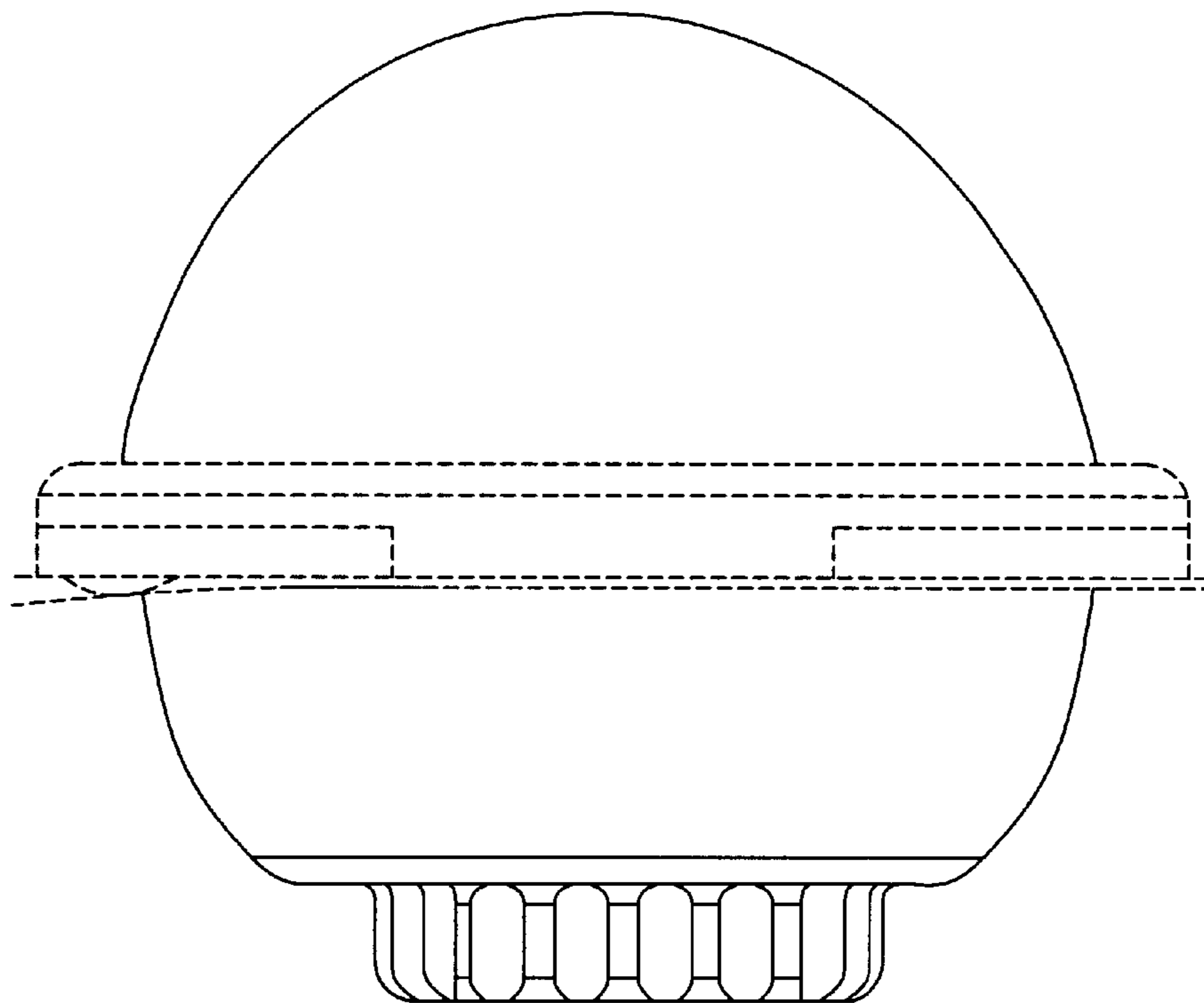


Figure 4

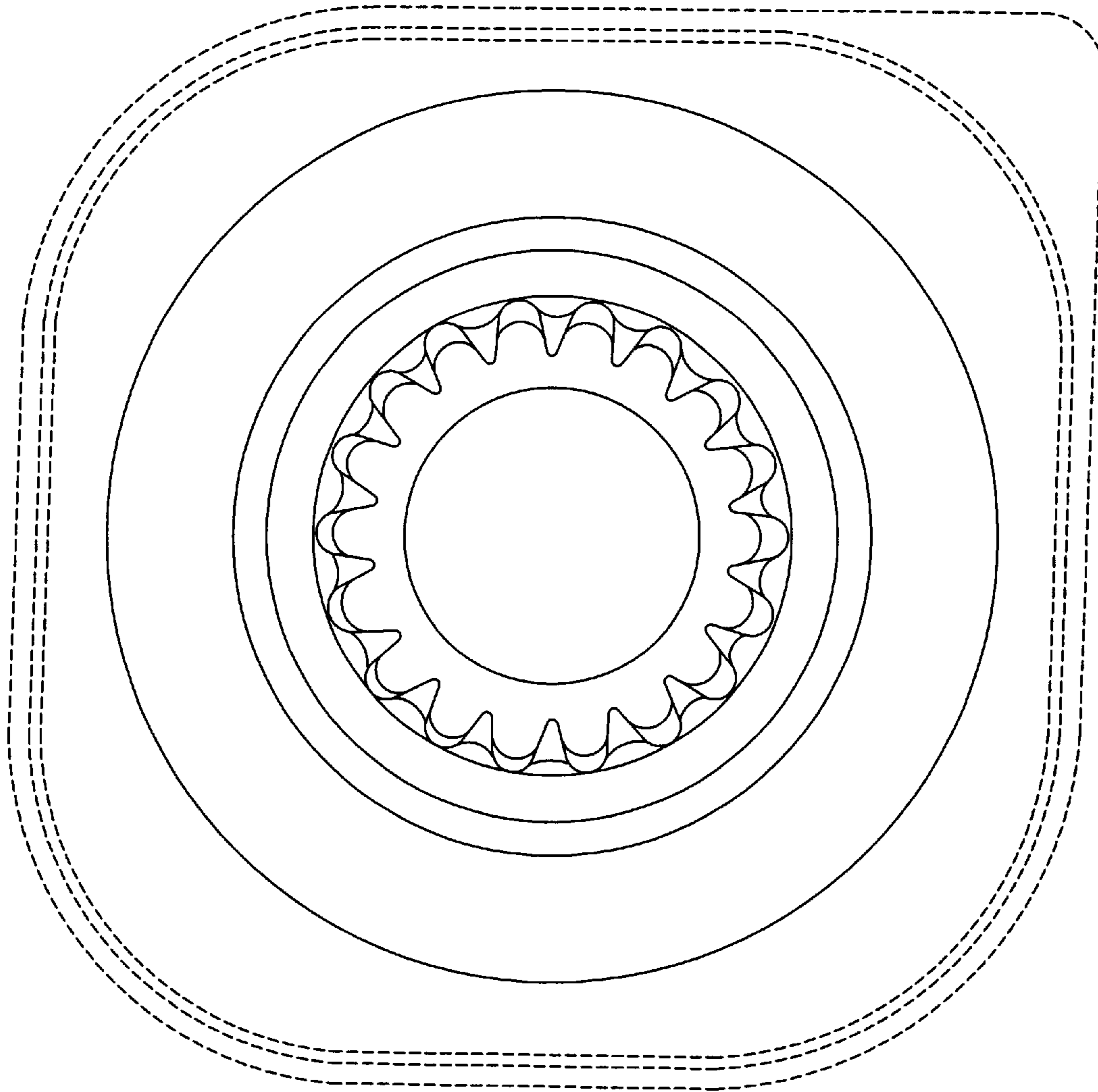


Figure 5

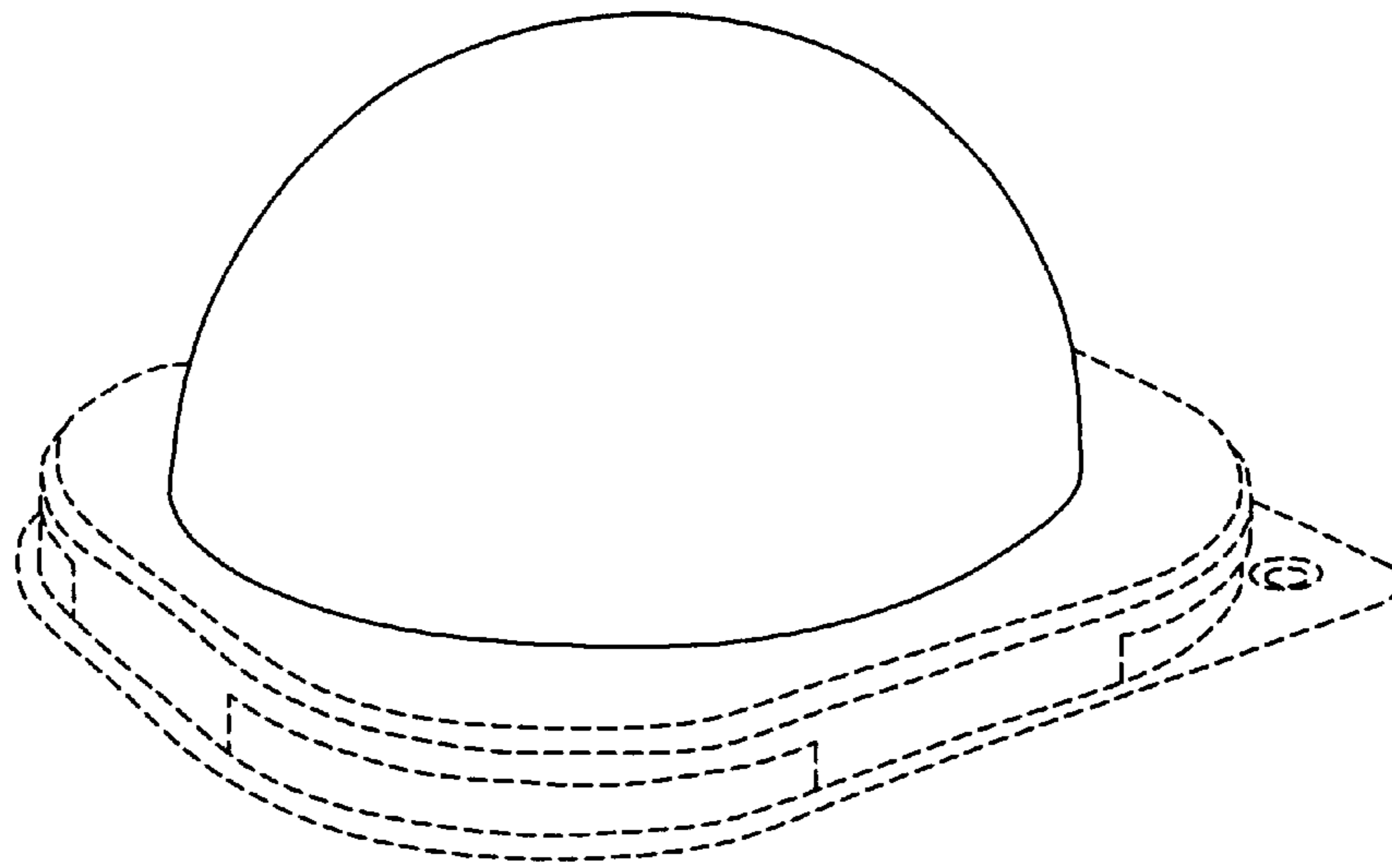


Figure 6

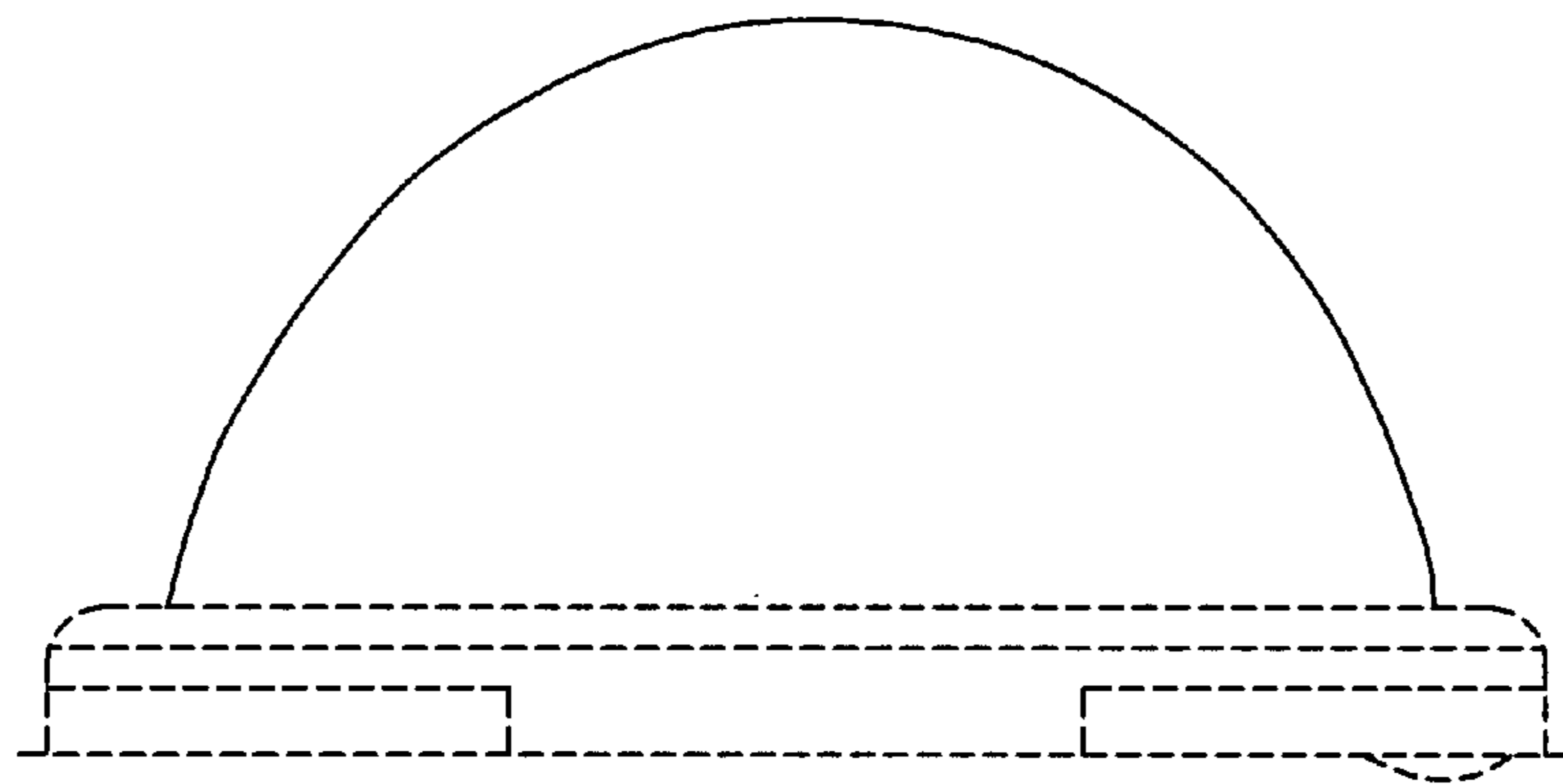


Figure 7

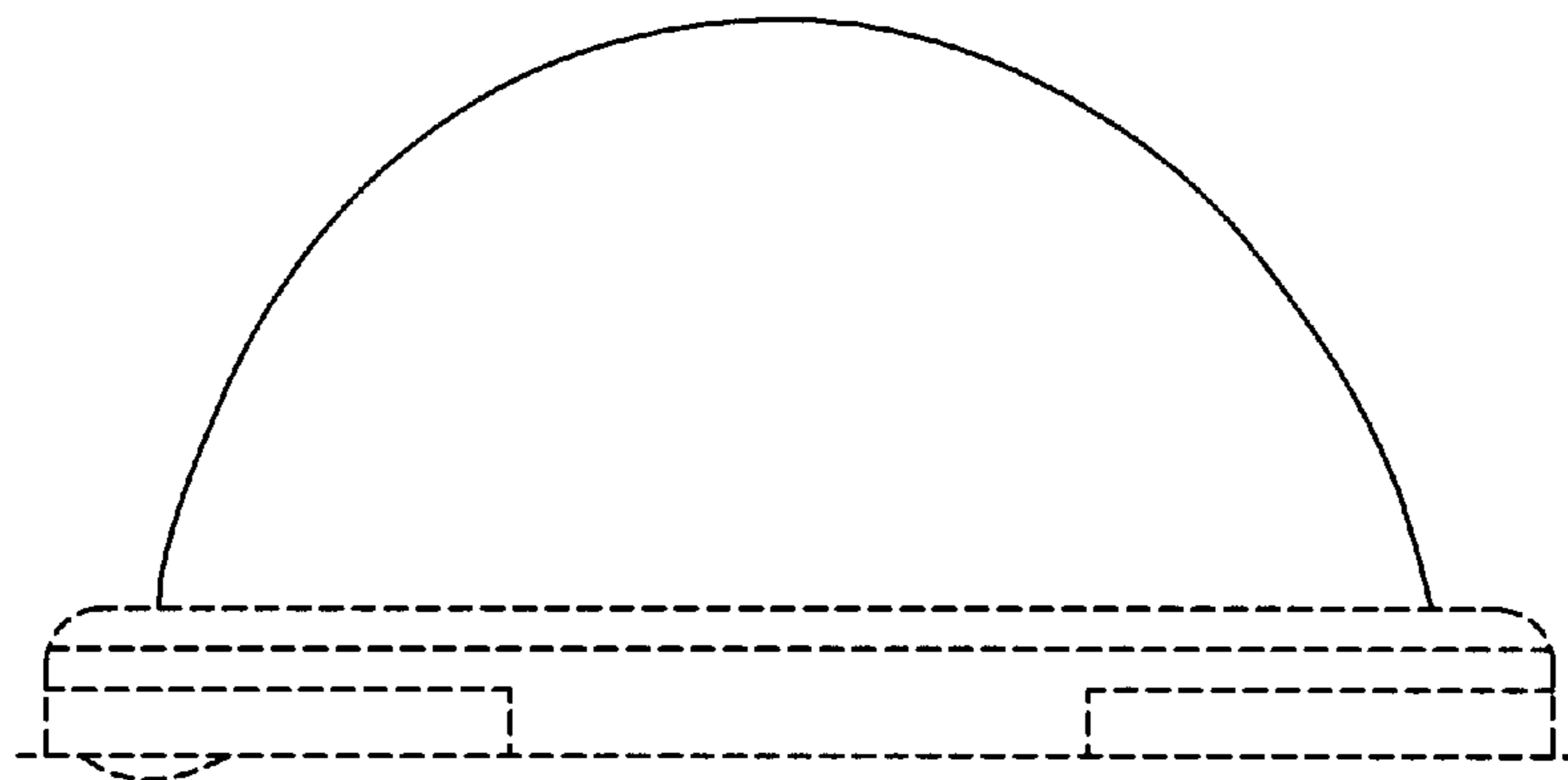


Figure 8

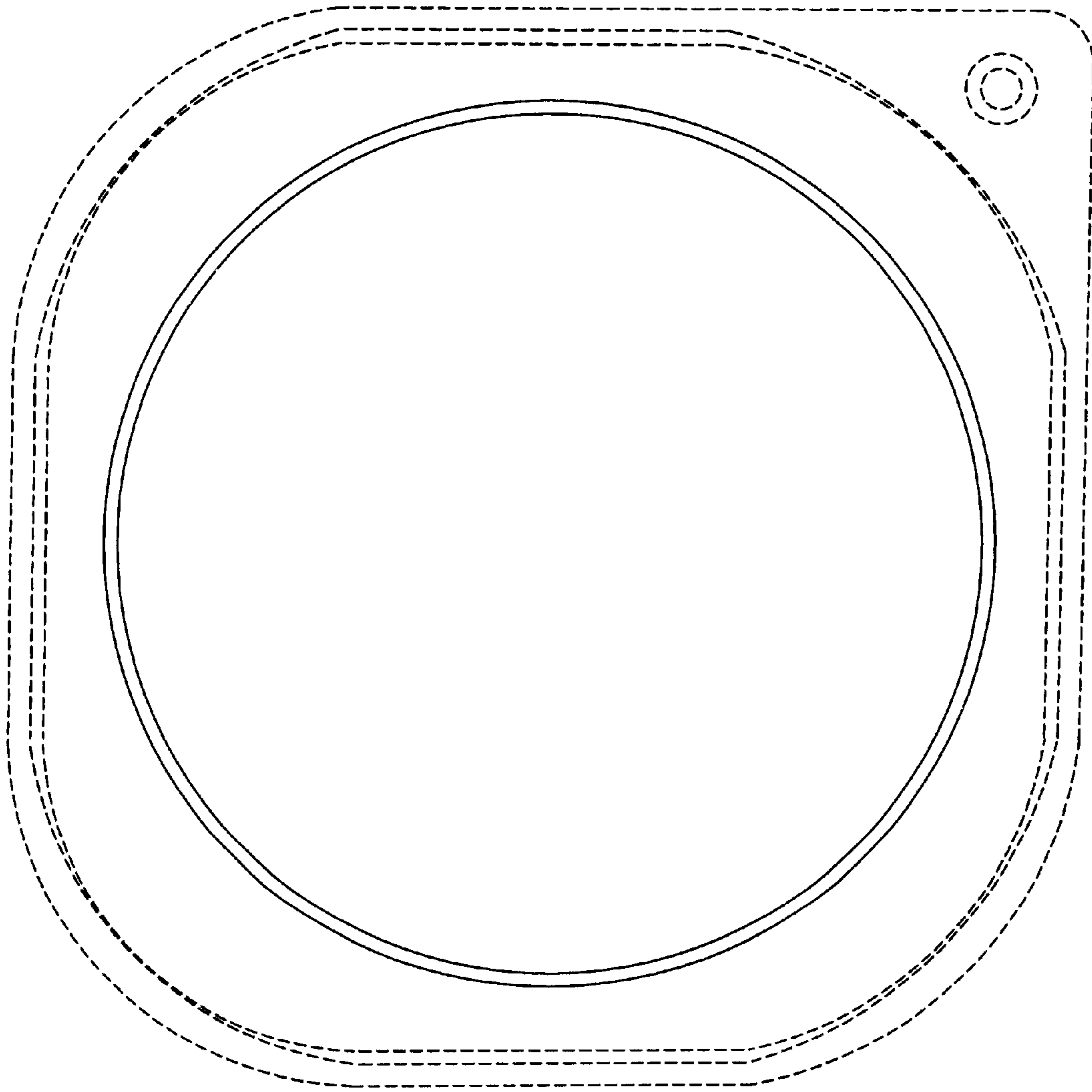


Figure 9

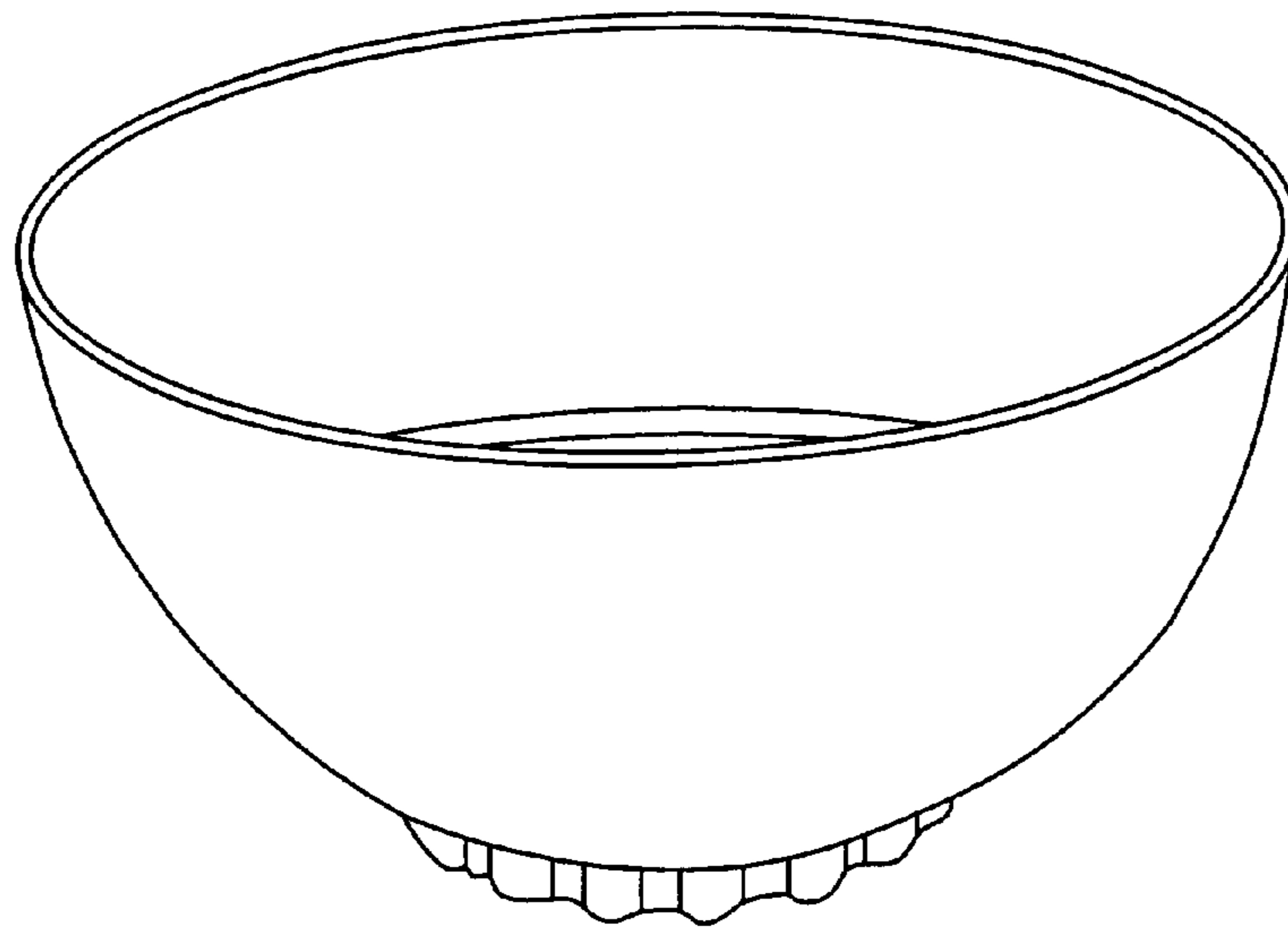


Figure 10

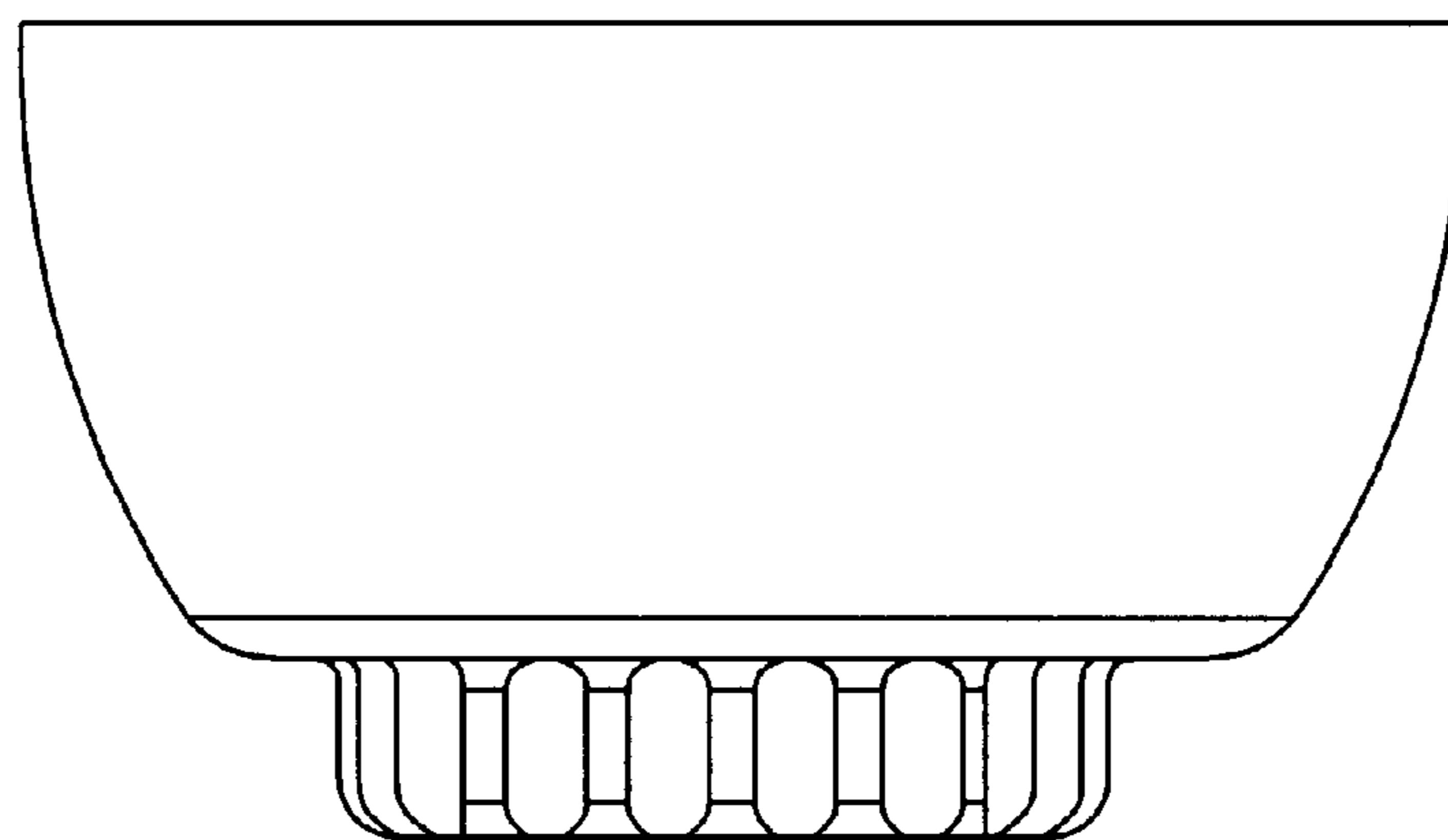


Figure 11

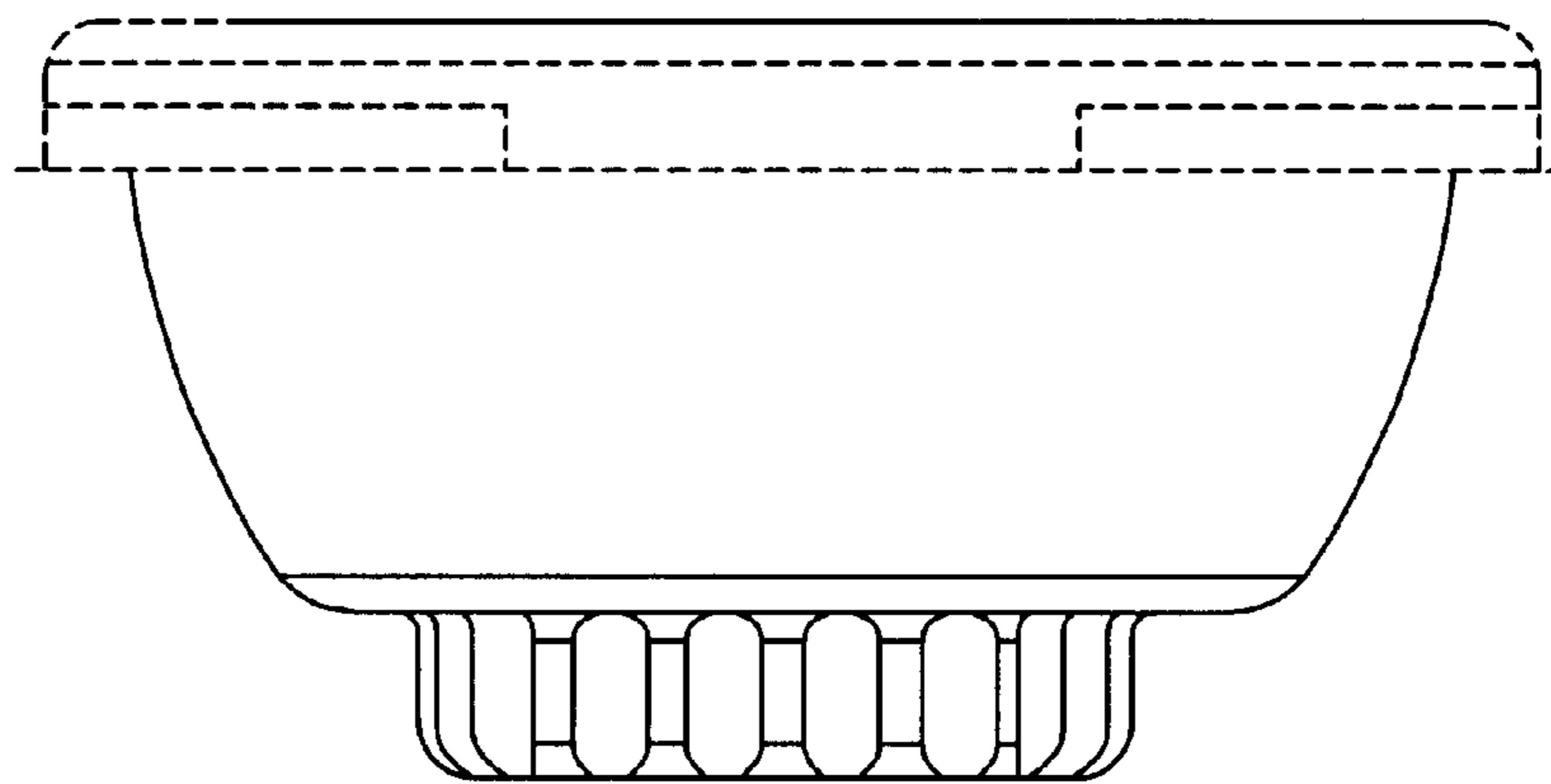


Figure 12

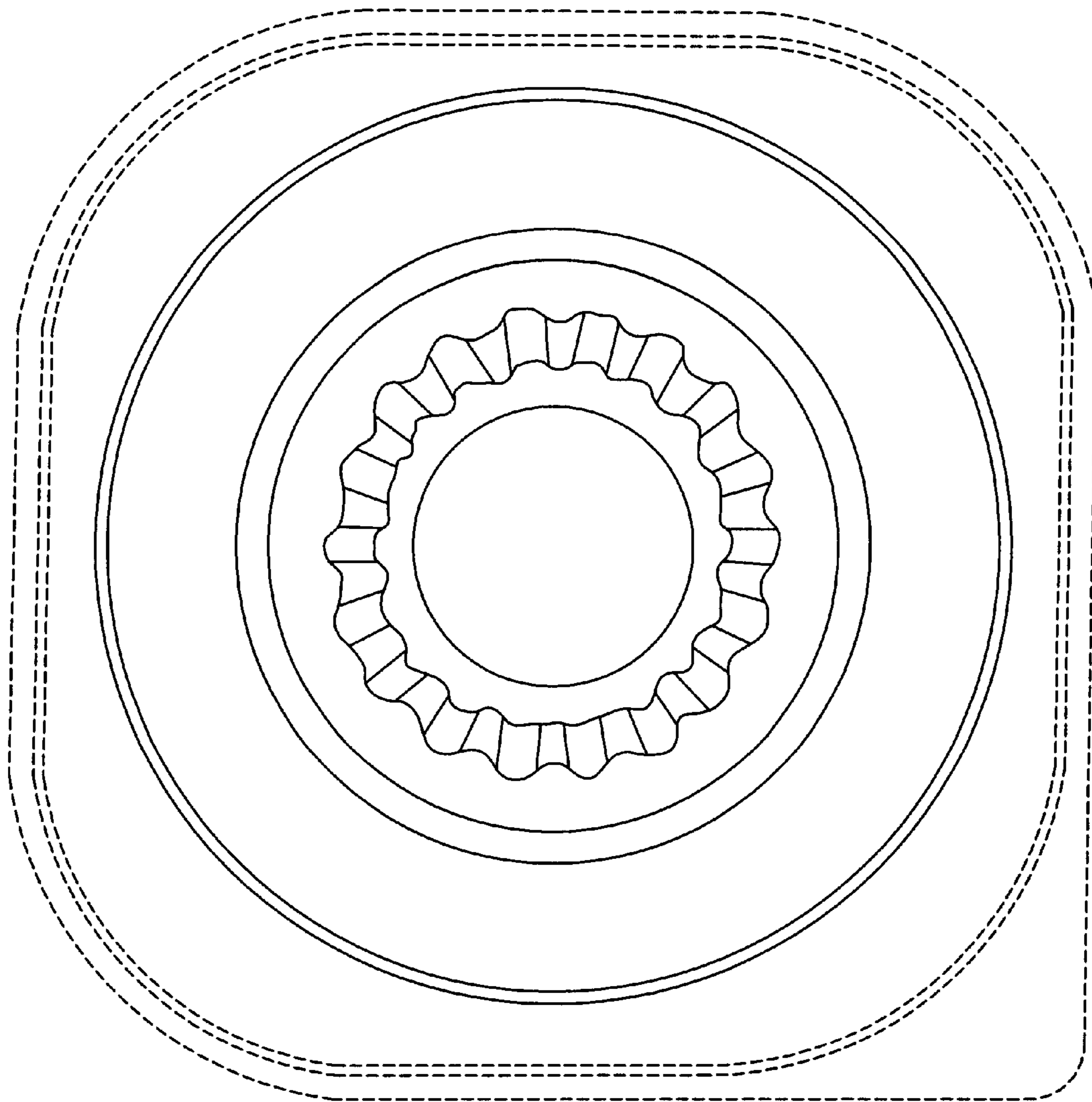


Figure 13