



US00D536610S

(12) **United States Design Patent**
Katz

(10) **Patent No.:** **US D536,610 S**

(45) **Date of Patent:** **** Feb. 13, 2007**

(54) **POP-UP PACKAGE ASSEMBLY**

(76) Inventor: **Jonathan Katz**, 61 Hilltop Rd., Short Hills, NJ (US) 07078

(**) Term: **14 Years**

(21) Appl. No.: **29/205,059**

(22) Filed: **May 6, 2004**

(51) **LOC (8) Cl.** **09-03**

(52) **U.S. Cl.** **D9/420; D6/626**

(58) **Field of Classification Search** D9/420, D9/423, 424, 426, 432, 433; D6/407, 626, D6/627; 40/124.1; 206/15, 308.1, 309, 310, 206/312, 494, 495; 229/939

See application file for complete search history.

(56) **References Cited**

U.S. PATENT DOCUMENTS

4,949,482	A	*	8/1990	Price	40/124.08
5,085,318	A	*	2/1992	Leverick	206/308.1
5,154,284	A	*	10/1992	Starkey	206/308.1
D369,106	S	*	4/1996	Baker et al.	D9/433
D382,797	S	*	8/1997	House	D9/433

5,931,293	A	*	8/1999	Seelenmeyer	206/308.1
D431,955	S	*	10/2000	Peterson et al.	D6/632
D436,966	S	*	1/2001	Ryan	D14/478
6,386,370	B1	*	5/2002	Wigton et al.	206/763
D502,041	S	*	2/2005	Wynalda et al.	D6/632

* cited by examiner

Primary Examiner—Prabhakar Deshmukh

Assistant Examiner—Derrick Holland

(74) *Attorney, Agent, or Firm*—Anderson Kill & Olick, P.C.

(57) **CLAIM**

The ornamental design for a pop-up package assembly, as shown and described.

DESCRIPTION

FIG. 1 is a perspective view of a pop-up package assembly showing my new design;

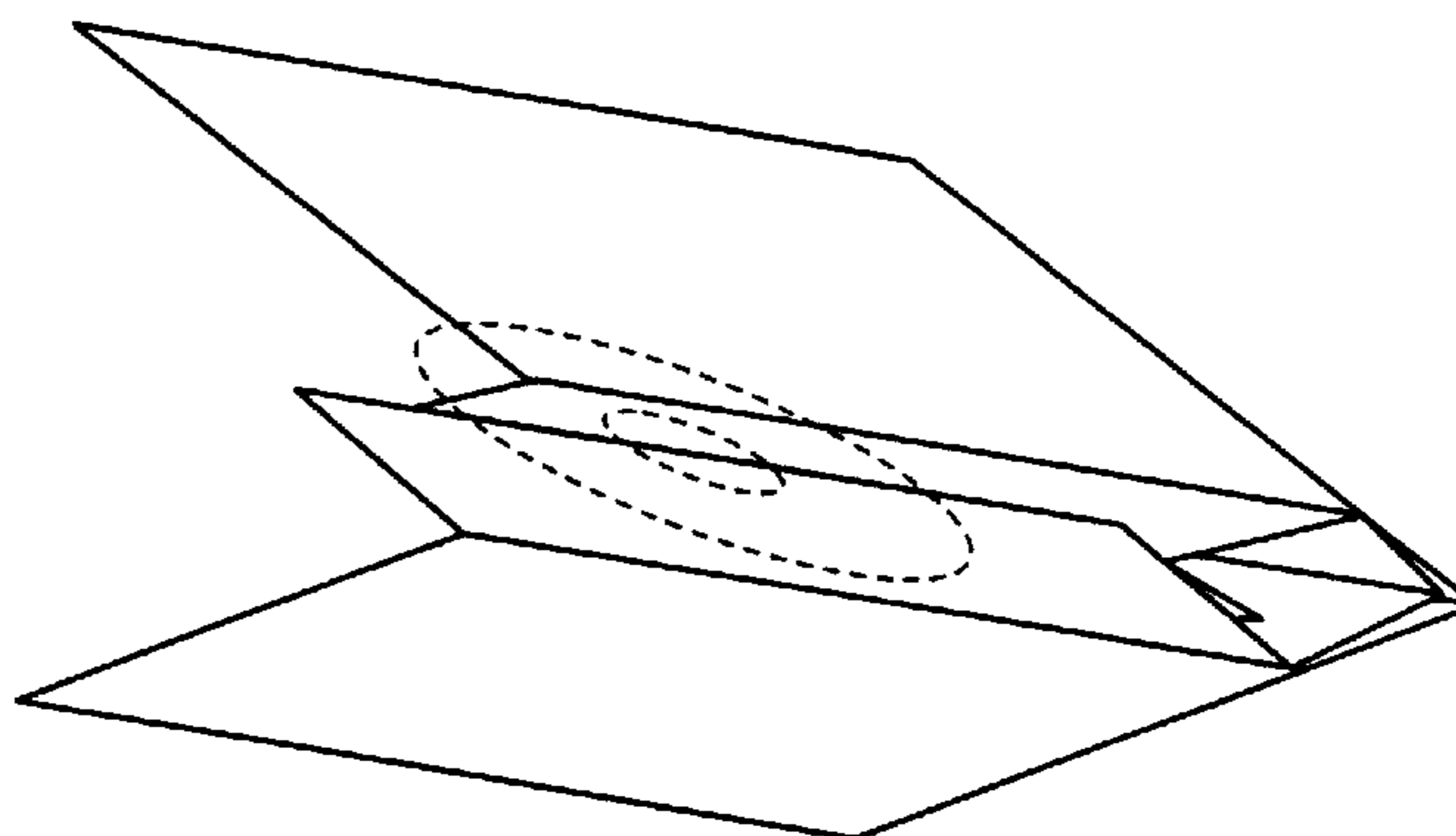
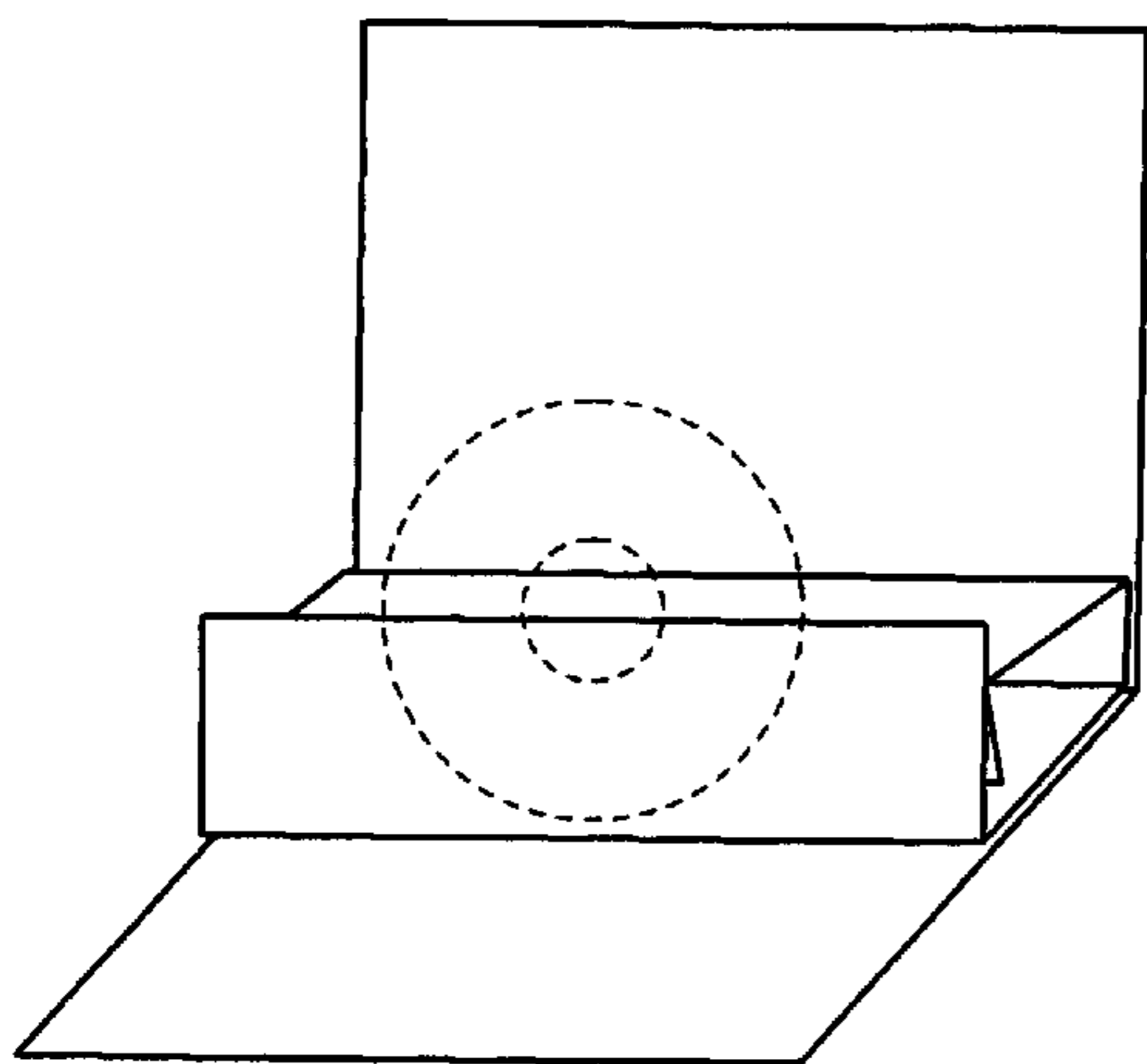
FIG. 2 is another perspective view thereof;

FIG. 3 is another perspective view thereof; and,

FIG. 4 is another perspective view thereof, in a partially closed position.

The broken lines showing are for illustrative purposes only and form no part of the claimed design.

1 Claim, 1 Drawing Sheet



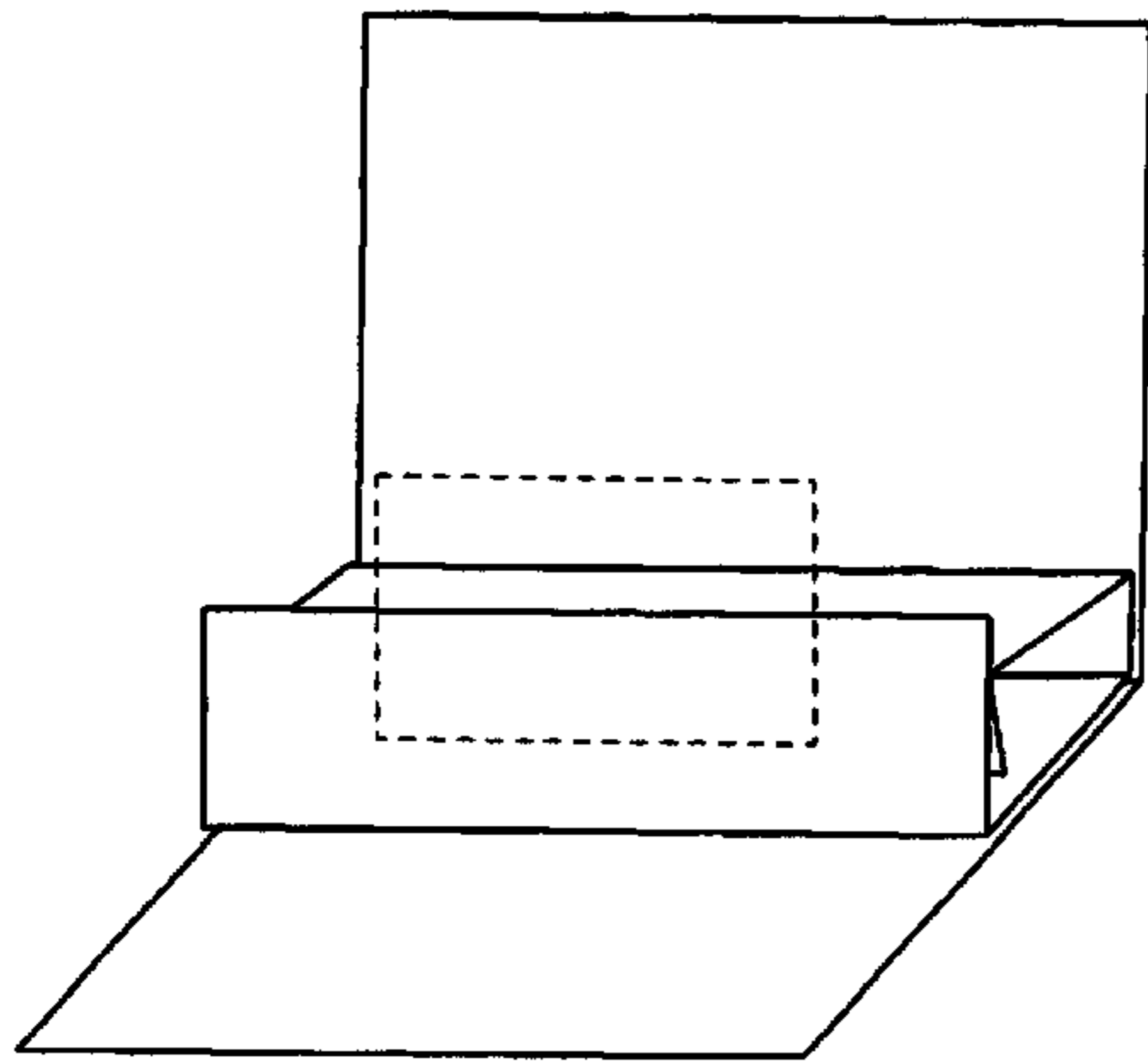


FIG. 1

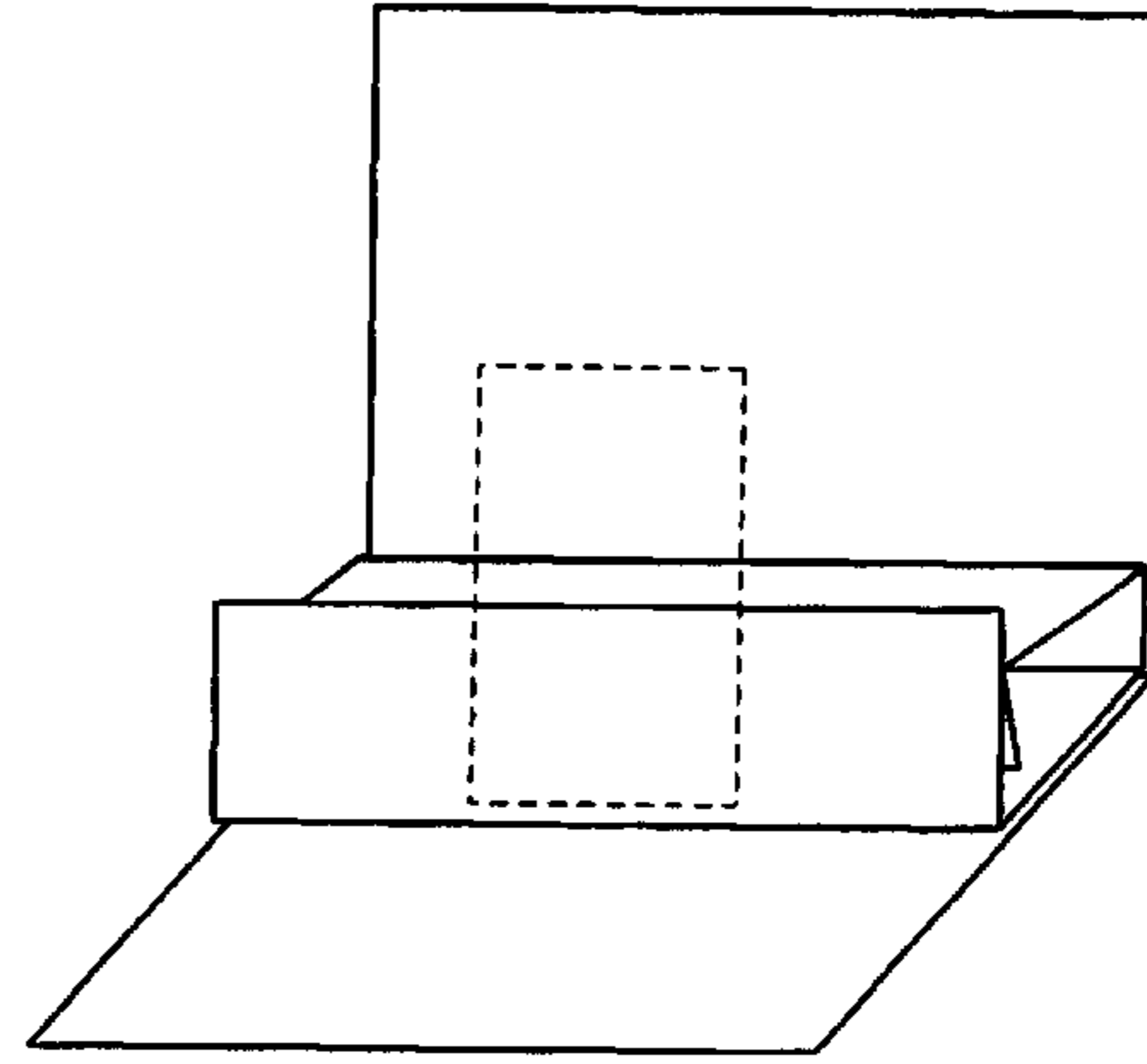


FIG. 2

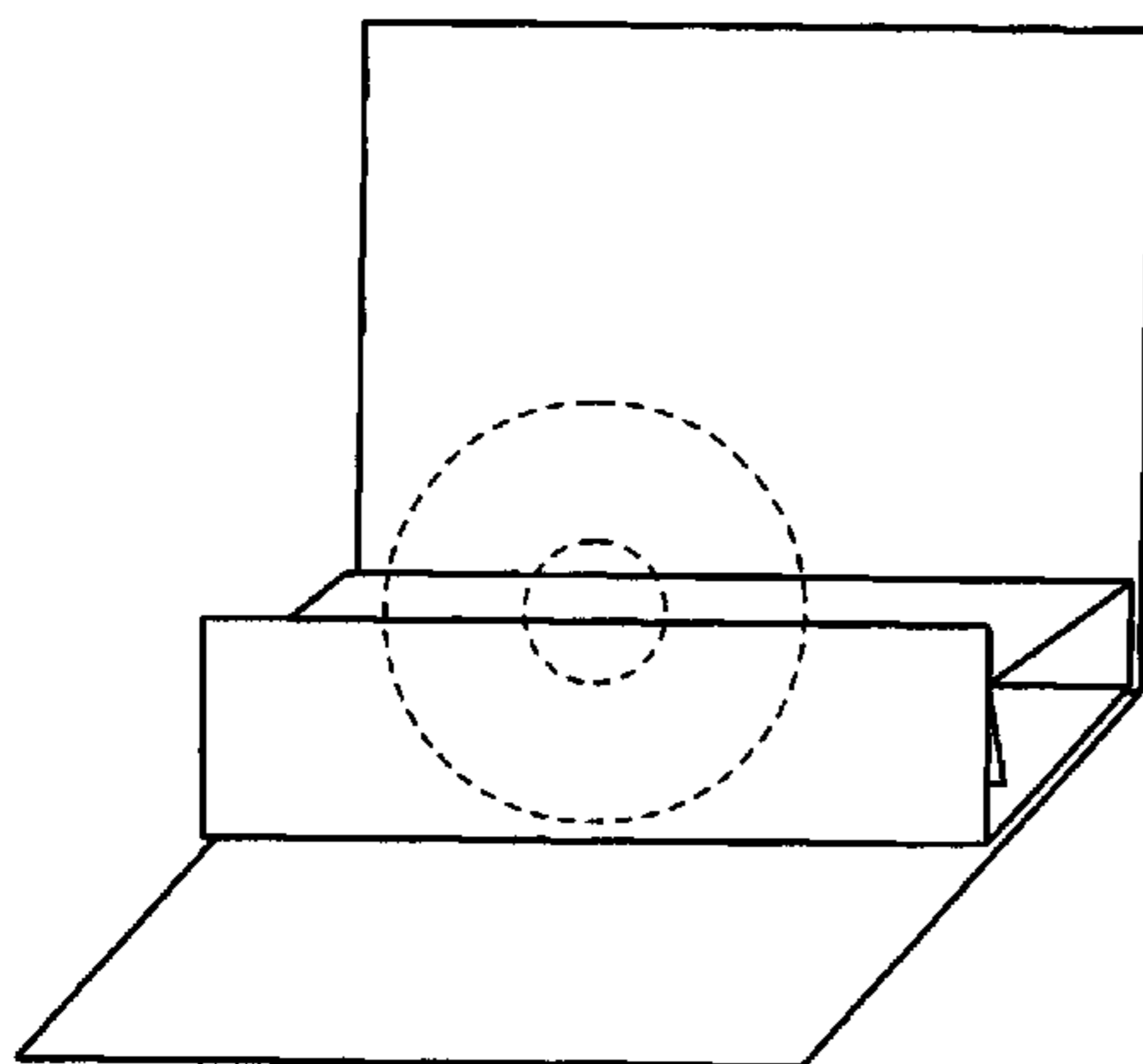


FIG. 3

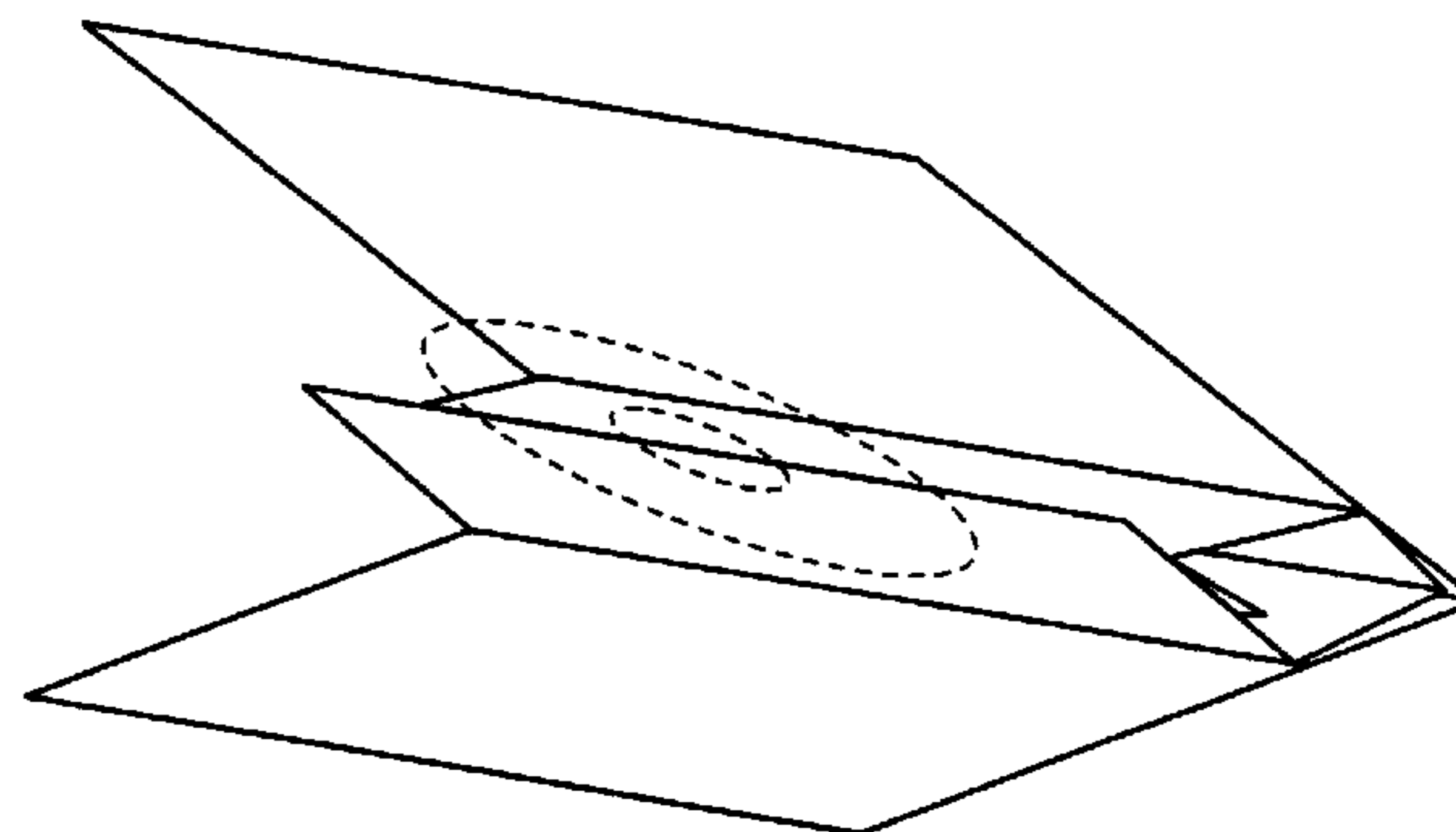


FIG. 4