



US00D536607S

(12) **United States Design Patent**
Bekkevold

(10) **Patent No.:** **US D536,607 S**

(45) **Date of Patent:** **** Feb. 13, 2007**

(54) **CLAMP FOR PIPES**

6,030,006 A 2/2000 Lin
6,533,333 B1 3/2003 Radzik

(76) **Inventor:** **Knut Havard Bekkevold,**
Hulbakkroken 11, Hof (NO), 3090

FOREIGN PATENT DOCUMENTS

(**) **Term:** **14 Years**

DE	841 251	6/1952
DE	3038491	4/1982
DE	2911575	11/1982
FR	2 775 753	9/1999
GB	2051213	1/1981
GB	2098297	11/1982

(21) **Appl. No.:** **29/205,623**

(22) **Filed:** **May 19, 2004**

(30) **Foreign Application Priority Data**

Nov. 28, 2003 (NO) 2003 0667

* cited by examiner

(51) **LOC (8) Cl.** **08-08**

Primary Examiner—Louis S. Zarfes

(52) **U.S. Cl.** **D8/396**

Assistant Examiner—John Windmuller

(58) **Field of Classification Search** D8/356,
D8/371, 394–396, 499, 53, 100, 365; D12/51;
D19/65, 90; D28/39, 40, 42; 24/546, 563,
24/910, 327, 334, DIG. 8, DIG. 9, DIG. 13,
24/DIG. 28; 248/74.2, 300, 301, 316.7, 229.26
See application file for complete search history.

(74) *Attorney, Agent, or Firm*—Christian D. Abel

(57) **CLAIM**

The ornamental design for a clamp for pipes, as shown and described.

(56) **References Cited**

DESCRIPTION

U.S. PATENT DOCUMENTS

D199,695 S	*	12/1964	Engman	D8/396
D209,702 S	*	12/1967	Hanrahan	D8/395
D229,100 S	*	11/1973	Wladis	D12/51
D376,974 S	*	12/1996	Chen	D8/396
5,675,873 A		10/1997	Gross		

FIG. 1 is a perspective view of a clamp for pipes showing my new design;

FIG. 2 is a left side elevational view thereof;

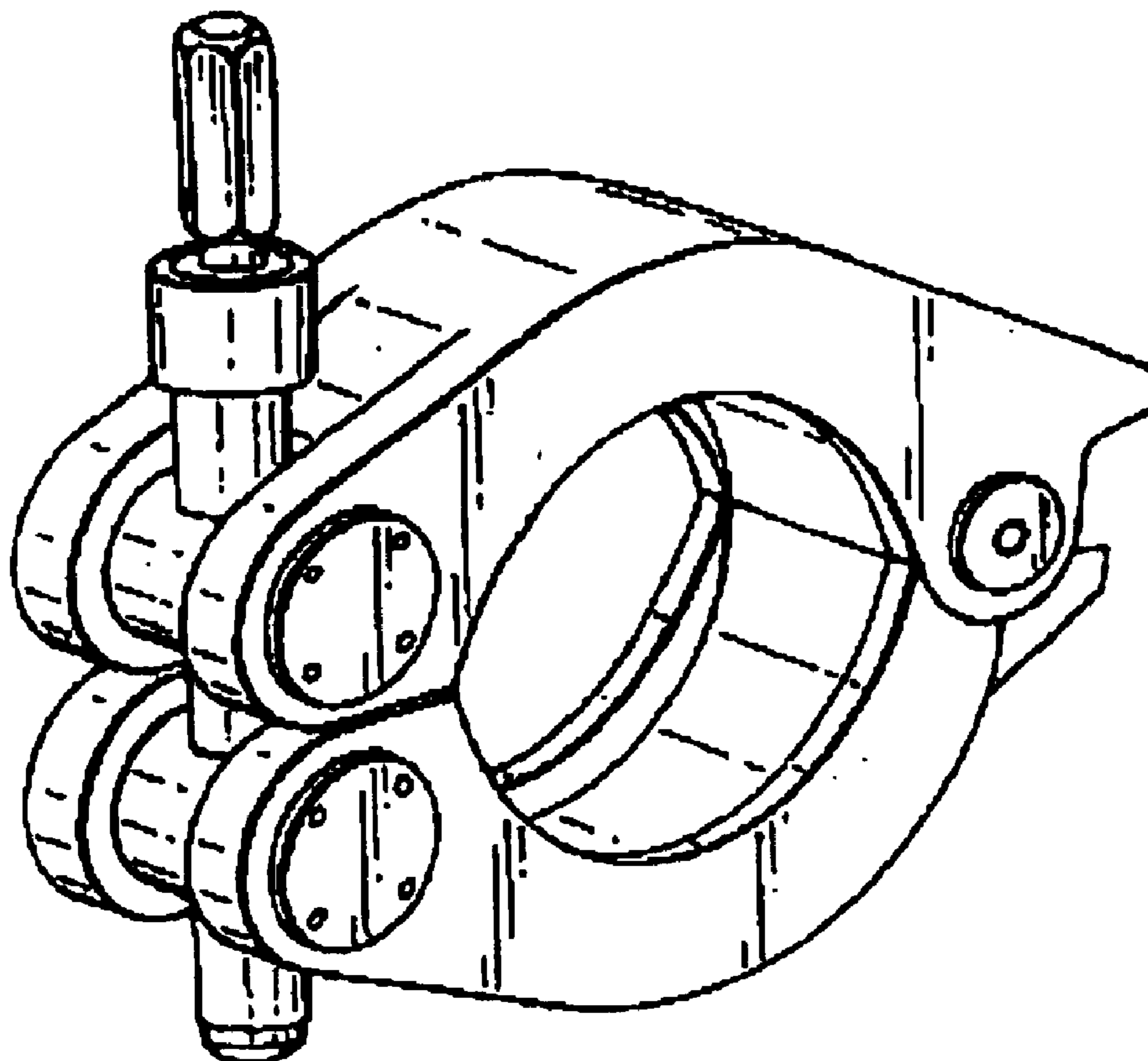
FIG. 3 is a front elevational view thereof;

FIG. 4 is a rear elevational view thereof;

FIG. 5 is a top plan view thereof; and,

FIG. 6 is a bottom plan view thereof.

1 Claim, 2 Drawing Sheets



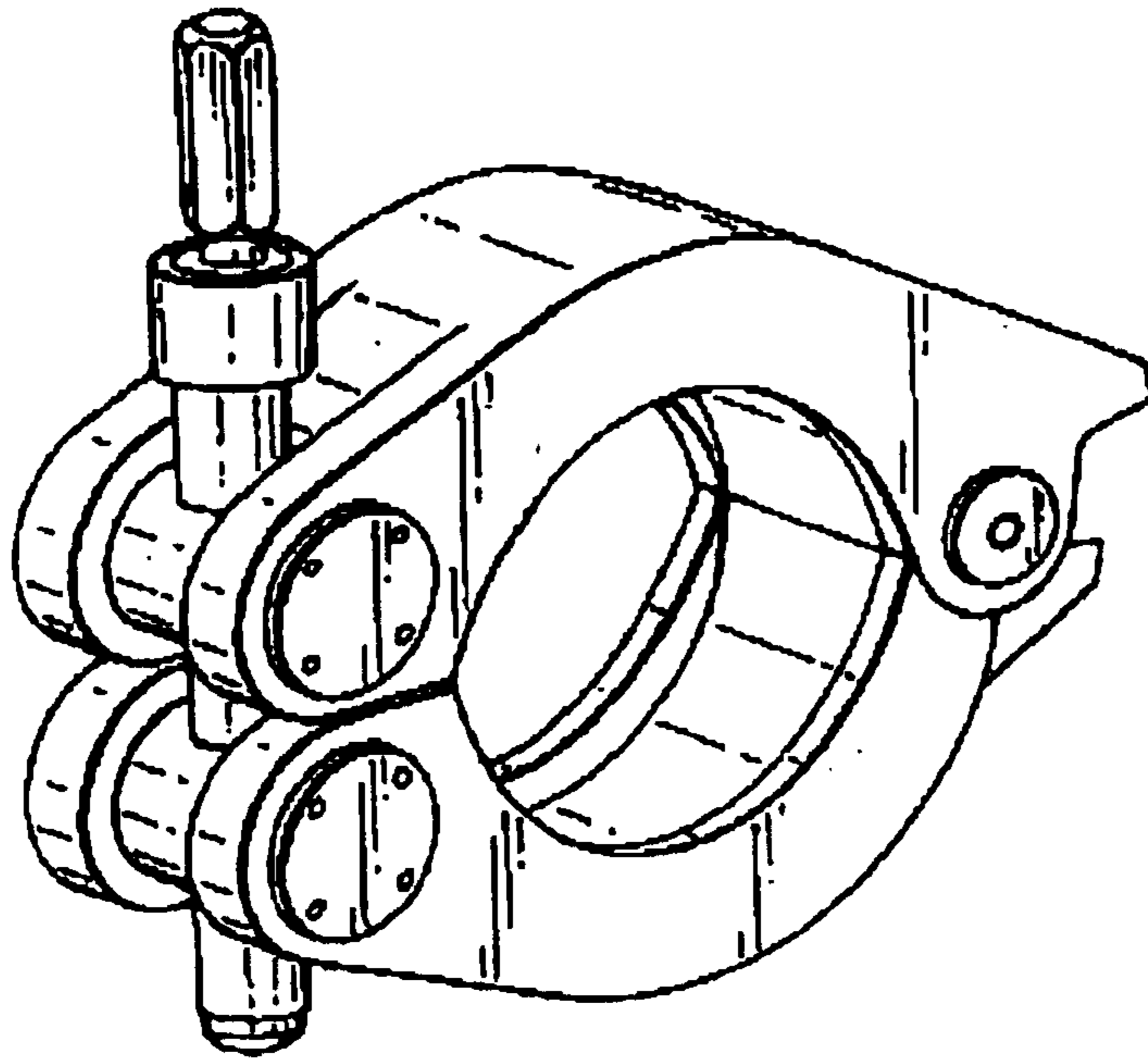


Fig. 1.

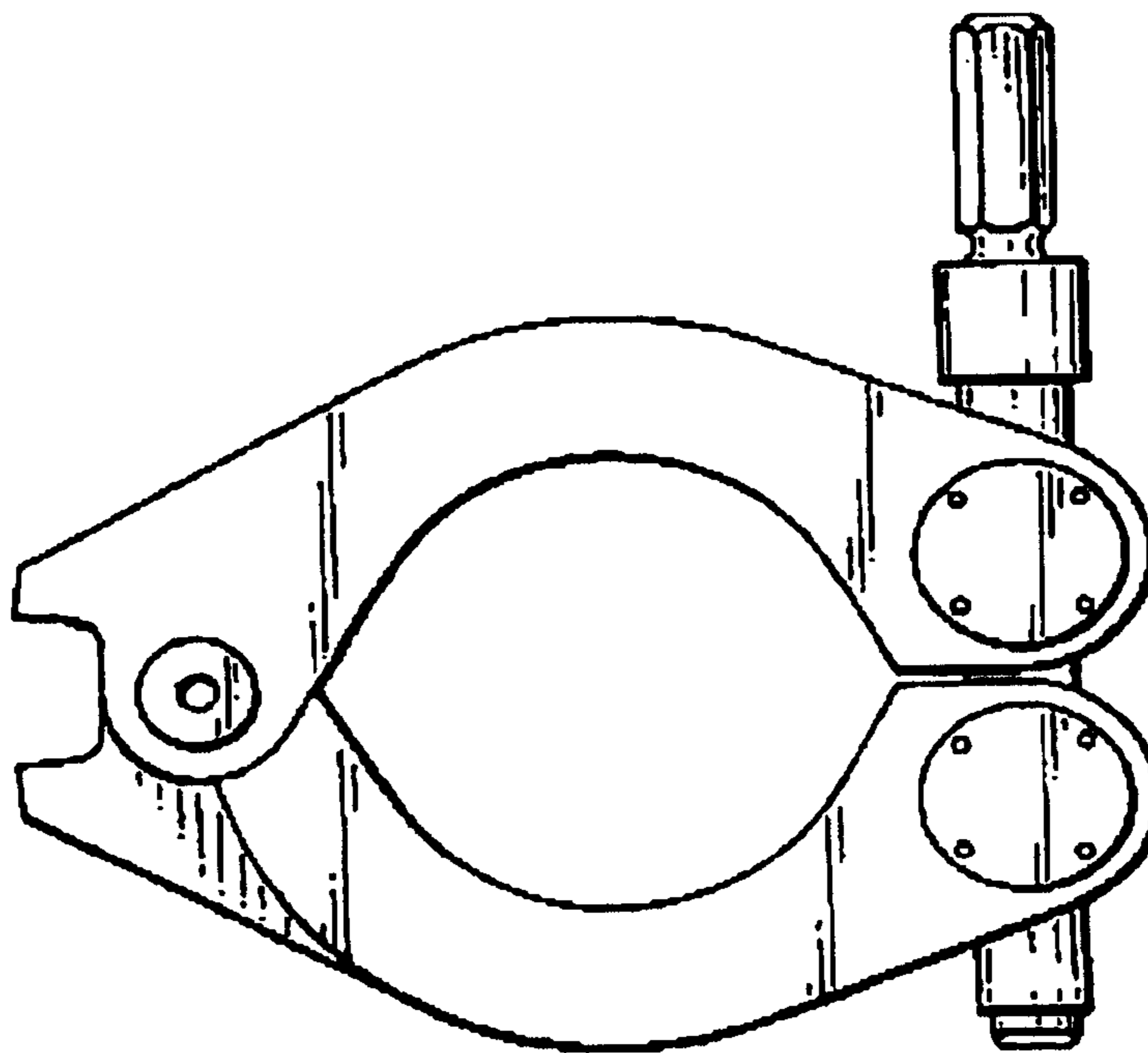


Fig. 2.

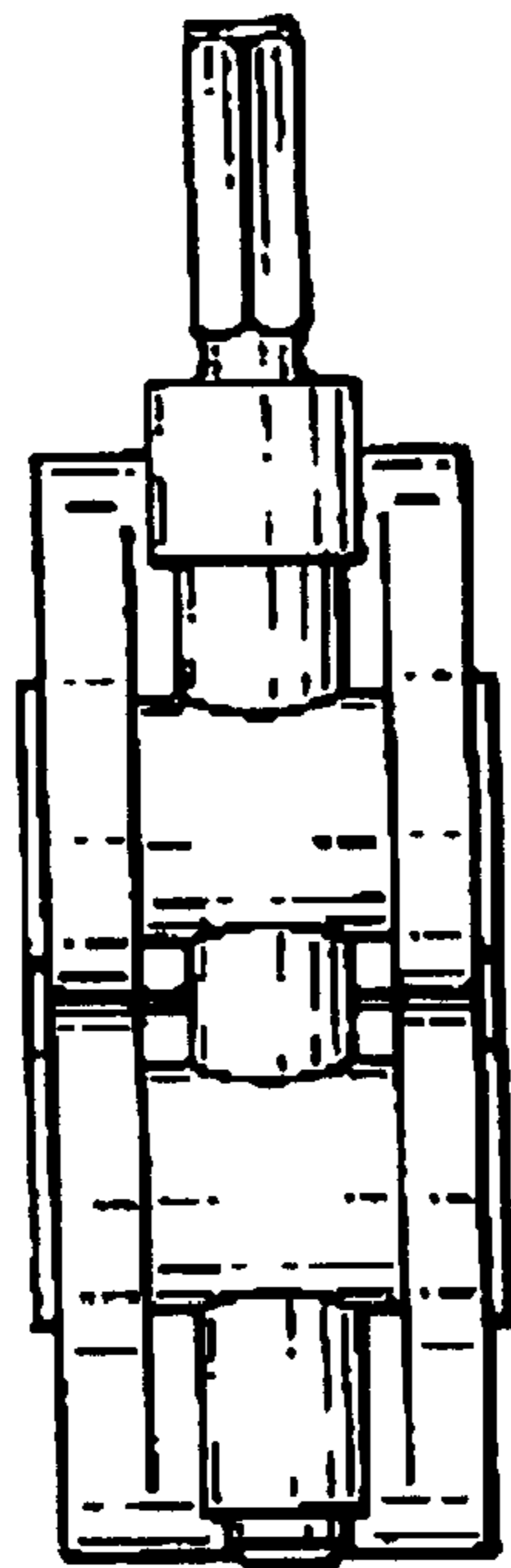


Fig.3.



Fig.4.

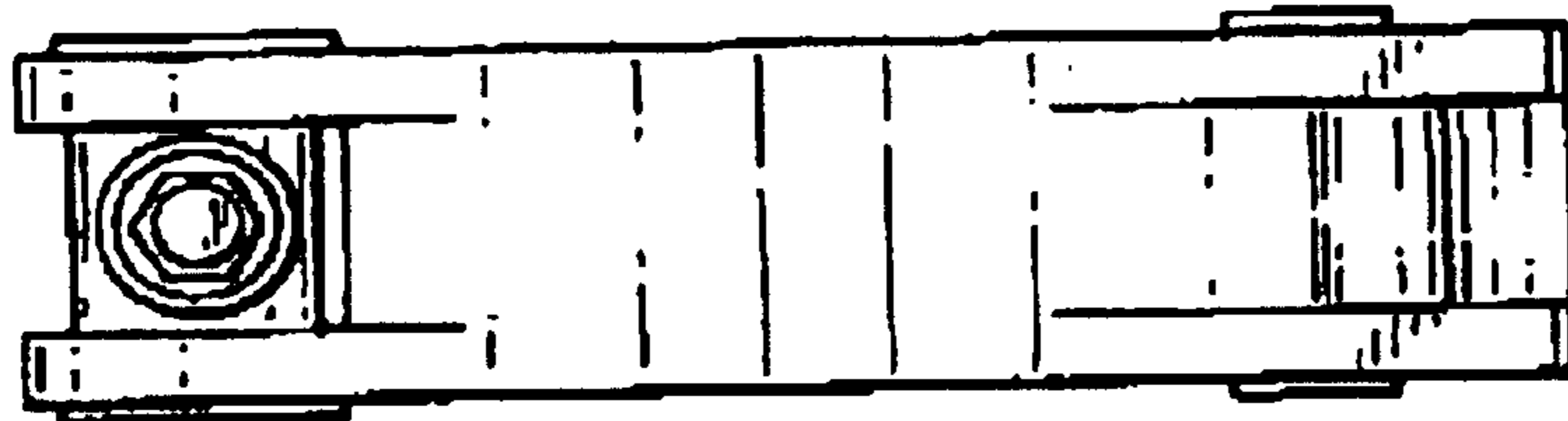


Fig.5.

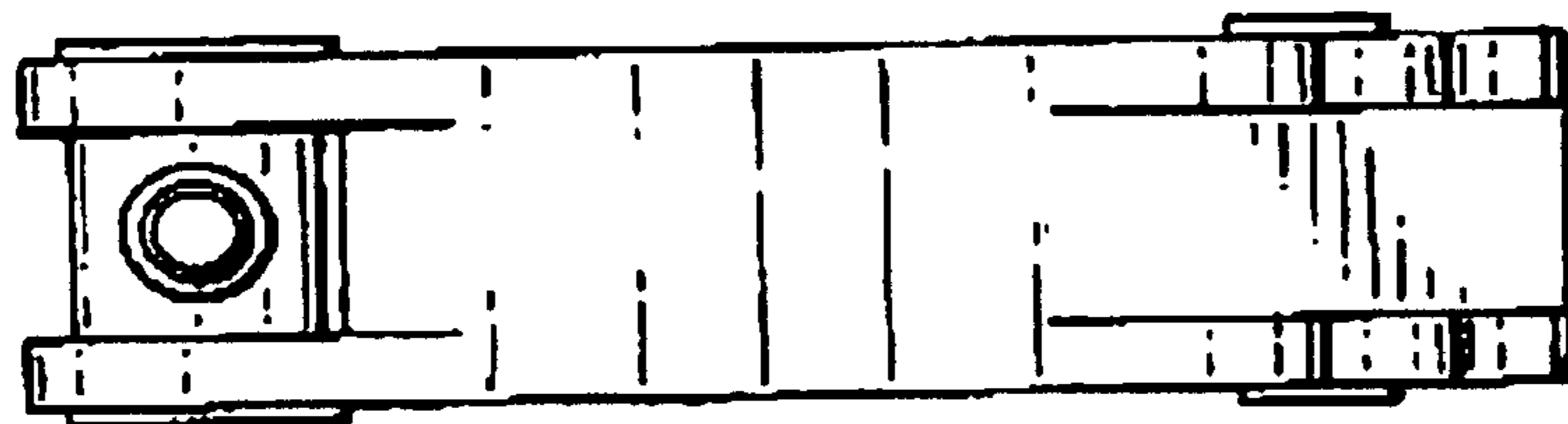


Fig.6.