

US00D536606S

(12) **United States Design Patent**
Cox et al.

(10) **Patent No.:** **US D536,606 S**

(45) **Date of Patent:** **** Feb. 13, 2007**

(54) **CLIP**

(75) Inventors: **Johnny Cox**, Rowlett, TX (US); **Trevor Jackson**, Kirkland, OH (US); **Harry Klaus**, Mars, PA (US)

(73) Assignee: **Emerald Innovations L.L.C.**, Butler, PA (US)

(**) Term: **14 Years**

(21) Appl. No.: **29/253,309**

(22) Filed: **Feb. 3, 2006**

(51) **LOC (8) Cl.** **08-08**

(52) **U.S. Cl.** **D8/395**

(58) **Field of Classification Search** D8/356,
D8/371, 394-396; 248/74.2, 215, 227.1,
248/49, 300, 301, 316.7, 51, 489; 24/22,
24/67 R, 20 S, 115 R, 546, 563, 910, 343,
24/67.9; D19/65

See application file for complete search history.

D376,973 S 12/1996 Brown
D377,844 S 2/1997 Gary et al.
D378,439 S 3/1997 Gary et al.
D383,666 S 9/1997 Adams
5,669,709 A 9/1997 Adams
5,707,136 A 1/1998 Byers
D396,184 S 7/1998 Adams et al.
D405,681 S 2/1999 McDowell et al.
D406,383 S 3/1999 Adams
5,893,628 A 4/1999 Byers
D414,291 S 9/1999 Gary et al.
5,957,568 A 9/1999 Byers
D416,788 S 11/1999 Jones et al.
D417,612 S 12/1999 Jones
D421,565 S 3/2000 Jones et al.
D422,203 S 4/2000 Gary et al.
D424,418 S 5/2000 Gary et al.
D424,419 S 5/2000 Avinger
6,056,415 A * 5/2000 Allred et al. 362/202
D427,510 S 7/2000 Gary et al.
6,131,865 A 10/2000 Adams
D435,684 S 12/2000 Gary et al.
D450,873 S * 11/2001 Opolka D26/49
D451,007 S 11/2001 Jones et al.

(Continued)

(56) **References Cited**

U.S. PATENT DOCUMENTS

D272,412 S * 1/1984 Shanklin D8/343
D274,419 S * 6/1984 Burwell D12/51
D300,089 S * 3/1989 Edwards D6/323
5,026,016 A * 6/1991 Lisowski 248/314
5,141,192 A 8/1992 Adams
D331,360 S 12/1992 Adams
5,249,108 A 9/1993 Gary
D342,889 S 1/1994 Adams
D356,246 S 3/1995 Adams
D356,492 S 3/1995 Adams
D360,355 S 7/1995 Adams
D360,572 S 7/1995 Adams
D360,573 S 7/1995 Adams
D365,015 S 12/1995 Avinger
D367,223 S 2/1996 Adams
D368,016 S 3/1996 McDowell et al.
D368,017 S 3/1996 McDowell et al.
D368,018 S 3/1996 McDowell et al.
5,513,081 A 4/1996 Byers
D376,535 S 12/1996 Gary et al.

Primary Examiner—Louis S. Zarfaz
Assistant Examiner—John Windmuller
(74) *Attorney, Agent, or Firm*—Calfee, Halter & Griswold LLP

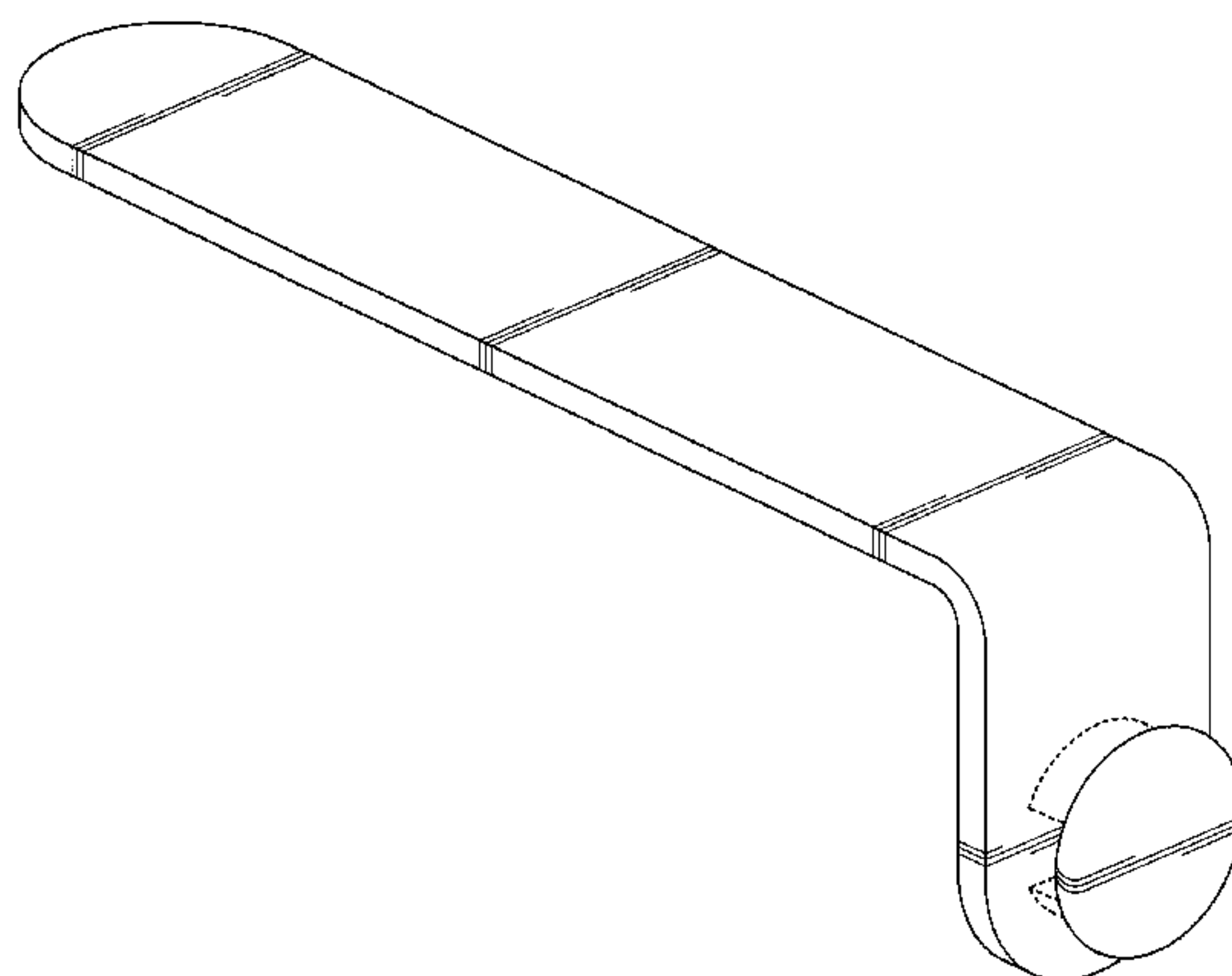
(57) **CLAIM**

The ornamental design for a clip, as shown and described.

DESCRIPTION

FIG. 1 is a perspective view of a clip of the new design; FIG. 2 is a front elevational view of the clip of FIG. 1; FIG. 3 is a rear elevational view of the clip of FIG. 1; FIG. 4 is a right side elevational view of the clip of FIG. 1; FIG. 5 is a left side elevational view of the clip of FIG. 1; FIG. 6 is a top plan view of the clip of FIG. 1; and, FIG. 7 is a bottom plan view of the clip of FIG. 1. The portions of the Figures shown in broken lines are not part of the claimed design and are for illustration only.

1 Claim, 3 Drawing Sheets



US D536,606 S

Page 2

U.S. PATENT DOCUMENTS

6,328,459	B1	12/2001	Adams	6,857,608	B2	2/2005	Avinger	
6,352,229	B1	3/2002	Adams	D509,726	S	* 9/2005	Diller	D8/395
D460,912	S	7/2002	Gary et al.	2003/0198054	A1	10/2003	Adams	
6,497,396	B1	12/2002	Adams	2004/0129846	A1	7/2004	Adams et al.	
6,513,772	B2	2/2003	Kalman et al.	2005/0017144	A1	1/2005	Jackson et al.	
6,644,836	B1	11/2003	Adams	2005/0072886	A1	4/2005	Adams	
D492,890	S	7/2004	Adams	2005/0082454	A1	4/2005	Adams	
D494,849	S	8/2004	Jones et al.	2005/0188507	A1	9/2005	Adams et al.	

* cited by examiner

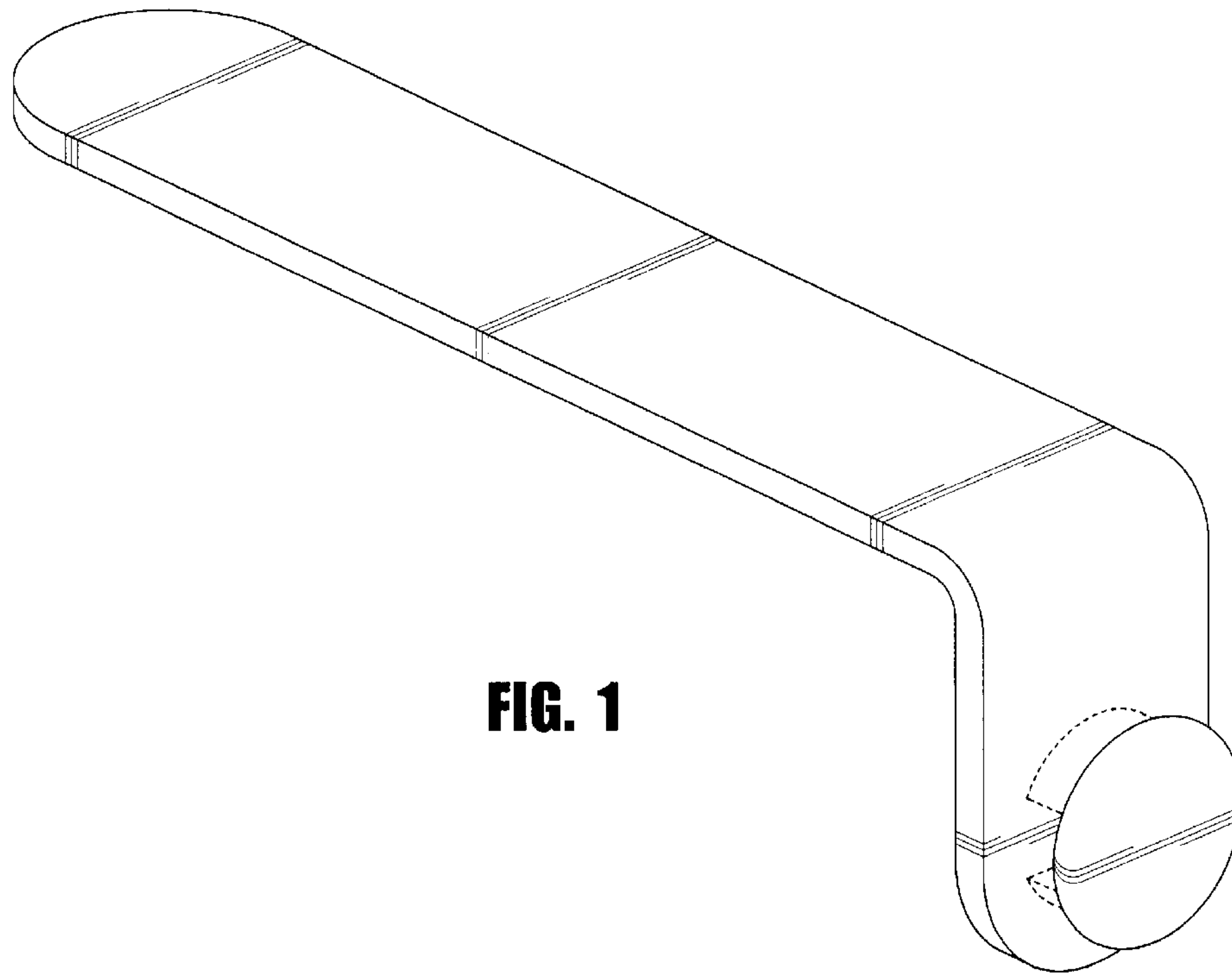


FIG. 1

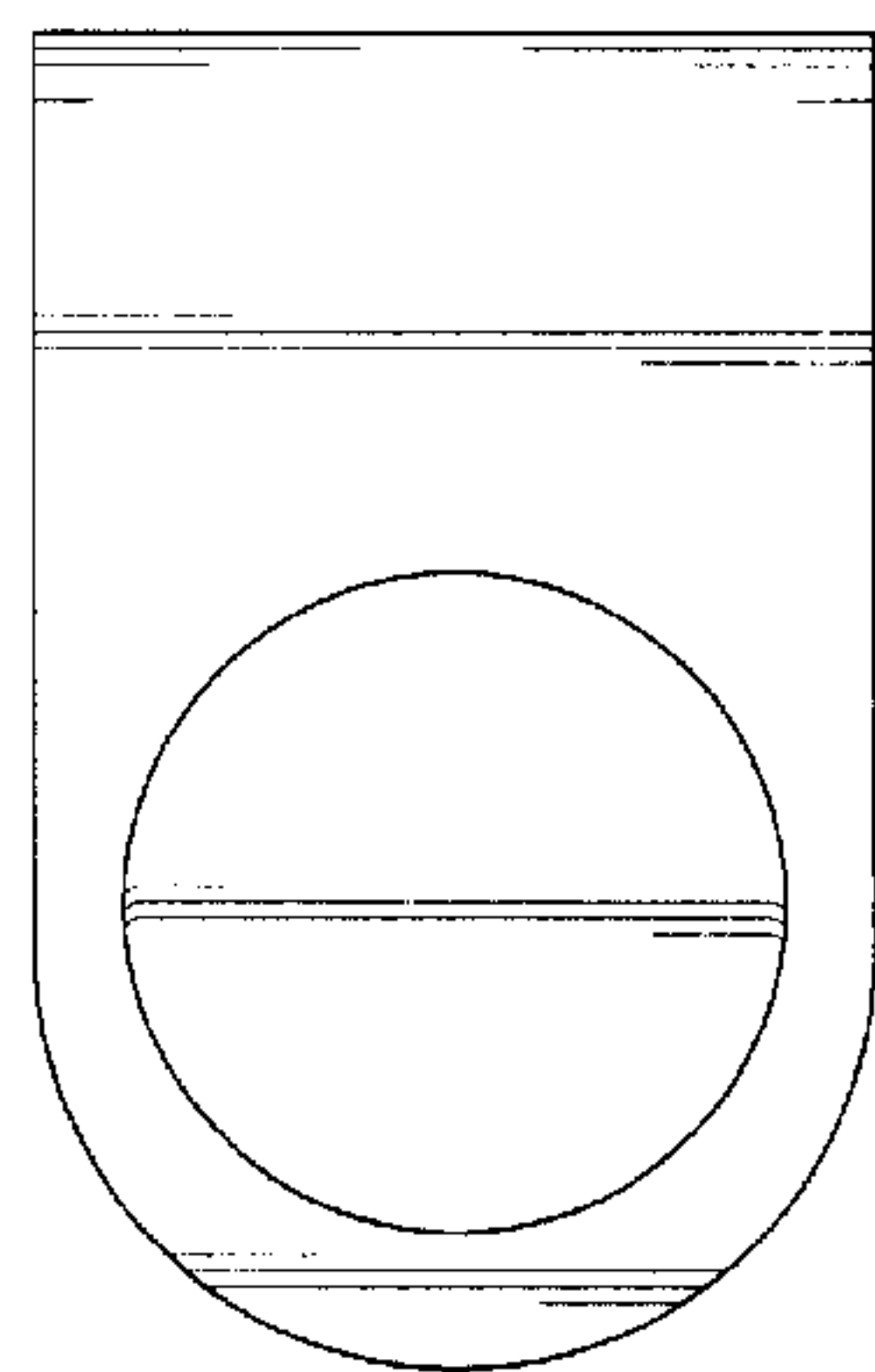


FIG. 2

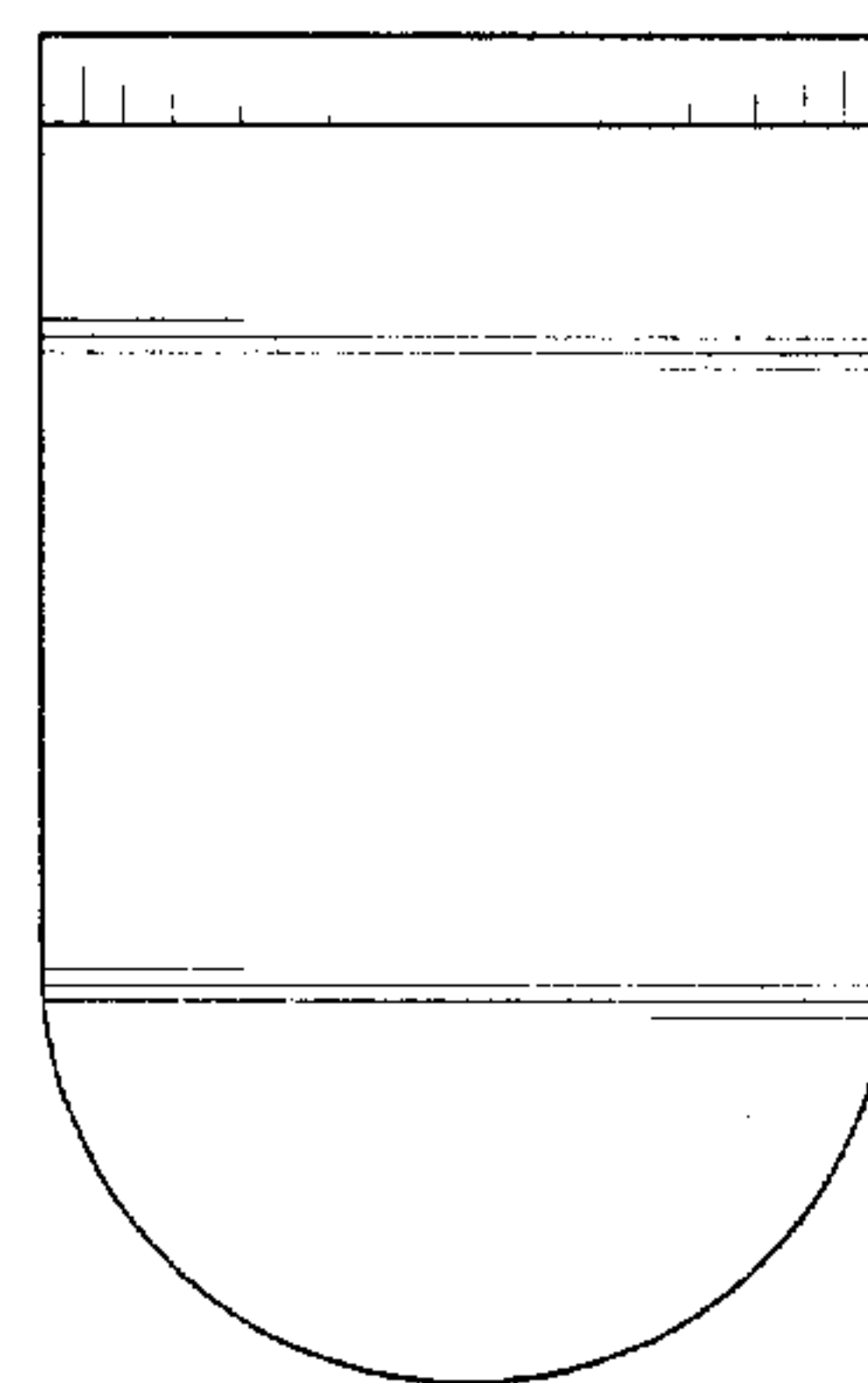


FIG. 3

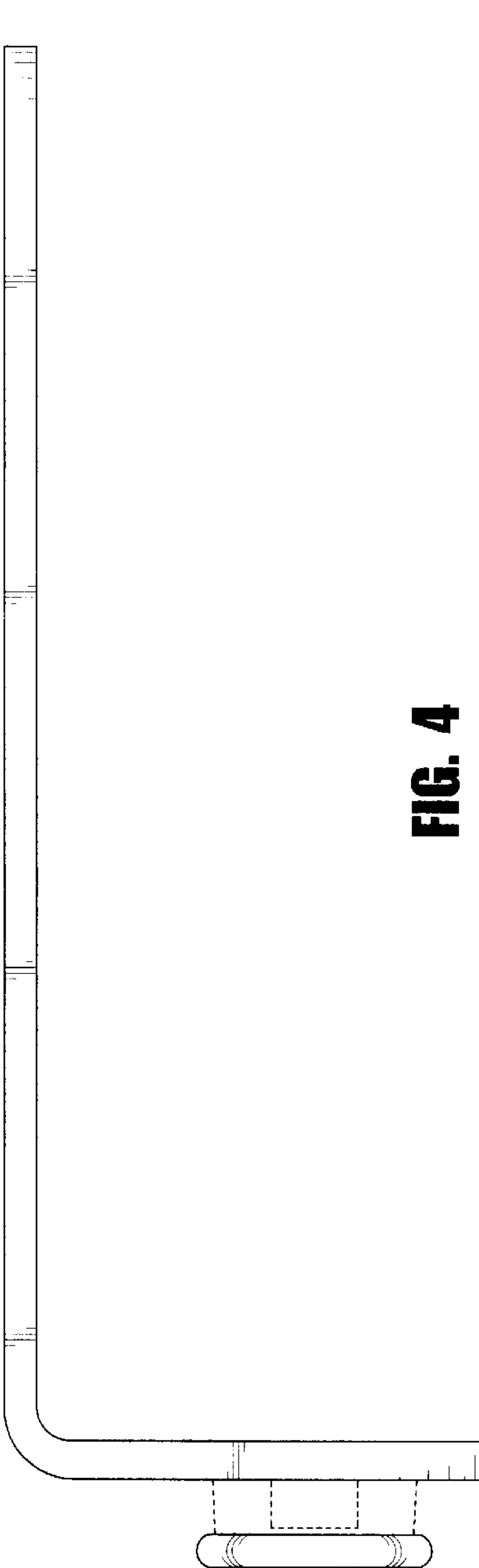


FIG. 4

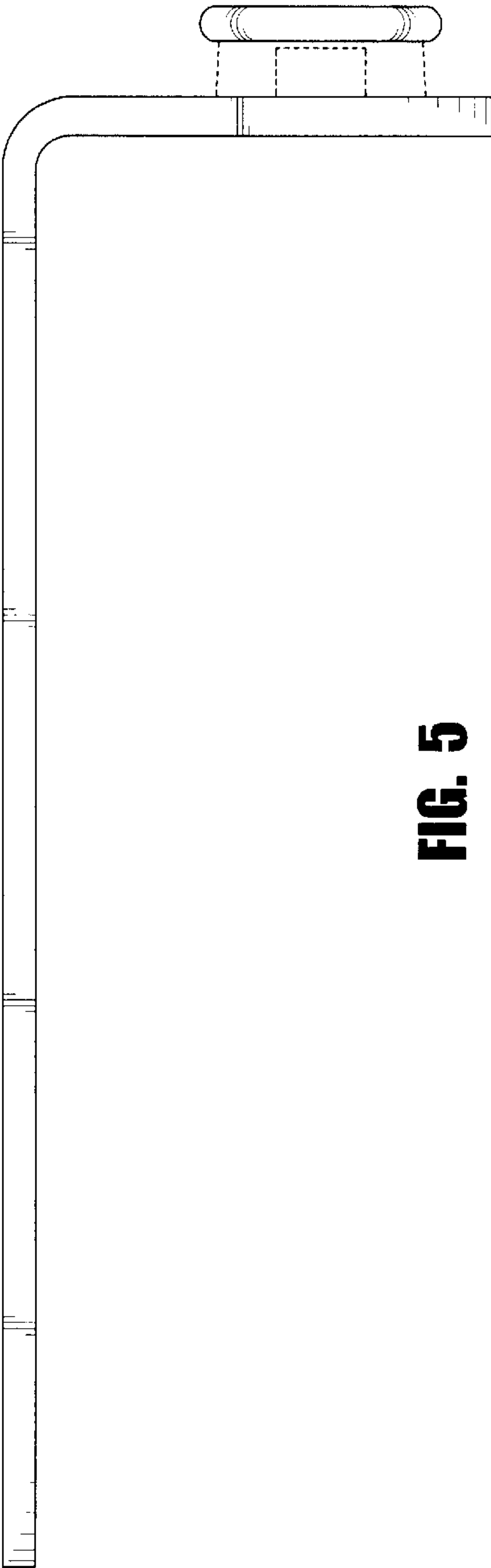


FIG. 5

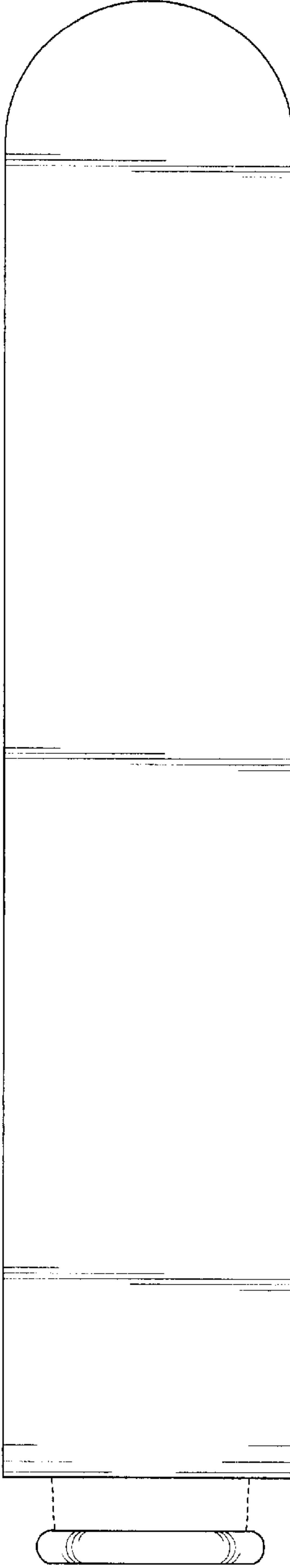


FIG. 6

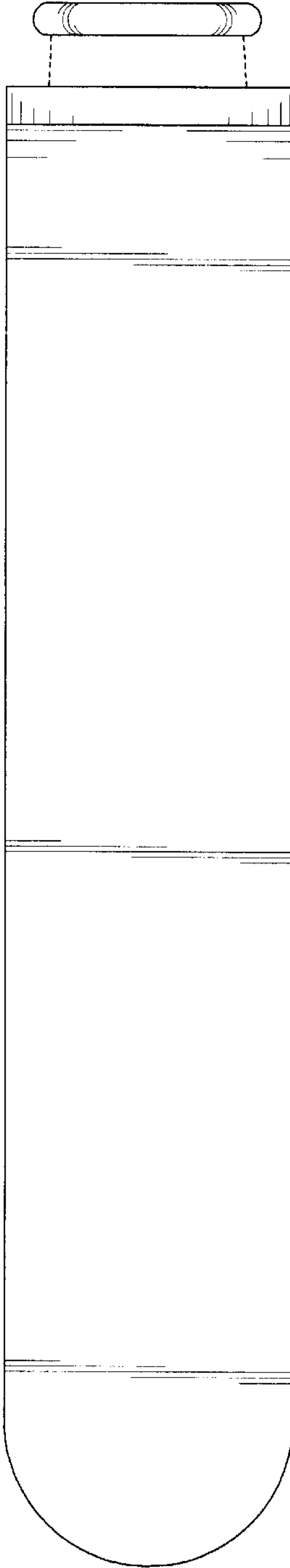


FIG. 7