



US00D536602S

(12) **United States Design Patent**  
**Childress**

(10) **Patent No.:** **US D536,602 S**

(45) **Date of Patent:** **\*\* Feb. 13, 2007**

(54) **HOSE-WINDING DEVICE**

(76) **Inventor:** **William N. Childress**, P.O. Box  
874532, Wasilla, AK (US) 99687

(\*\*) **Term:** **14 Years**

(21) **Appl. No.:** **29/228,543**

(22) **Filed:** **Apr. 25, 2005**

(51) **LOC (8) Cl.** ..... **08-05**

(52) **U.S. Cl.** ..... **D8/359**

(58) **Field of Classification Search** ..... D8/359,  
D8/358; 242/129.8, 395, 375, 397.5, 388.5,  
242/532.6

See application file for complete search history.

(56) **References Cited**

**U.S. PATENT DOCUMENTS**

1,881,952	A	*	10/1932	Rayfield	.....	242/375
2,197,767	A	*	4/1940	Neale	.....	242/397.5
2,960,279	A	*	11/1960	Little	.....	242/532.6
D256,330	S	*	8/1980	Becker	.....	D8/358
D297,302	S	*	8/1988	Nelson	.....	D8/359
D360,354	S	*	7/1995	Sutton et al.	.....	D8/359
D434,970	S	*	12/2000	Wang	.....	D8/359
6,241,175	B1	*	6/2001	Nichols	.....	242/395

\* cited by examiner

*Primary Examiner*—Holly H. Baynham

(74) *Attorney, Agent, or Firm*—Michael J. Tavella

(57) **CLAIM**

The ornamental design for a hose-winding device, as shown and described.

**DESCRIPTION**

FIG. 1 is a front elevation view of the design for my hose-winding device.

FIG. 2 is a left side elevation view of my design.

FIG. 3 is a right side elevation view of the design.

FIG. 4 is a bottom plan view of the design.

FIG. 5 is a top plan view of the design.

FIG. 6 is a rear elevation view of the design.

FIG. 7 is a front perspective view of the design.

FIG. 8 is a front elevation environmental view of the design, showing the design placed on a portable stand.

FIG. 9 is a left side elevation environmental view of my design, showing the design placed on a portable stand.

FIG. 10 is a right side environmental elevation view of the design, showing the design placed on a portable stand.

FIG. 11 is a bottom plan environmental view of the design, showing the design placed on a portable stand.

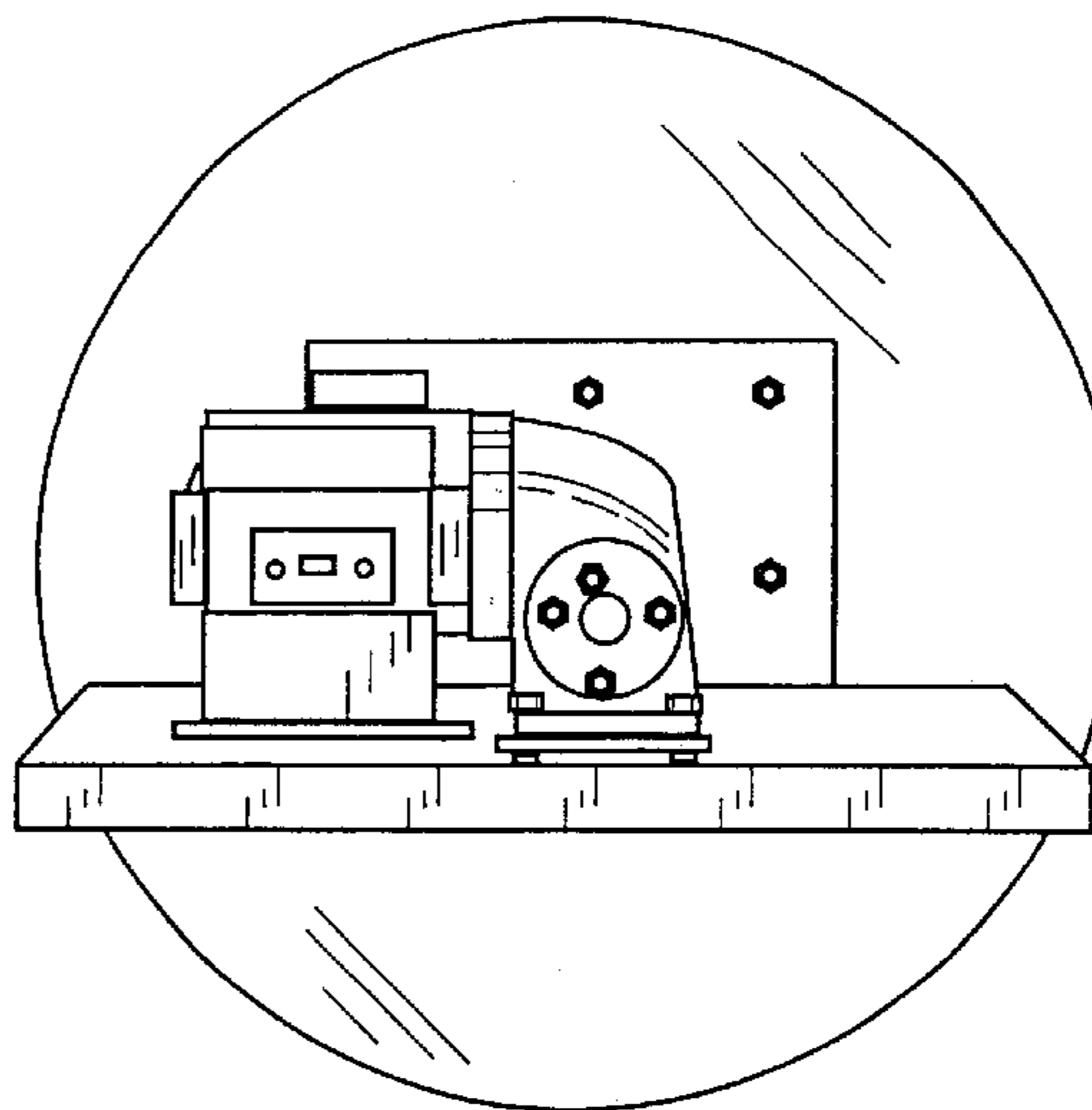
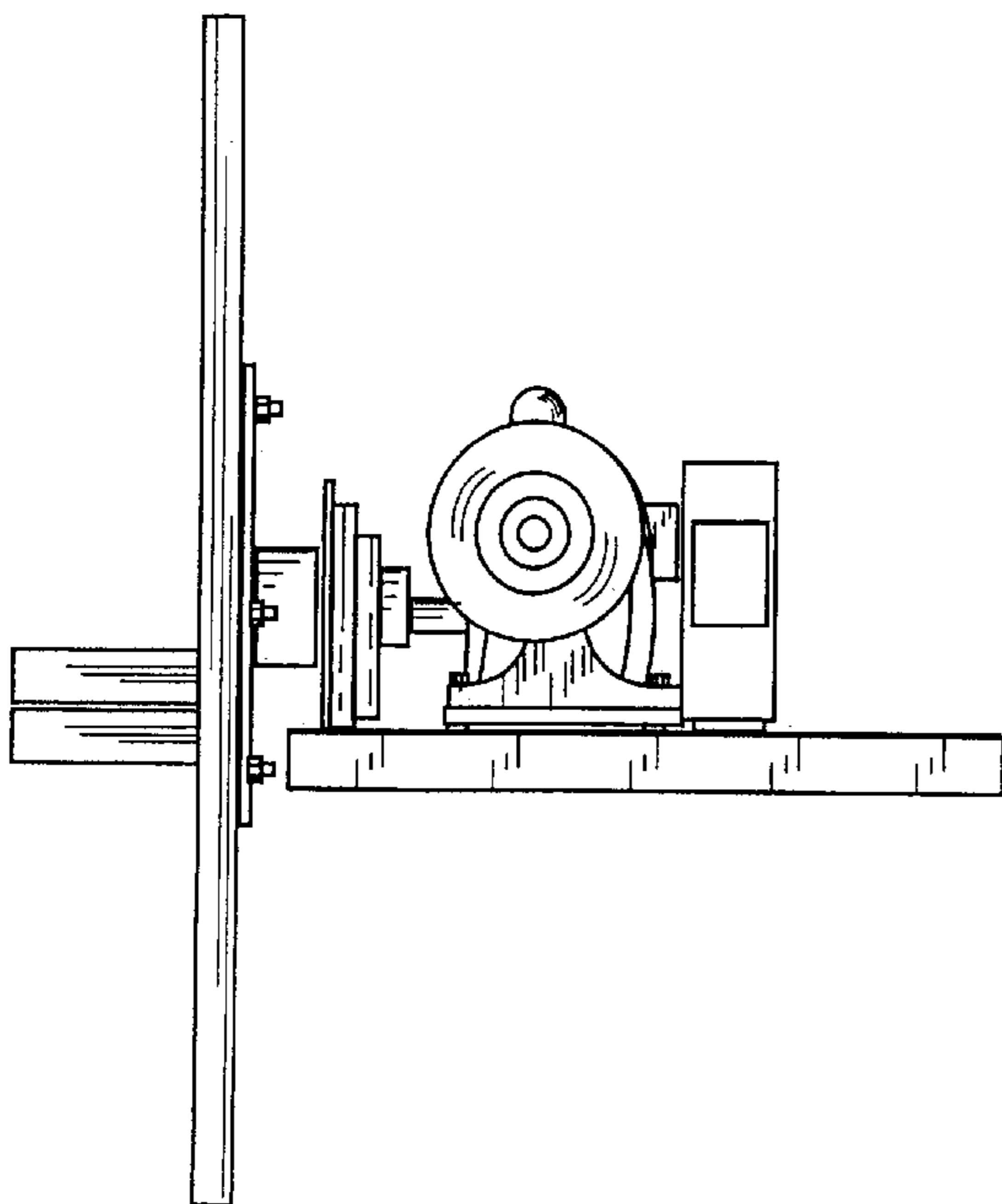
FIG. 12 is a top plan environmental view of the design, showing the design placed on a portable stand.

FIG. 13 is a rear elevation environmental view of the design, showing the design placed on a portable stand; and,

FIG. 14 is a front perspective environmental view of the design, showing the design placed on a portable stand.

The dashed lines showing the portable stand in FIGS. 8–14 are for illustrative purposes only and form no part of the claimed design.

**1 Claim, 14 Drawing Sheets**



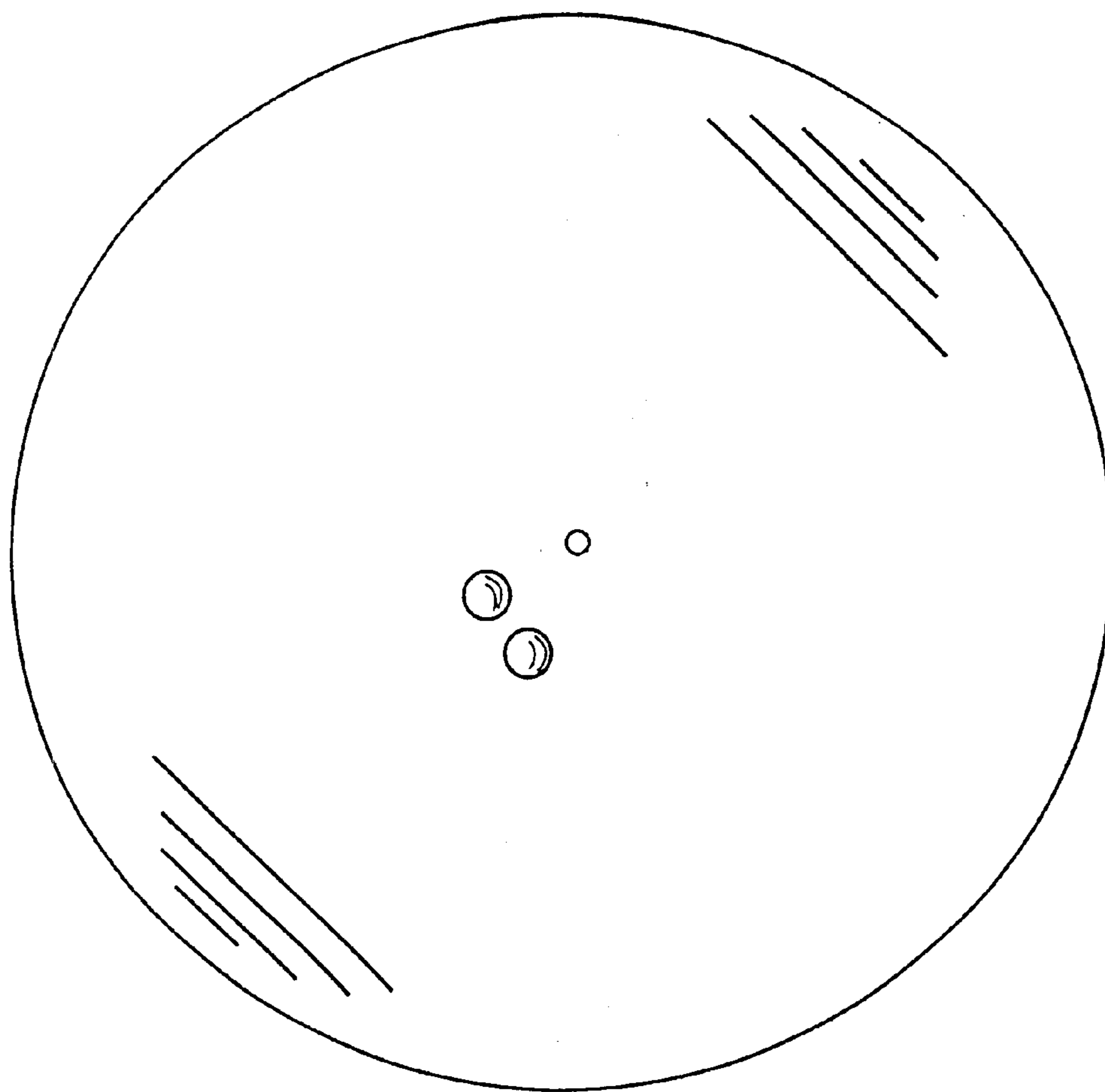


Figure 1

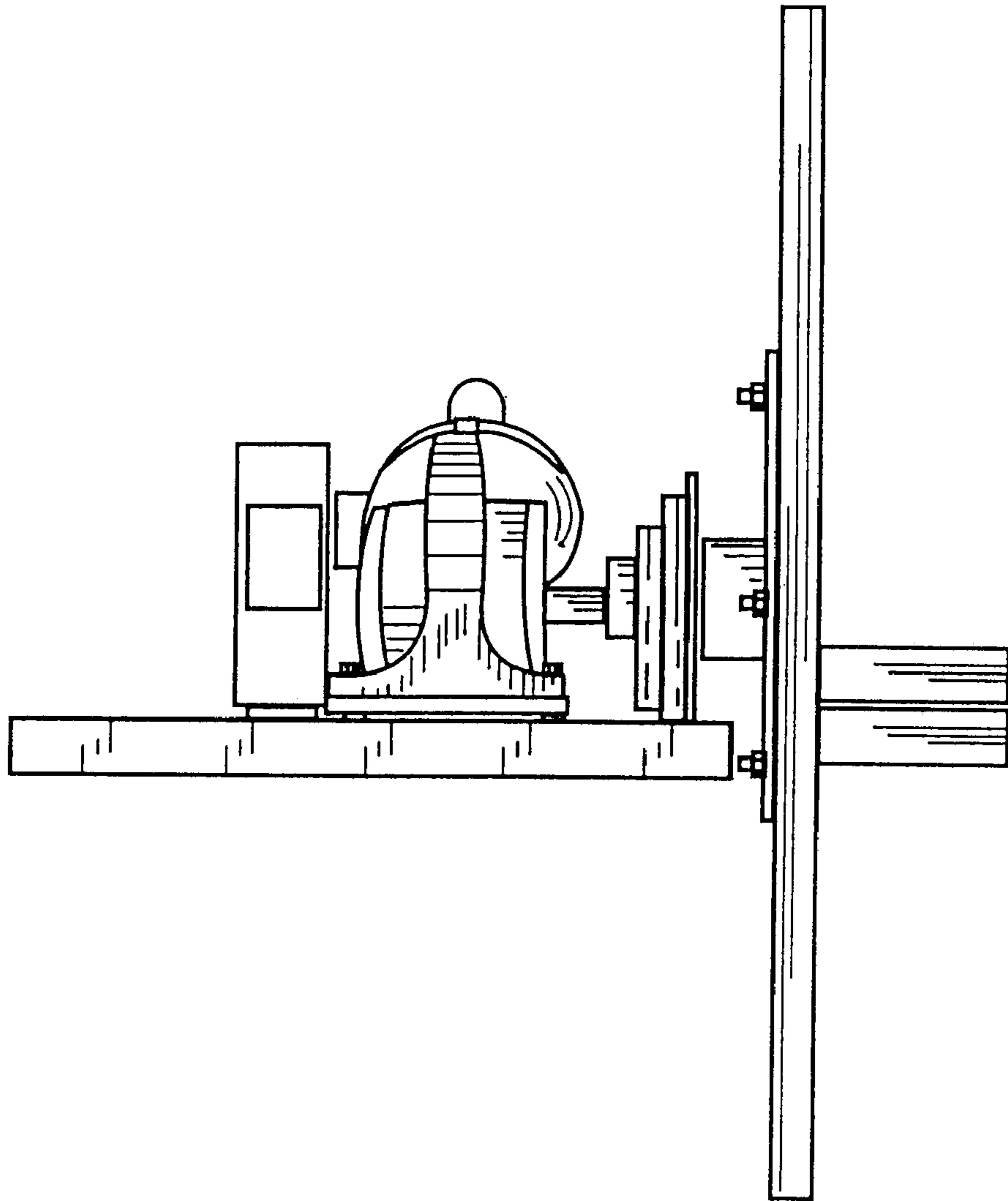


Figure 2

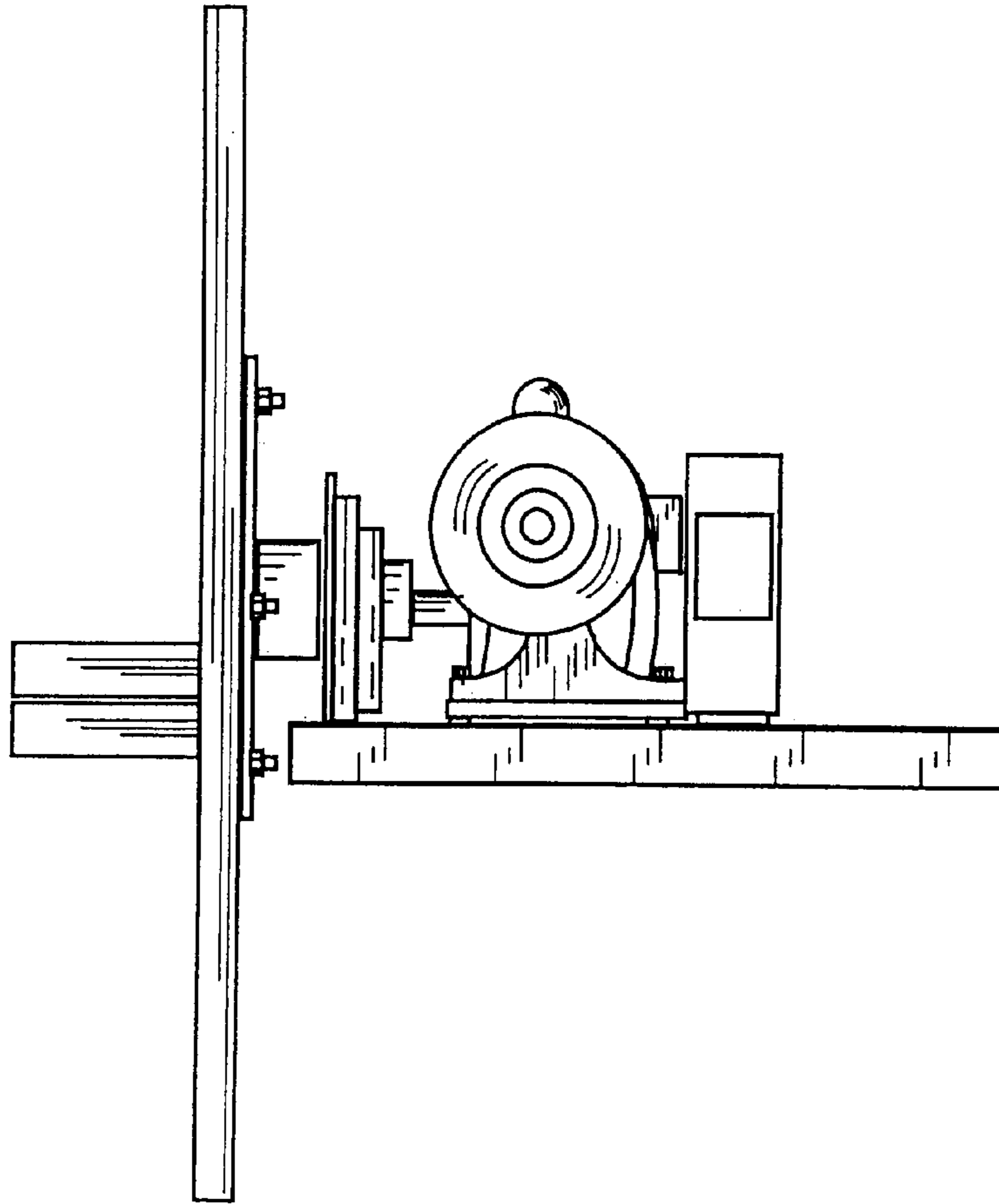


Figure 3

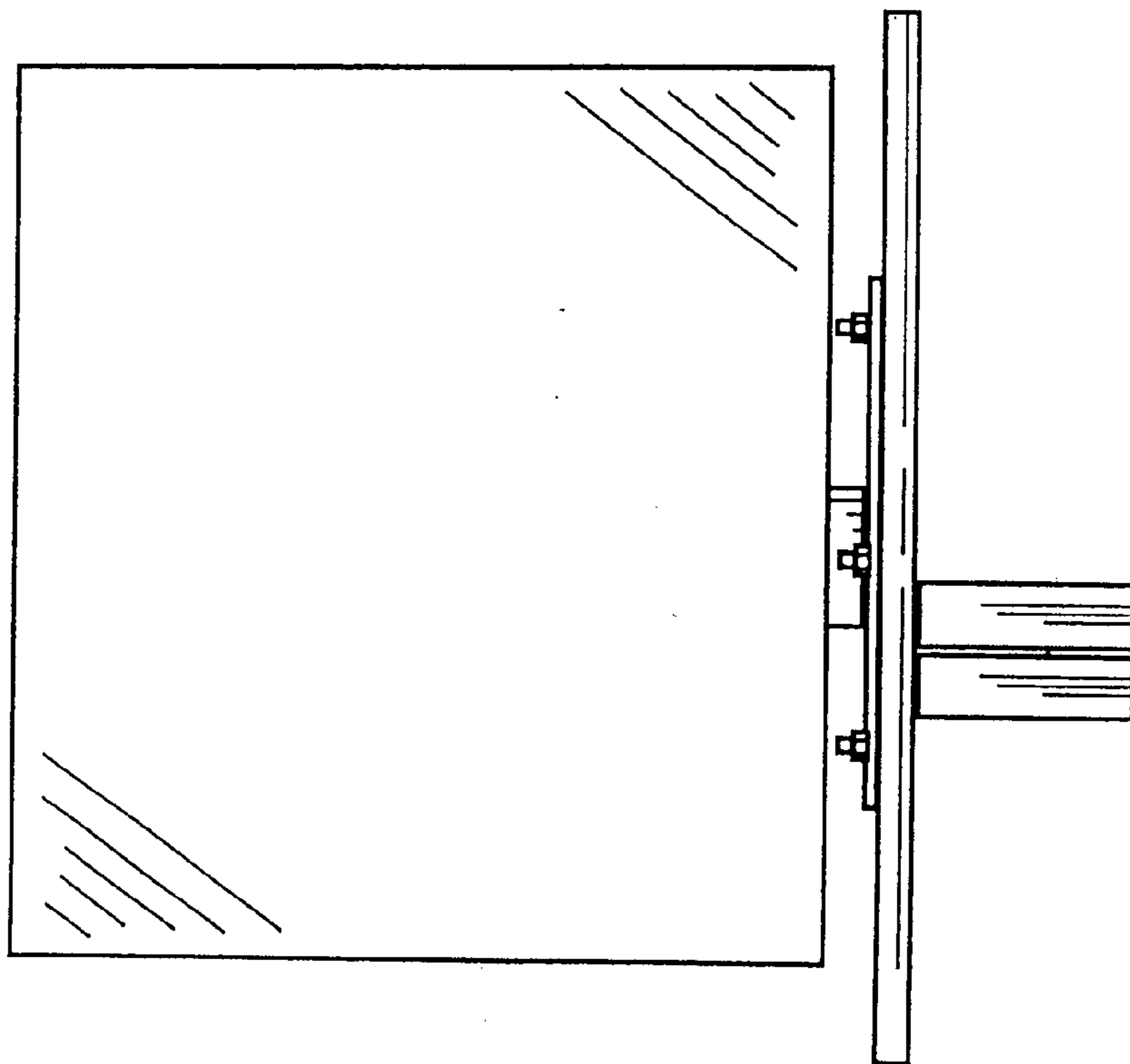


Figure 4

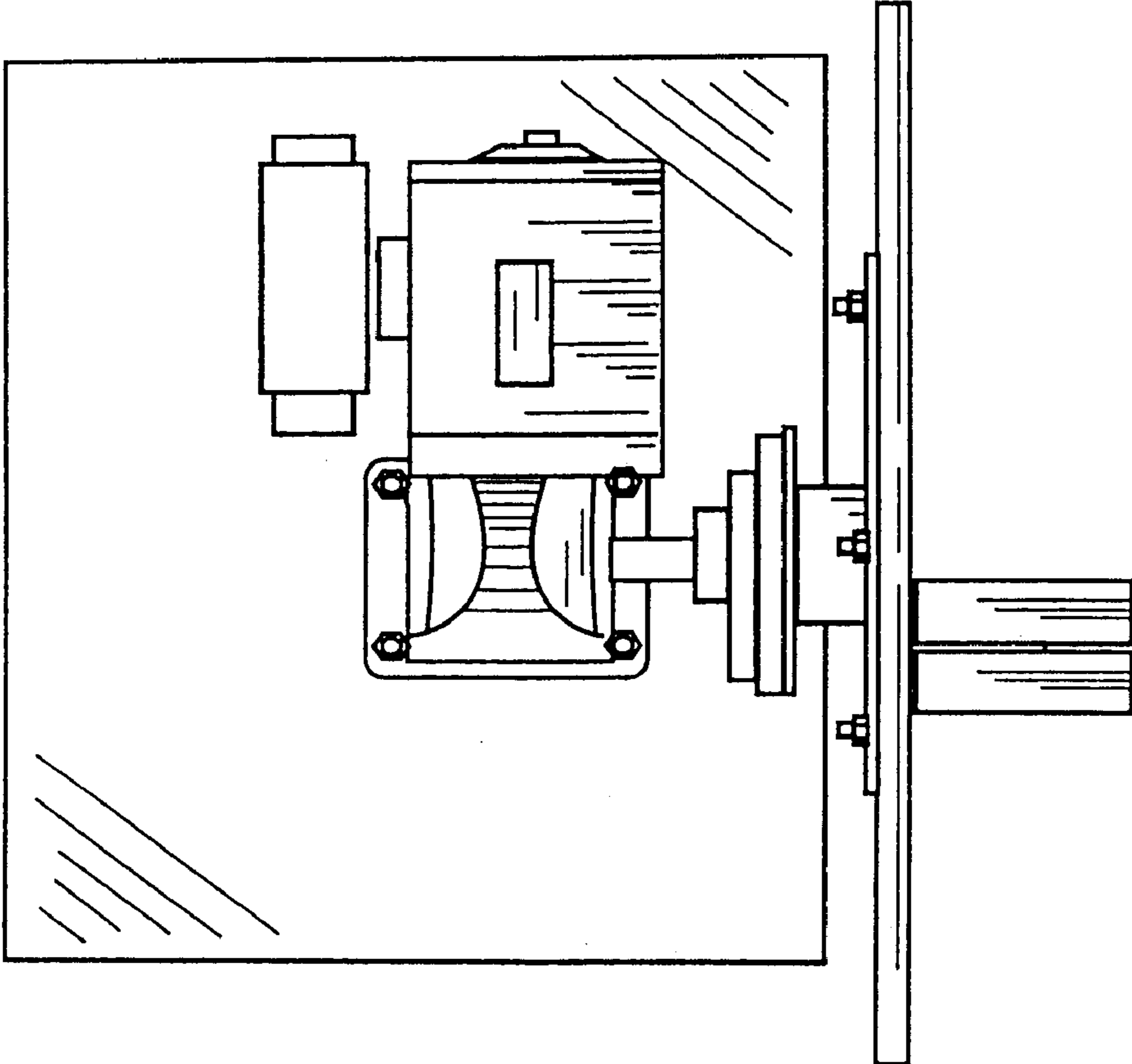


Figure 5

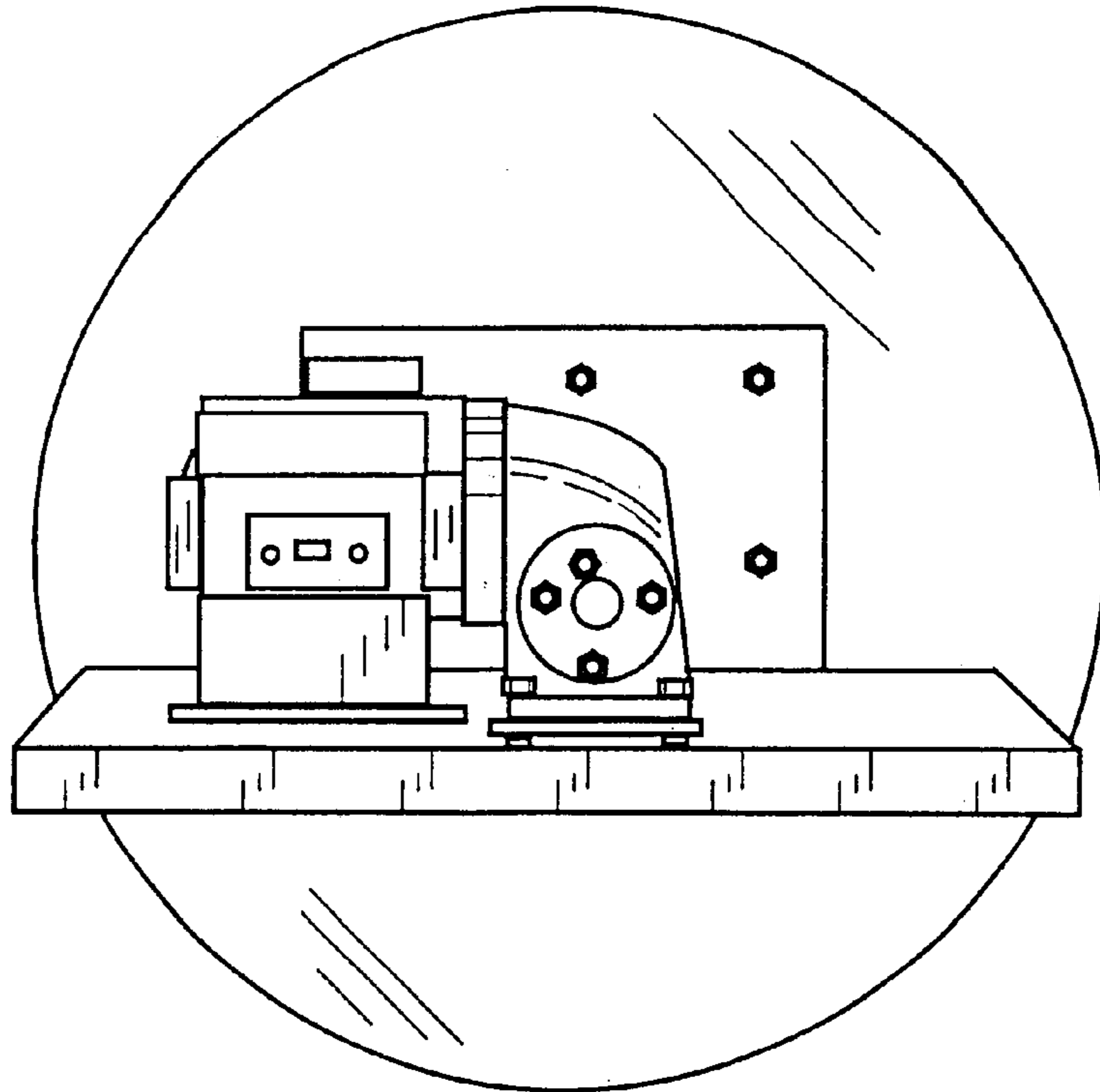


Figure 6

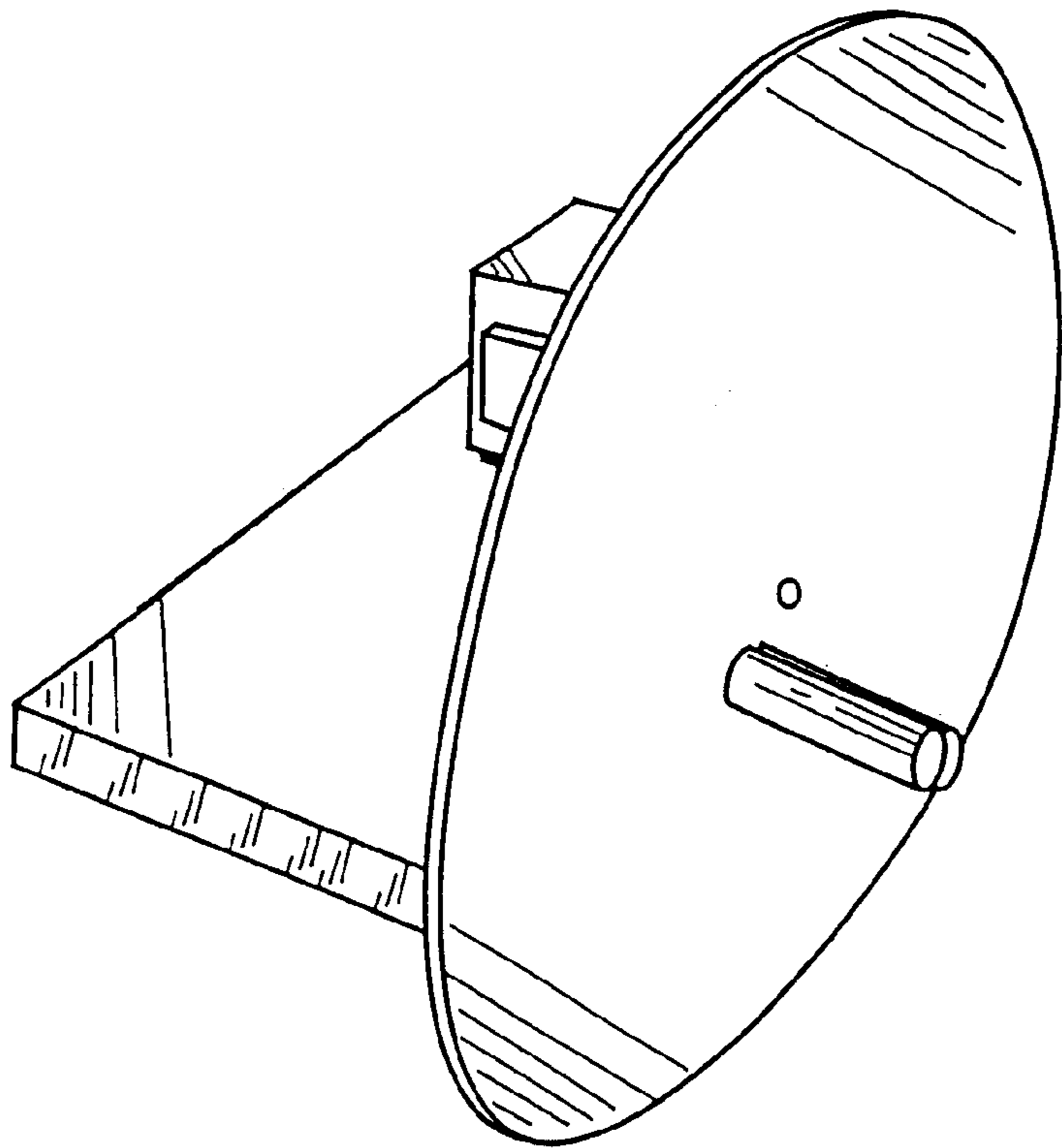


Figure 7



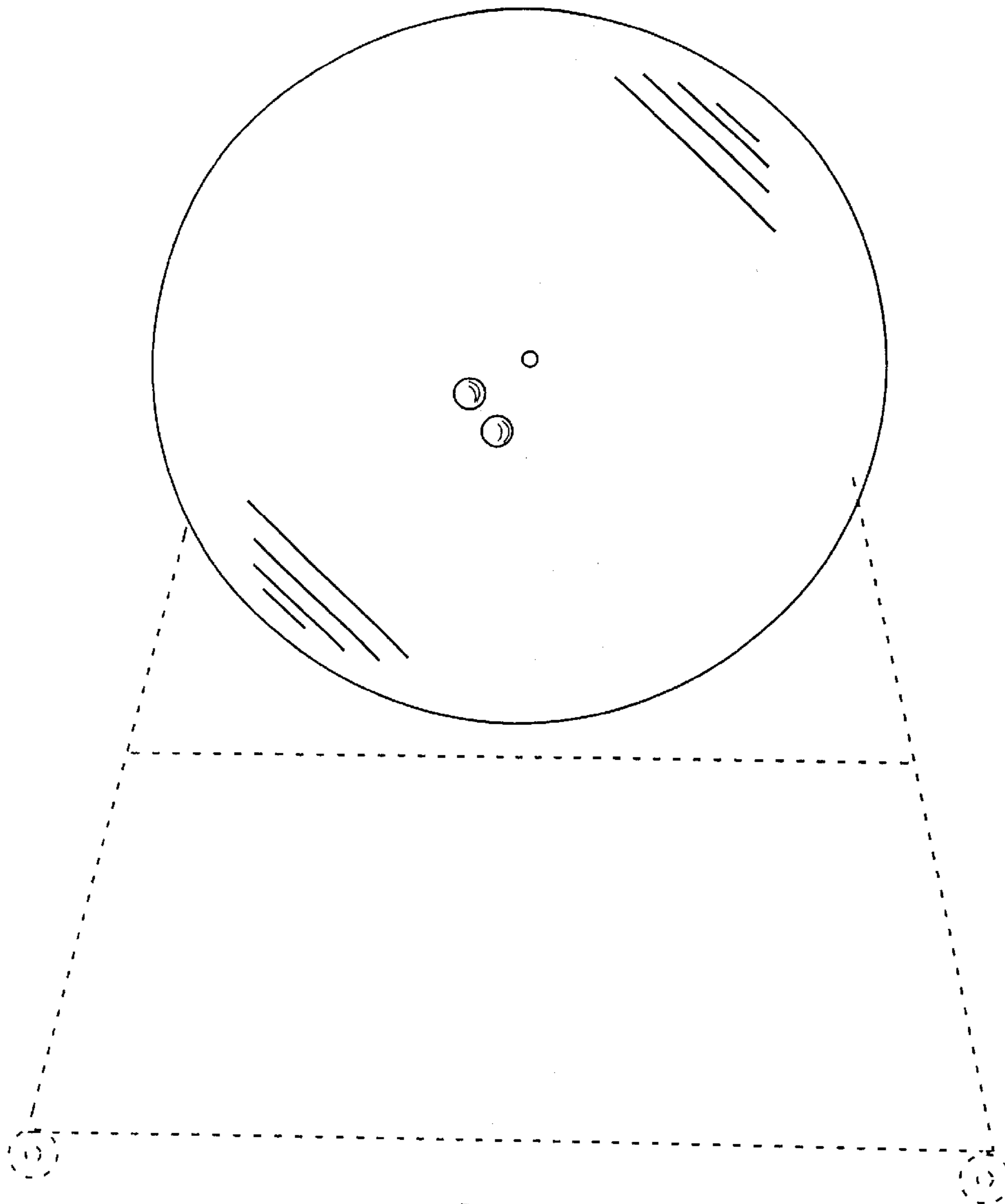


Figure 8

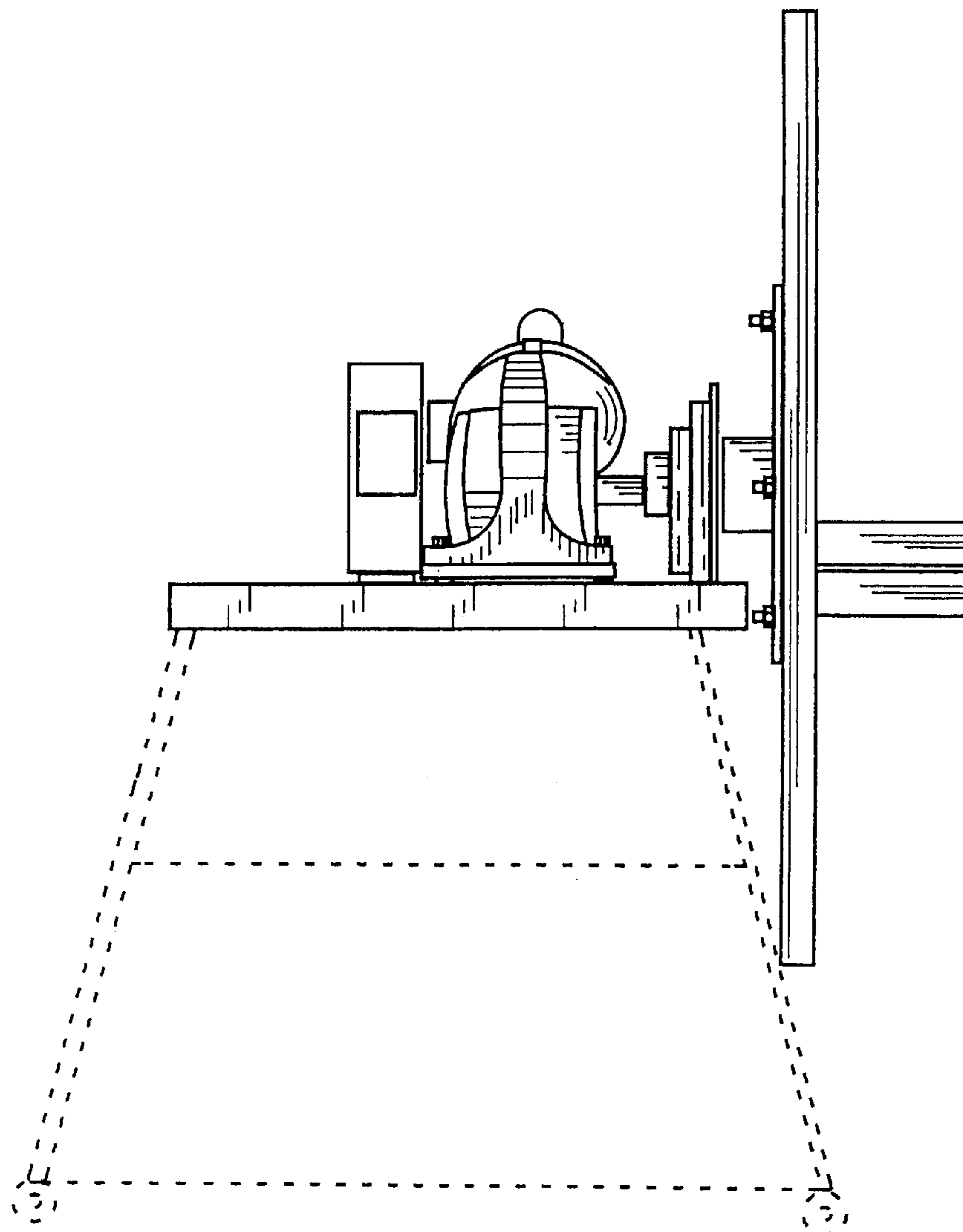


Figure 9

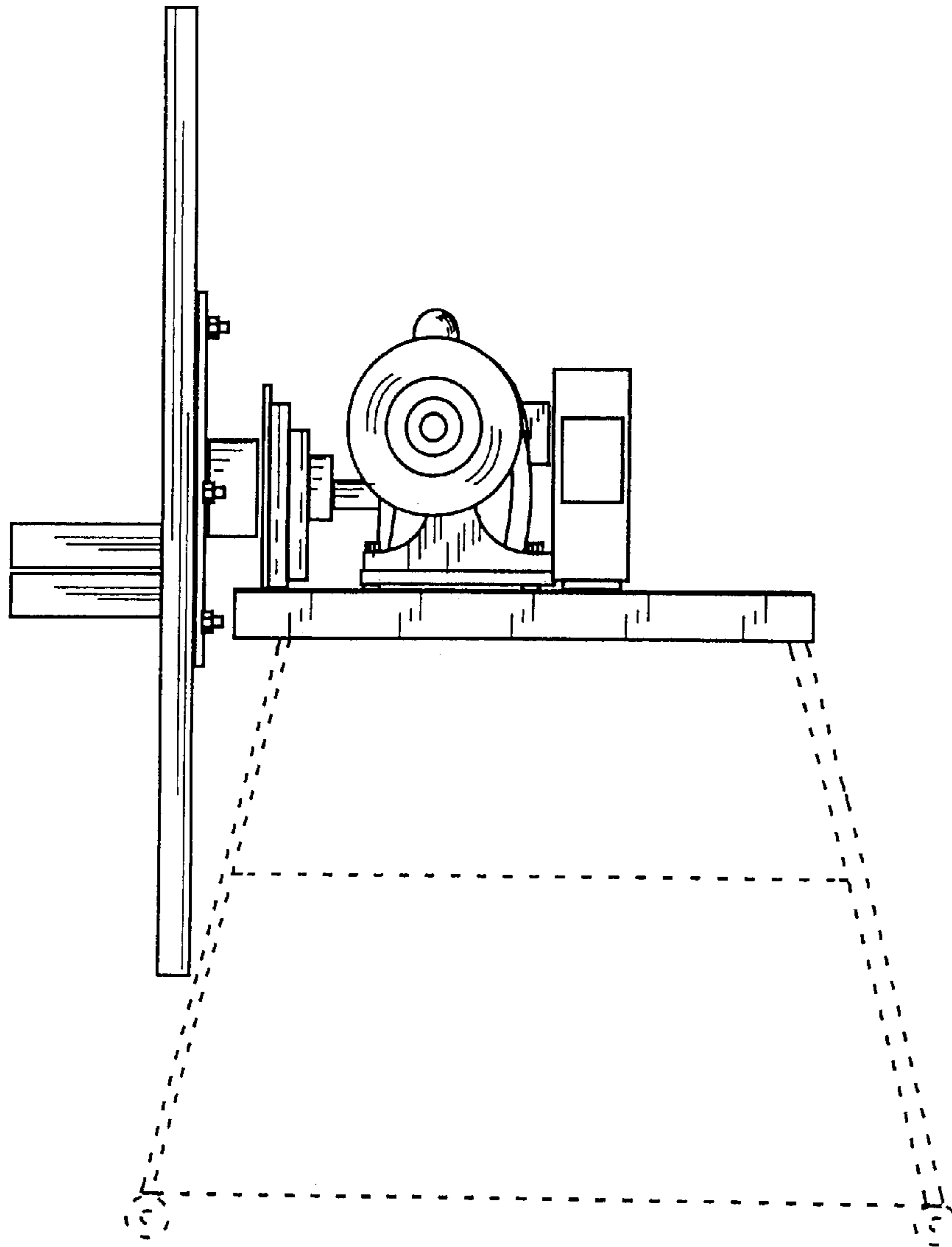


Figure 10

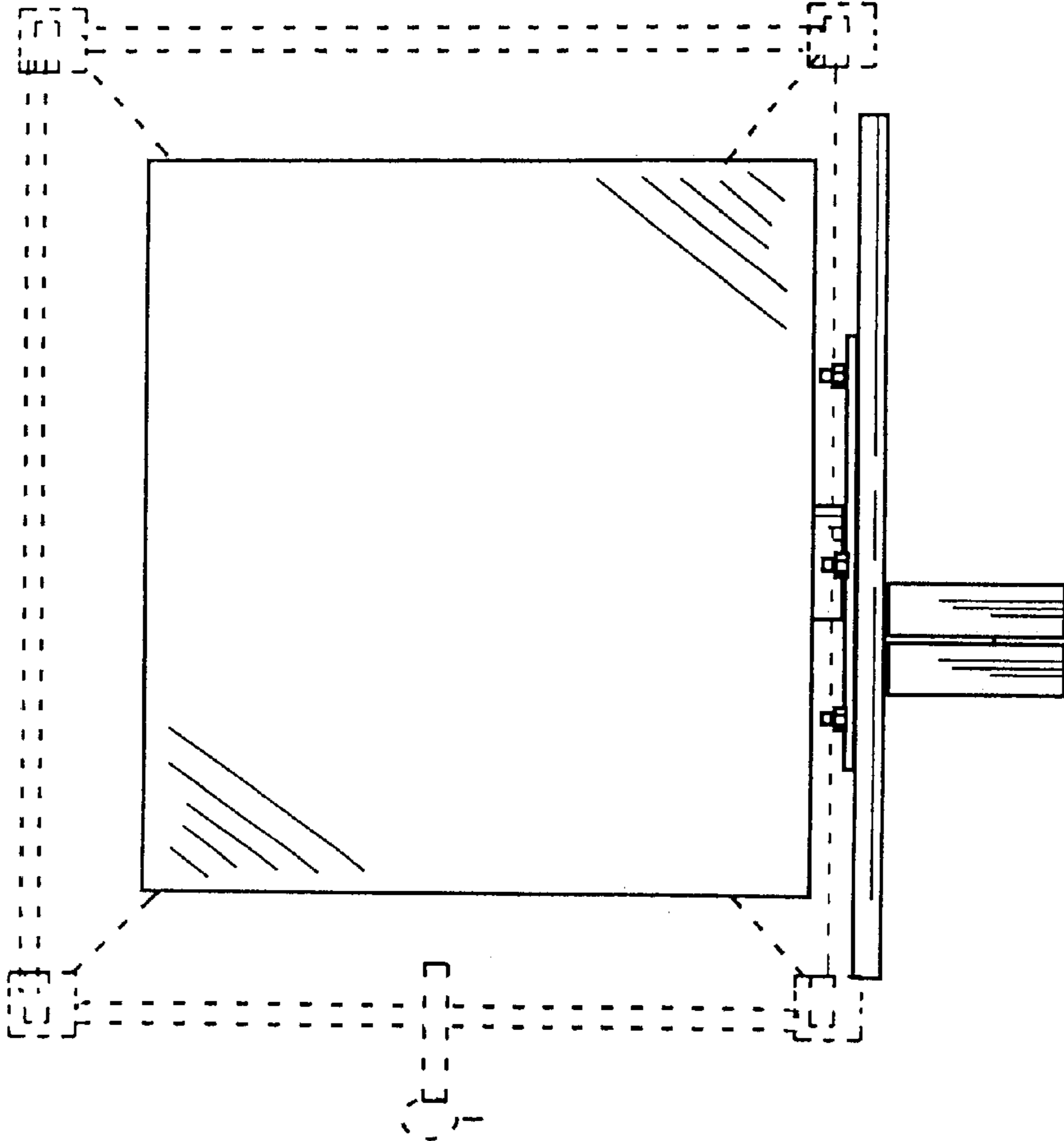


Figure 11

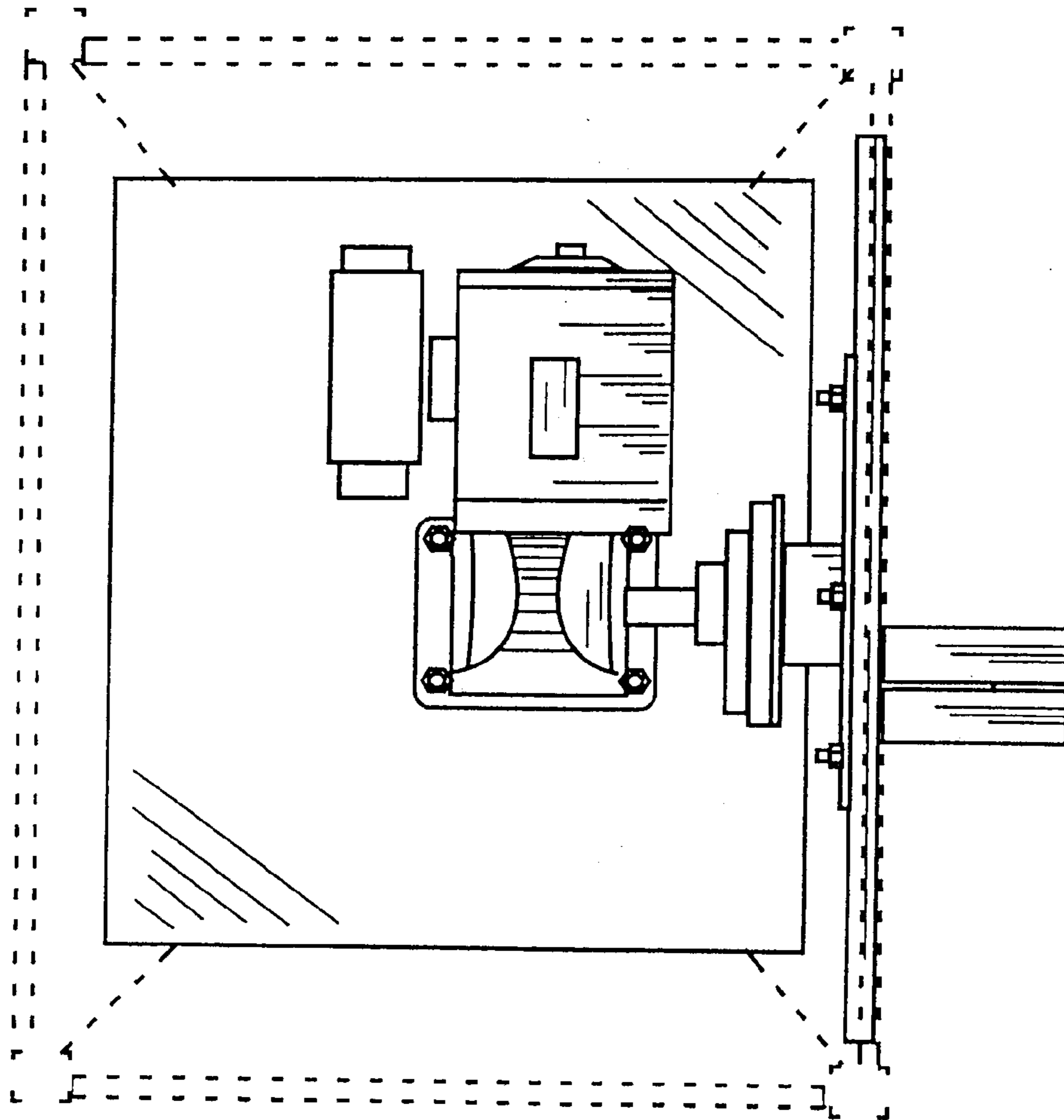


Figure 12

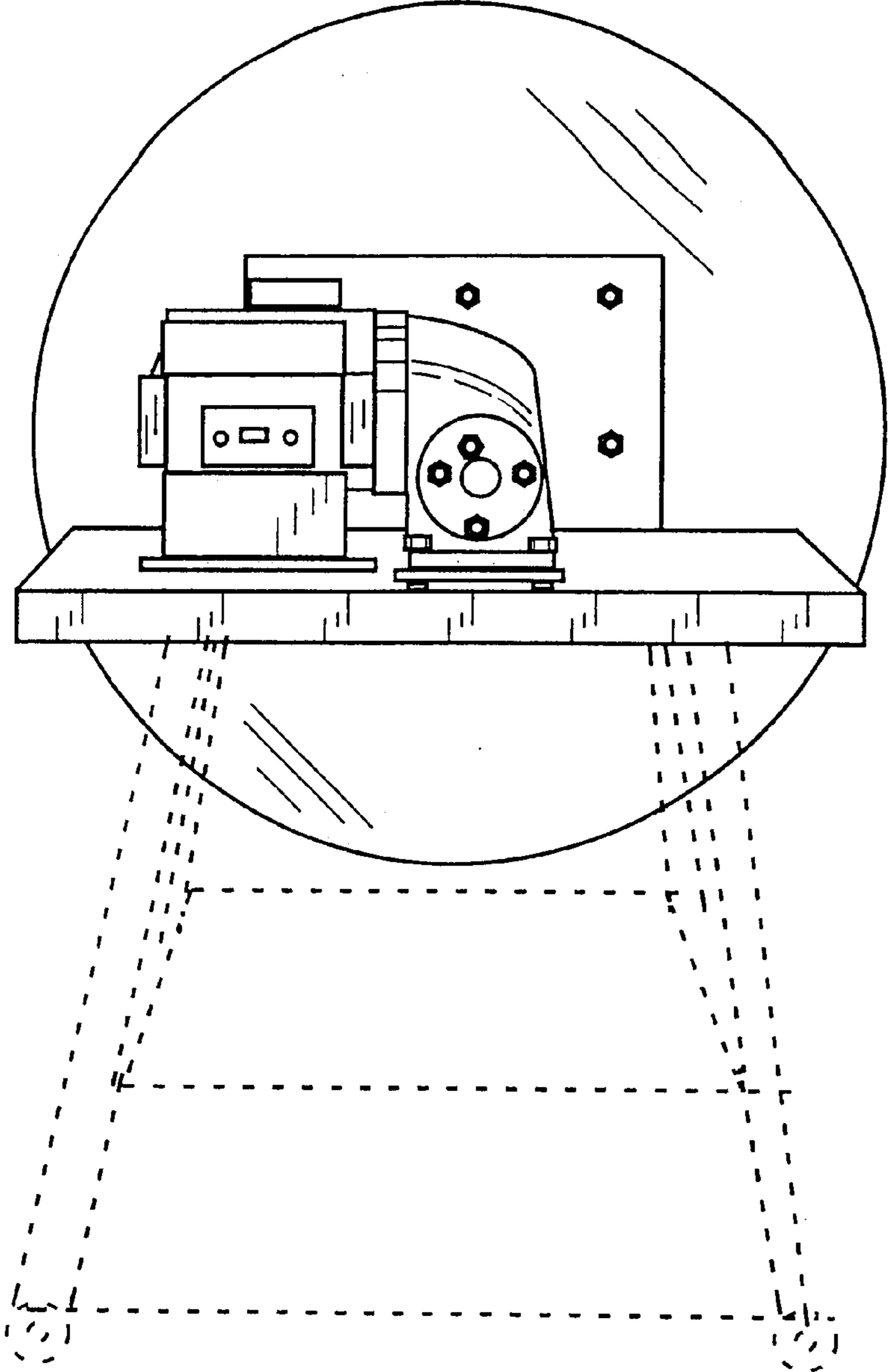


Figure 13

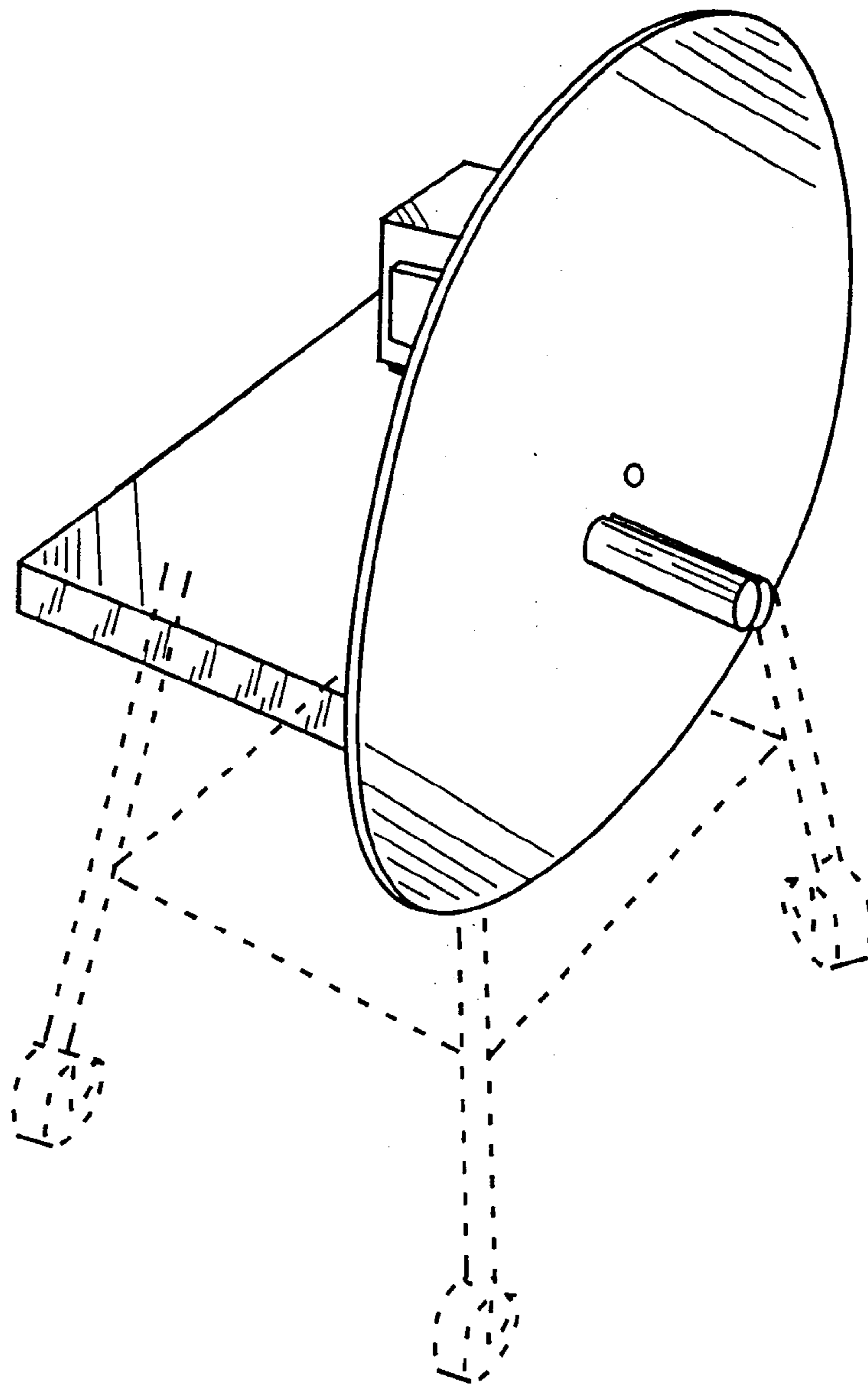


Figure 14