



US00D536598S

(12) **United States Design Patent**
Livacich

(10) **Patent No.: US D536,598 S**

(45) **Date of Patent: ** Feb. 13, 2007**

(54) **BRACKET**

(75) Inventor: **John Livacich**, Sunnyvale, CA (US)

(73) Assignee: **Evrio, Inc.**, Sunnyvale, CA (US)

(**) Term: **14 Years**

(21) Appl. No.: **29/222,363**

(22) Filed: **Jan. 28, 2005**

(51) **LOC (8) Cl.** **08-05**

(52) **U.S. Cl.** **D8/349**; D8/387; D8/388

(58) **Field of Classification Search** D8/349,
D8/354, 387-389; 411/383, 388, 502, 510,
411/548

See application file for complete search history.

(56) **References Cited**

U.S. PATENT DOCUMENTS

3,307,437	A	*	3/1967	Harcourt	81/124.4
4,878,793	A	*	11/1989	Hewison	411/387.2
4,939,960	A	*	7/1990	Kinzli	81/124.4
D401,135	S	*	11/1998	Willert	D8/387
D409,060	S	*	5/1999	Lucy	D8/24

6,662,688 B1 * 12/2003 Avery 81/124.5

* cited by examiner

Primary Examiner—Holly H. Baynham

(57) **CLAIM**

The ornamental design for a bracket, as shown and described.

DESCRIPTION

FIG. 1 is a realistic perspective view of a bracket, showing my new design;

FIG. 2 is a left view thereof;

FIG. 3 is a right view thereof;

FIG. 4 is a top view thereof;

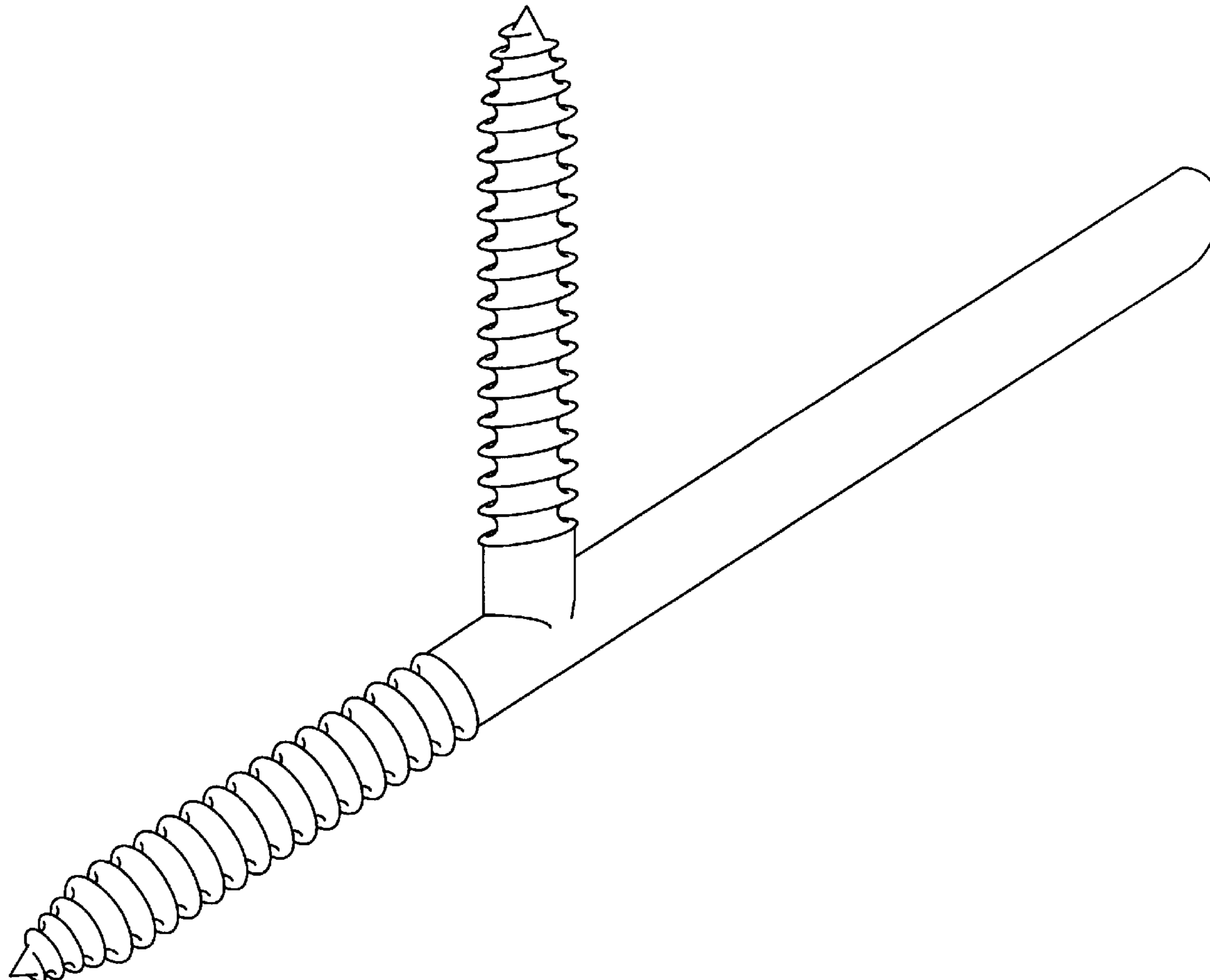
FIG. 5 is a bottom view thereof;

FIG. 6 is a front view thereof; and,

FIG. 7 is a back view thereof.

My bracket is characterized by three legs, where two orthogonal legs are threaded and are of substantially equal length and the longer third leg has a diagonally cut face in its end.

1 Claim, 3 Drawing Sheets



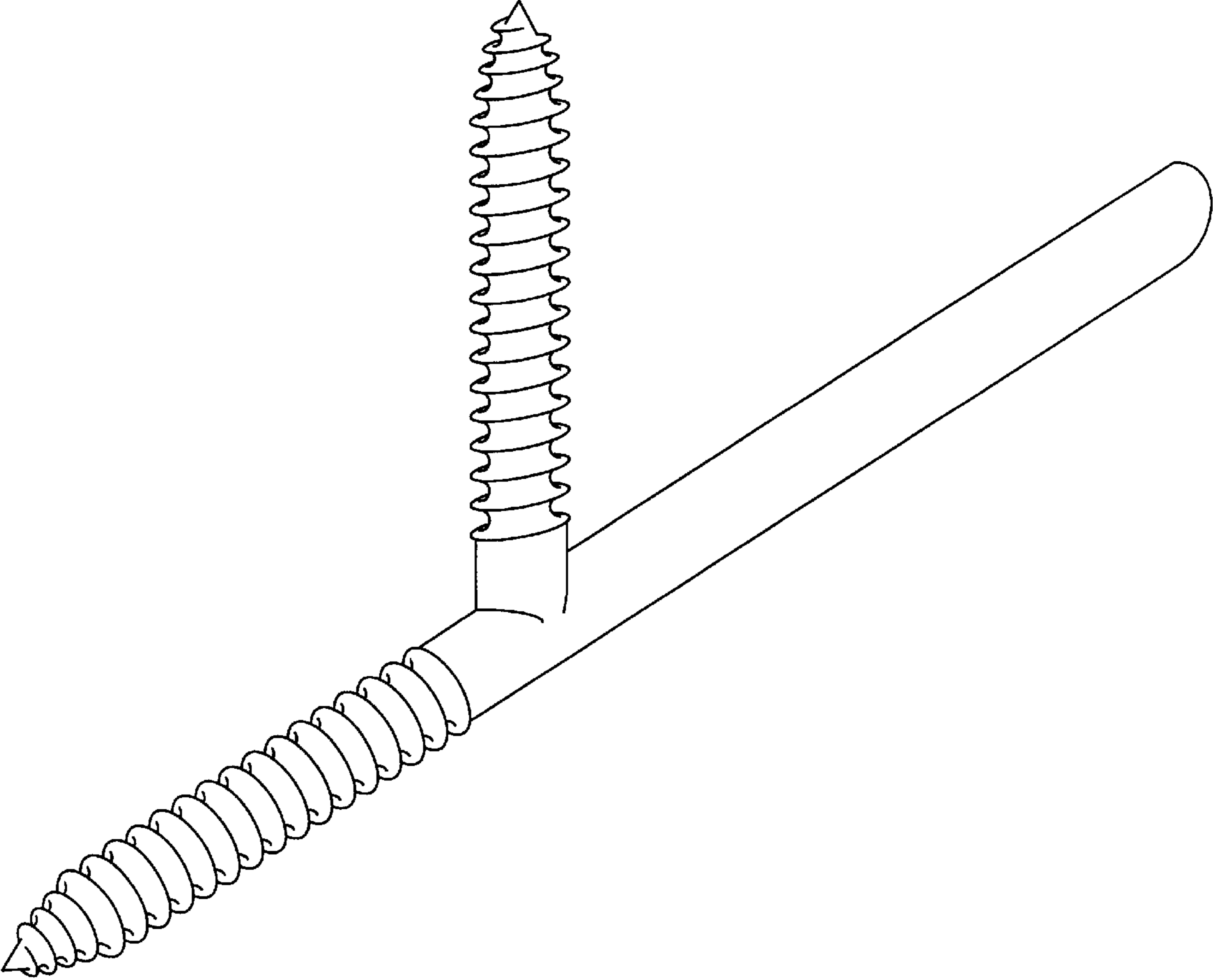


Fig 1

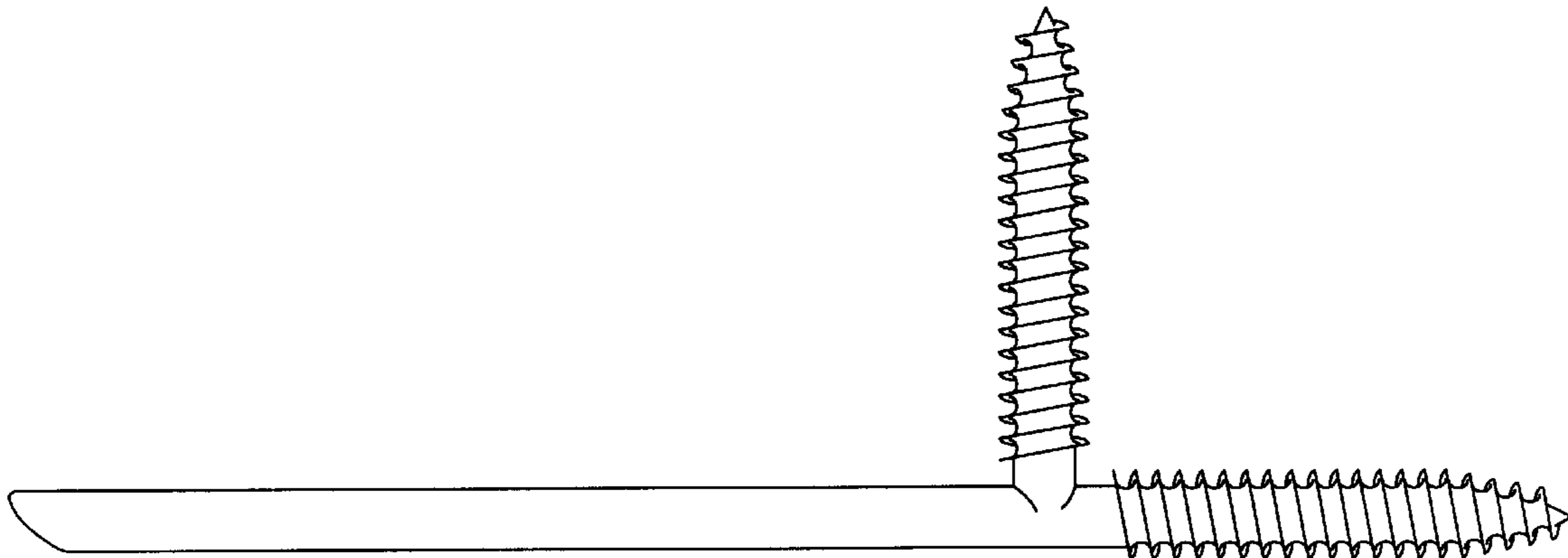


Fig 2

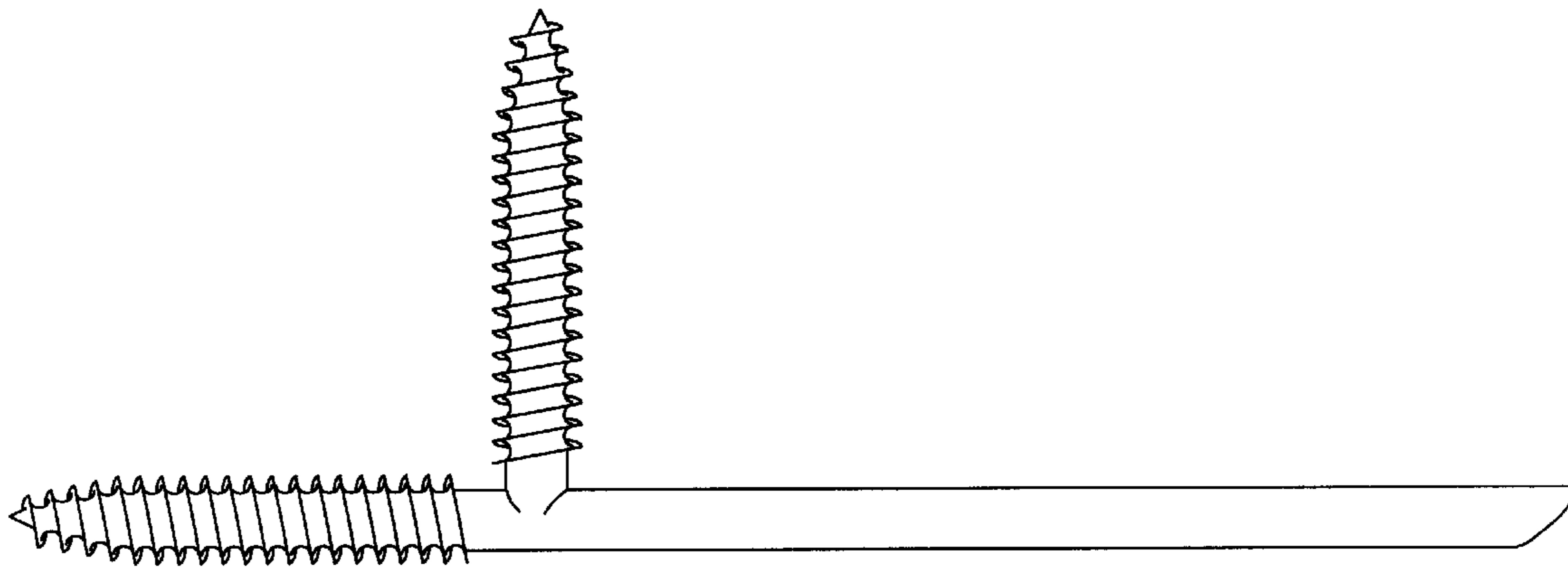


Fig 3

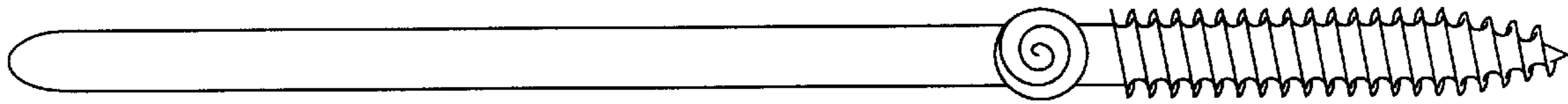


Fig 4

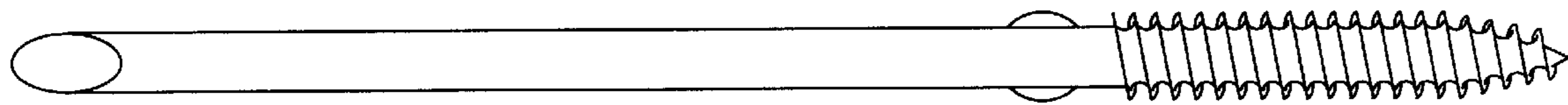


Fig 5

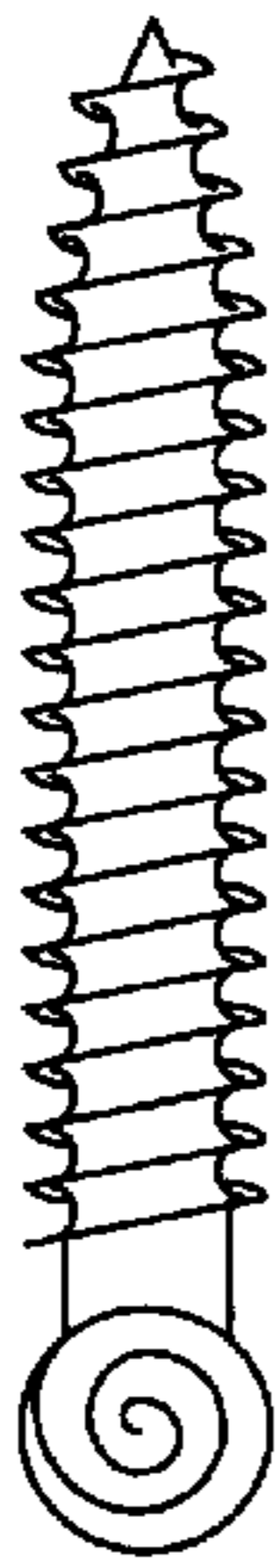


Fig 6



Fig 7