



US00D536597S

(12) **United States Design Patent**
Berlovan et al.

(10) **Patent No.:** **US D536,597 S**

(45) **Date of Patent:** **** Feb. 13, 2007**

(54) **GRAB BAR**

(75) Inventors: **Viorel Berlovan**, Medina, OH (US);
Christopher Jon Gilbert, Moreland Hills, OH (US)

(73) Assignee: **Moen Corporation**, North Olmsted, OH (US)

(**) Term: **14 Years**

(21) Appl. No.: **29/241,732**

(22) Filed: **Oct. 31, 2005**

(51) **LOC (8) Cl.** **08-06**

(52) **U.S. Cl.** **D8/315**

(58) **Field of Classification Search** D8/315,
D8/316; D6/524, 533; D99/8, 11, 16; D23/304;
4/577.1; 15/143.1, 167.1; 16/406, 436; 211/105.2,
211/105.1; 160/330; 228/170; 229/117.19,
229/117.23

See application file for complete search history.

3,657,765 A * 4/1972 Geisinger 16/406
D272,039 S * 1/1984 Stairs, Jr. D8/315
4,729,482 A 3/1988 Nicholson
D314,130 S 1/1991 Lee
5,190,267 A 3/1993 Schmitt et al.
5,295,595 A * 3/1994 Gobidas et al. 211/105.1
D372,414 S 8/1996 De'Armond
D372,659 S 8/1996 De'Armond
D382,789 S 8/1997 Marzec
5,690,237 A 11/1997 Marzec
D391,138 S 2/1998 Schacht
D403,229 S 12/1998 Chou
D418,389 S 1/2000 O'Neill
D418,908 S * 1/2000 Warshawsky D23/304
D424,402 S 5/2000 Caugh et al.
D432,895 S 10/2000 Lu
D432,896 S 10/2000 Lee
6,332,233 B1 * 12/2001 Proulx 15/167.1
6,726,393 B2 * 4/2004 Tsai et al. 403/109.4

* cited by examiner

Primary Examiner—Paula A. Greene
(74) *Attorney, Agent, or Firm*—Calfee, Halter & Griswold LLP

(56) **References Cited**

U.S. PATENT DOCUMENTS

248,865 A 11/1881 Leonard
586,080 A 7/1897 Thompson
1,145,471 A * 7/1915 Dobrick 16/436
1,576,077 A 3/1926 Watson
D80,927 S 4/1930 Weber
1,769,326 A 7/1930 Weis
2,005,576 A 6/1935 Buhl et al.
2,094,240 A * 9/1937 Herrick et al. 15/167.1
2,269,420 A * 1/1942 Anderson et al. 4/577.1
D161,268 S 12/1950 Jones
D163,231 S 5/1951 Stuman
2,644,954 A 7/1953 Jumper
3,156,977 A * 11/1964 Logan 228/170
D218,619 S * 9/1970 Young D8/316

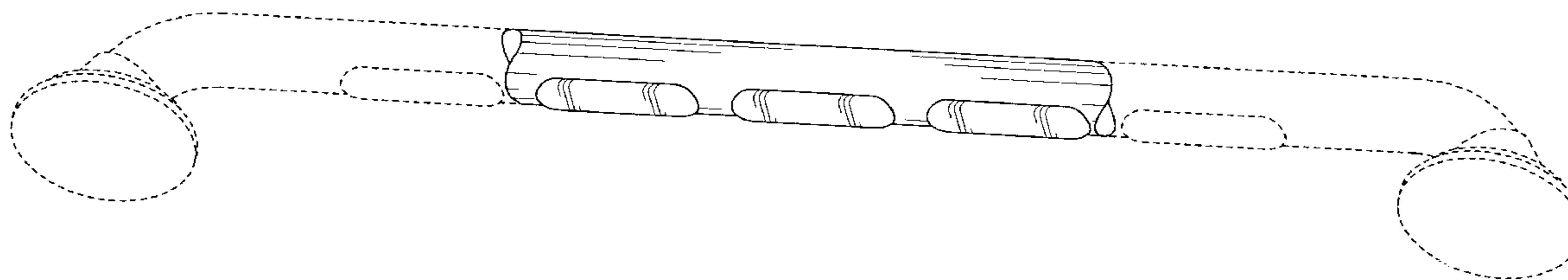
(57) **CLAIM**

The ornamental design for a grab bar, as shown and described.

DESCRIPTION

FIG. 1 is a fragmentary perspective view of a grab bar showing our new design;
FIG. 2 is a fragmentary front elevational view thereof;
FIG. 3 is a fragmentary rear elevational view thereof;
FIG. 4 is a fragmentary top plan view thereof; and,
FIG. 5 is a fragmentary bottom plan view thereof.
The portions of the Figures shown in broken lines are not part of the claimed design but are for illustration only.

1 Claim, 2 Drawing Sheets



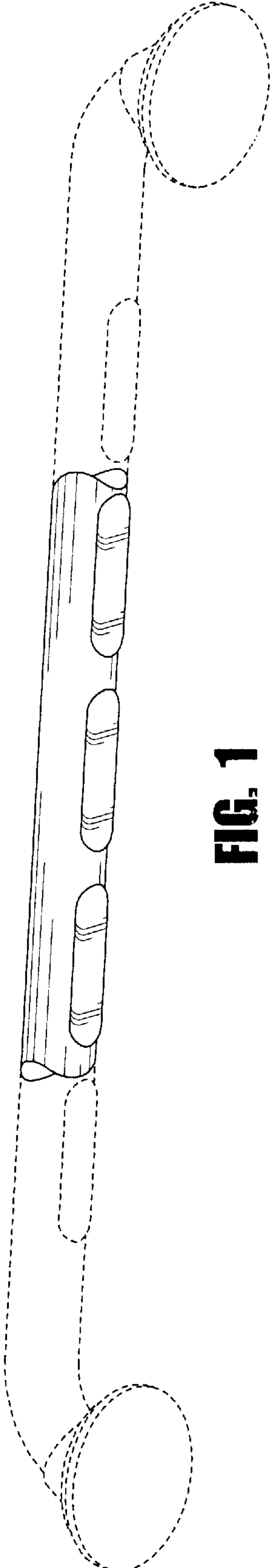


FIG. 1

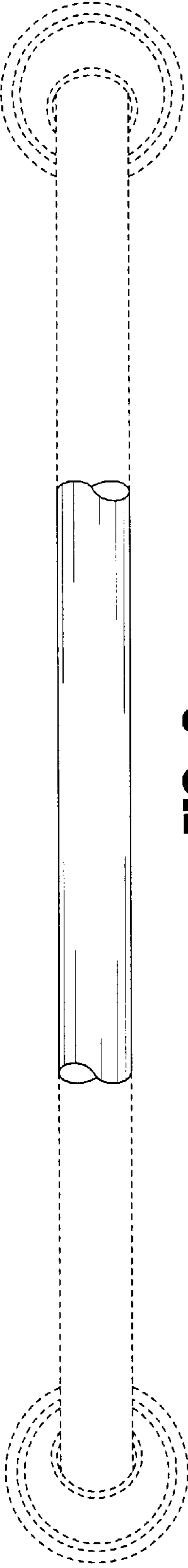


FIG. 2

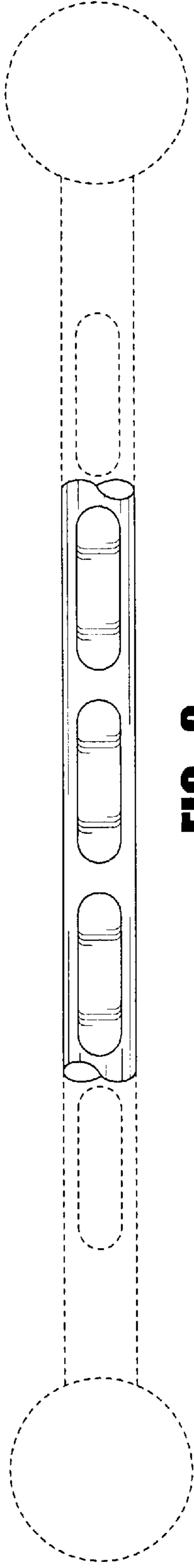


FIG. 3

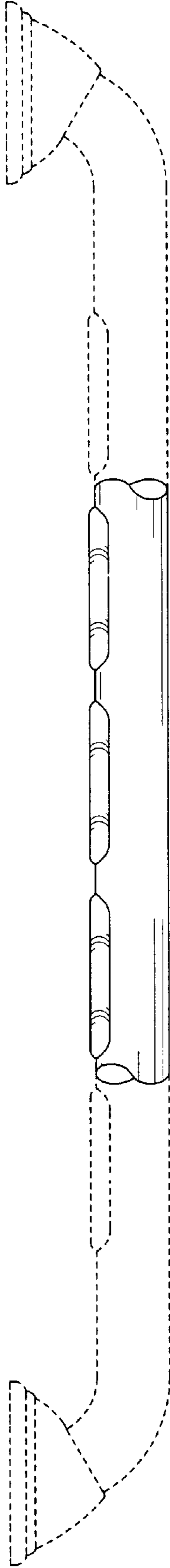


FIG. 4

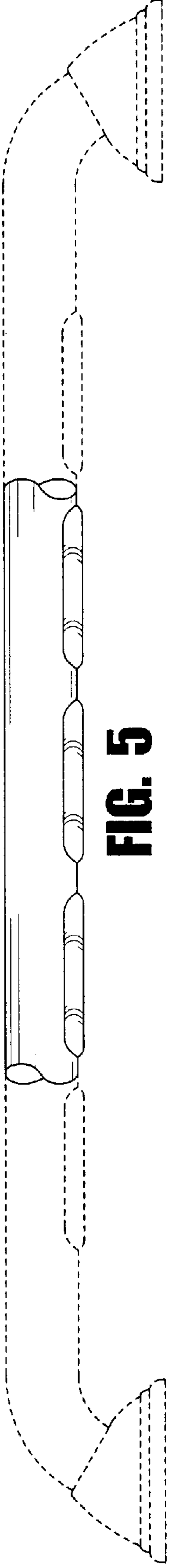


FIG. 5

UNITED STATES PATENT AND TRADEMARK OFFICE
CERTIFICATE OF CORRECTION

PATENT NO. : Des. 536,597 S
APPLICATION NO. : 29/241732
DATED : February 13, 2007
INVENTOR(S) : Viorel Berlovan and Christopher Jon Gilbert

Page 1 of 1

It is certified that error appears in the above-identified patent and that said Letters Patent is hereby corrected as shown below:

Title Pg, Item (73) Assignee:

“Moen Corporation” should read --Moen Incorporated--.

Signed and Sealed this

Twenty-sixth Day of August, 2008

A handwritten signature in black ink that reads "Jon W. Dudas". The signature is written in a cursive style with a large, looped initial "J".

JON W. DUDAS

Director of the United States Patent and Trademark Office