



US00D536593S

(12) **United States Design Patent**
Fraga

(10) **Patent No.:** **US D536,593 S**

(45) **Date of Patent:** **** Feb. 13, 2007**

(54) **UTILITY KNIFE WITH ROLLER**

D441,631 S * 5/2001 Carroll D8/98
6,748,659 B1 * 6/2004 Street 30/162

(76) Inventor: **Juan Carlos Fraga**, 2840 N. Second St., N. Fort Myers, FL (US) 33917

* cited by examiner

(**) Term: **14 Years**

Primary Examiner—Philip S. Hyder

(21) Appl. No.: **29/231,447**

(57) **CLAIM**

(22) Filed: **Jun. 6, 2005**

The ornamental design for a utility knife with roller, as shown and described.

(51) **LOC (8) Cl.** **08-03**

DESCRIPTION

(52) **U.S. Cl.** **D8/99**

(58) **Field of Classification Search** D8/98,
D8/99, 105, 107; 30/125, 162, 320, 329,
30/335, 337, 319

See application file for complete search history.

FIG. 1 is a perspective view of a utility knife with roller, showing my new design;
FIG. 2 is a side perspective view thereof;
FIG. 3 is a front elevational view thereof;
FIG. 4 is a rear elevational view thereof;
FIG. 5 is a left side elevational view thereof;
FIG. 6 is a top plan view thereof;
FIG. 7 is a right side elevational view thereof;
FIG. 8 is a bottom plan view thereof; and,
FIG. 9 is an open bottom plan view thereof.

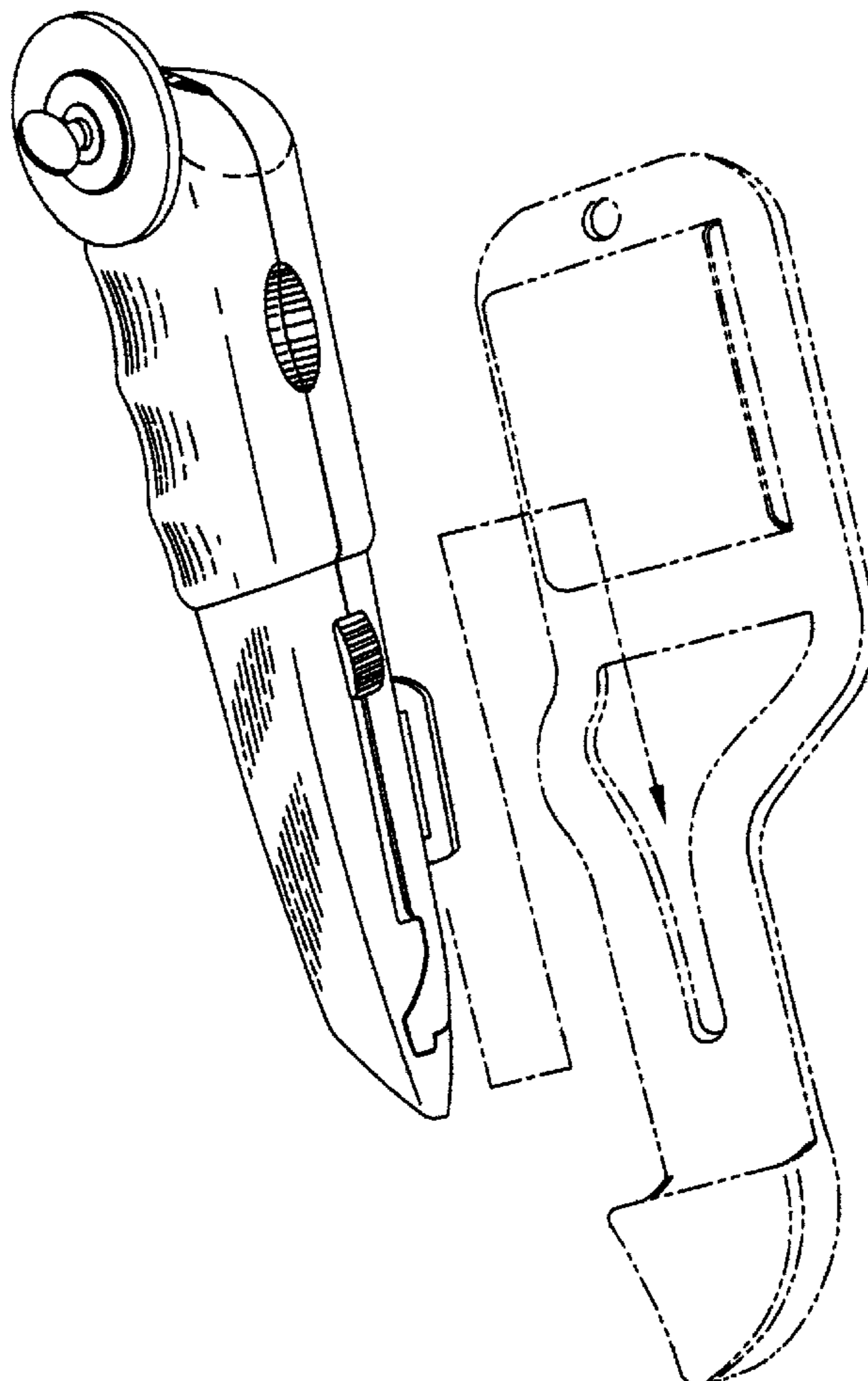
(56) **References Cited**

U.S. PATENT DOCUMENTS

4,790,059	A	*	12/1988	Killpack	29/451
D303,615	S	*	9/1989	Salem	D8/98
4,884,342	A	*	12/1989	McNamara et al.	30/162
4,910,821	A	*	3/1990	Kieferle	7/158
4,974,320	A	*	12/1990	Pelletier	30/123
5,072,471	A	*	12/1991	Isler	7/158

The broken line showings of the sheath are for illustrative purposes only and form no part of the claimed design.

1 Claim, 3 Drawing Sheets



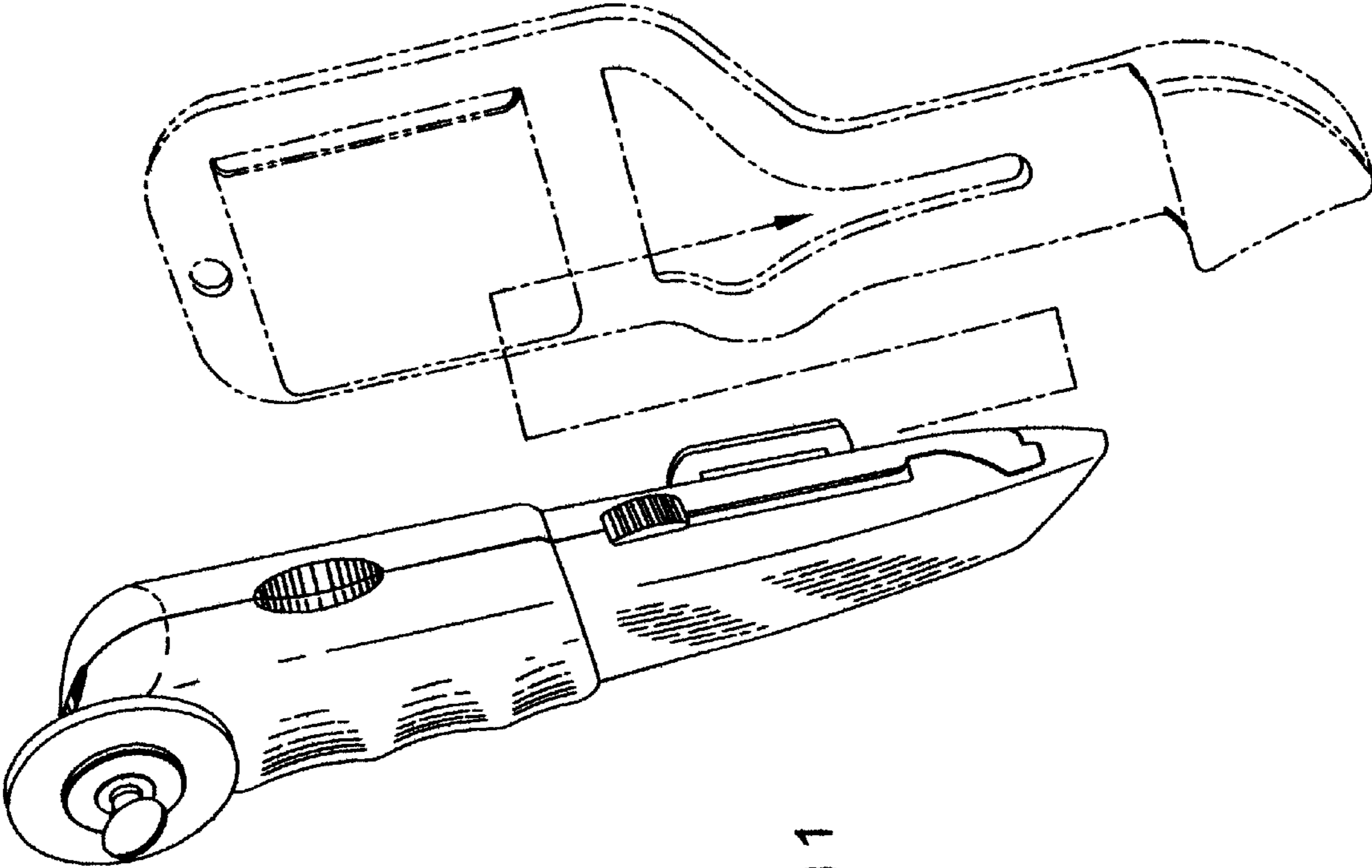


Fig 1

Fig 2

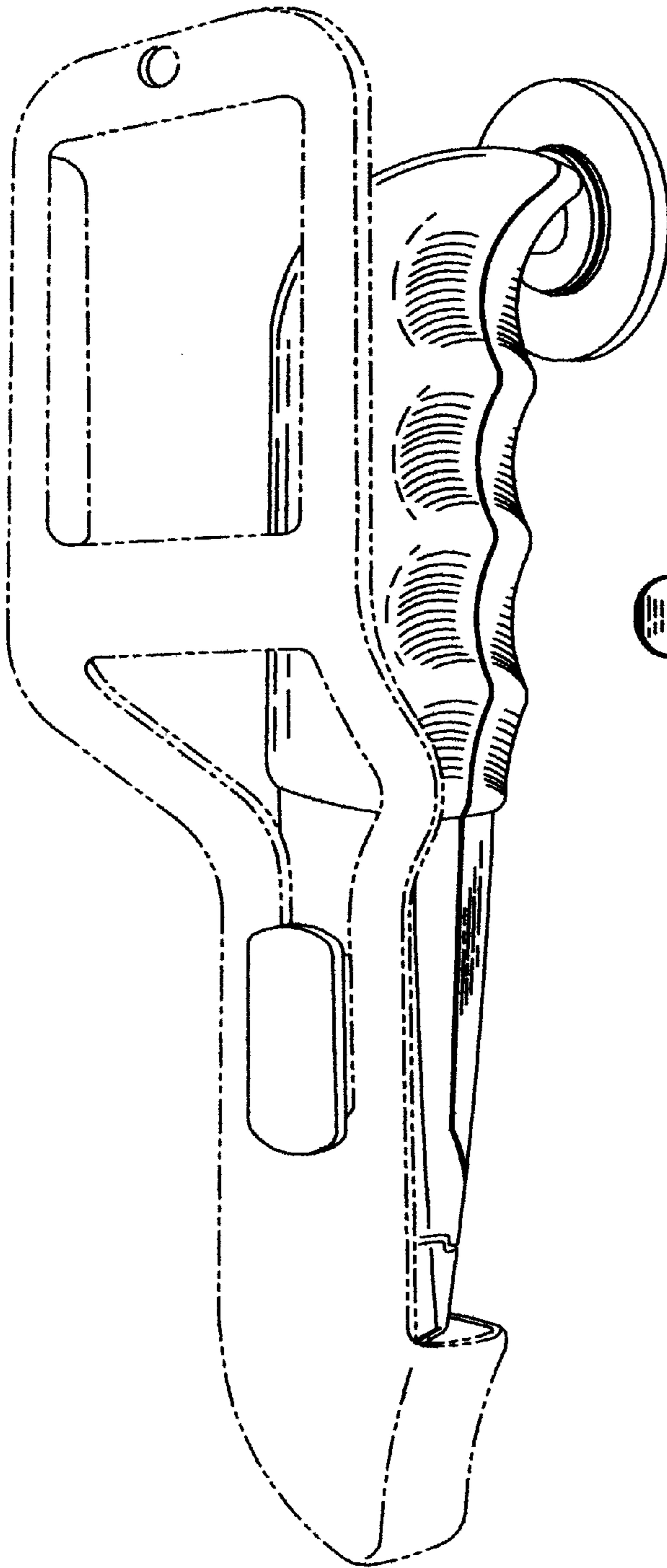


Fig 3

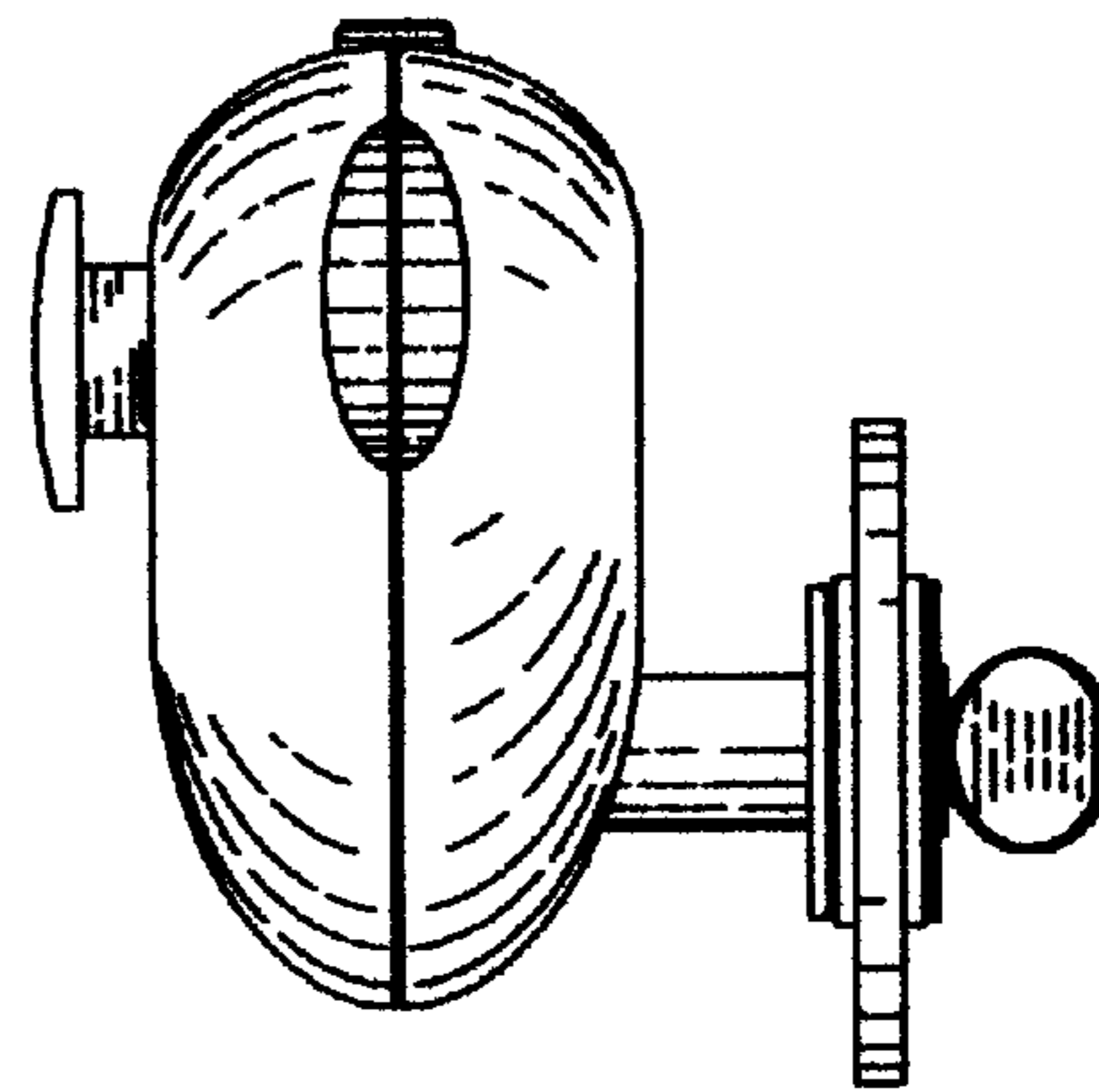
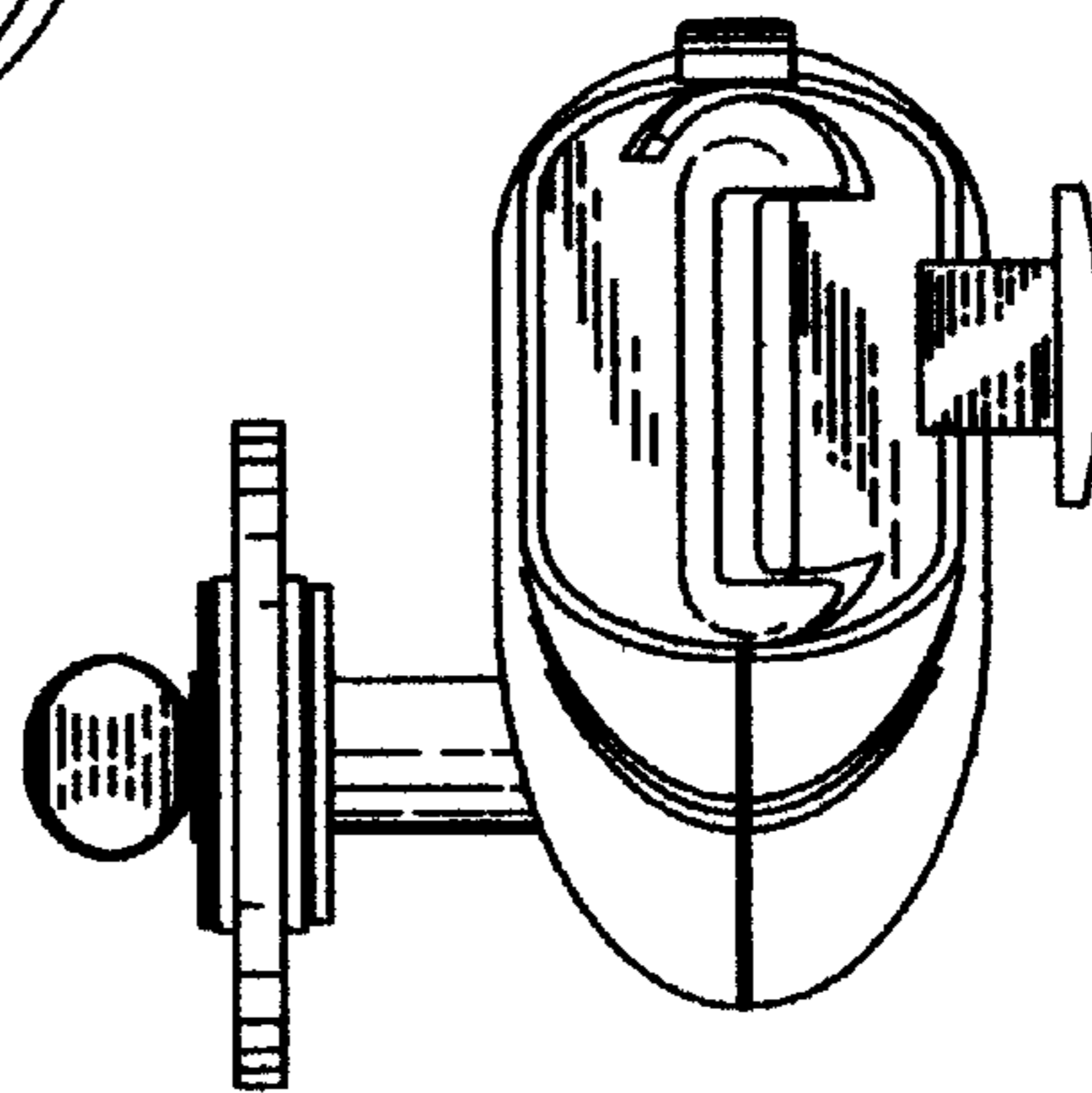


Fig 4

Fig 5

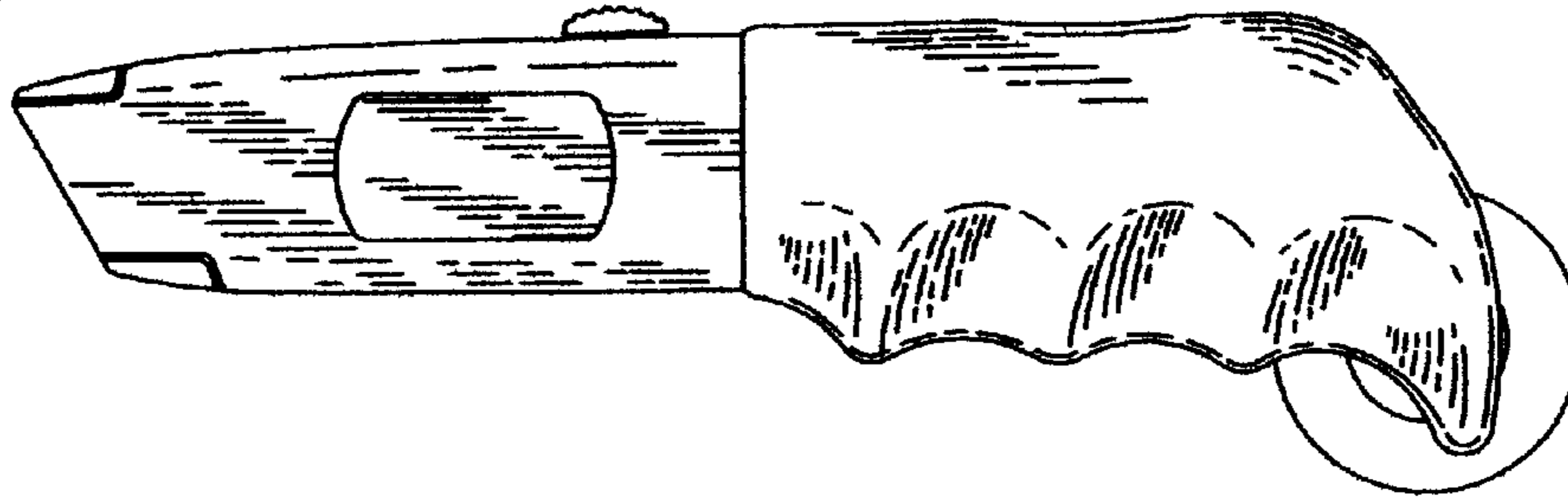


Fig 6

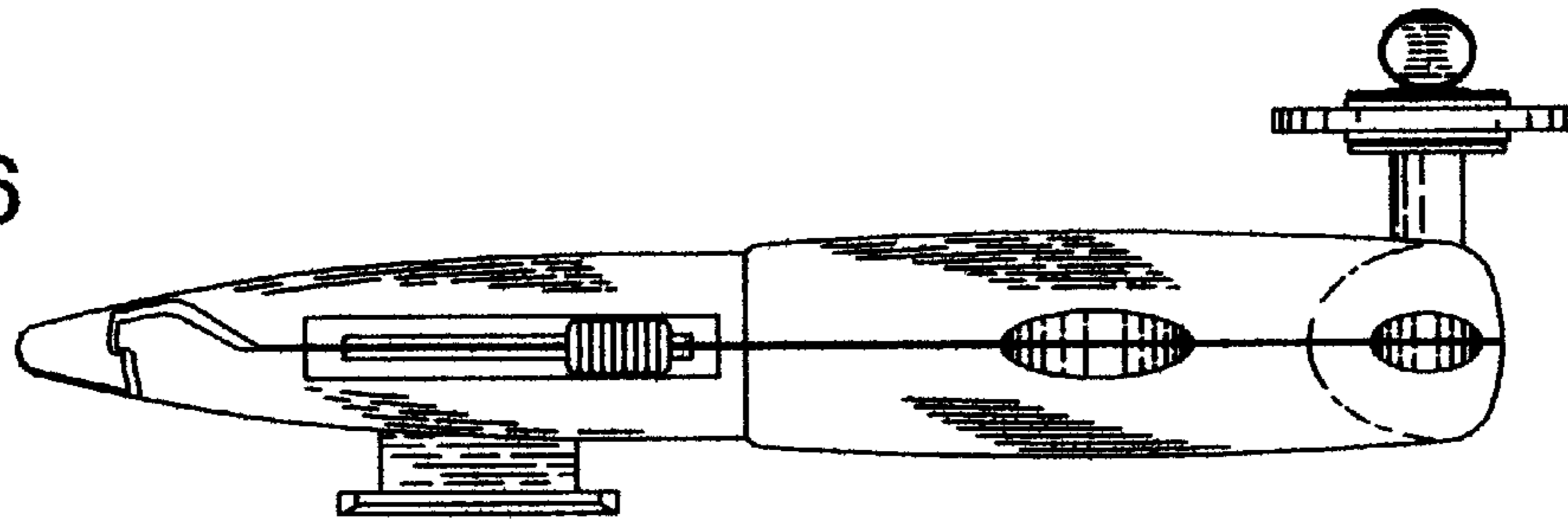


Fig 7

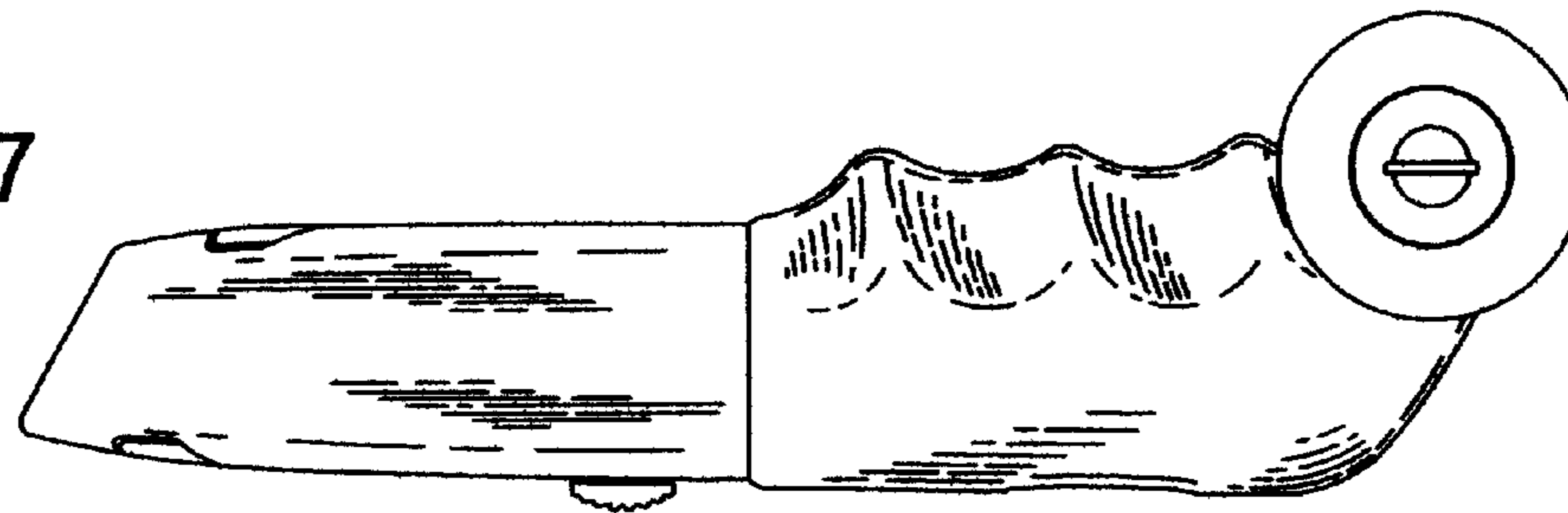


Fig 8

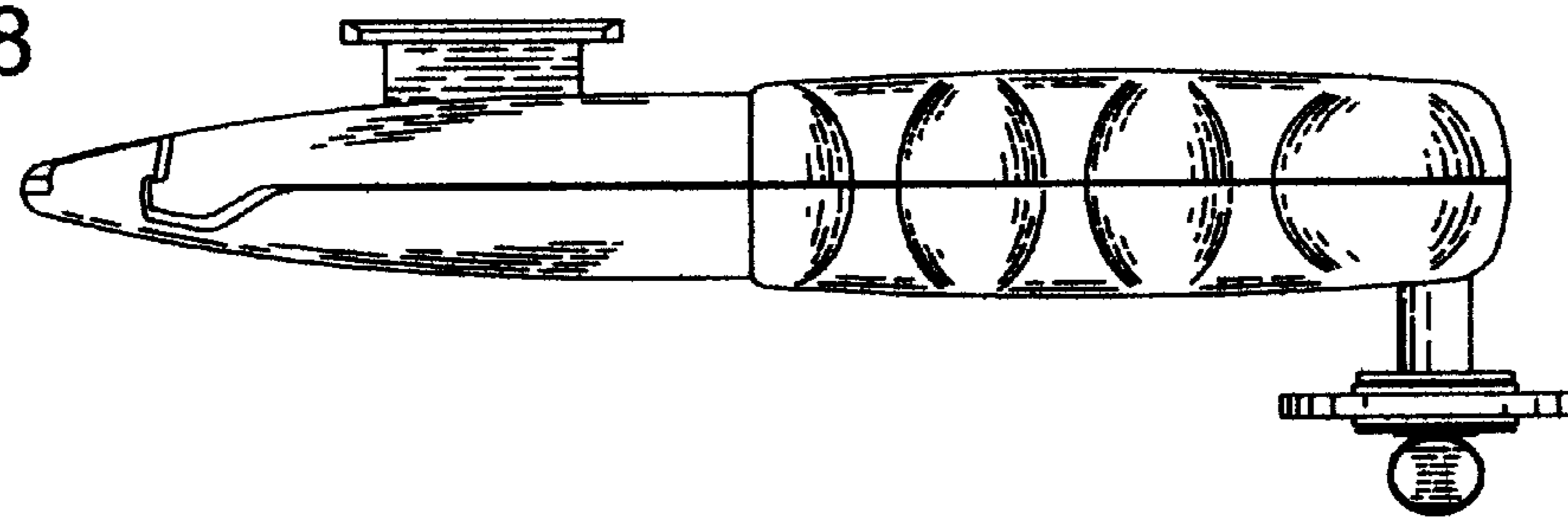


Fig 9

