



US00D536591S

(12) **United States Design Patent**
Ghode et al.

(10) **Patent No.:** **US D536,591 S**

(45) **Date of Patent:** **** Feb. 13, 2007**

(54) **CORDLESS DRILL**
(75) Inventors: **Anil P. Ghode**, Libertyville, IL (US);
Paul W. Griffin, Kenosha, WI (US);
Isidro M. Alanis, Kenosha, WI (US)

5,941,360 A 8/1999 Putney et al.
6,043,575 A 3/2000 Ghode et al.
D424,902 S 5/2000 Gildersleeve et al.
6,062,323 A 5/2000 Pusateri et al.
D435,414 S * 12/2000 Etter et al. D8/68
6,158,526 A * 12/2000 Ghode et al. 173/211

(73) Assignee: **Snap-on Incorporated**, Kenosha, WI (US)

(Continued)

(**) Term: **14 Years**

FOREIGN PATENT DOCUMENTS

(21) Appl. No.: **29/246,069**

GB 2058427 S * 8/1996
GB 2104051 S * 2/2001

(22) Filed: **Jan. 19, 2006**

OTHER PUBLICATIONS

(51) **LOC (8) Cl.** **08-01**
(52) **U.S. Cl.** **D8/68**
(58) **Field of Classification Search** D8/14.1,
D8/61, 62, 63, 64, 65, 66, 67, 68, 69, 70;
81/57.11, 429, 464, 465, 466, 469, 489; 173/13,
173/104, 114, 168, 169, 170, 171, 178, 201,
173/211, 213, 217; 408/20, 124, 125, 234,
408/241 R; 451/358; 310/50; 227/8, 113,
227/114, 120, 130, 136, 142
See application file for complete search history.

“18 Volt ½ in. Impact Wrench Kit” Model No. 9079–22 from Milwaukee Tool Corporation website: www.milwaukeetool.com, Jan. 24, 2003.

“Impact Wrench, Cordfree, 18 Volt, ½ Drive,” Model No. CT3850 from Snap-on Website www.snapon.com, Jan. 24, 2003.

Primary Examiner—T. Chase Nelson
(74) *Attorney, Agent, or Firm*—Barnes & Thornburg LLP

(57) **CLAIM**

What is claimed is the ornamental design for a cordless drill, as shown and described.

(56) **References Cited**

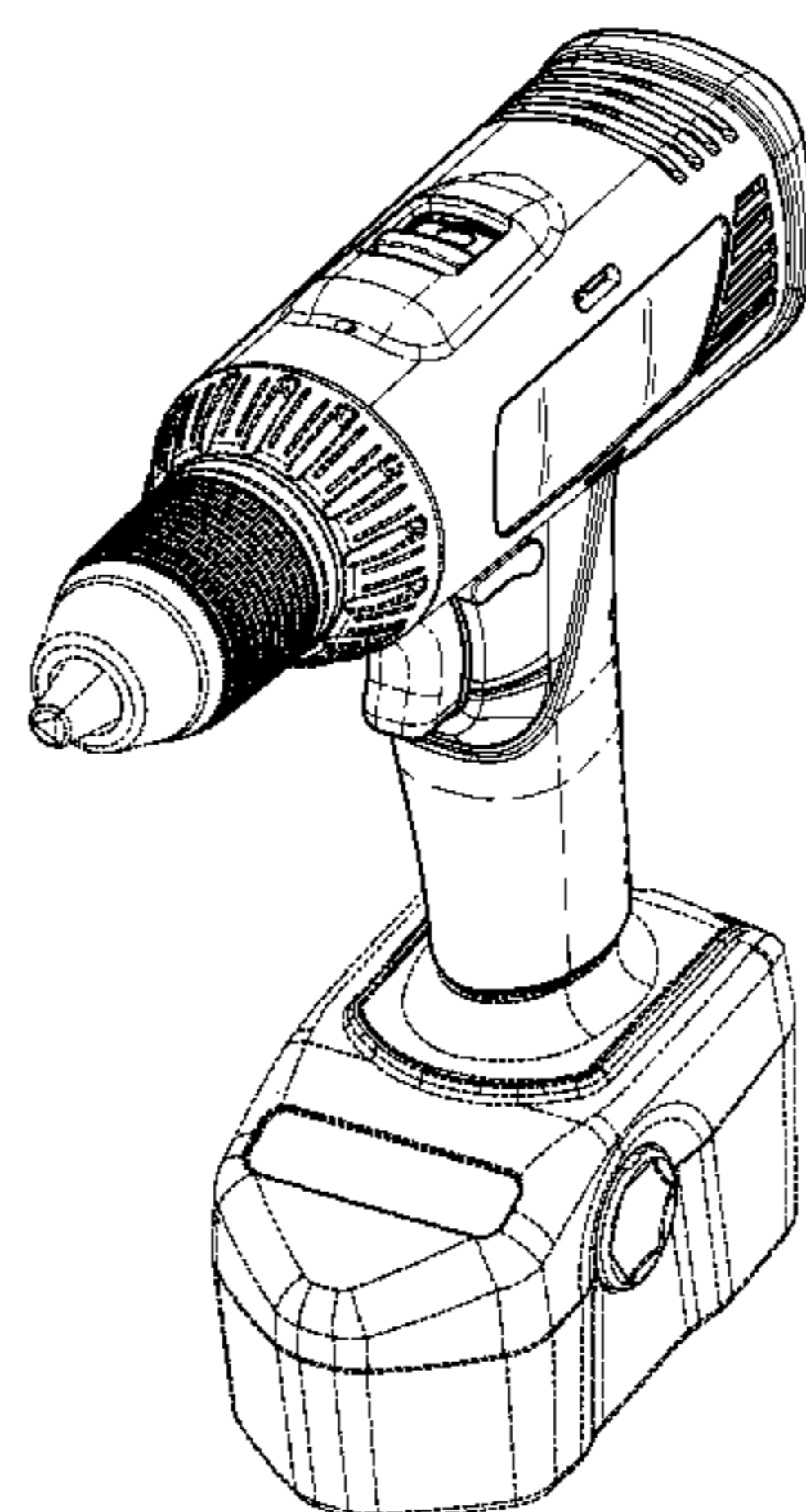
U.S. PATENT DOCUMENTS

D296,412 S 6/1988 Nelson et al.
D315,855 S 4/1991 Fushiya et al.
D320,917 S 10/1991 Fushiya et al.
D328,411 S * 8/1992 Cavedo D8/68
D335,073 S * 4/1993 Anthony et al. D8/68
D339,046 S 9/1993 Fushiya et al.
D342,430 S 12/1993 Saito et al.
D360,814 S * 8/1995 Kimata D8/68
5,465,196 A 11/1995 Hasenberg et al.
D378,268 S * 3/1997 Schultz D8/68
D382,457 S * 8/1997 Ghode et al. D8/68
D389,384 S * 1/1998 Lui D8/68
D392,530 S * 3/1998 Lui D8/68
D392,863 S 3/1998 Sugimoto et al.
5,799,739 A * 9/1998 Takaada et al. 173/217
D404,276 S * 1/1999 Ghode et al. D8/68
5,881,855 A 3/1999 Putney et al.
D409,776 S 5/1999 Ghode et al.

DESCRIPTION

FIG. 1 is a front perspective view of the cordless drill with a broken line representation of a battery;
FIG. 2 is a right side elevational view thereof, the left side view is not shown as it is a mirror image of the right side view, with the broken line representation of a battery seen in FIG. 1 removed from FIGS. 2–6;
FIG. 3 is a top plan view thereof;
FIG. 4 is a bottom plan view thereof; the push button just above the trigger being shown in an alternate position in this view;
FIG. 5 is a front elevational view thereof; and,
FIG. 6 is a rear elevational view thereof.
The broken lines are shown in the views for illustrative purposes only and form no part of the claimed invention.

1 Claim, 4 Drawing Sheets



US D536,591 S

Page 2

U.S. PATENT DOCUMENTS

D437,759 S *	2/2001	Breit et al.	D8/68	6,702,090 B2 *	3/2004	Nakamura et al.	173/217
D437,761 S	2/2001	Okumura et al.			6,729,415 B1 *	5/2004	Huang	173/170
6,227,308 B1 *	5/2001	Ghode et al.	173/211	D494,034 S *	8/2004	Cheung	D8/68
D446,704 S	8/2001	Shibata et al.			D501,385 S *	2/2005	Cheung et al.	D8/68
6,308,378 B1 *	10/2001	Mooty et al.	81/489	6,860,342 B1 *	3/2005	Wu et al.	173/170
6,390,205 B2 *	5/2002	Wallgren et al.	173/171	D508,837 S *	8/2005	Andriolo	D8/68
D458,101 S	6/2002	Hartman et al.			6,938,706 B2 *	9/2005	Ng	173/170
D460,907 S *	7/2002	Geis	D8/68	D515,378 S *	2/2006	Wu	D8/68
D466,386 S	12/2002	Zurwelle			D520,836 S *	5/2006	Wu	D8/68
6,488,451 B1	12/2002	Hartman			D521,337 S *	5/2006	Cheung et al.	D8/68
6,501,197 B1	12/2002	Cornog et al.			2002/0130007 A1 *	9/2002	Nakamura et al.	173/217
6,508,313 B1	1/2003	Carney et al.			2003/0024716 A1 *	2/2003	Carney et al.	173/217
D469,675 S *	2/2003	Chung	D8/68	2004/0216907 A1	11/2004	Happ et al.		
D471,419 S *	3/2003	Chunn et al.	D8/68	2004/0231101 A1	11/2004	Alanis		
D476,544 S *	7/2003	Ghode et al.	D8/68	2005/0121209 A1 *	6/2005	Shimizu et al.	173/170
6,598,684 B2	7/2003	Watanabe			2006/0087193 A1 *	4/2006	Hyodo et al.	310/50
D484,384 S *	12/2003	Ghode et al.	D8/68	2006/0104735 A1 *	5/2006	Zeiler et al.	408/241 R

* cited by examiner

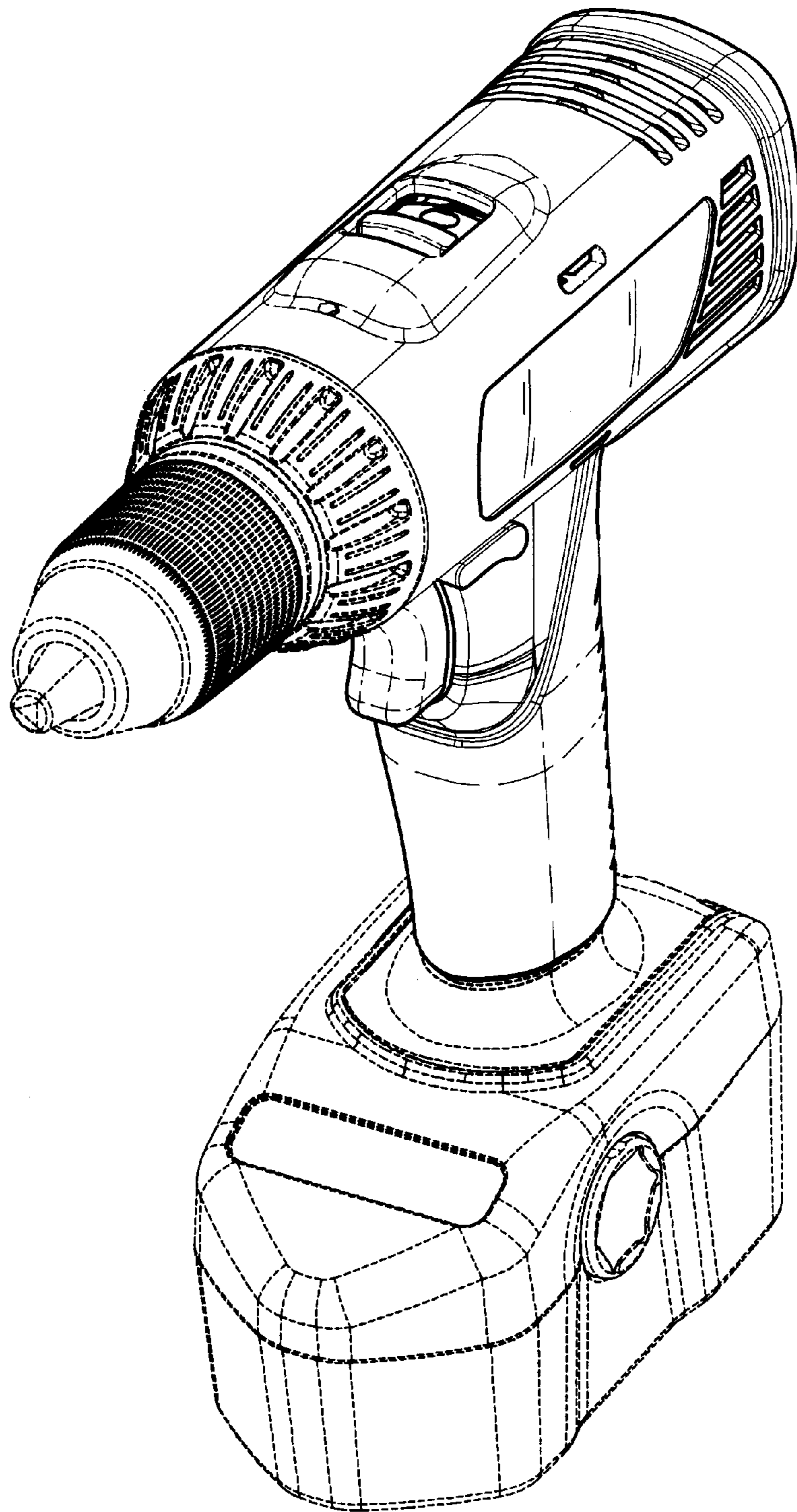


FIG. 1

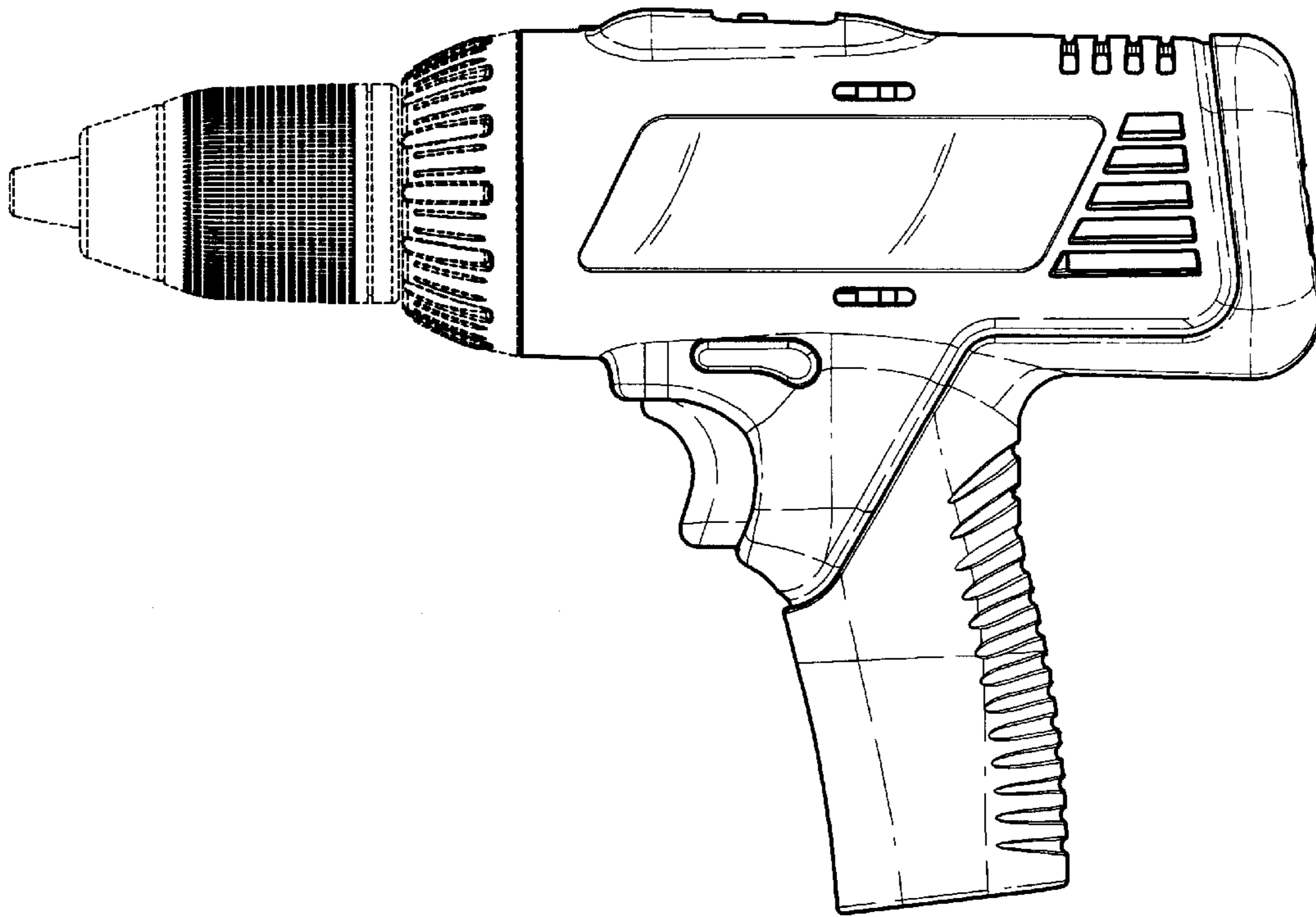


FIG. 2

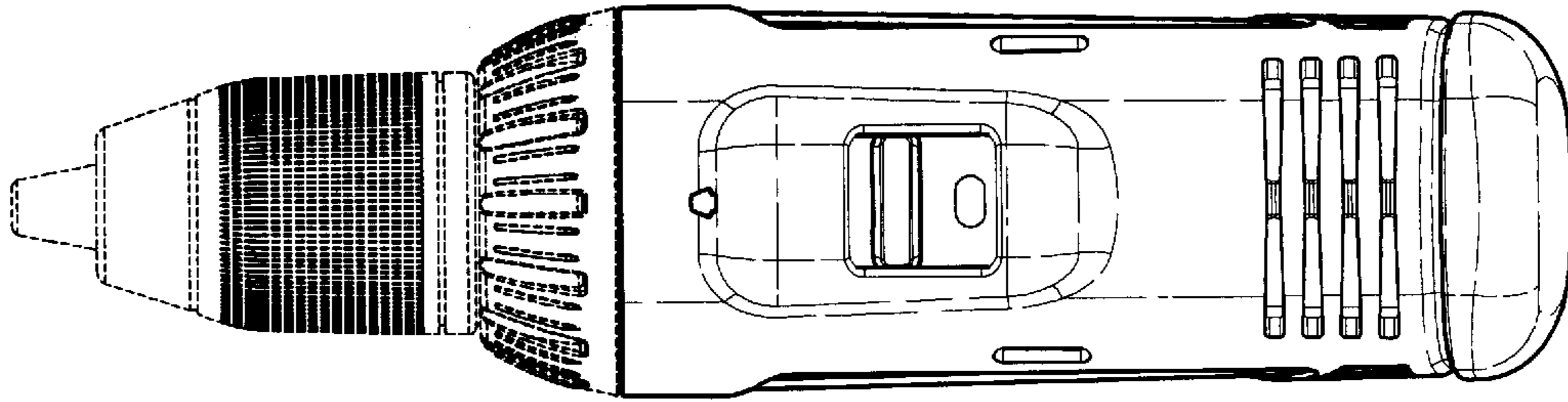


FIG. 3

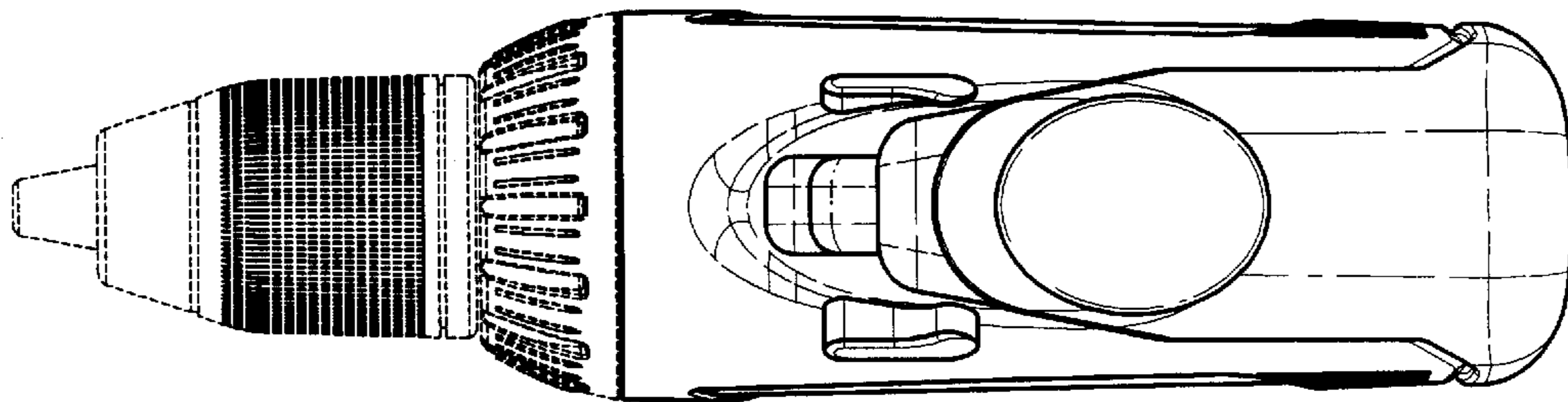


FIG. 4

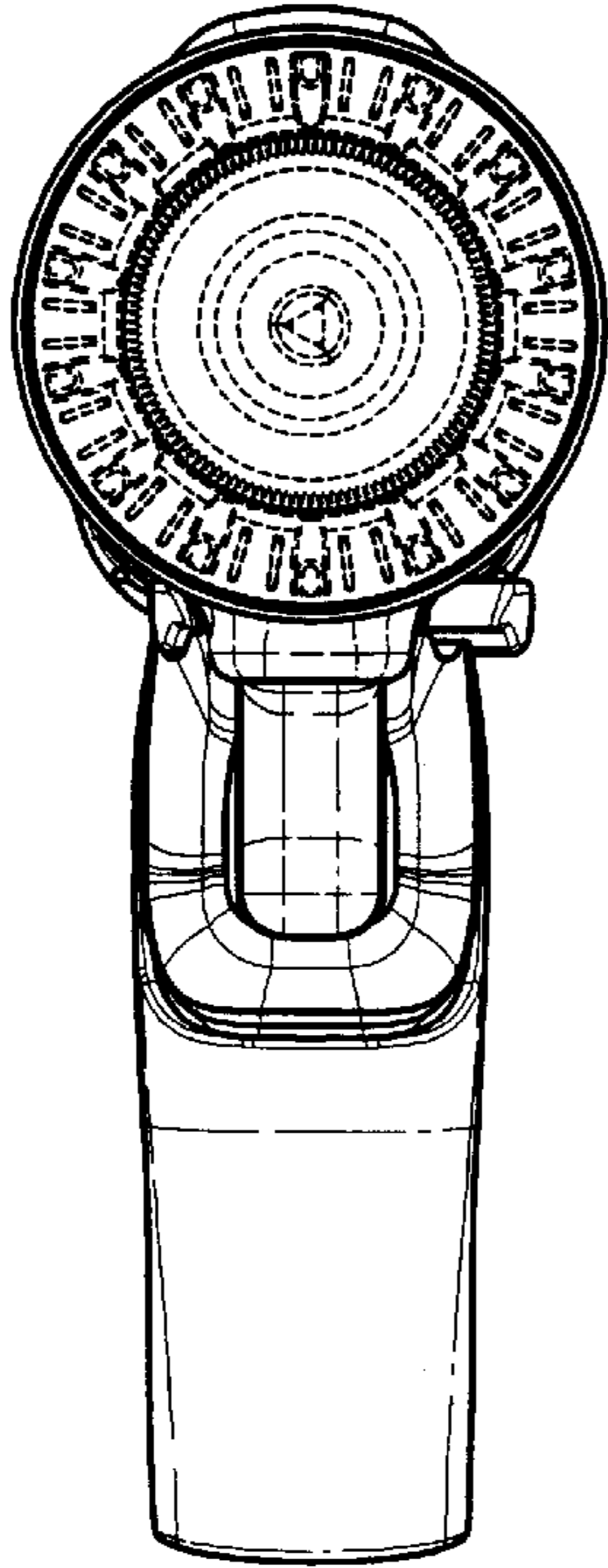


FIG. 5

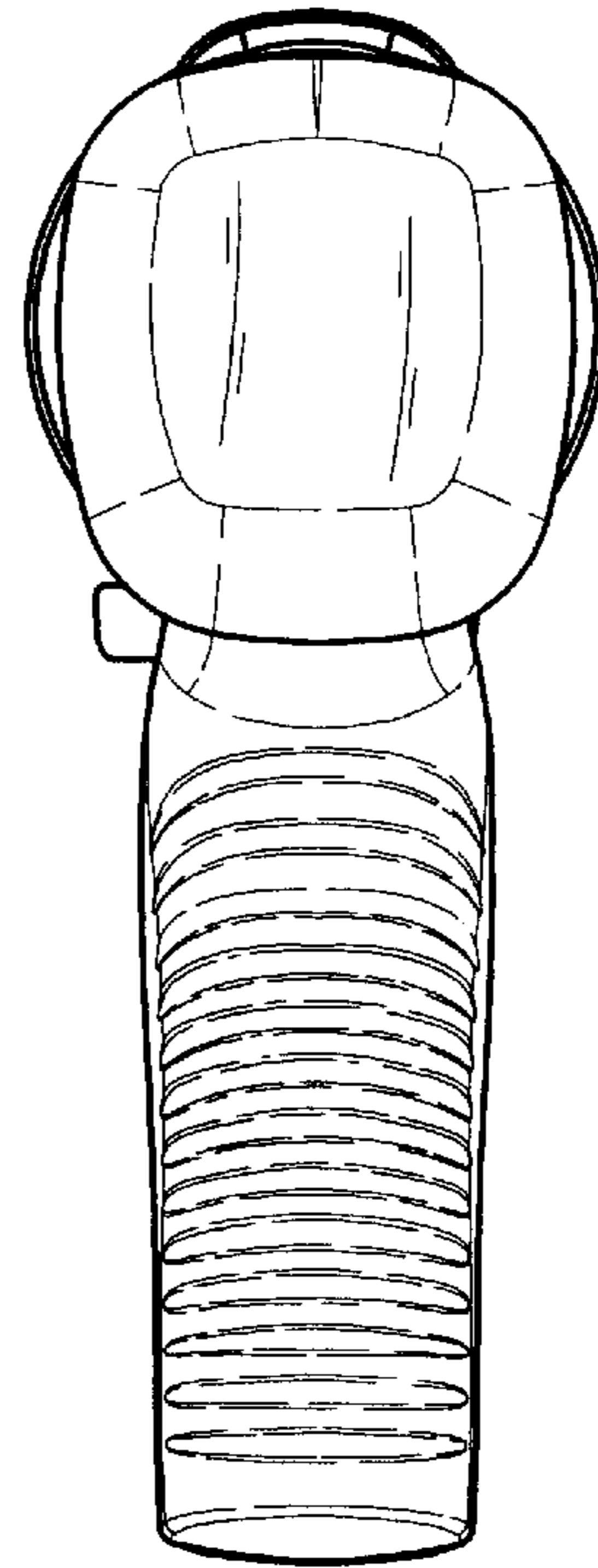


FIG. 6