

US00D536590S

(12) **United States Design Patent**  
**Busschaert**

(10) **Patent No.:** **US D536,590 S**

(45) **Date of Patent:** **\*\* Feb. 13, 2007**

(54) **CORDLESS CHAIN SAW**

D445,657 S \* 7/2001 Jong ..... D8/65  
D481,601 S \* 11/2003 Ashfield ..... D8/65

(75) Inventor: **Jason F. Busschaert**, Towson, MD  
(US)

\* cited by examiner

(73) Assignee: **Black & Decker Inc.**, Newark, DE  
(US)

*Primary Examiner*—Cathron C. Brooks

*Assistant Examiner*—Austin Murphy

(\*\*) Term: **14 Years**

(74) *Attorney, Agent, or Firm*—John Yun; Bruce S. Shapiro; Wesley W. Muller

(21) Appl. No.: **29/259,740**

(57) **CLAIM**

(22) Filed: **May 15, 2006**

The ornamental design for a cordless chain saw, as shown and described.

(51) **LOC (8) Cl.** ..... **08-03**

**DESCRIPTION**

(52) **U.S. Cl.** ..... **D8/65**

FIG. 1 is a right side perspective view of a cordless chain saw of the present invention.

(58) **Field of Classification Search** ..... D8/7,  
D8/8, 9, 68, 70, 65, 66, 67, 62, 63, 64, 61;  
30/386, 383, 382, 371, 123; 125/21  
See application file for complete search history.

FIG. 2 is a left side perspective view of the cordless chain saw according to FIG. 1.

FIG. 3 is a front view of the cordless chain saw according to FIG. 1.

(56) **References Cited**

**U.S. PATENT DOCUMENTS**

4,365,416 A \* 12/1982 Overbury ..... 30/382  
D272,310 S \* 1/1984 Dynie et al. .... D8/65  
D273,456 S \* 4/1984 McDougall et al. .... D8/65  
5,184,403 A \* 2/1993 Schliemann ..... 30/123.4  
D365,262 S \* 12/1995 Beaulieu et al. .... D8/65  
5,685,080 A \* 11/1997 Amano et al. .... 30/383  
D389,026 S \* 1/1998 Amano et al. .... D8/65

FIG. 4 is a rear view of the cordless chain saw according to FIG. 1.

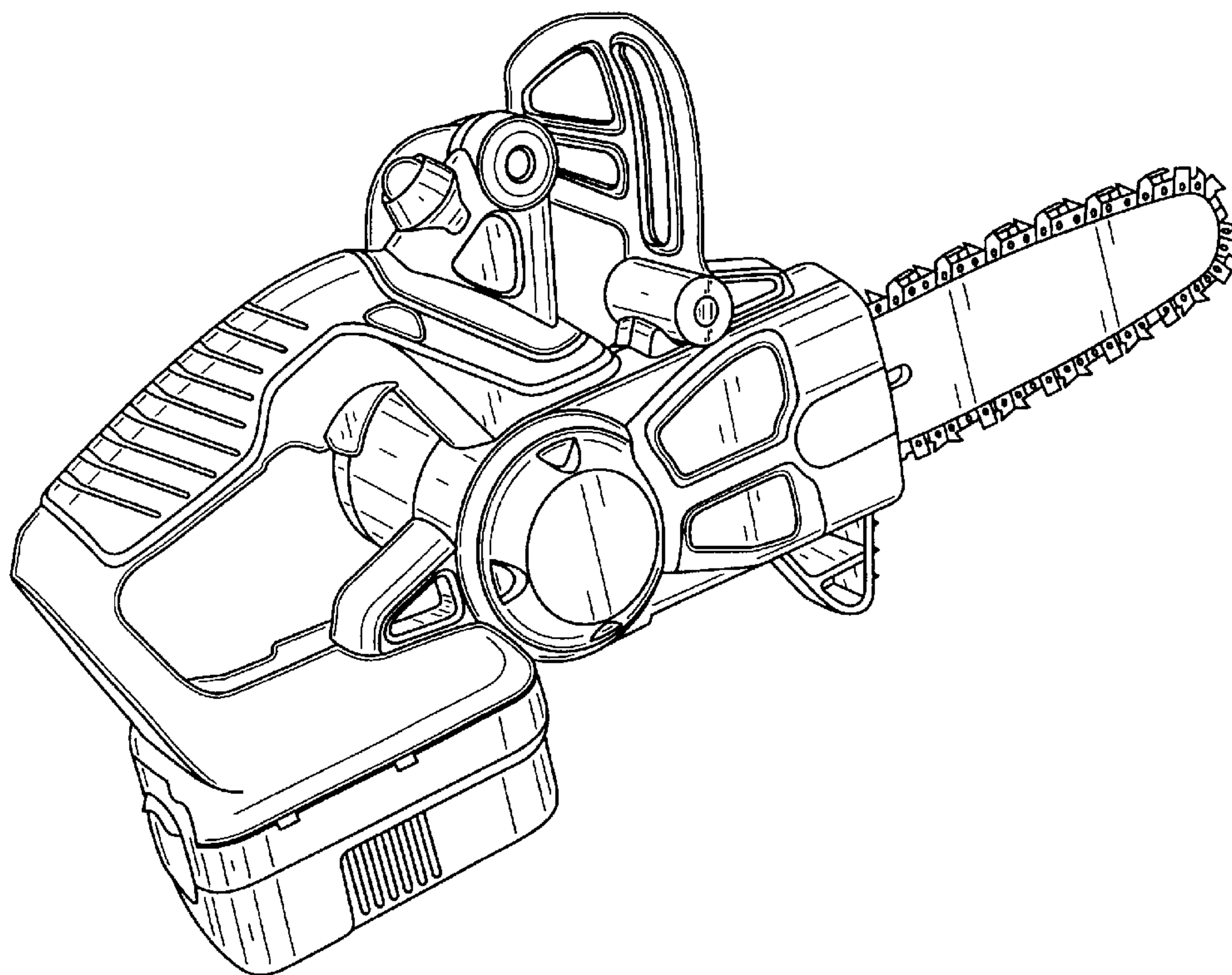
FIG. 5 is a right side view of the cordless chain saw according to FIG. 1.

FIG. 6 is a left side view of the cordless chain saw according to FIG. 1.

FIG. 7 is a top view of the cordless chain saw according to FIG. 1; and,

FIG. 8 is a bottom view of the cordless chain saw according to FIG. 1.

**1 Claim, 7 Drawing Sheets**



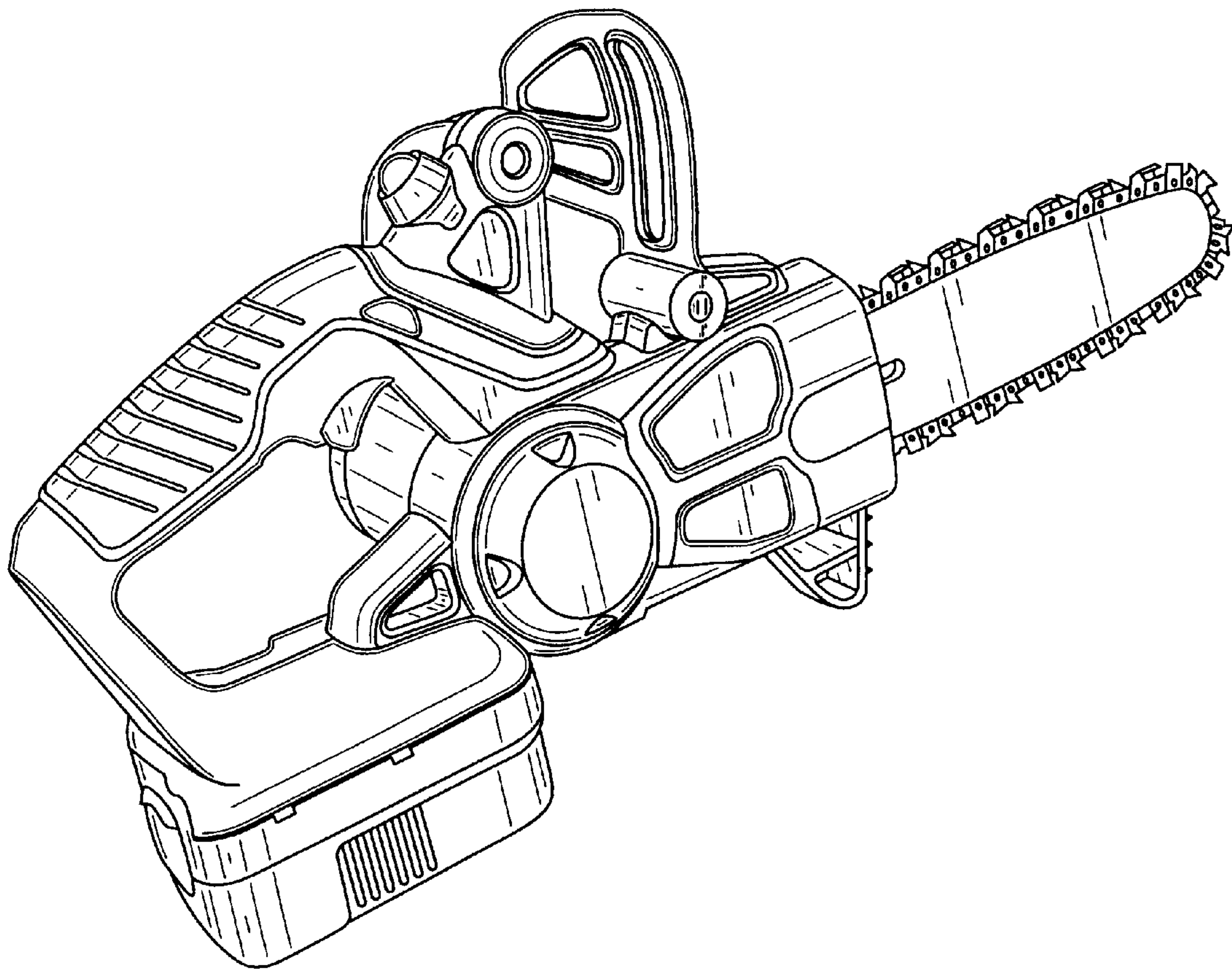


FIG. 1

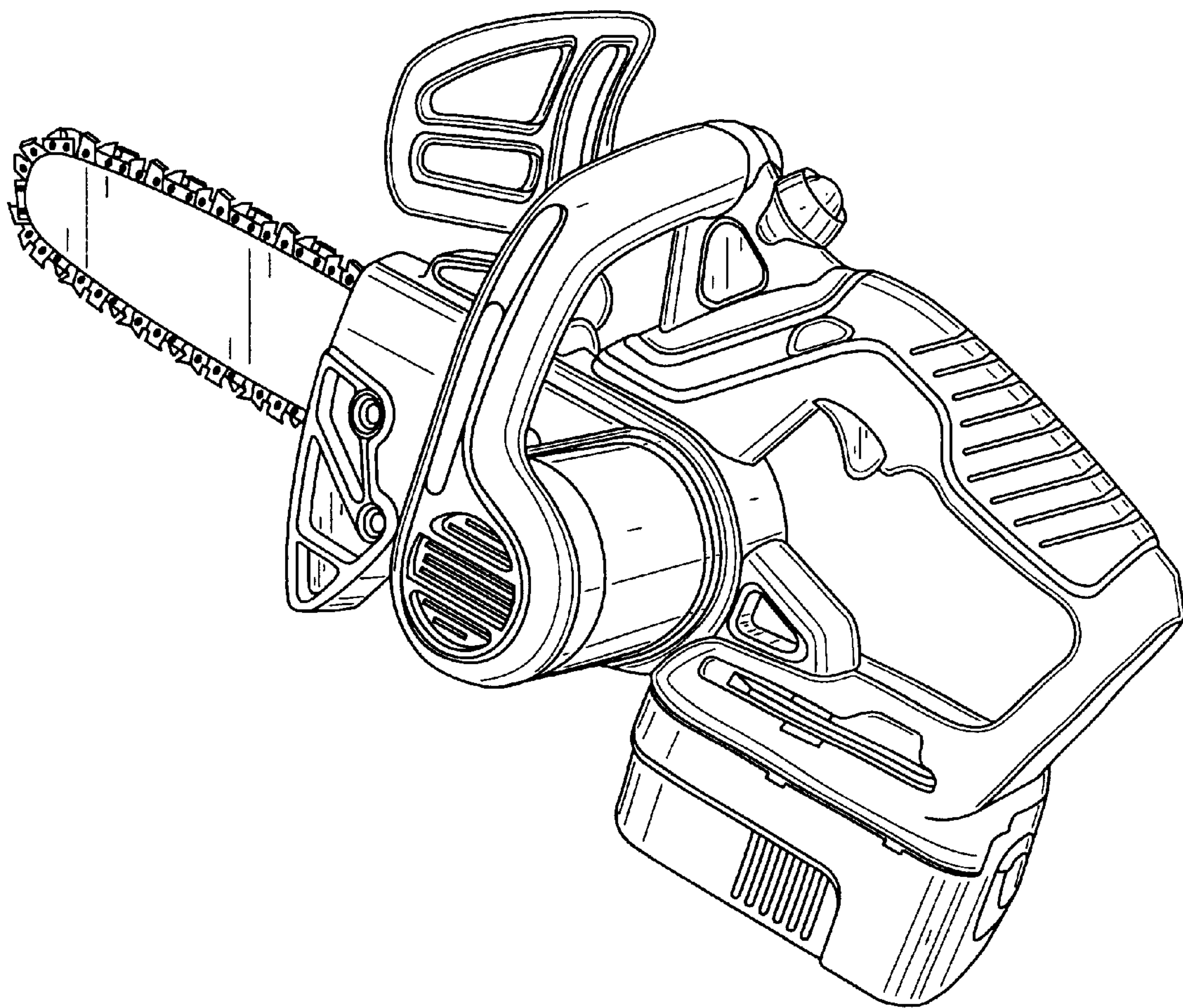


FIG. 2



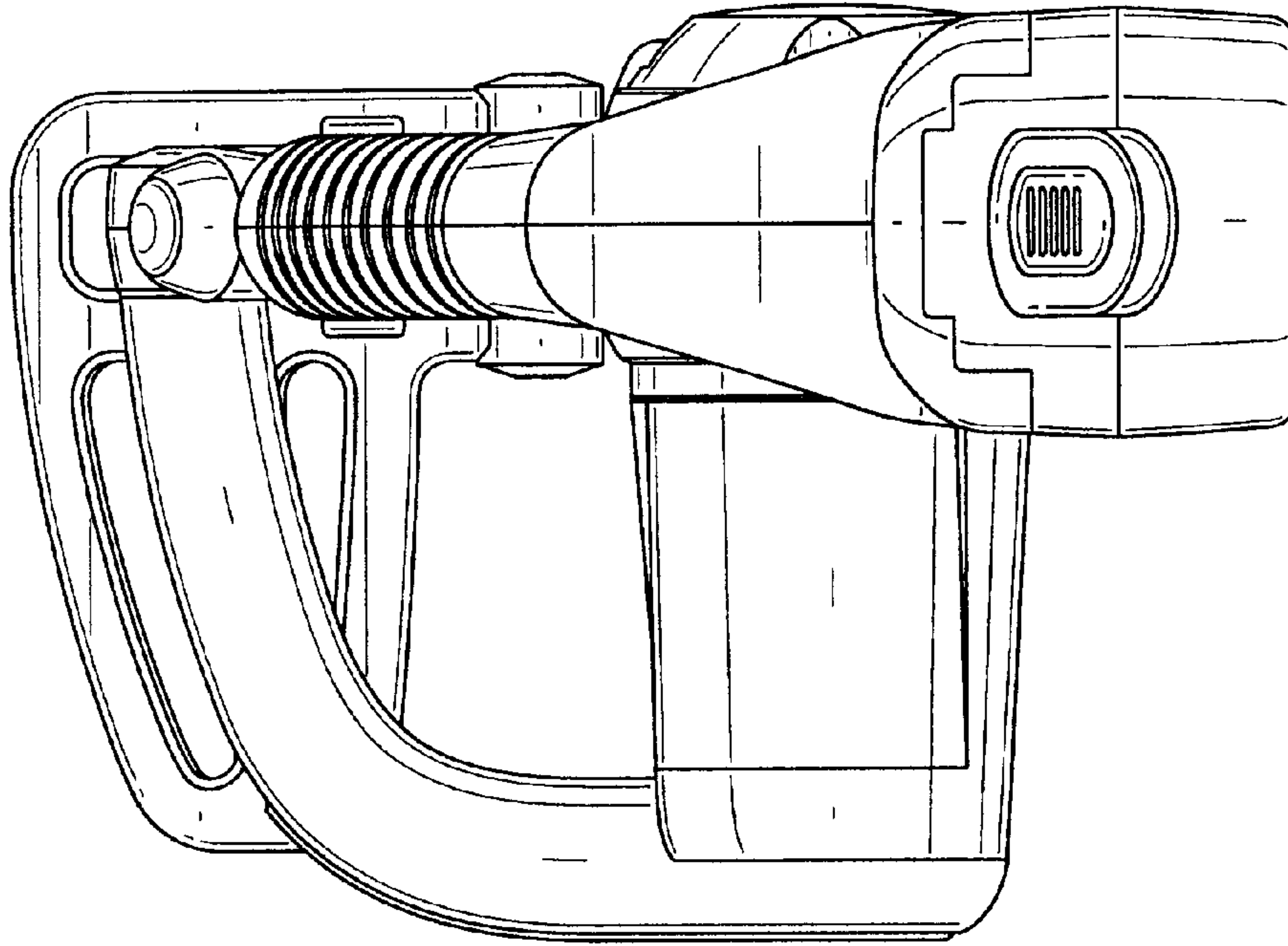


FIG. 4

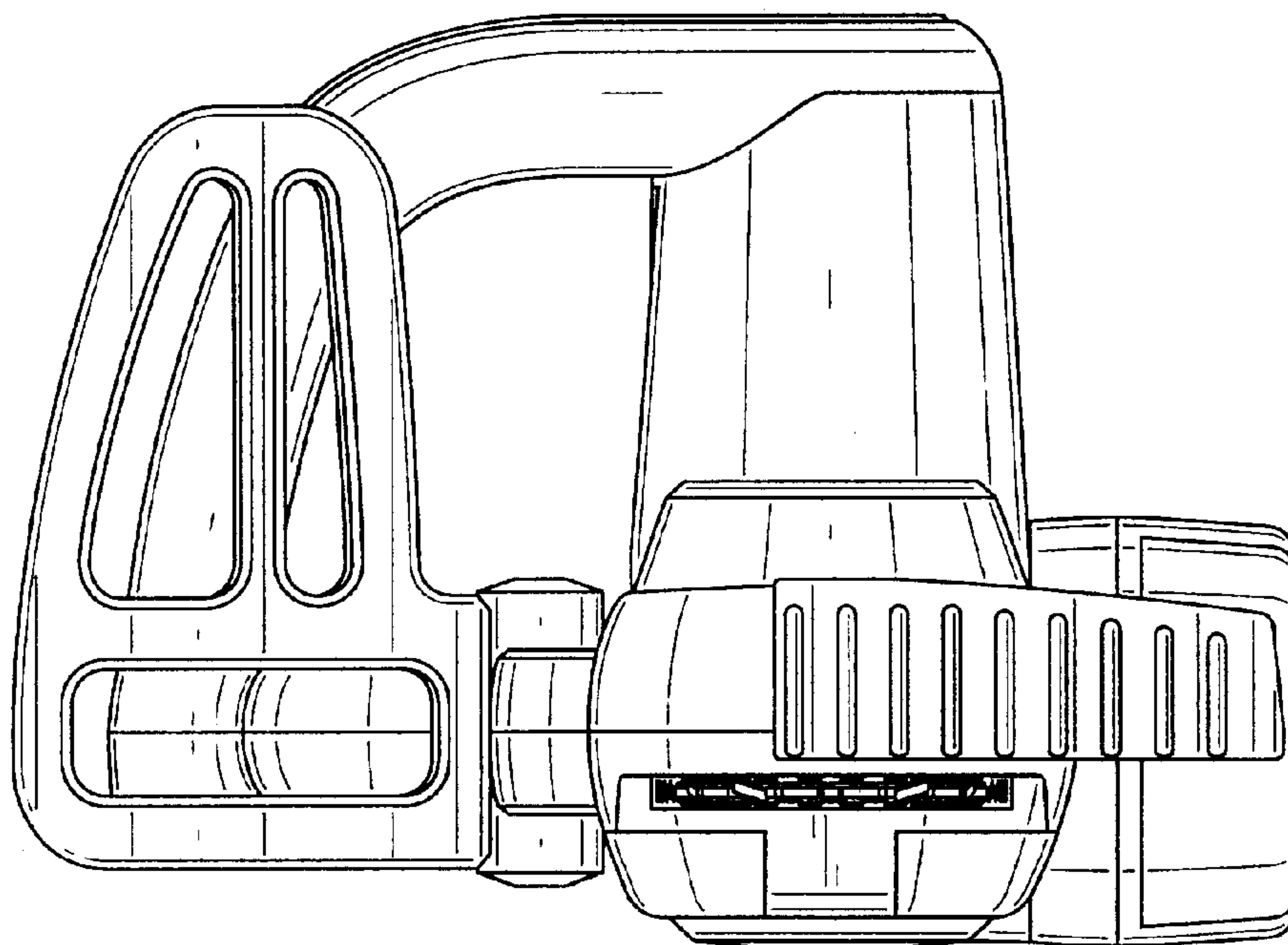


FIG. 3

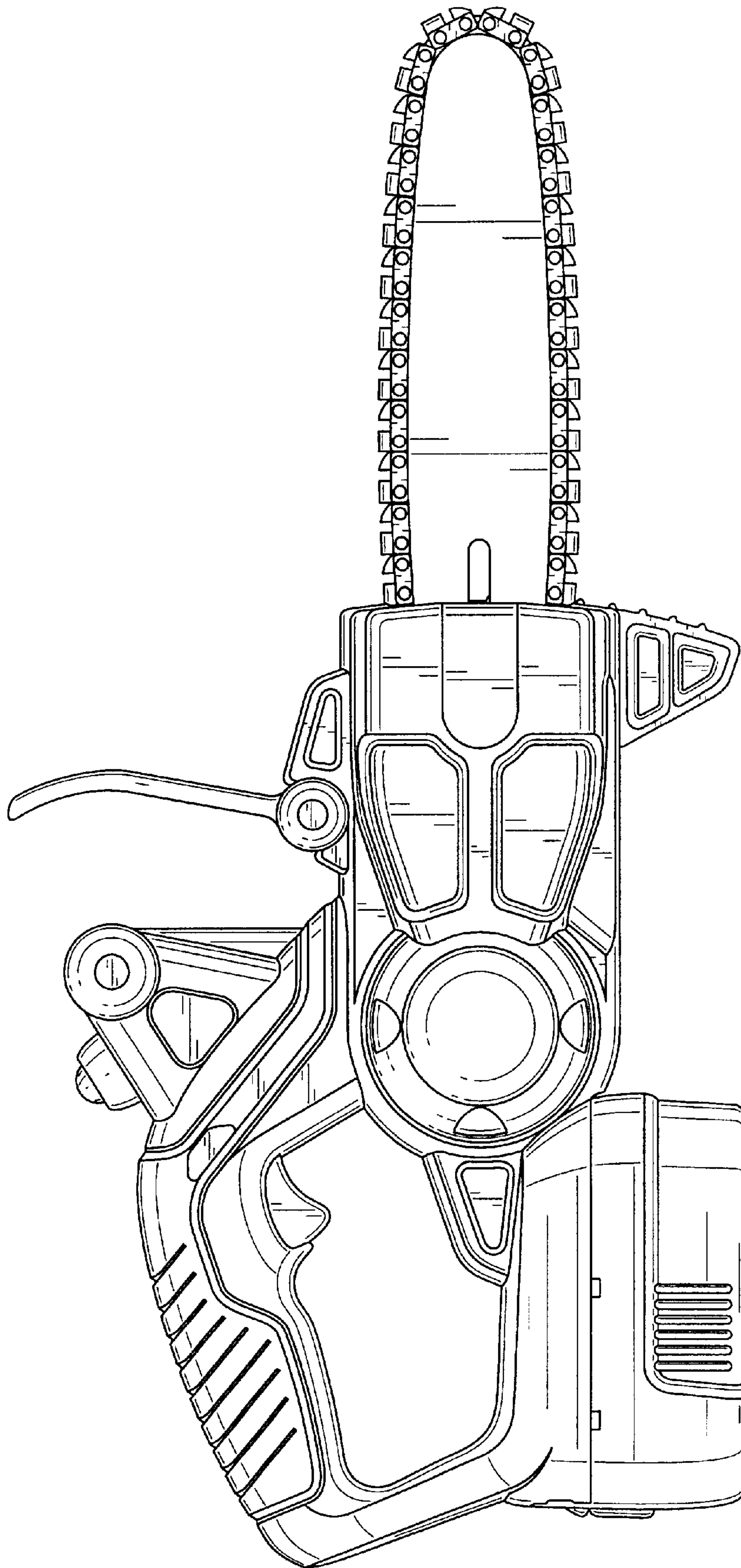


FIG. 5

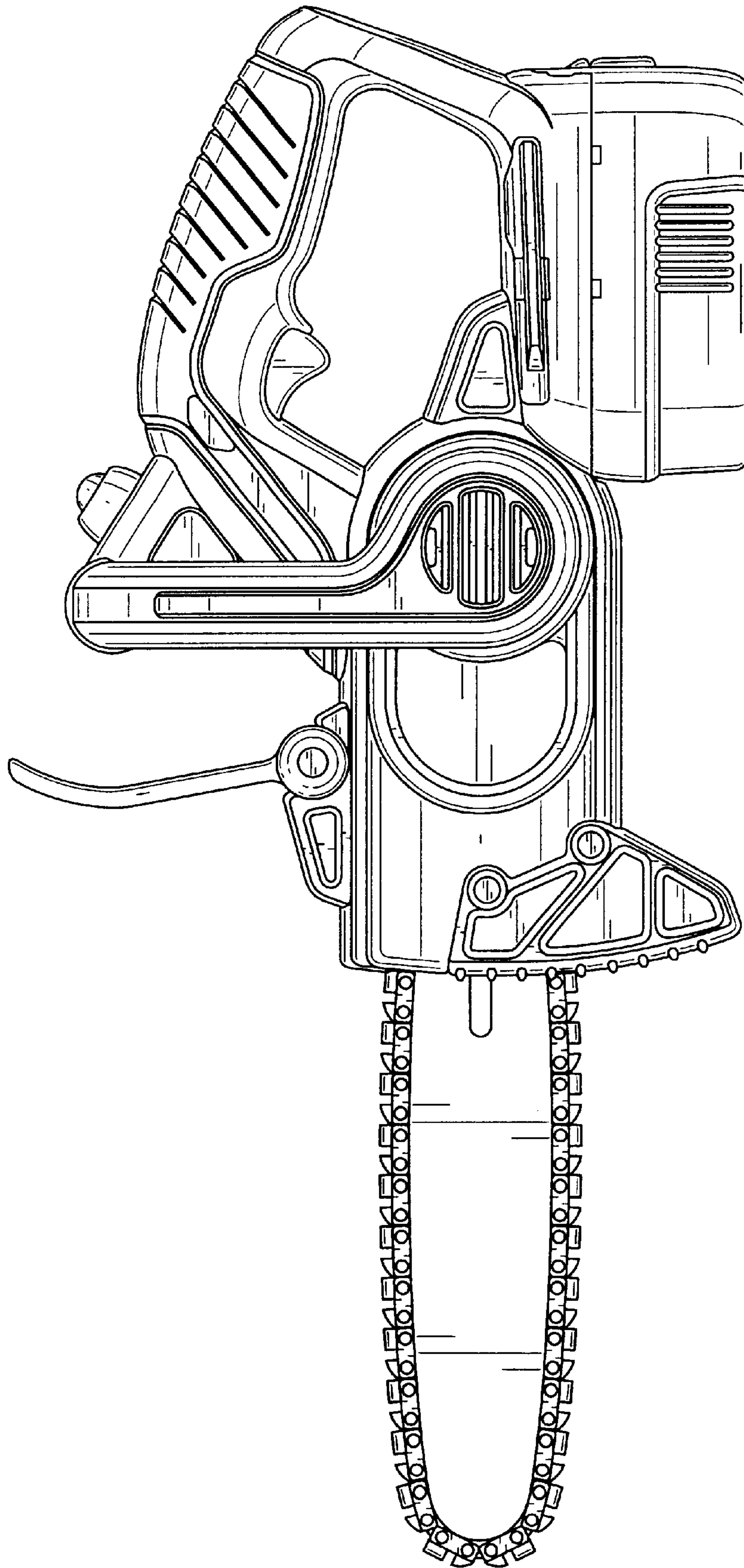


FIG. 6

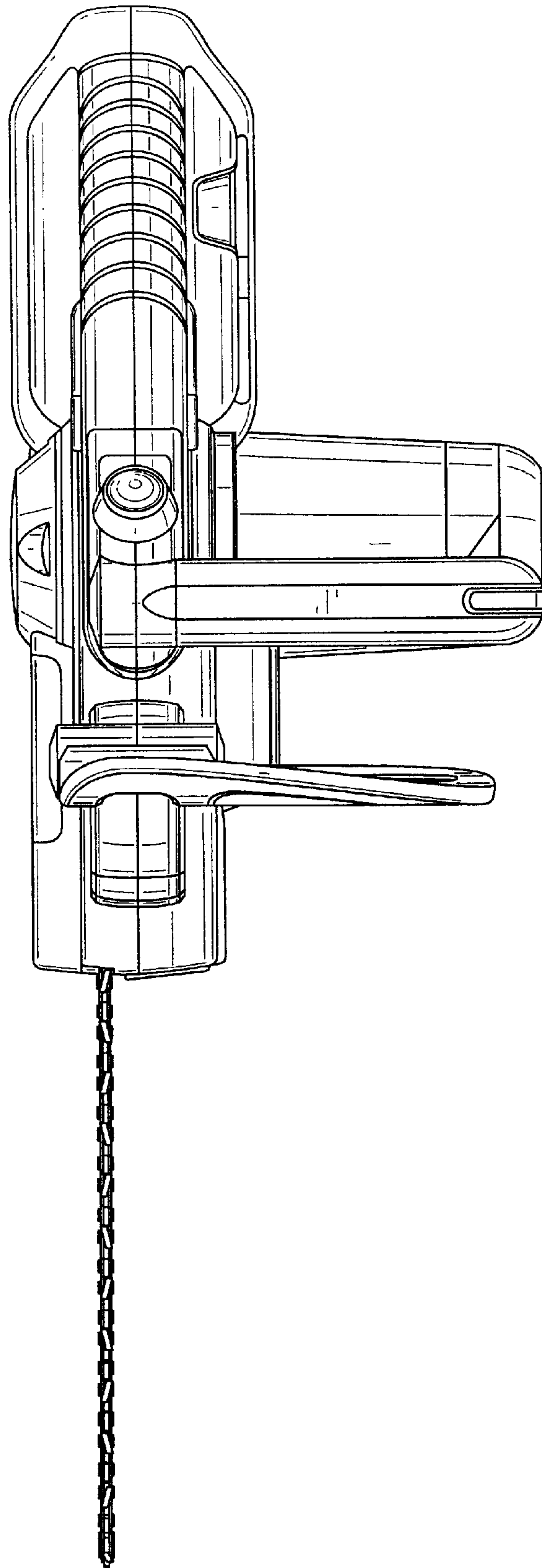


FIG. 7

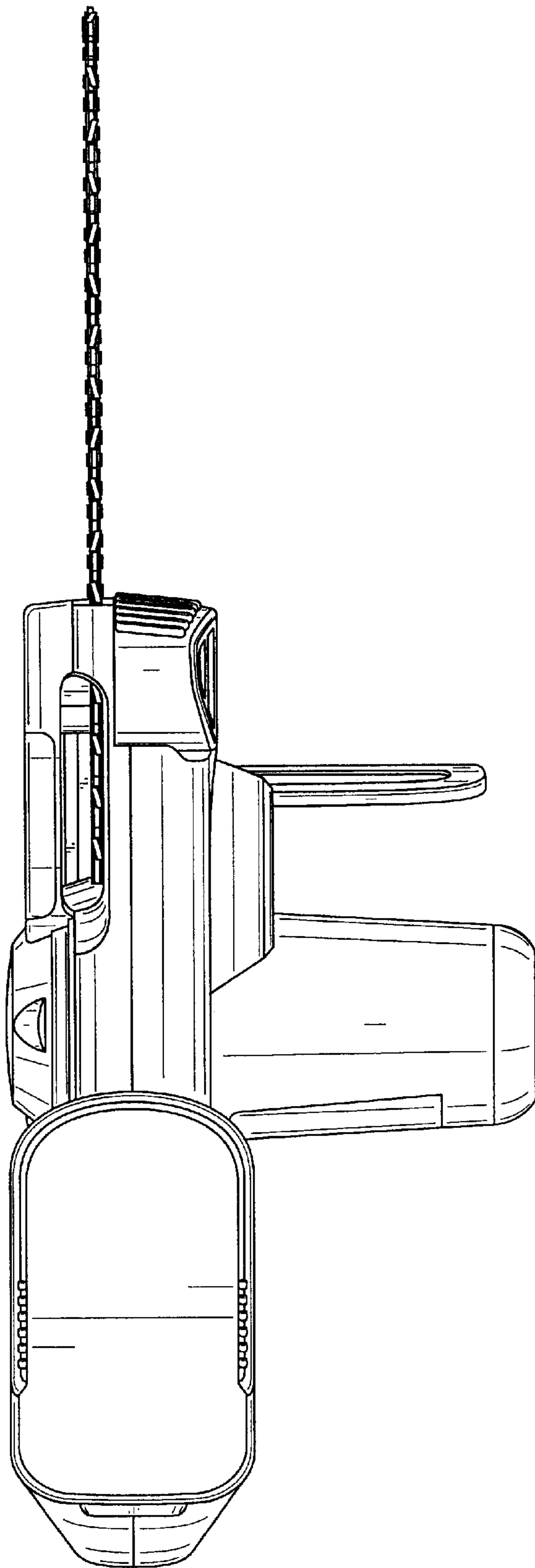


FIG. 8