



US00D536584S

(12) **United States Design Patent**
Petty

(10) **Patent No.:** **US D536,584 S**

(45) **Date of Patent:** **** Feb. 13, 2007**

(54) **RAISED BED GARDEN SYSTEM**

Primary Examiner—Holly H. Baynham

(76) **Inventor:** **Eric Hayes Petty**, 6436 Edgeware St.,
Fort Collins, CO (US) 80525-4100

(57) **CLAIM**

I claim the ornamental design for a raised bed garden system, as shown and described.

(**) **Term:** **14 Years**

DESCRIPTION

(21) **Appl. No.:** **29/226,338**

This invention relates to devices for holding soil or other growing medium, in which plants may be grown.

(22) **Filed:** **Mar. 28, 2005**

FIG. 1 is a perspective view of a first embodiment of the raised bed garden system showing my new design;

(51) **LOC (8) Cl.** **08-01**

(52) **U.S. Cl.** **D8/1**

FIG. 2 is a perspective view of the rail of the raised bed garden system showing the female end;

(58) **Field of Classification Search** D8/1;

D25/113; 52/585.1; 47/33

FIG. 3 is a perspective view of the rail from the male end;

See application file for complete search history.

FIG. 4 is a side view of the pin element of the raised bed garden system;

(56) **References Cited**

U.S. PATENT DOCUMENTS

FIG. 5 is a perspective view of a second embodiment of the design shown in FIG. 1;

3,396,488 A * 8/1968 Ries 47/33

3,545,128 A * 12/1970 La Fontaine et al. 47/33

FIG. 6 is another perspective view showing the corner joint;

4,869,018 A * 9/1989 Scales et al. 47/33

FIG. 7 is an enlarged, fragmentary view of the joint as shown in the view of FIG. 5;

4,905,409 A * 3/1990 Cole 47/33

FIG. 8 is a perspective view of a third embodiment of the design shown in FIG. 1; and,

4,986,042 A * 1/1991 Richardt 52/102

FIG. 9 is another perspective view showing the corner joint. The elements are shown separately for ease and clarity of illustration.

D340,169 S * 10/1993 Scott et al. D8/1

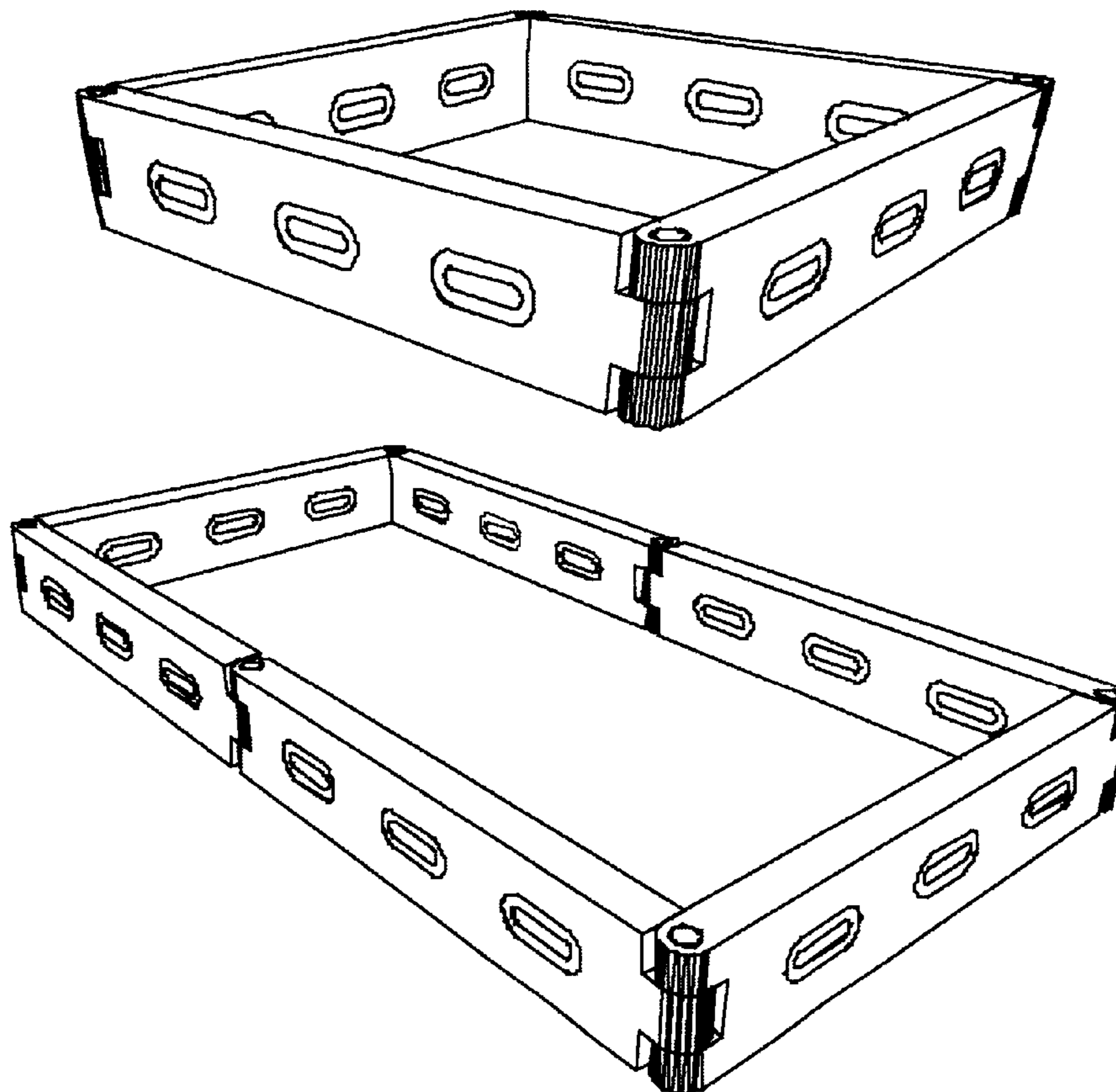
D343,509 S * 1/1994 Scott et al. D8/1

D346,726 S * 5/1994 Scott et al. D8/1

D371,446 S * 7/1996 VanDeusen D25/113

* cited by examiner

1 Claim, 3 Drawing Sheets



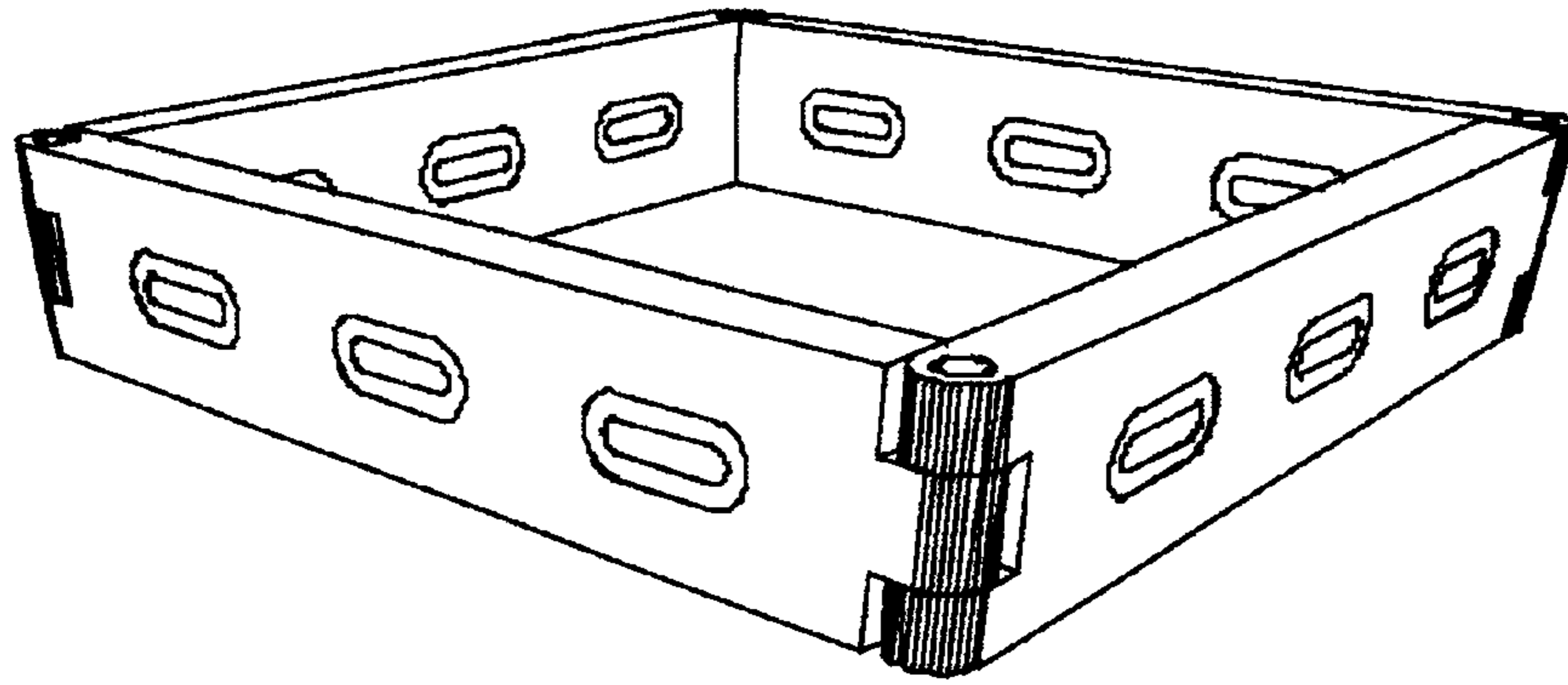


FIG. 1

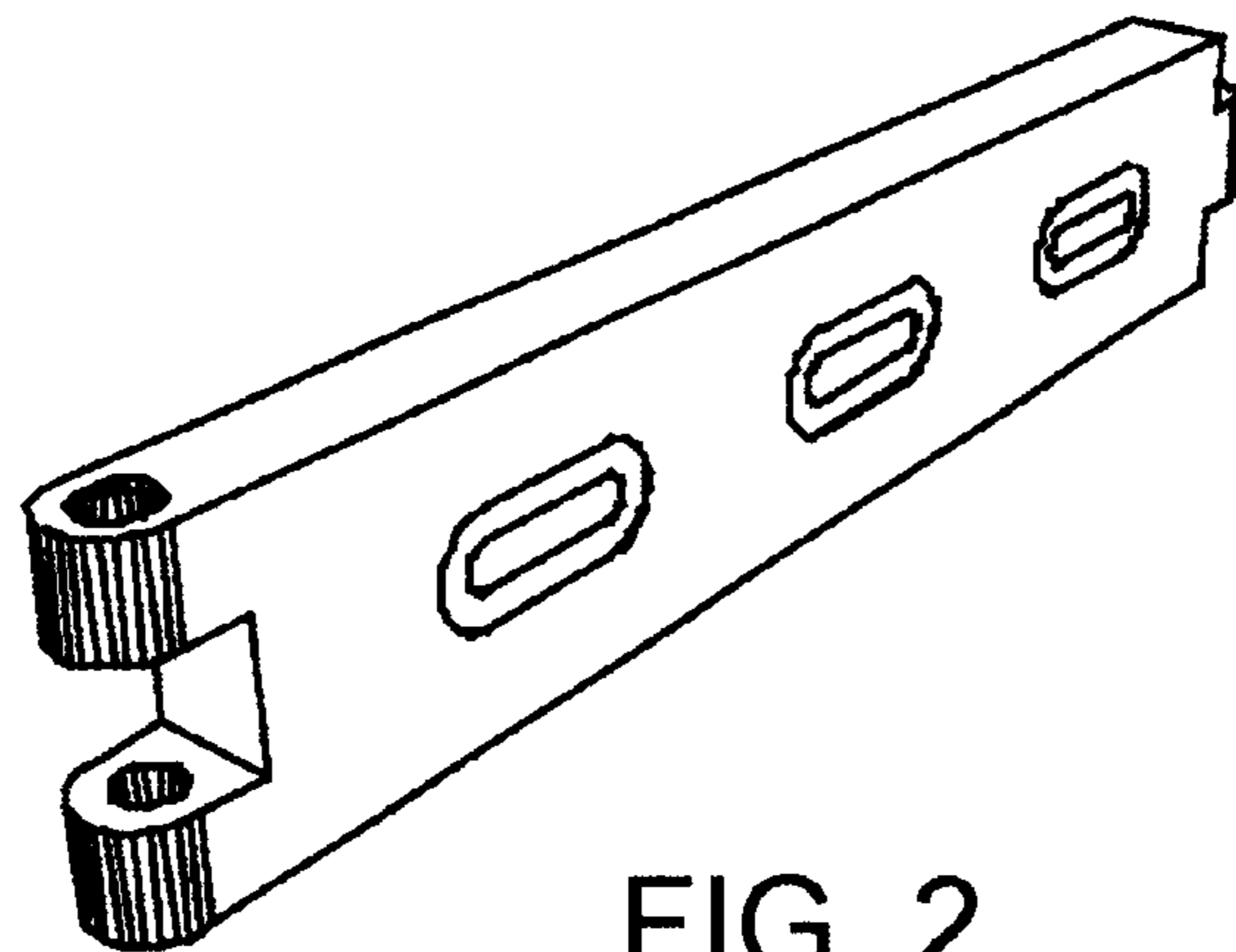


FIG. 2

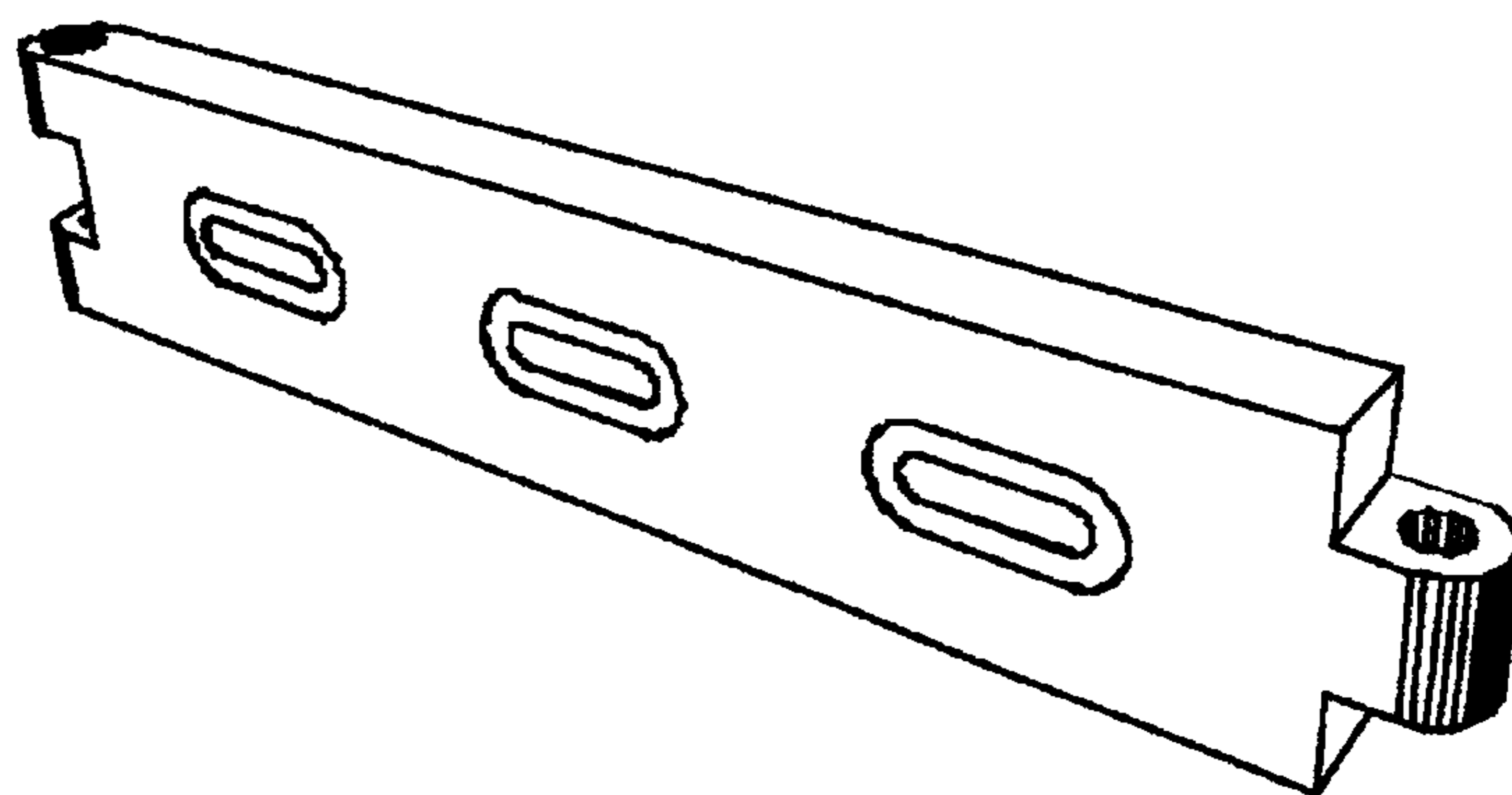


FIG. 3

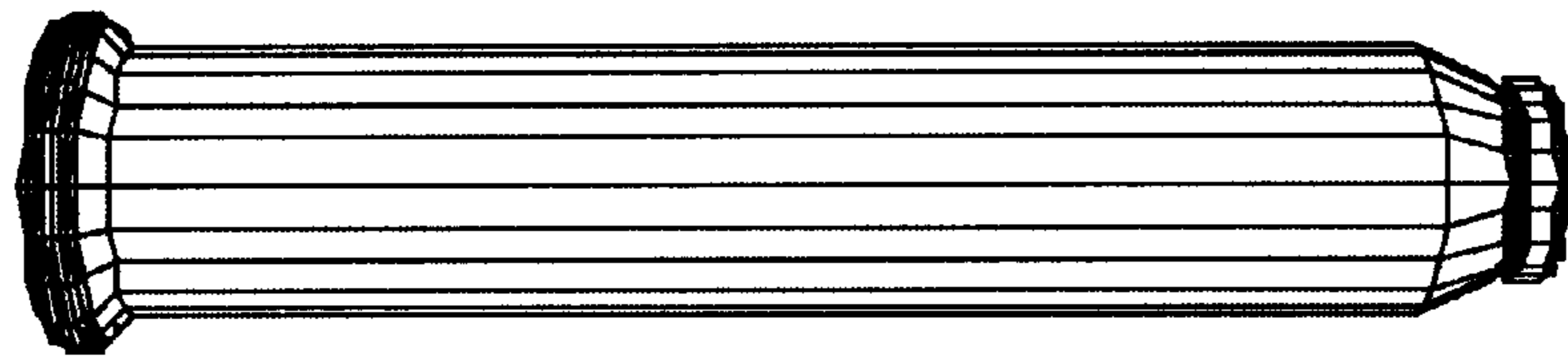


FIG. 4

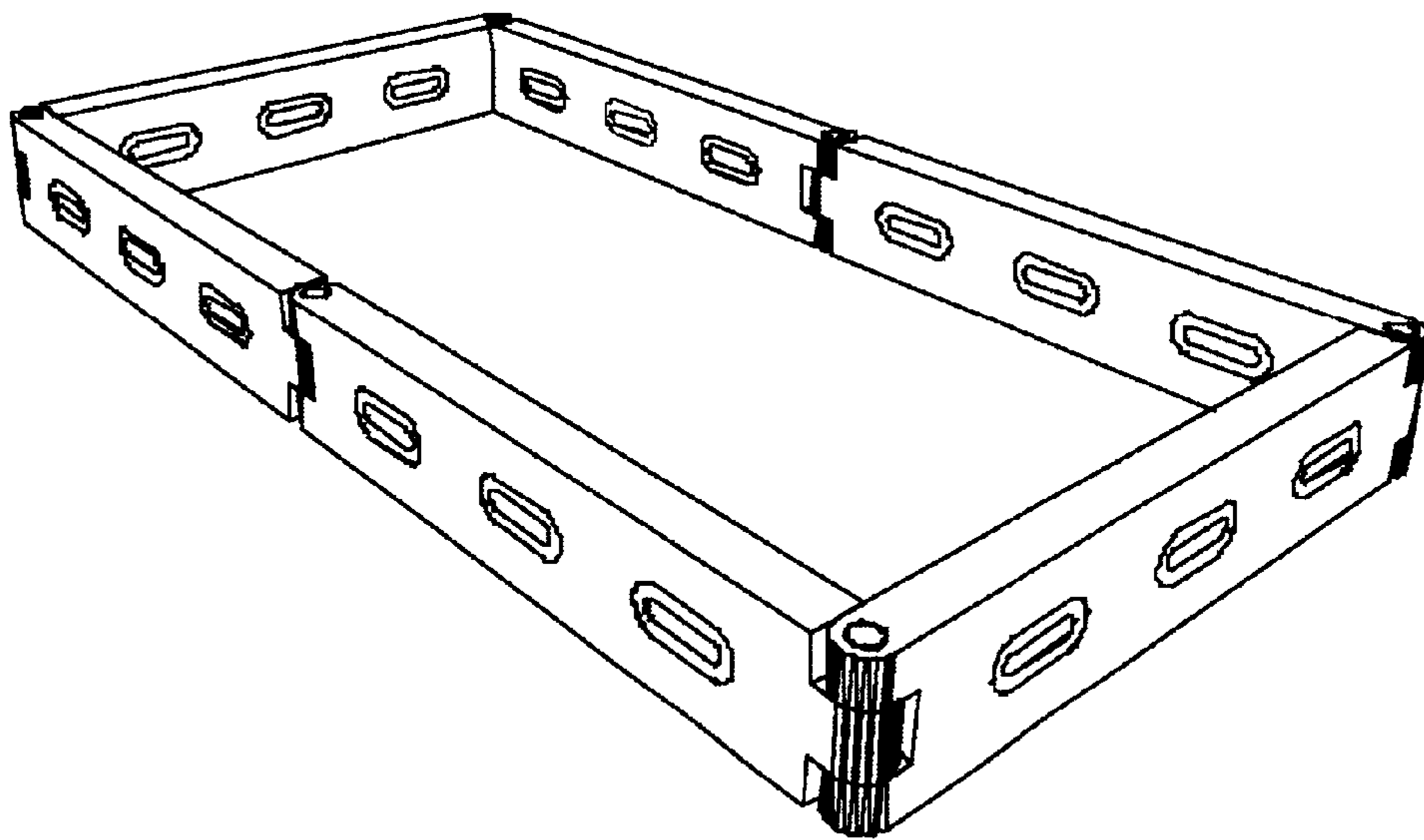


FIG. 5

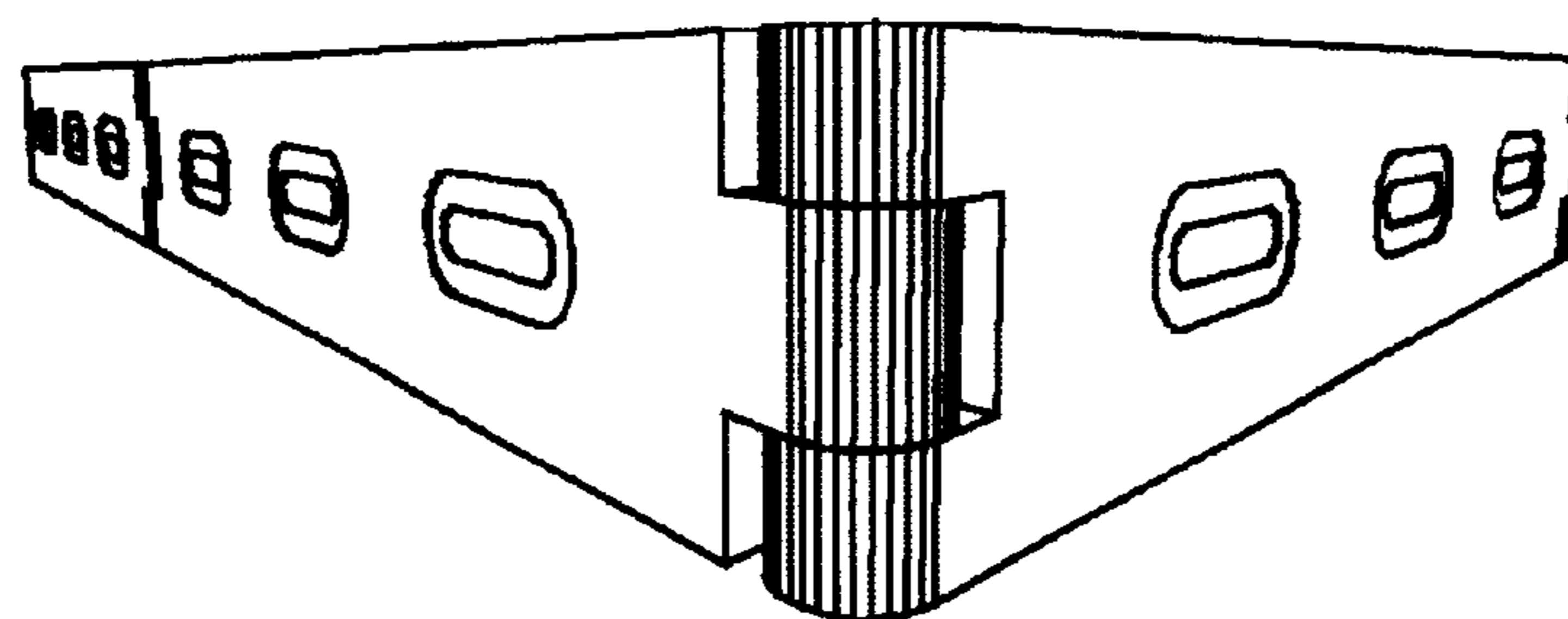


FIG. 6

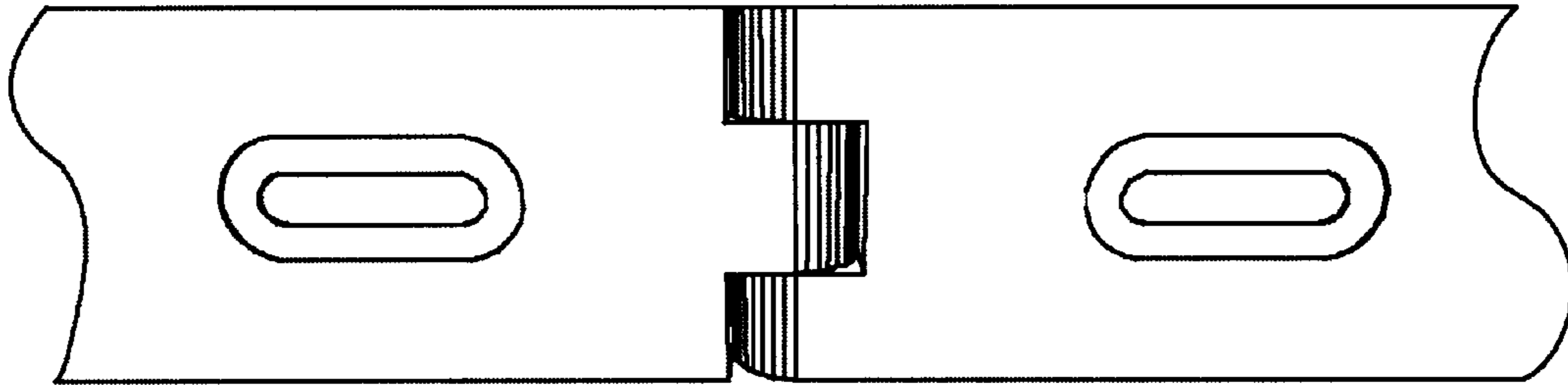


FIG. 7

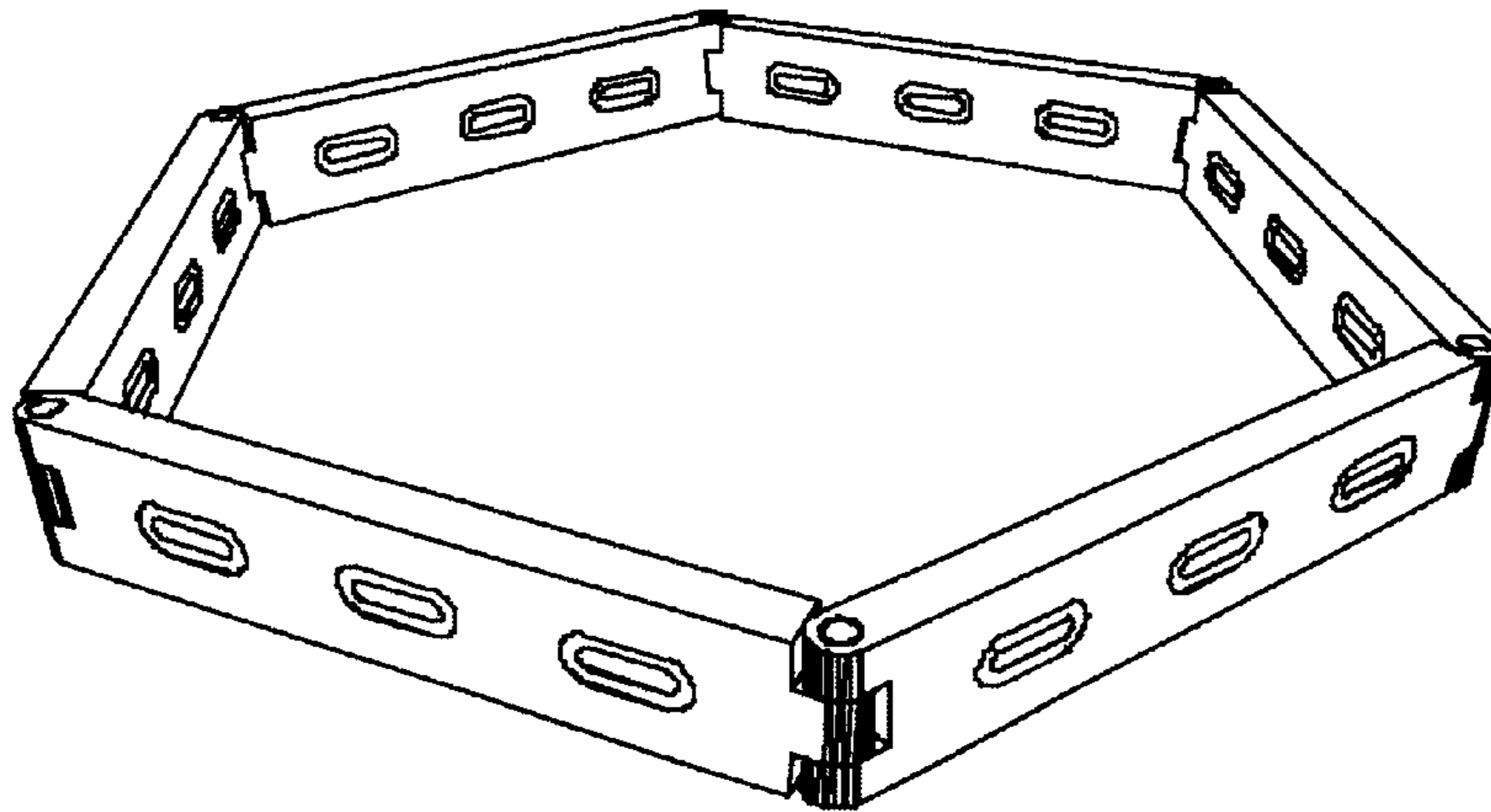


FIG. 8

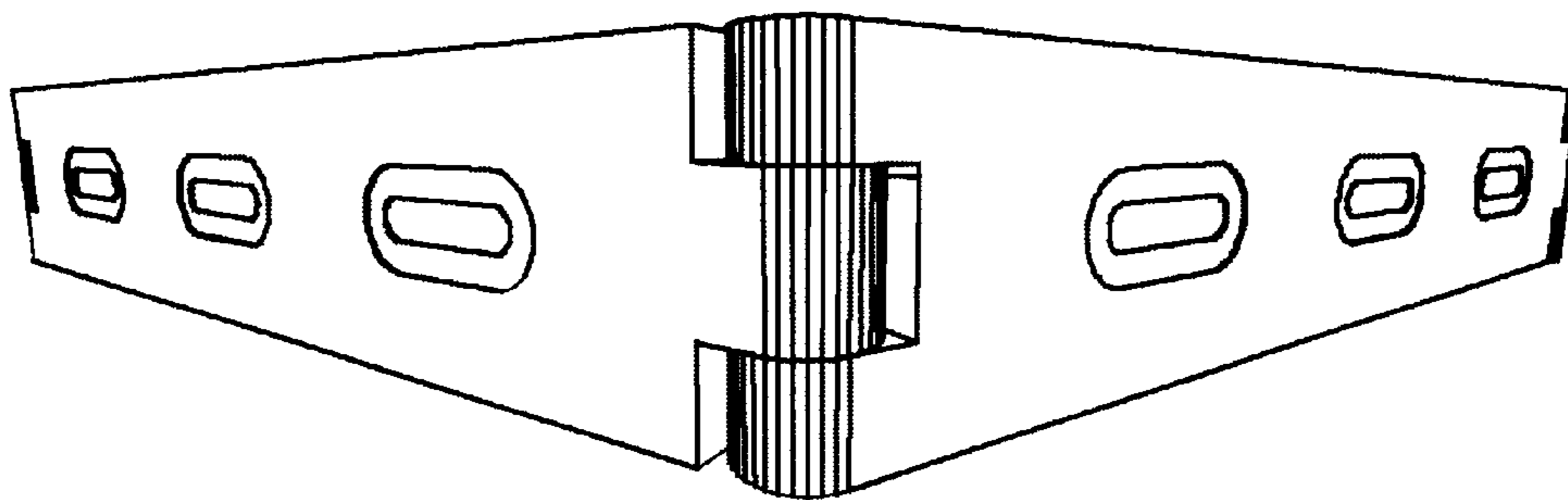


FIG. 9