



US00D536583S

(12) **United States Design Patent**
Bodum

(10) **Patent No.:** **US D536,583 S**
(45) **Date of Patent:** **** Feb. 13, 2007**

(54) **SALAD SERVER SPOON**
(75) Inventor: **Jørgen Bodum**, St. Niklausen (CH)
(73) Assignee: **Pi-Design AG**, Triengen (CH)
(**) Term: **14 Years**

D396,614 S * 8/1998 Cousins D7/688
5,839,197 A * 11/1998 Durst 30/353
D402,167 S * 12/1998 Durbin D7/692
D446,091 S * 8/2001 Short D7/688
D498,990 S * 11/2004 White et al. D7/692
D523,299 S * 6/2006 Johnson D7/653
D525,087 S * 7/2006 Vaishnav D7/643

* cited by examiner

(21) Appl. No.: **29/245,792**
(22) Filed: **Dec. 29, 2005**
(30) **Foreign Application Priority Data**

Primary Examiner—Cathron C. Brooks
Assistant Examiner—Ricky Pham
(74) *Attorney, Agent, or Firm*—Cowan, Liebowits & Latman, P.C.

Jun. 30, 2005 (DK) DA 2005 00190

(51) **LOC (8) Cl.** **07-03**
(52) **U.S. Cl.** **D7/653**
(58) **Field of Classification Search** D7/368,
D7/401.2, 642–664, 688–692, 669, 675, 676,
D7/683; 30/137, 141, 142, 340, 147–150,
30/322–329, 342–345; 416/70 R
See application file for complete search history.

(57) **CLAIM**

The ornamental design for a salad server spoon, as shown and described.

(56) **References Cited**

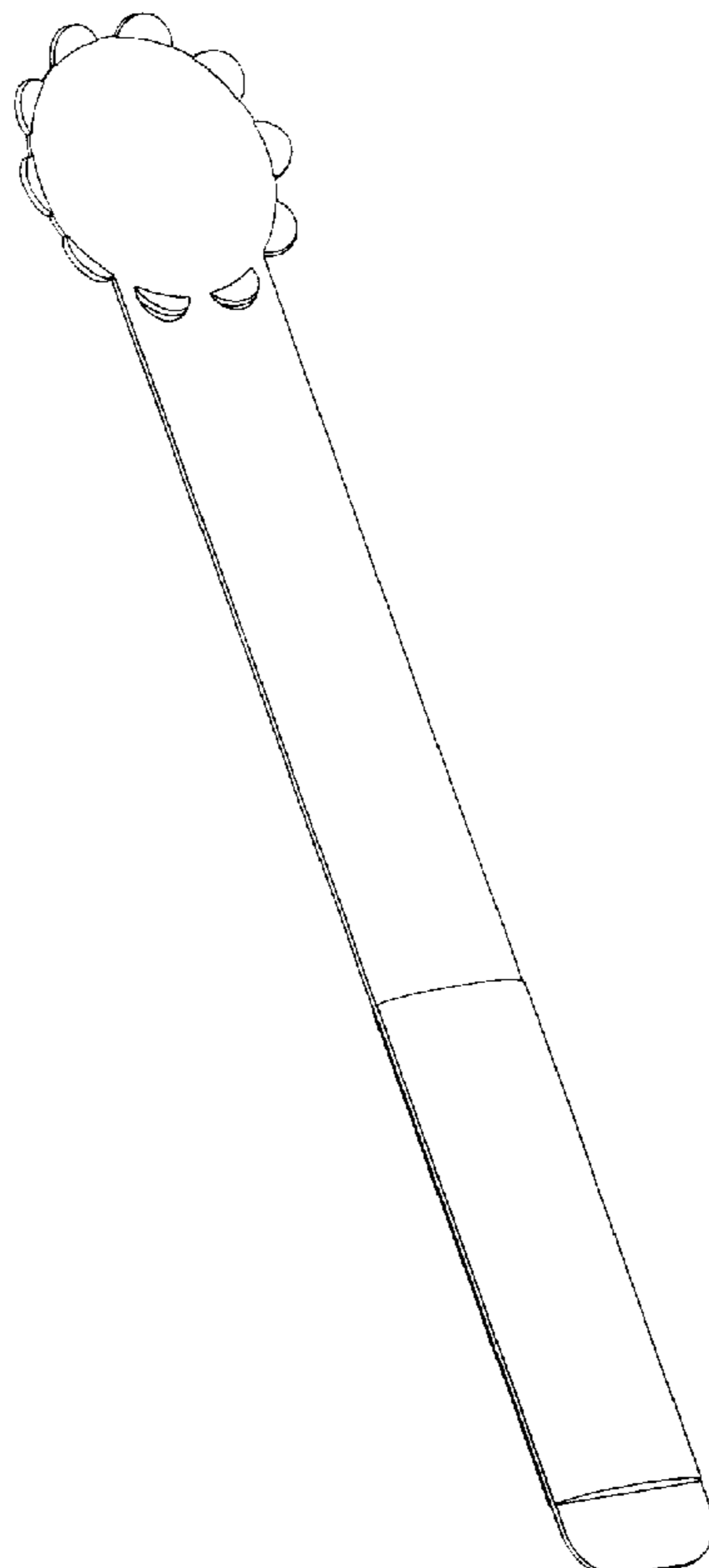
DESCRIPTION

U.S. PATENT DOCUMENTS

D263,442 S * 3/1982 Morin D7/645
4,538,631 A * 9/1985 Prince 132/308
4,638,521 A * 1/1987 Potente et al. 15/117
D298,654 S * 11/1988 Hendricks D24/133
D345,796 S * 4/1994 Pernicka D24/150
D376,849 S * 12/1996 Tarfare et al. D24/152

FIG. 1 is a perspective view of a salad server spoon showing my new design;
FIG. 2 is a front view thereof;
FIG. 3 is a rear view thereof;
FIG. 4 is a left side view thereof;
FIG. 5 is a right side view thereof;
FIG. 6 is a top view thereof;
FIG. 7 is a bottom view thereof; and,
FIG. 8 is a cross-sectional view taken through line 8—8 of FIG. 2.

1 Claim, 8 Drawing Sheets



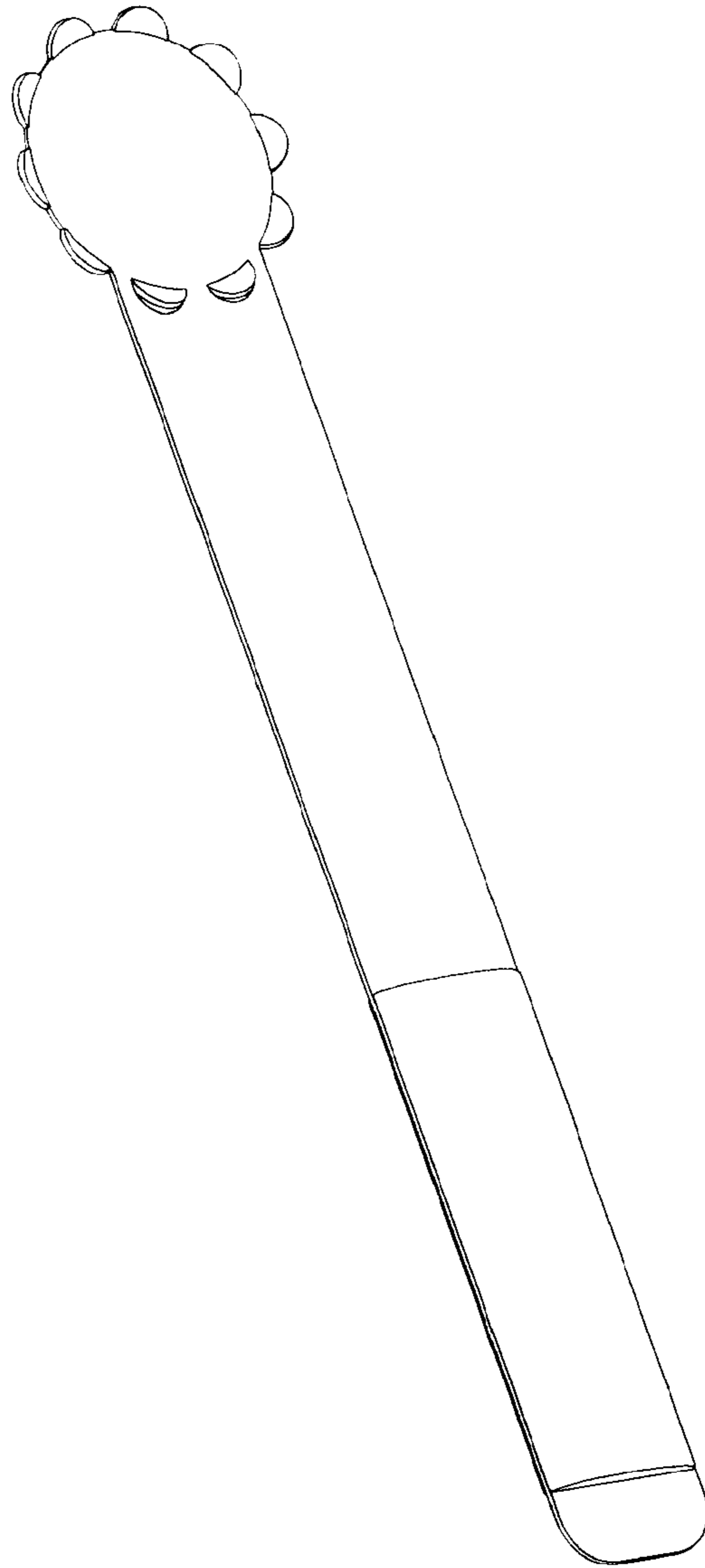


FIG. 1

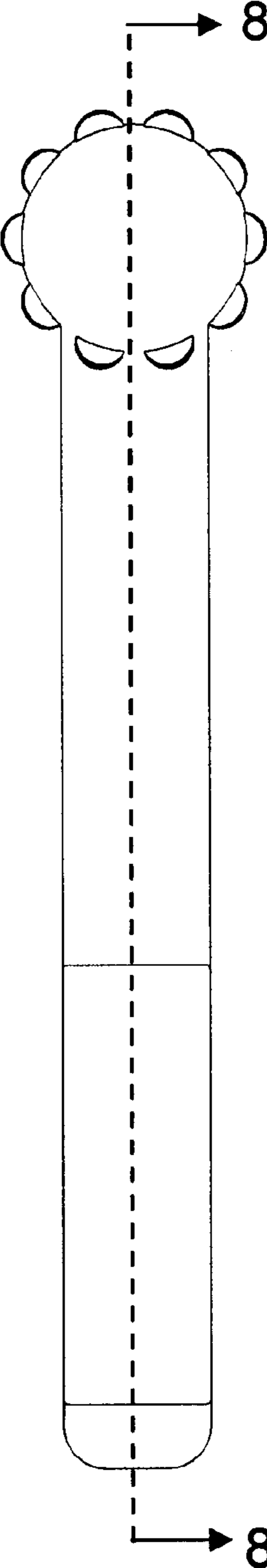


FIG. 2

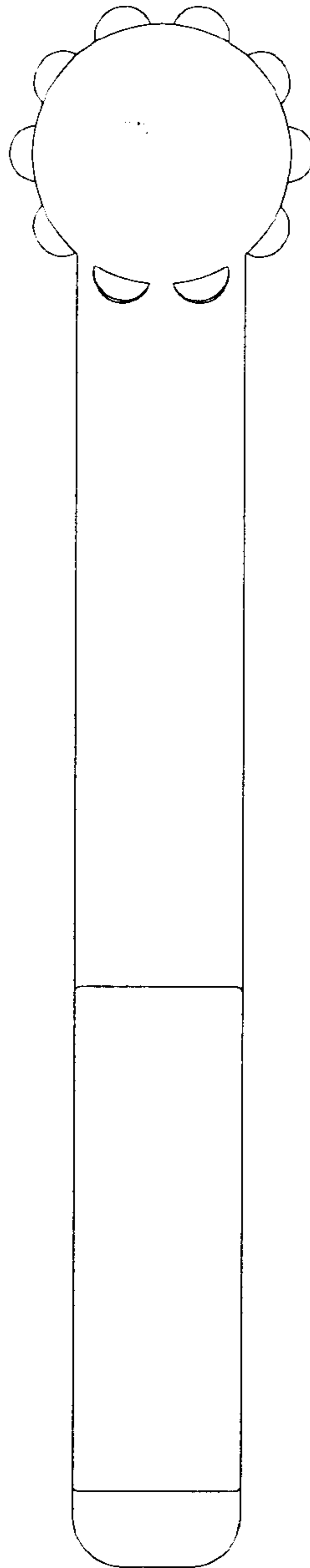


FIG. 3

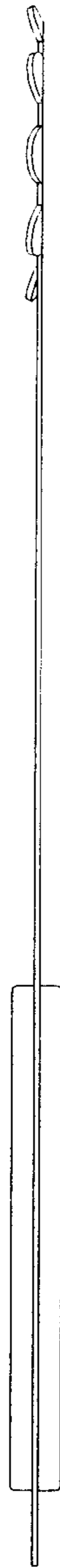


FIG. 4



FIG. 5



FIG. 6

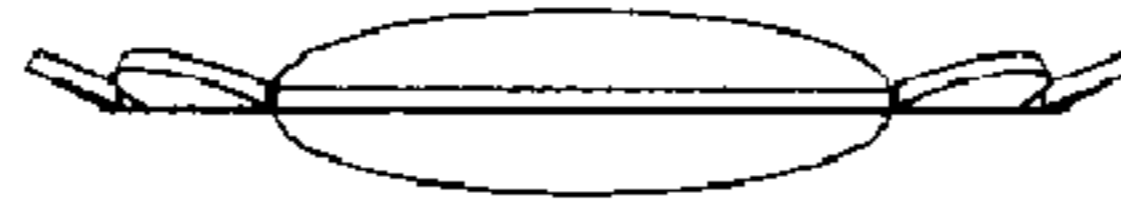


FIG. 7

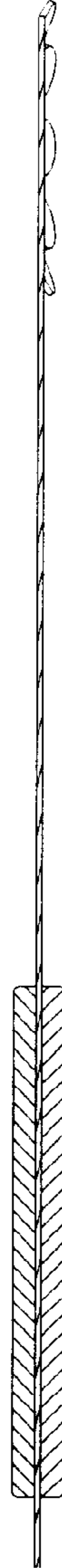


FIG. 8