



US00D536582S

(12) **United States Design Patent**
Roth et al.

(10) **Patent No.:** **US D536,582 S**
(45) **Date of Patent:** **** Feb. 13, 2007**

(54) **COMBINED TWO COMPARTMENT FOOD AND BEVERAGE CONTAINER**

D473,788 S * 4/2003 Chen et al. D9/428
D474,110 S * 5/2003 Sweeney D9/428
D479,991 S * 9/2003 Bezek et al. D9/428

(76) Inventors: **Donna Roth**, 10 Cordage Park Cir.,
Suite 212, Plymouth, MA (US) 02360;
Henry Roth, 10 Cordage Park Cir.,
Suite 212, Plymouth, MA (US) 02360

* cited by examiner

Primary Examiner—Terry A. Wallace
(74) *Attorney, Agent, or Firm*—Garcia-Zamor IP Law; Ruy M. Garcia-Zamor

(**) **Term:** **14 Years**

(21) **Appl. No.:** **29/223,072**

(22) **Filed:** **Feb. 8, 2005**

(57) **CLAIM**

I claim the ornamental design for combined two compartment food and beverage container, as shown and described.

Related U.S. Application Data

DESCRIPTION

(63) Continuation-in-part of application No. 29/214,964, filed on Oct. 12, 2004.

(51) **LOC (8) Cl.** **07-01**

(52) **U.S. Cl.** **D7/629; D7/523; D9/428**

(58) **Field of Classification Search** D7/601,
D7/629, 612–615, 510, 523; D9/418, 337,
D9/424–429; D1/118; 215/381–384; 220/602,
220/662, 670, 675, 568, 780–805; 229/4.5,
229/400, 403, 404, 906.1

See application file for complete search history.

FIG. 1 is a perspective view of combined two compartment food and beverage container showing our new design;
FIG. 2 is a top plan view thereof;
FIG. 3 is a front view thereof, the rear view being a mirror image;
FIG. 4 is a left side view thereof, the right side view being a mirror image;
FIG. 5 is a bottom plan view thereof;
FIG. 6 is a perspective view of an alternate embodiment of FIG. 1;
FIG. 7 is a top plan view of FIG. 6;
FIG. 8 is a front view of FIG. 6, the rear view being a mirror image;
FIG. 9 is a left side view of FIG. 6, the right side being a mirror image; and,
FIG. 10 is a bottom plan view of FIG. 6.
The dashed lines in FIGS. 1–10 represent environment and are for illustrative purposes only and do not constitute part of the claimed design. The phantom lines in FIGS. 1–10 define the border between claimed and unclaimed matter.

(56) **References Cited**

U.S. PATENT DOCUMENTS

D239,920 S * 5/1976 Floren D9/428
4,163,517 A * 8/1979 Kappler et al. 229/4.5
D312,400 S * 11/1990 Schwaikert D9/424
D328,248 S * 7/1992 Ruff D9/418
D331,013 S * 11/1992 Hamamura D9/428
D400,397 S * 11/1998 Stephan D7/510
D453,107 S * 1/2002 Wyslowsky et al. D9/418
D455,652 S * 4/2002 Wyslowsky et al. D9/429

1 Claim, 4 Drawing Sheets

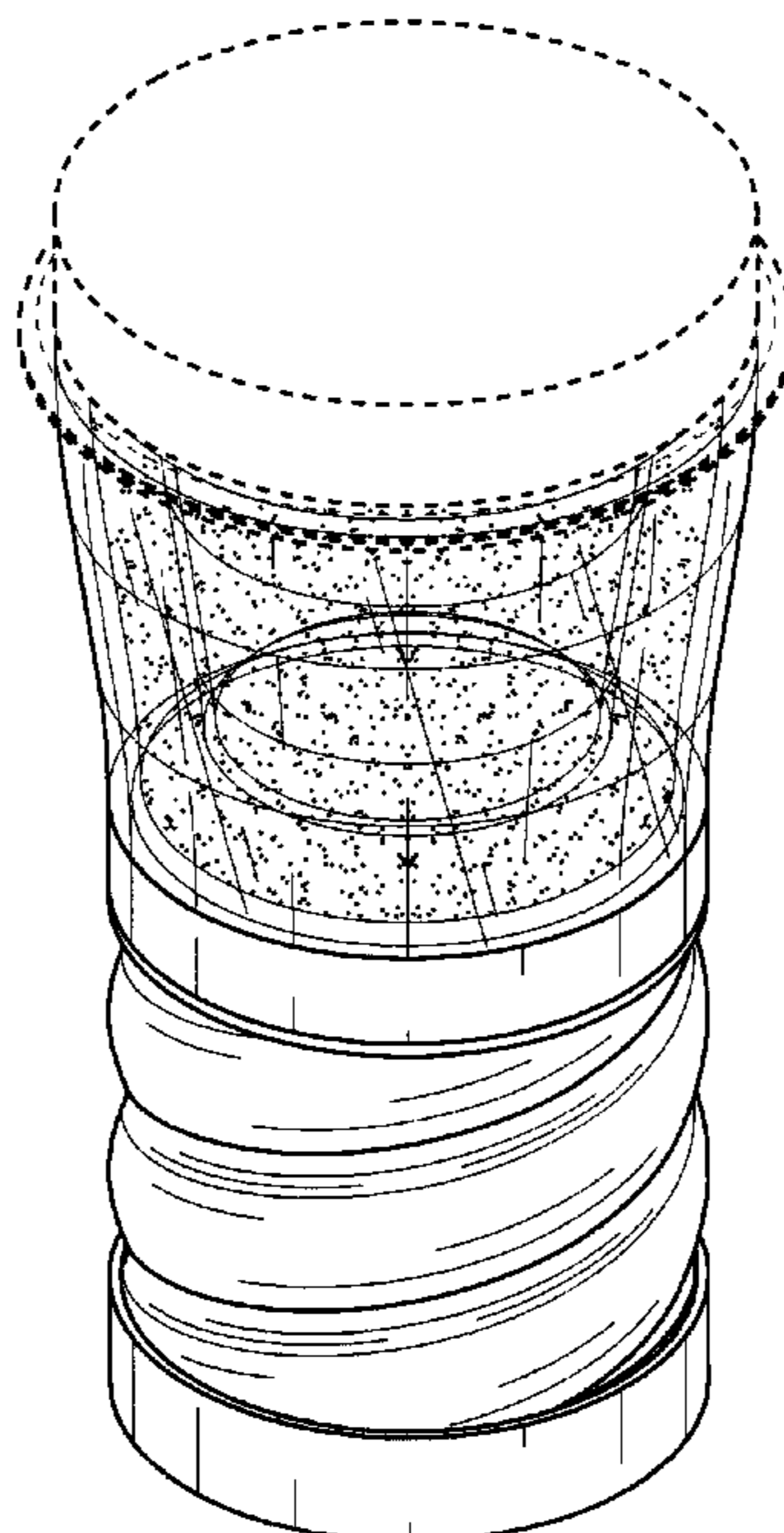


FIG. 1

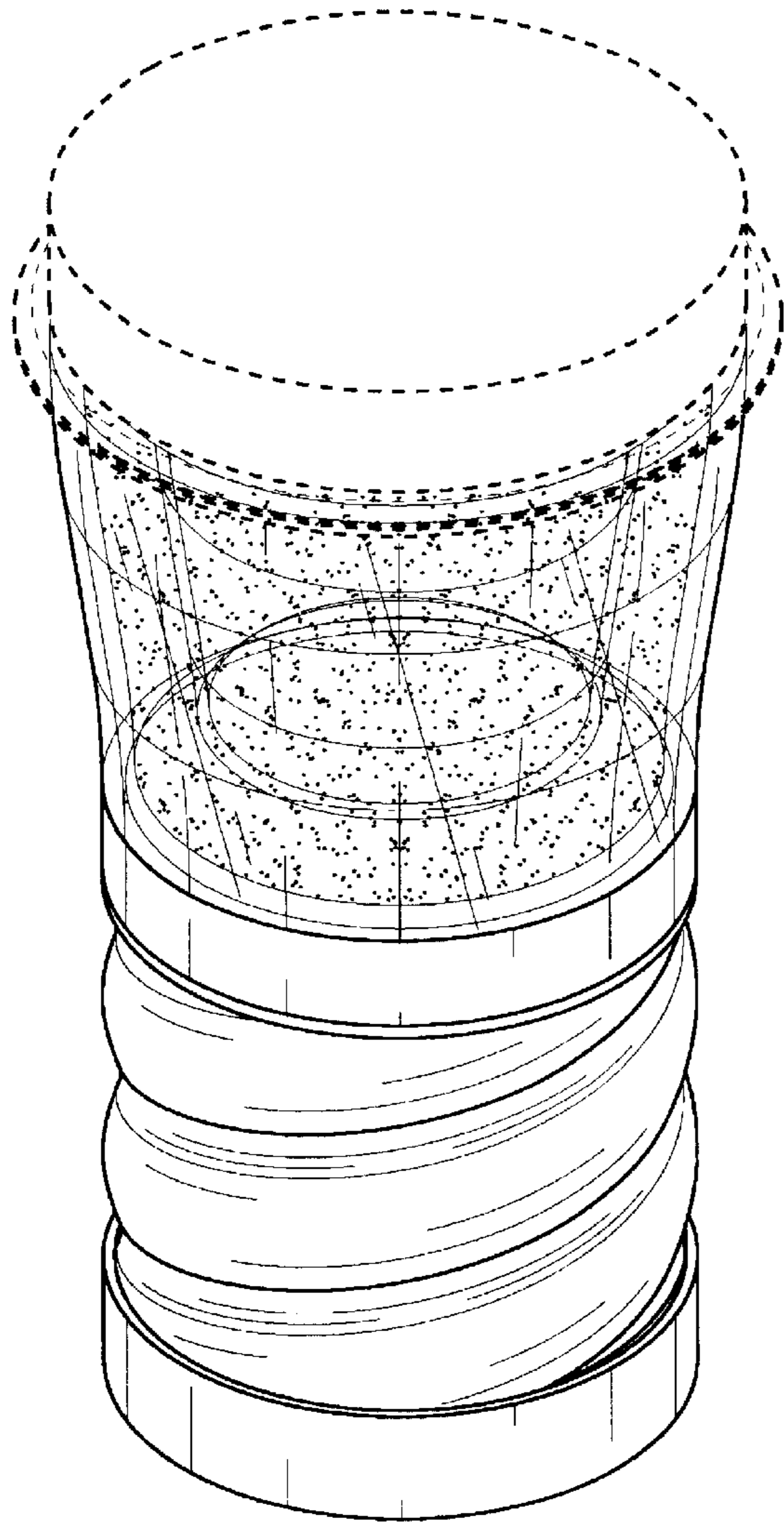


FIG. 2

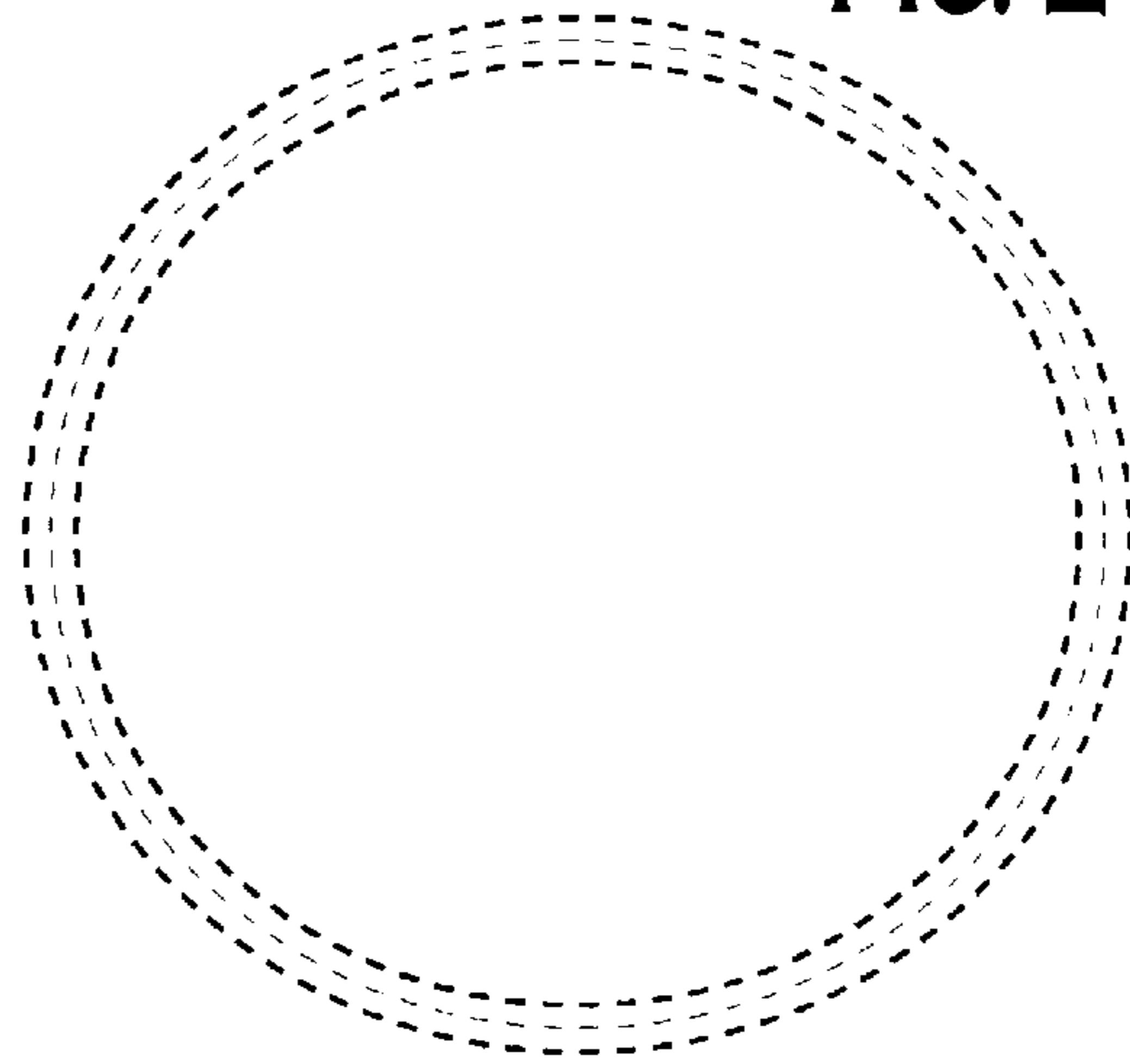
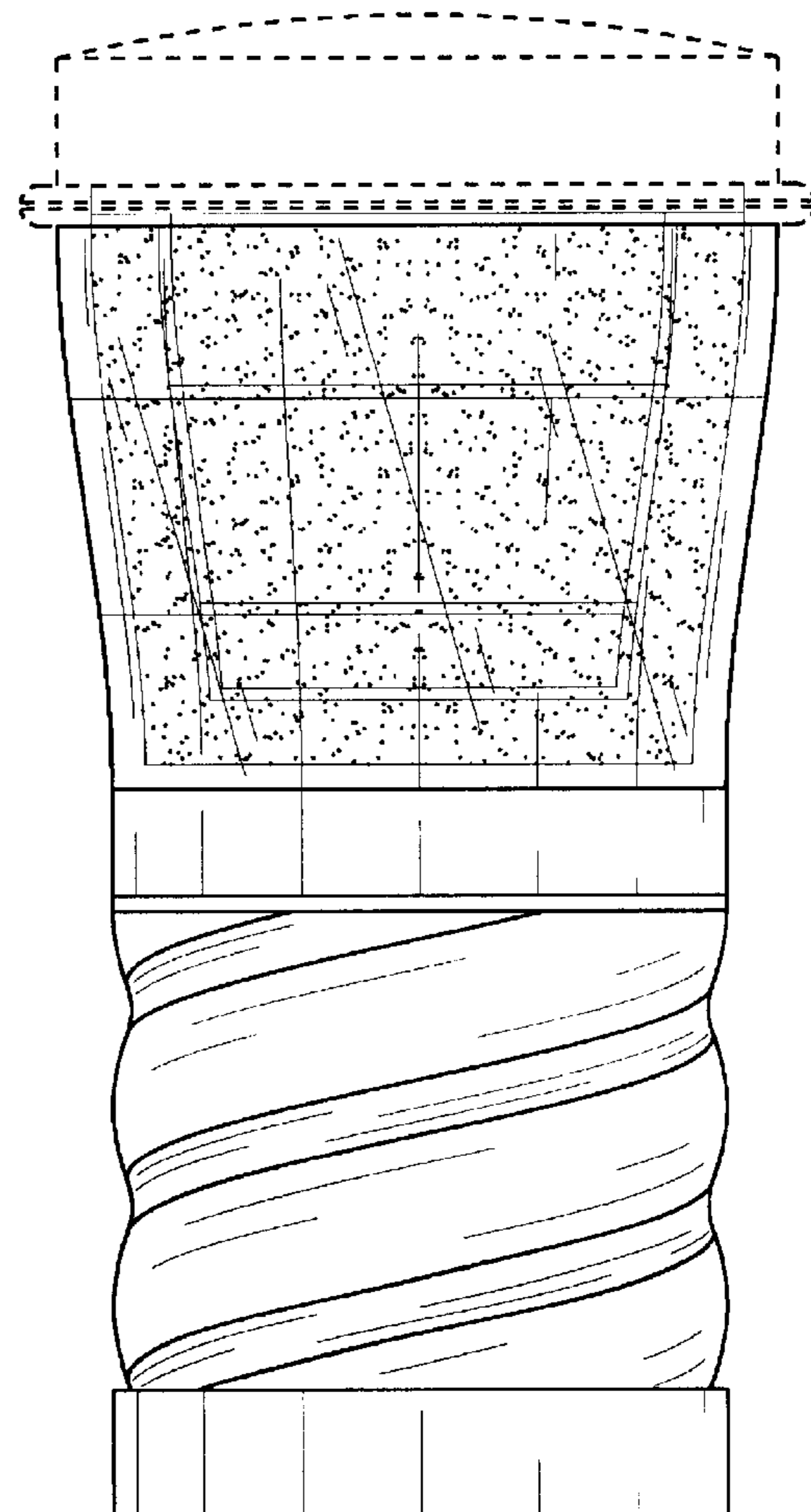


FIG. 3



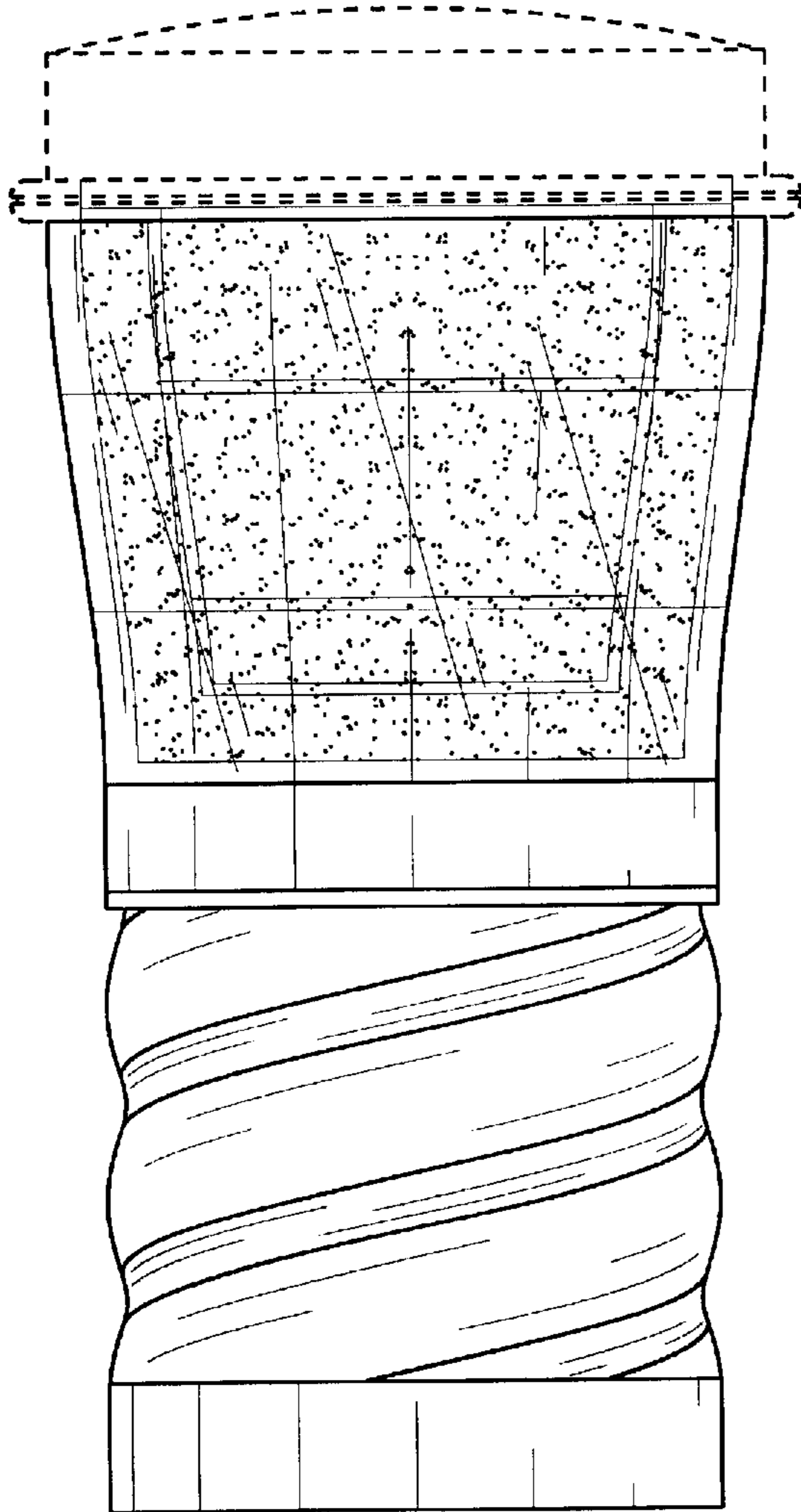


FIG. 4

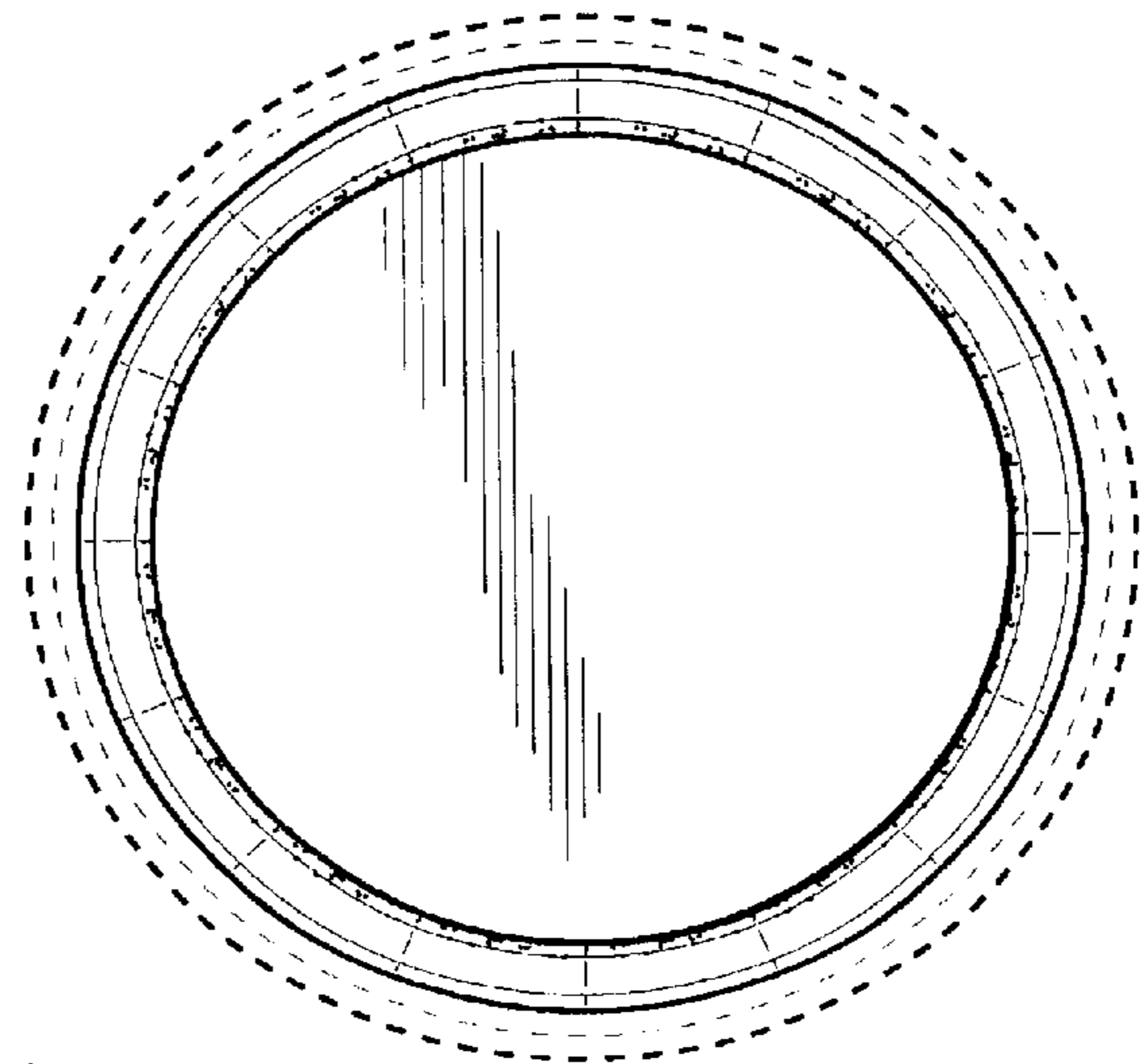


FIG. 5

FIG. 6

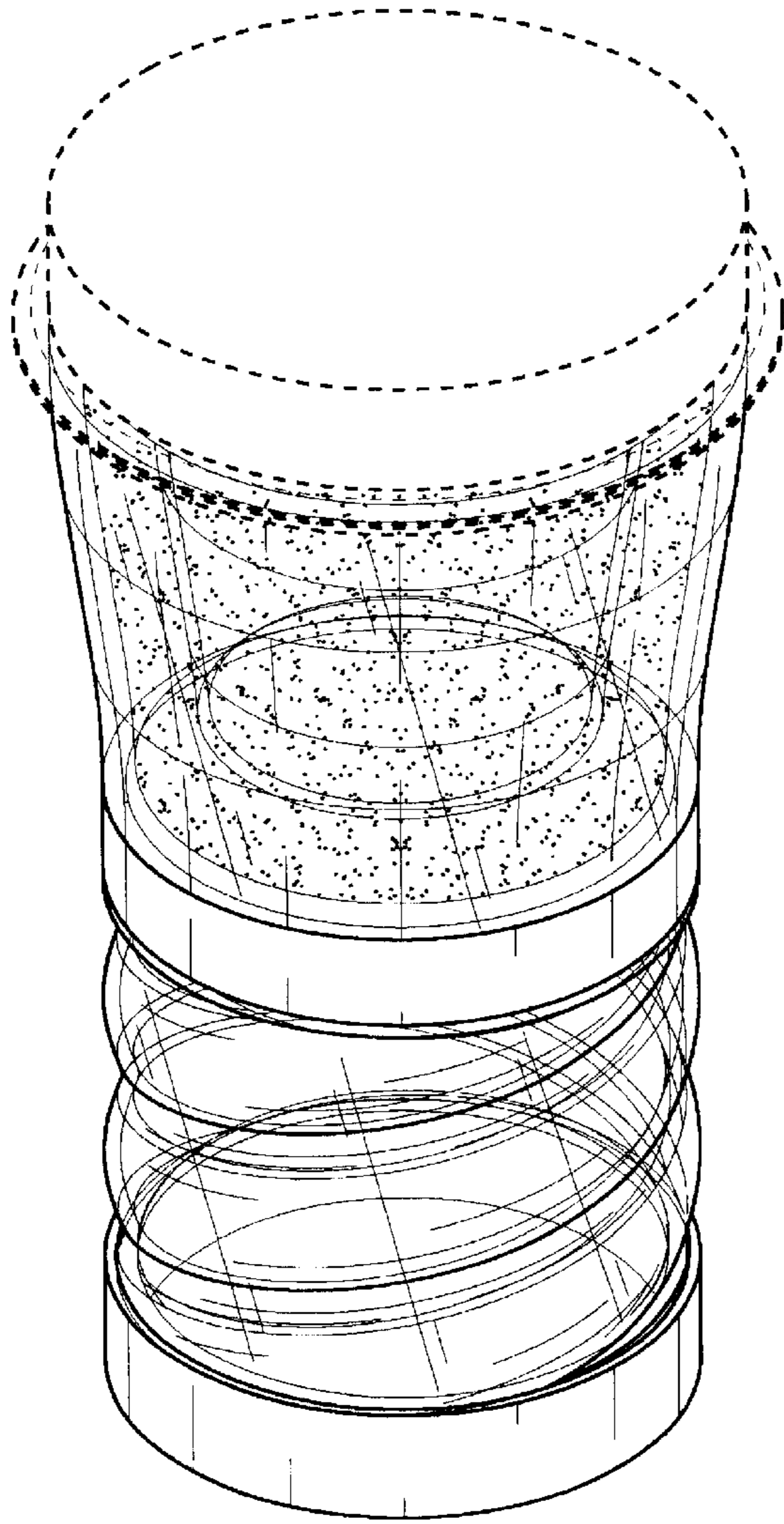


FIG. 7

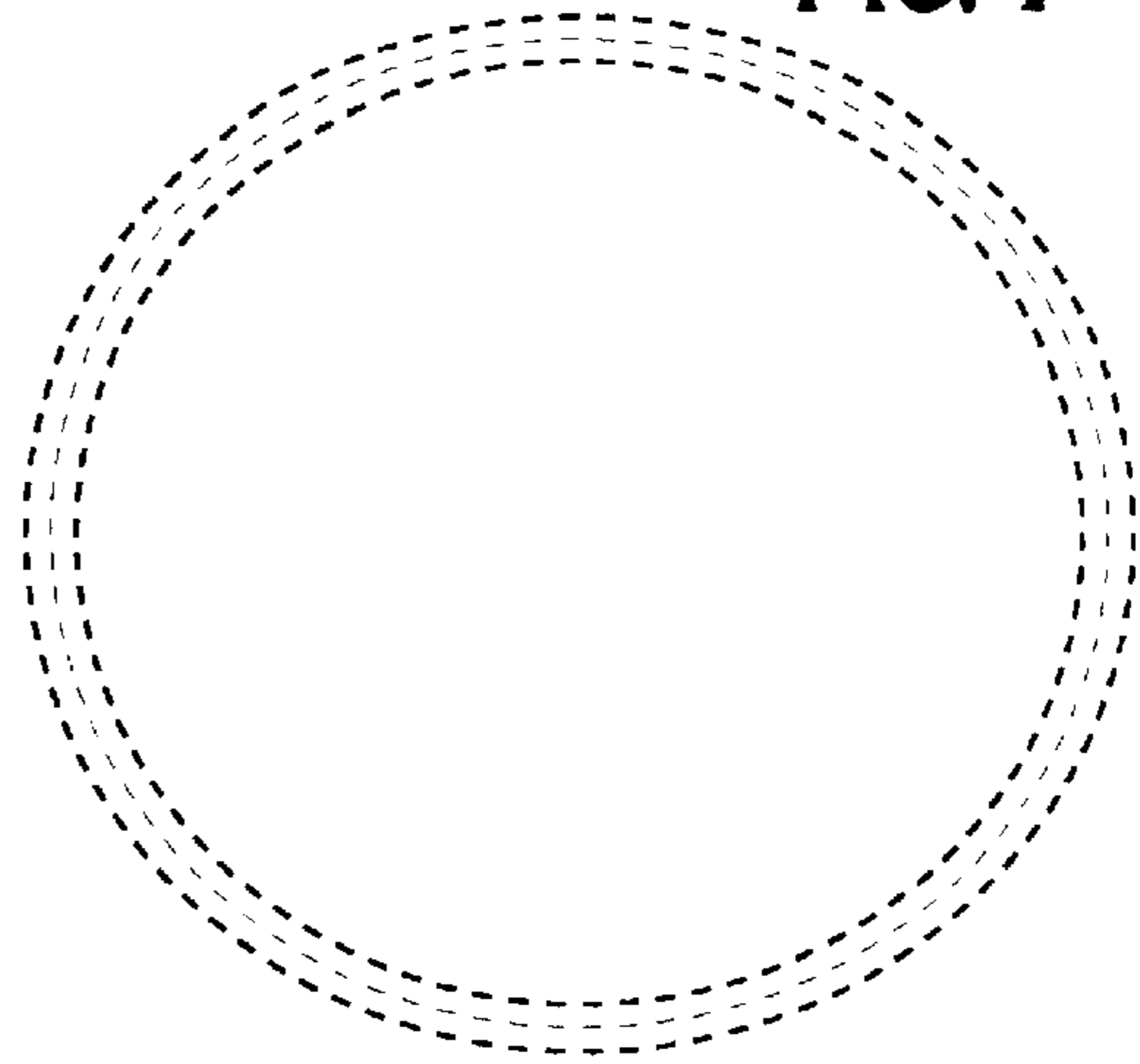
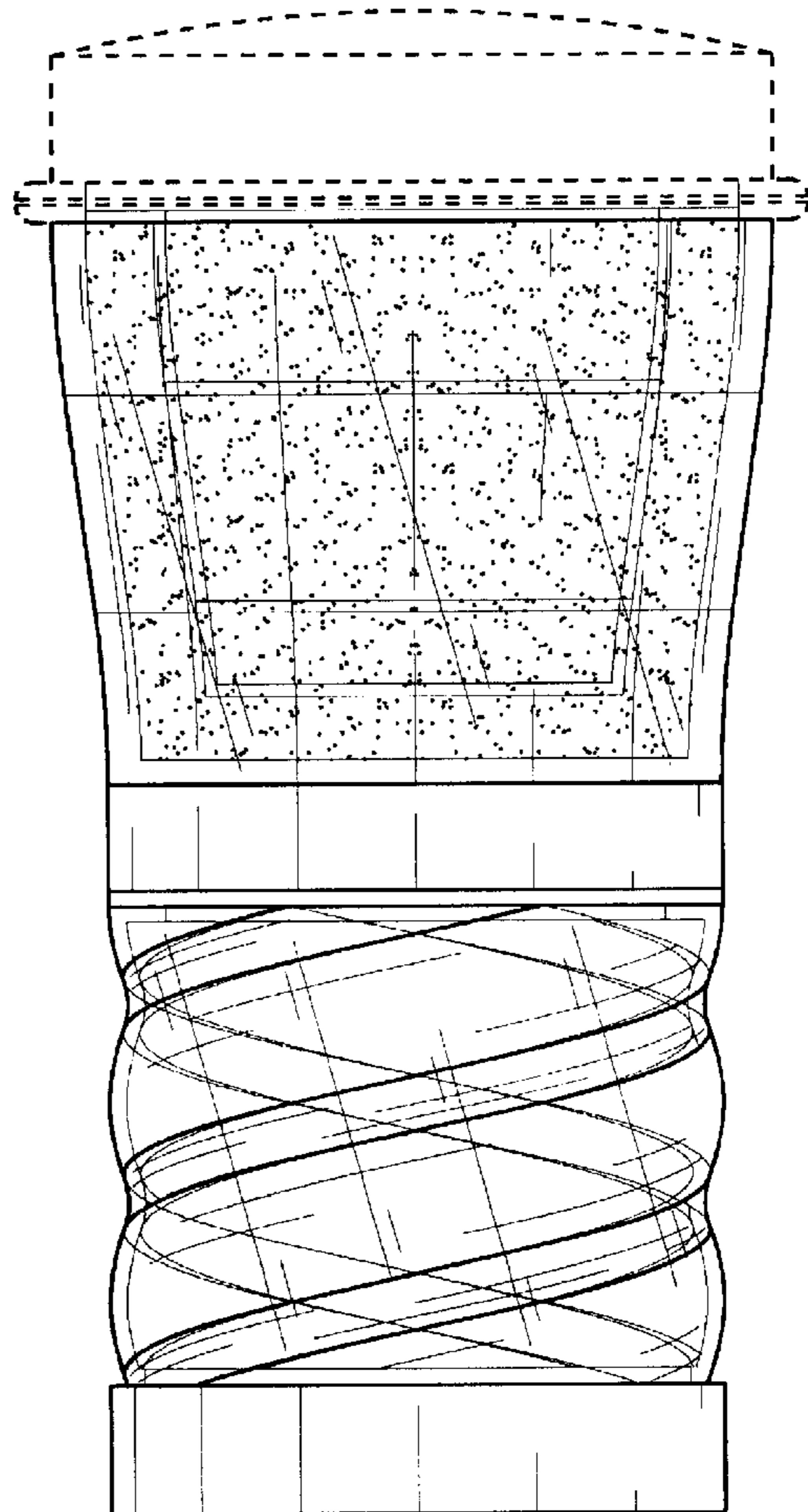


FIG. 8



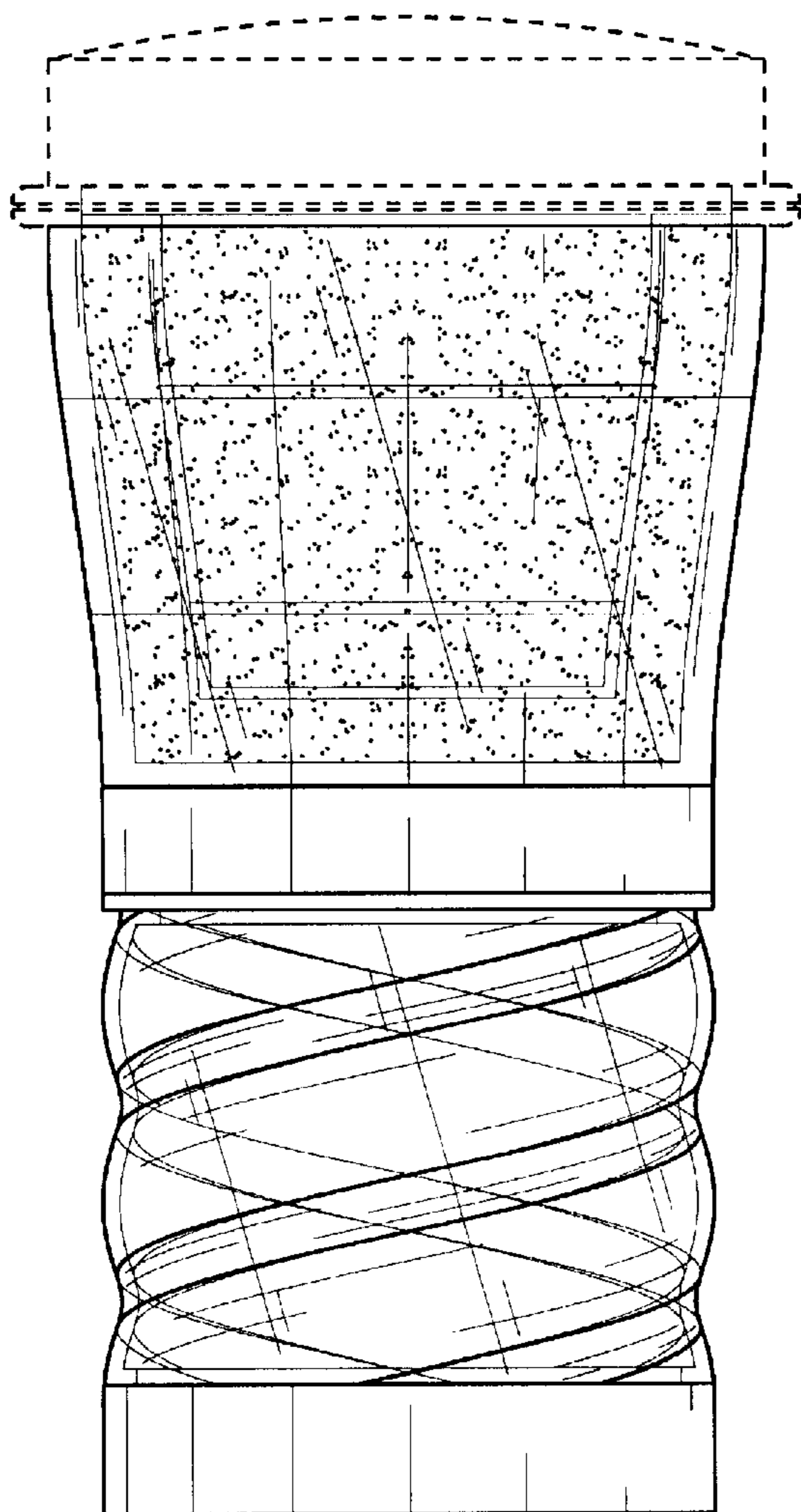


FIG. 9

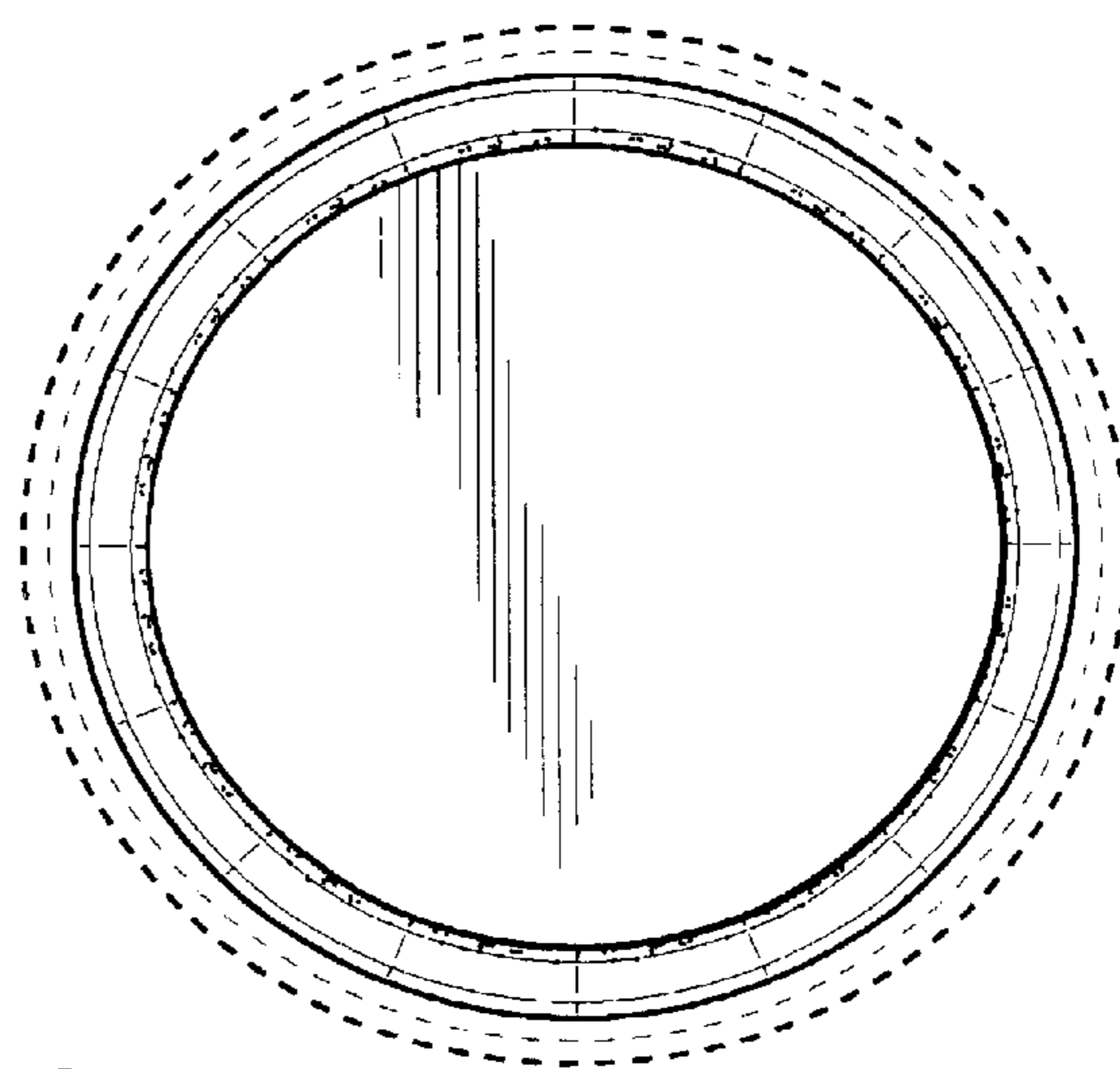


FIG. 10