



US00D536581S

(12) **United States Design Patent**
Yuen

(10) **Patent No.:** **US D536,581 S**

(45) **Date of Patent:** **** Feb. 13, 2007**

(54) **VEHICLE COOLER BOX**

D462,878 S * 9/2002 Krieger D7/605
D515,361 S * 2/2006 Yuen D7/605

(76) Inventor: **Se Kit Yuen**, 6/F, Yau Lee Centre, 45
Hoi Yuen Road, Kwun Tong, Kowloon,
Hong Kong (HK)

* cited by examiner

(**) Term: **14 Years**

Primary Examiner—Terry A. Wallace

(74) *Attorney, Agent, or Firm*—Akerman Senterfitt

(21) Appl. No.: **29/255,062**

(57) **CLAIM**

(22) Filed: **Mar. 3, 2006**

The ornamental design of a vehicle cooler box, as shown and described.

(51) **LOC (8) Cl.** **07-01**

DESCRIPTION

(52) **U.S. Cl.** **D7/605**

(58) **Field of Classification Search** D7/605,
D7/608, 709, 710; D3/273, 274; 62/457.1–457.9,
62/371, 372, 3.62, 3.64; 220/592.2, 592.24–592.27,
220/915.1, 915.2; D15/81; D12/419
See application file for complete search history.

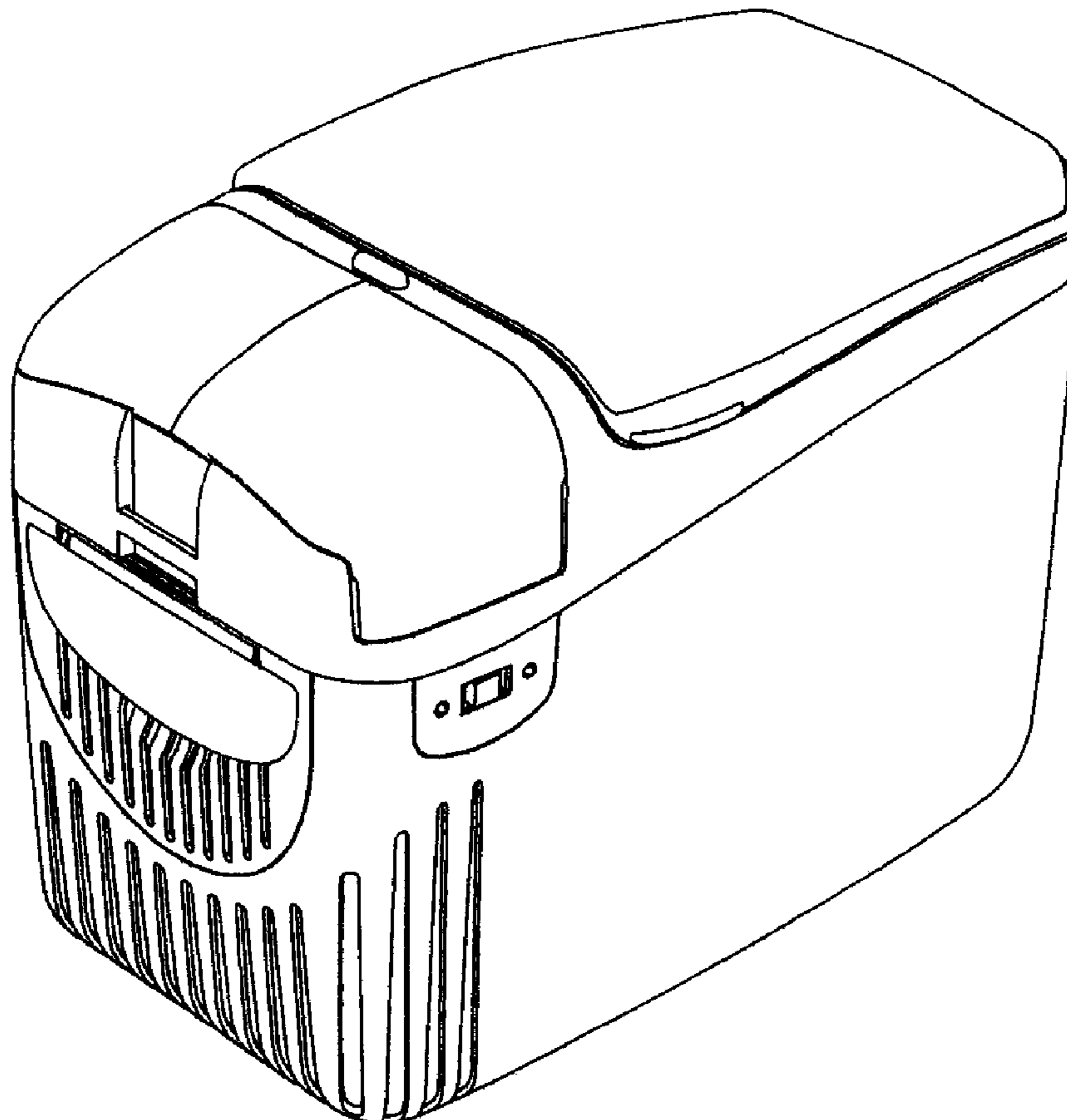
FIG. 1 is a front, top and left side perspective view of the vehicle cooler box;
FIG. 2 is a rear, bottom and right side view thereof;
FIG. 3 is a front view thereof;
FIG. 4 is a rear view thereof;
FIG. 5 is a top view thereof;
FIG. 6 is a bottom view thereof;
FIG. 7 is a right side view thereof;
FIG. 8 is a left side view thereof; and,
FIG. 9 is a rear, top and right side of alternative perspective view of the vehicle cooler box.

(56) **References Cited**

U.S. PATENT DOCUMENTS

4,274,262 A * 6/1981 Reed et al. 62/3.64
D304,263 S * 10/1989 Mull D12/419
D350,048 S * 8/1994 Kahl et al. D7/605
D368,206 S * 3/1996 Wedi D7/605

1 Claim, 5 Drawing Sheets



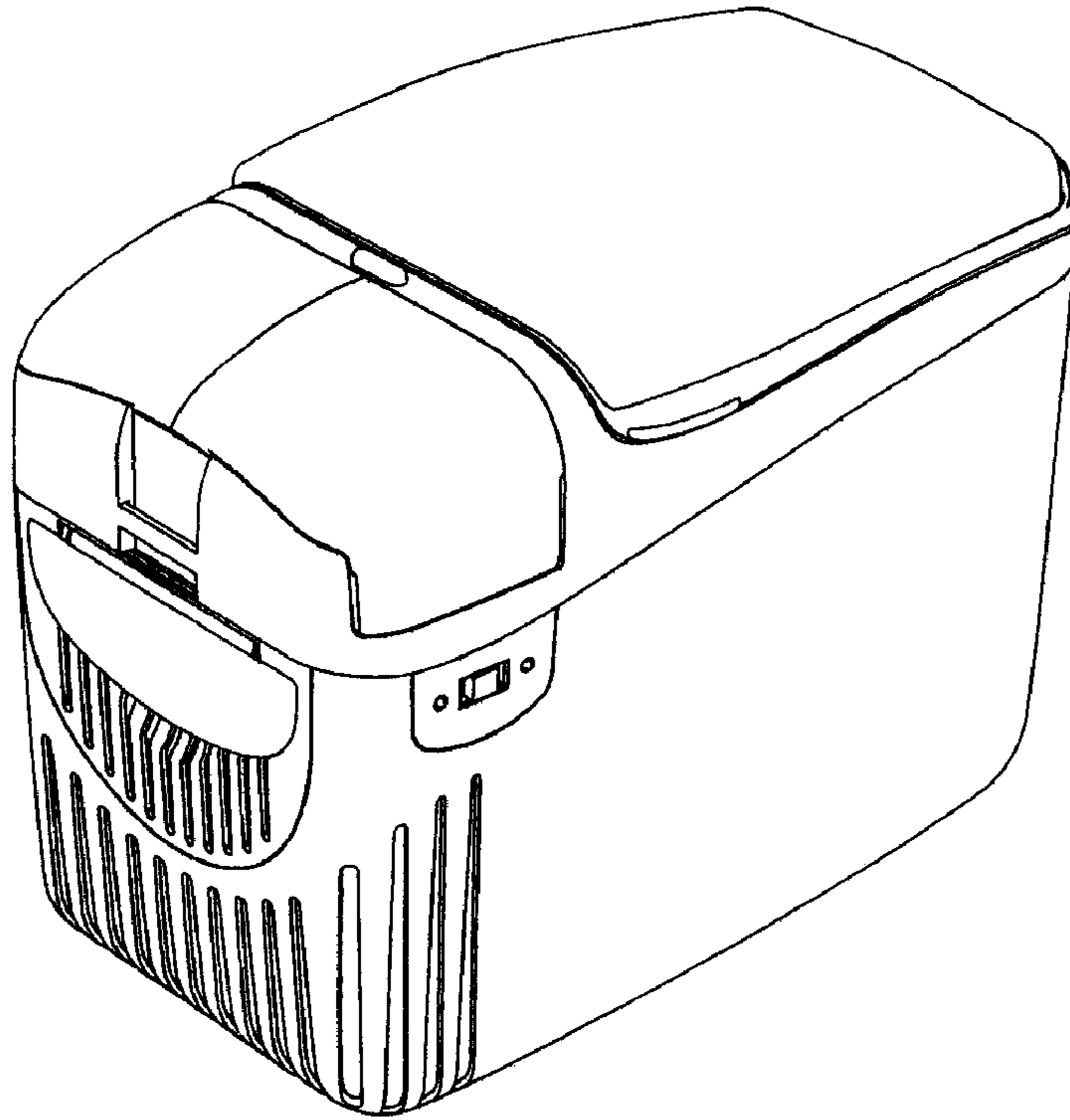


FIG. 1

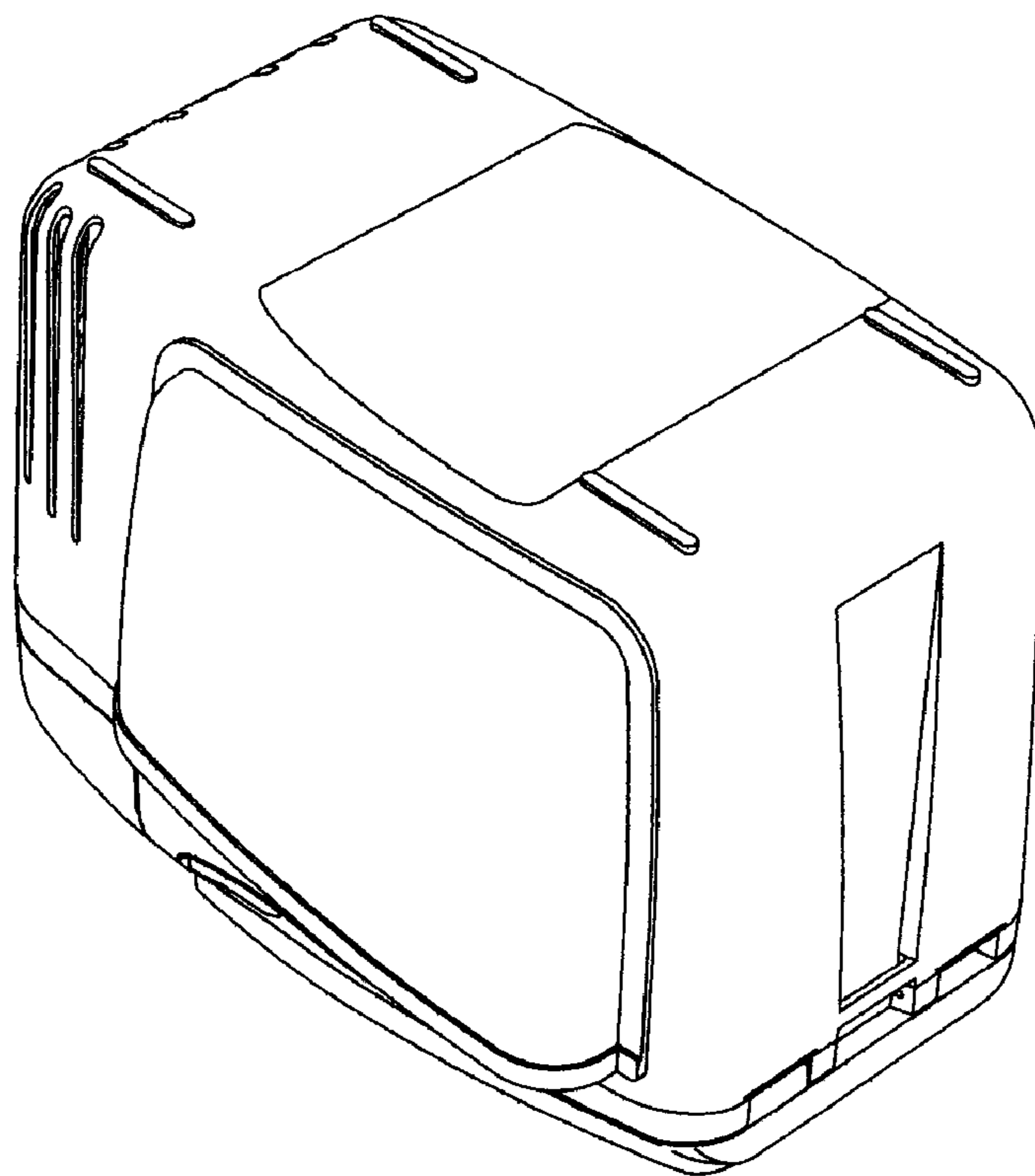


FIG. 2

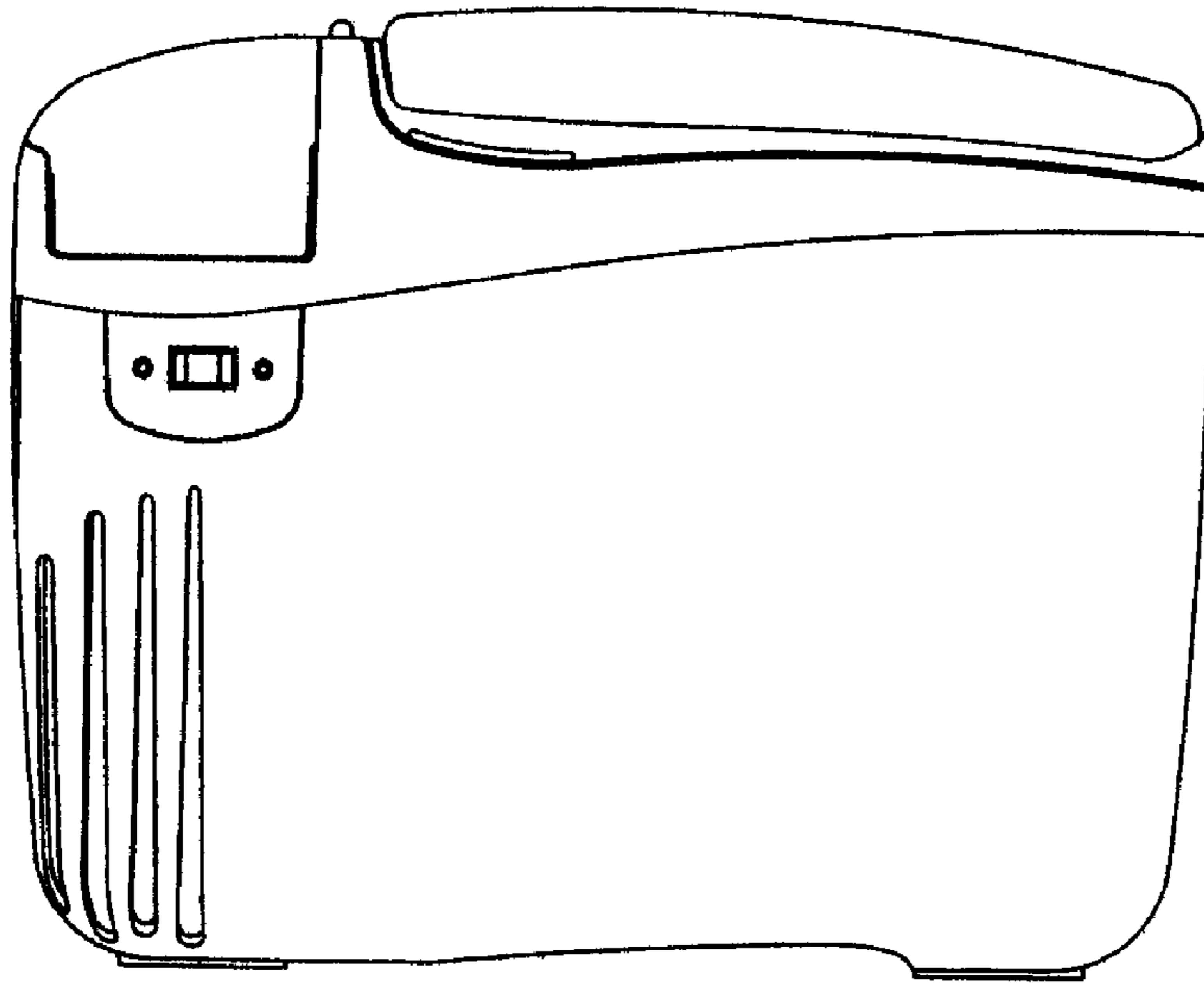


FIG. 3

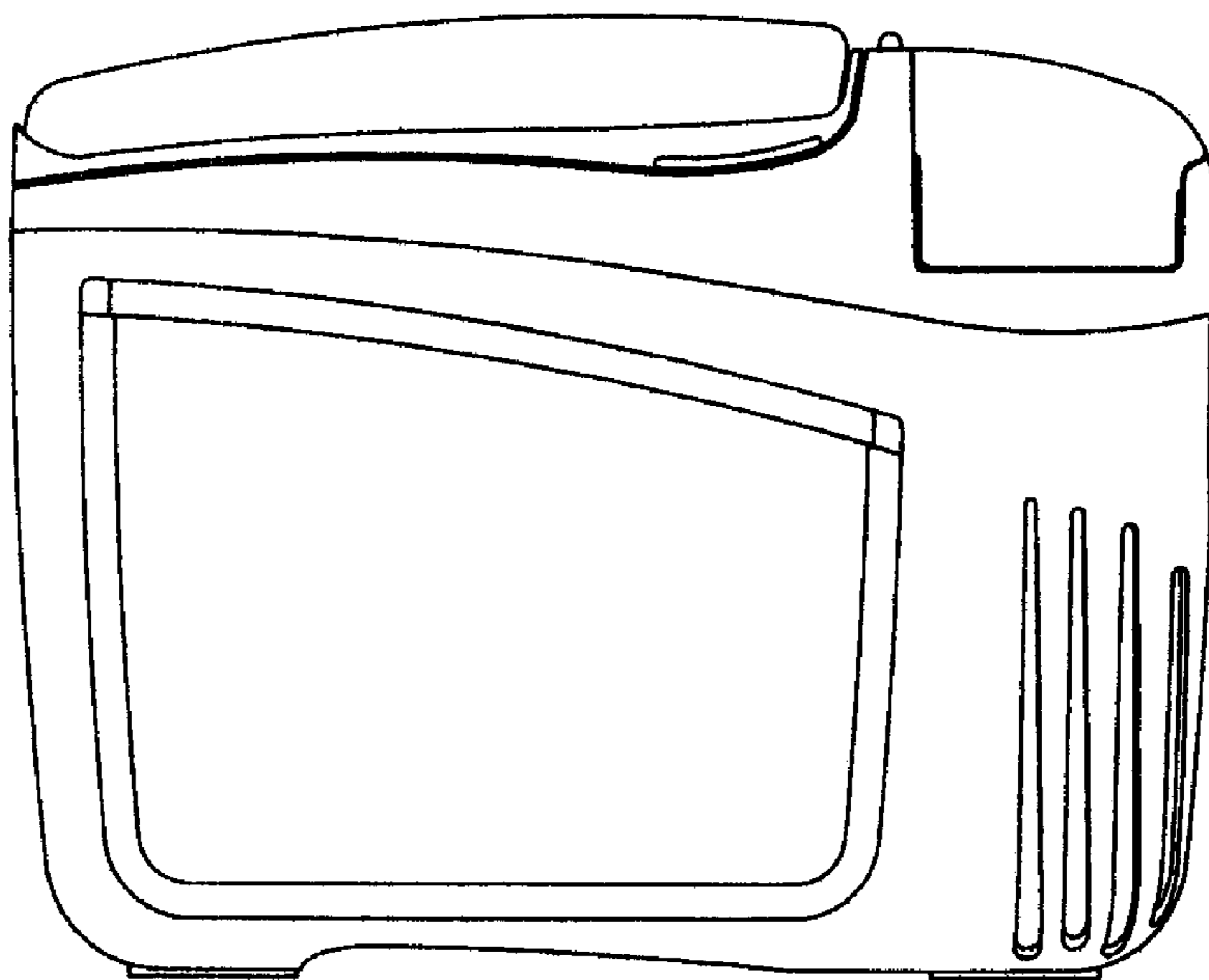


FIG. 4

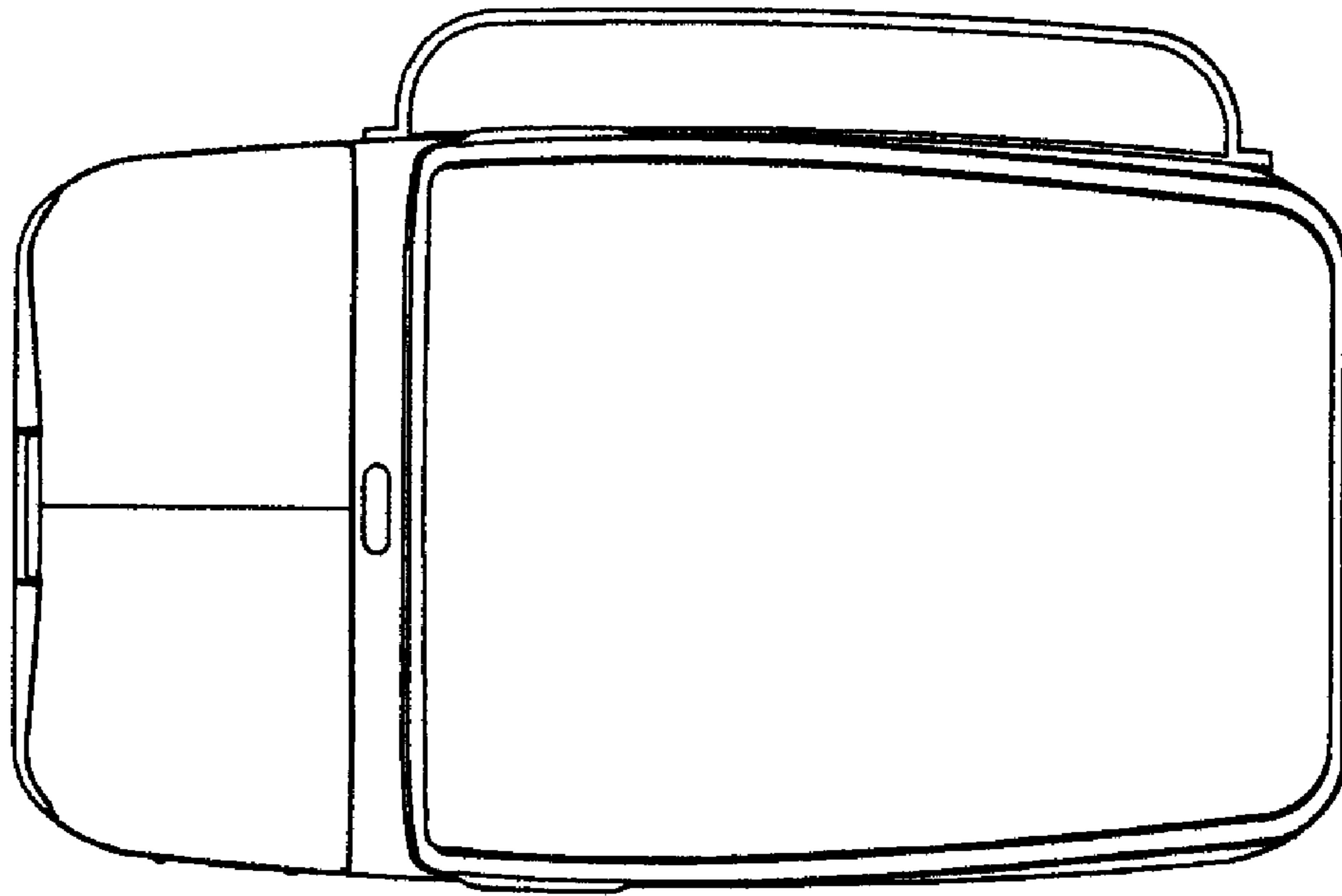


FIG. 5

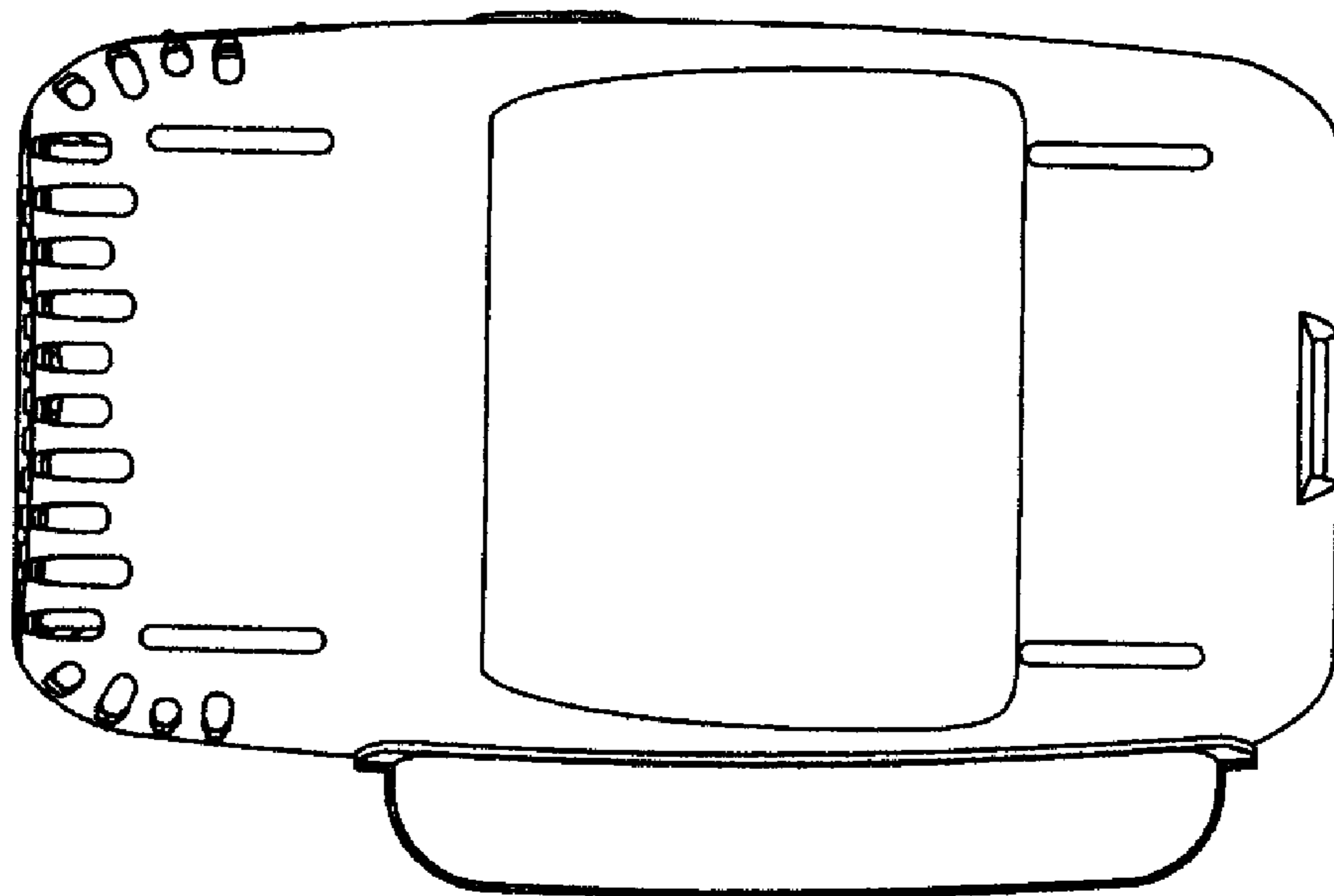


FIG. 6

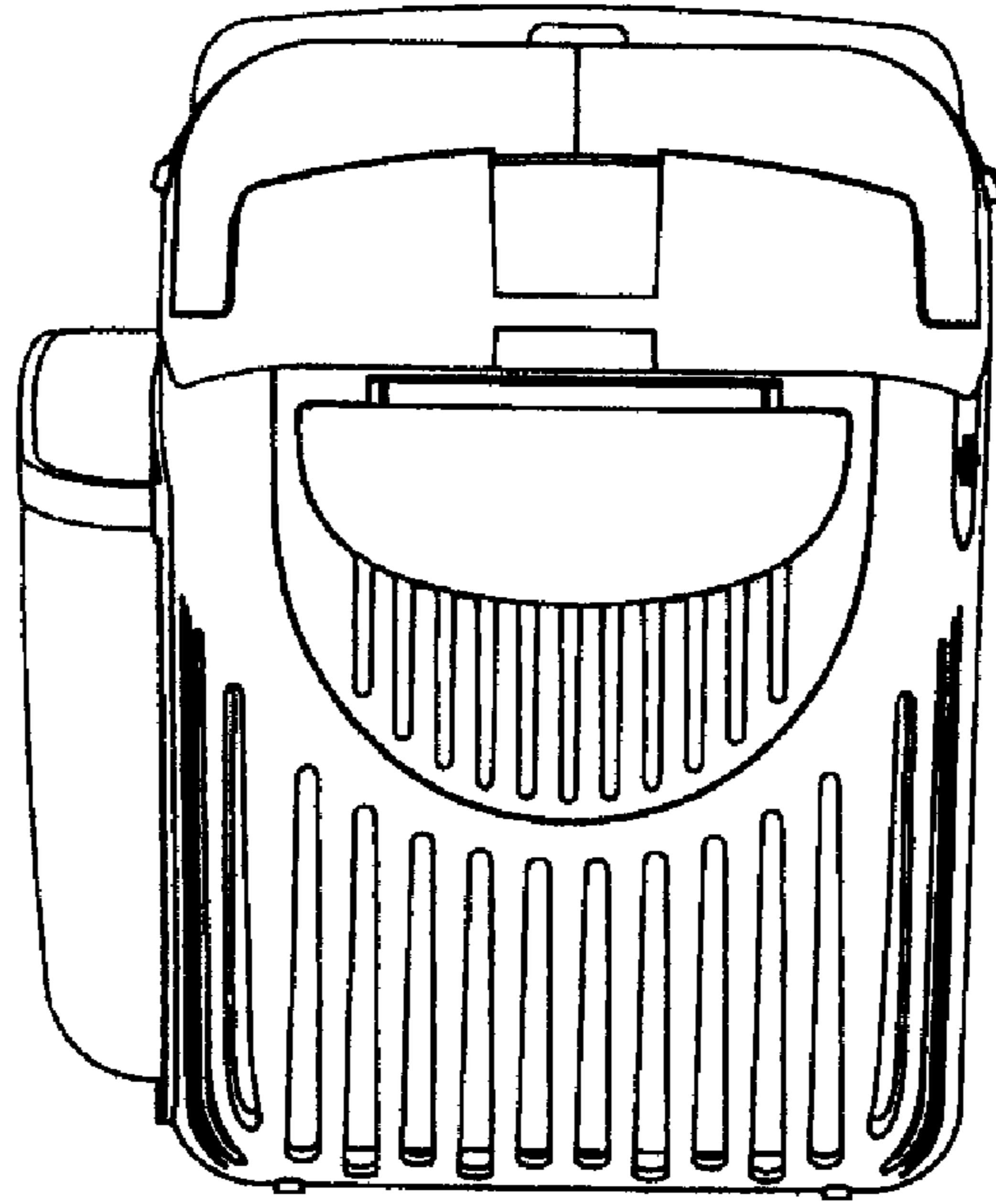


FIG. 7

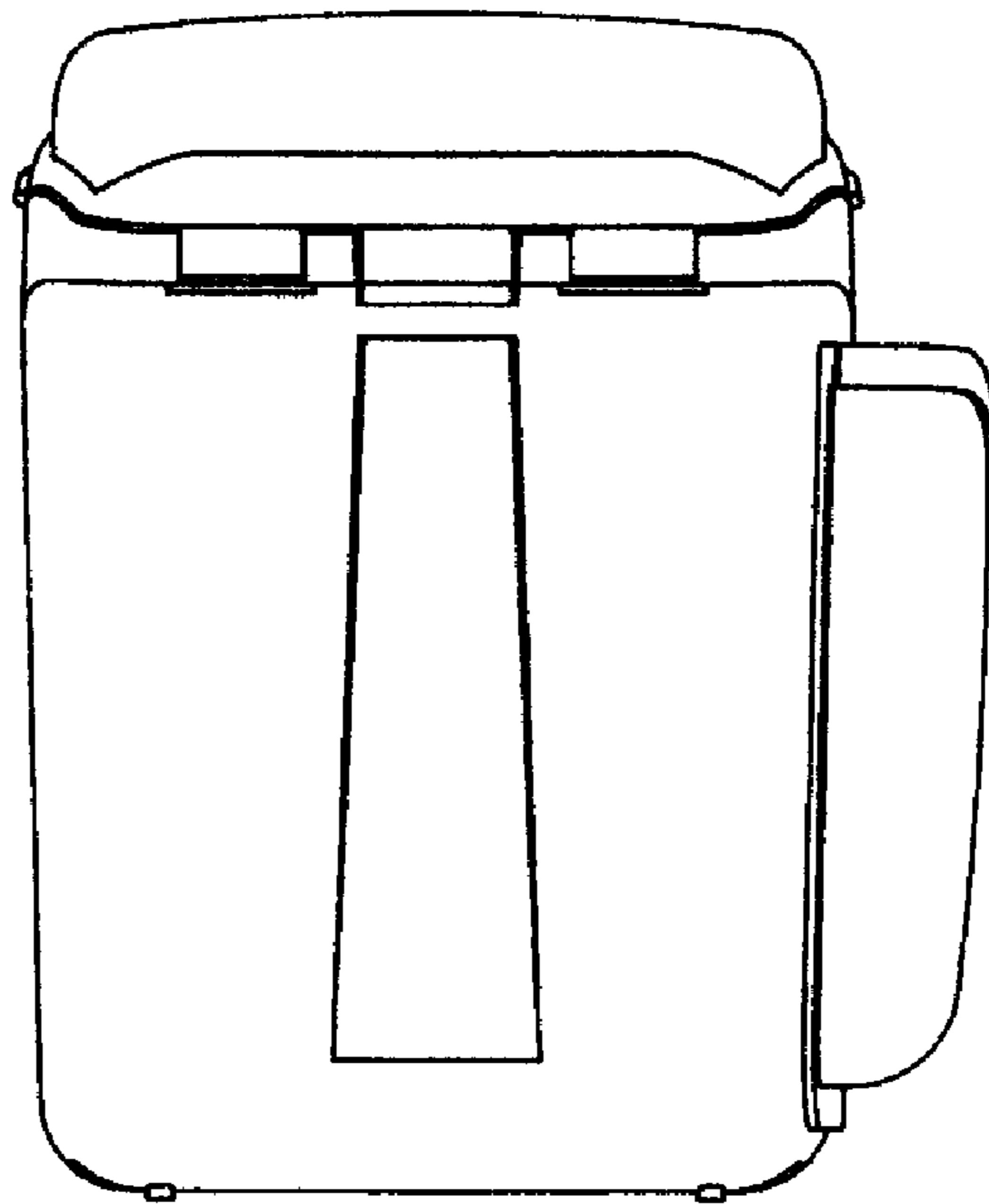


FIG. 8

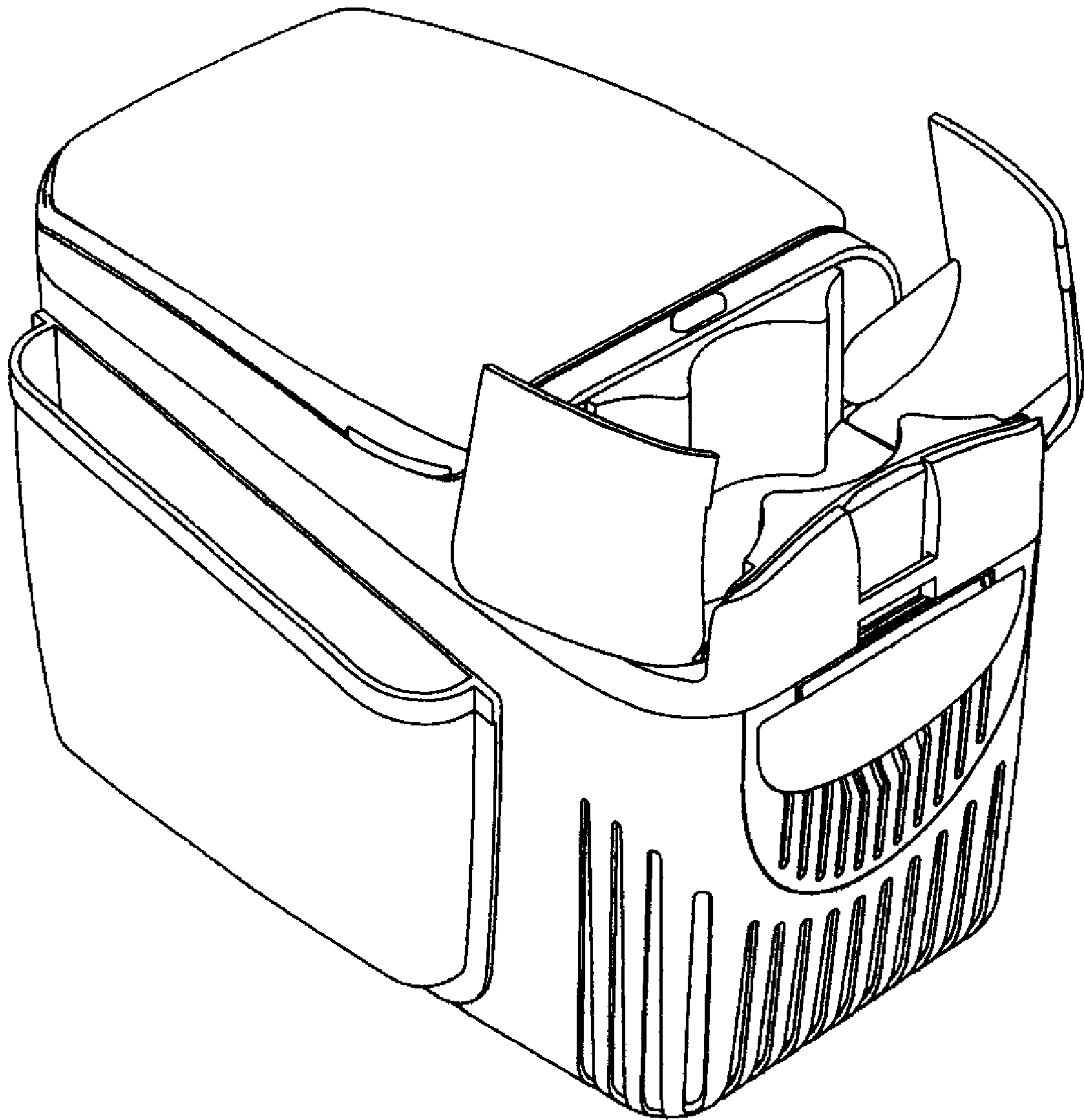


FIG. 9