

US00D536580S

(12) **United States Design Patent**  
**Krieger et al.**

(10) **Patent No.:** **US D536,580 S**

(45) **Date of Patent:** **\*\* Feb. 13, 2007**

(54) **SUV COOLER ORGANIZER**

D459,636 S \* 7/2002 Krieger et al. .... D7/605  
D474,649 S \* 5/2003 Spence, Jr. .... D7/607  
6,609,626 B2 \* 8/2003 Young et al. .... 220/592.03

(75) Inventors: **Michael Krieger**, Miami Beach, FL  
(US); **Kevin Ellsworth**, Alva, FL (US)

\* cited by examiner

(73) Assignee: **Vector Products, Inc.**, Ft. Lauderdale,  
FL (US)

*Primary Examiner*—Terry A. Wallace  
(74) *Attorney, Agent, or Firm*—Venable LLP; Robert  
Kinberg; Manni Li

(\*\*) Term: **14 Years**

(21) Appl. No.: **29/252,675**

(57) **CLAIM**

(22) Filed: **Jan. 26, 2006**

The ornamental design for an SUV cooler organizer, as  
shown and described.

(51) **LOC (8) Cl.** ..... **07-01**

(52) **U.S. Cl.** ..... **D7/605**

(58) **Field of Classification Search** ..... D7/605–608,  
D7/629, 601, 709, 710; D3/273, 274, 283,  
D3/289, 290, 294; 220/915.1, 915.2, 592.03,  
220/694, 739, 592.2, 592.24–592.27; 62/457.1–457.9,  
62/371, 372

See application file for complete search history.

**DESCRIPTION**

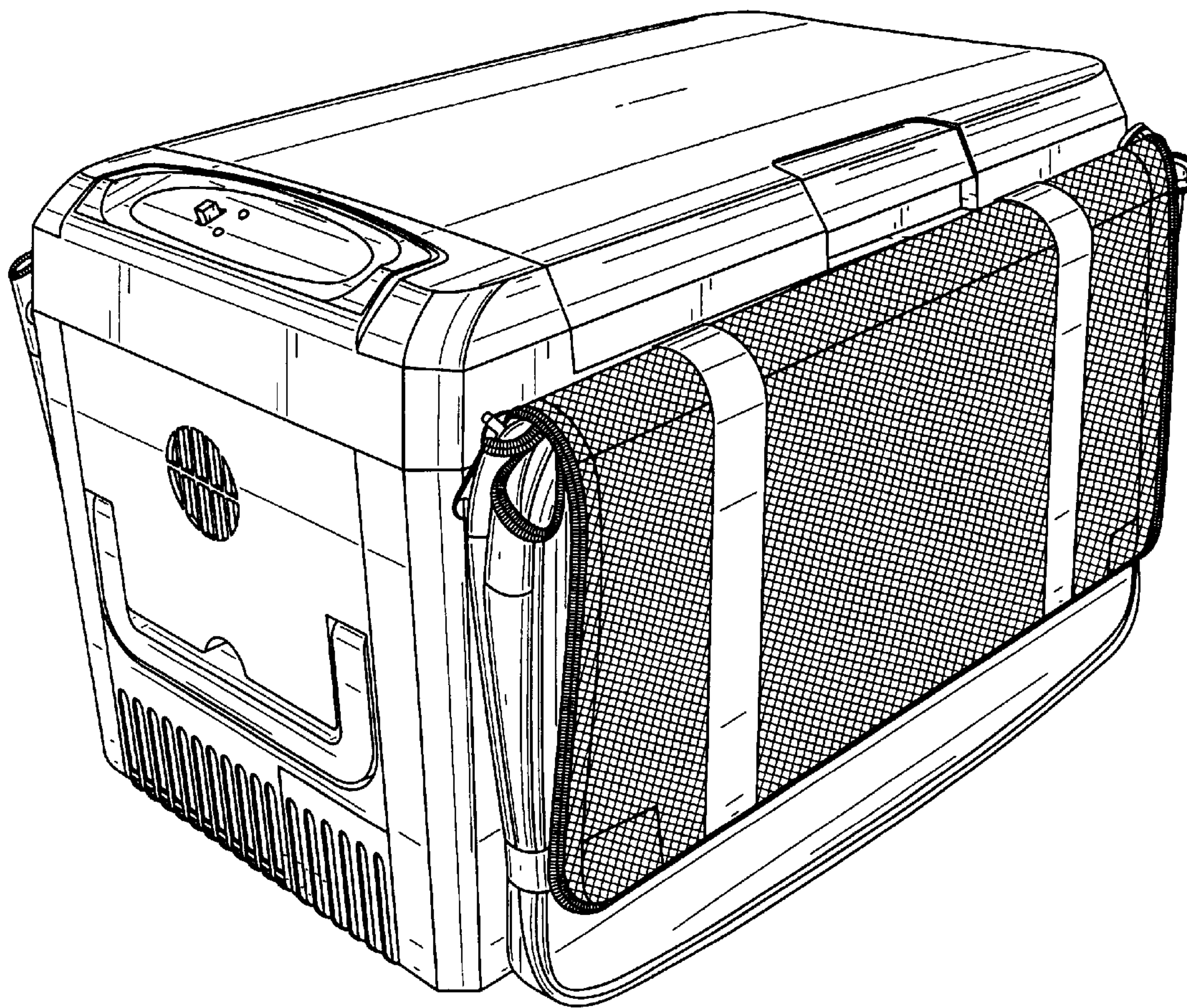
FIG. 1 is a perspective view from the front-top-right side of  
the SUV cooler organizer showing our new design;  
FIG. 2 is a front view of the design shown in FIG. 1;  
FIG. 3 is a rear view of the design shown in FIG. 1;  
FIG. 4 is a left side view of the design shown in FIG. 1;  
FIG. 5 is a right side view of the design shown in FIG. 1;  
FIG. 6 is a top view of the design shown in FIG. 1; and,  
FIG. 7 is a bottom view of the design shown in FIG. 1.

(56) **References Cited**

**U.S. PATENT DOCUMENTS**

5,772,066 A \* 6/1998 Reynolds ..... 220/694

**1 Claim, 7 Drawing Sheets**



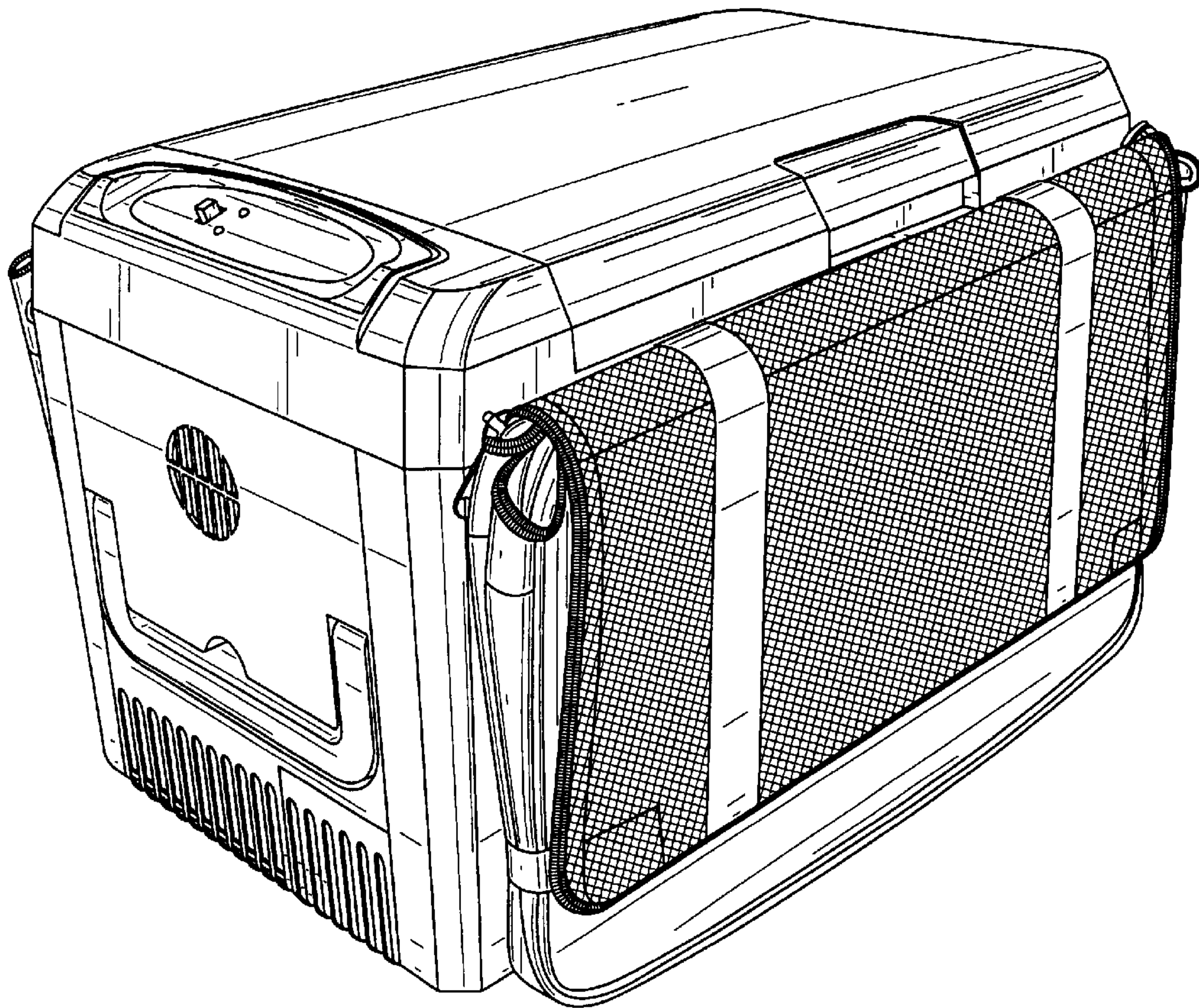


FIG. 1



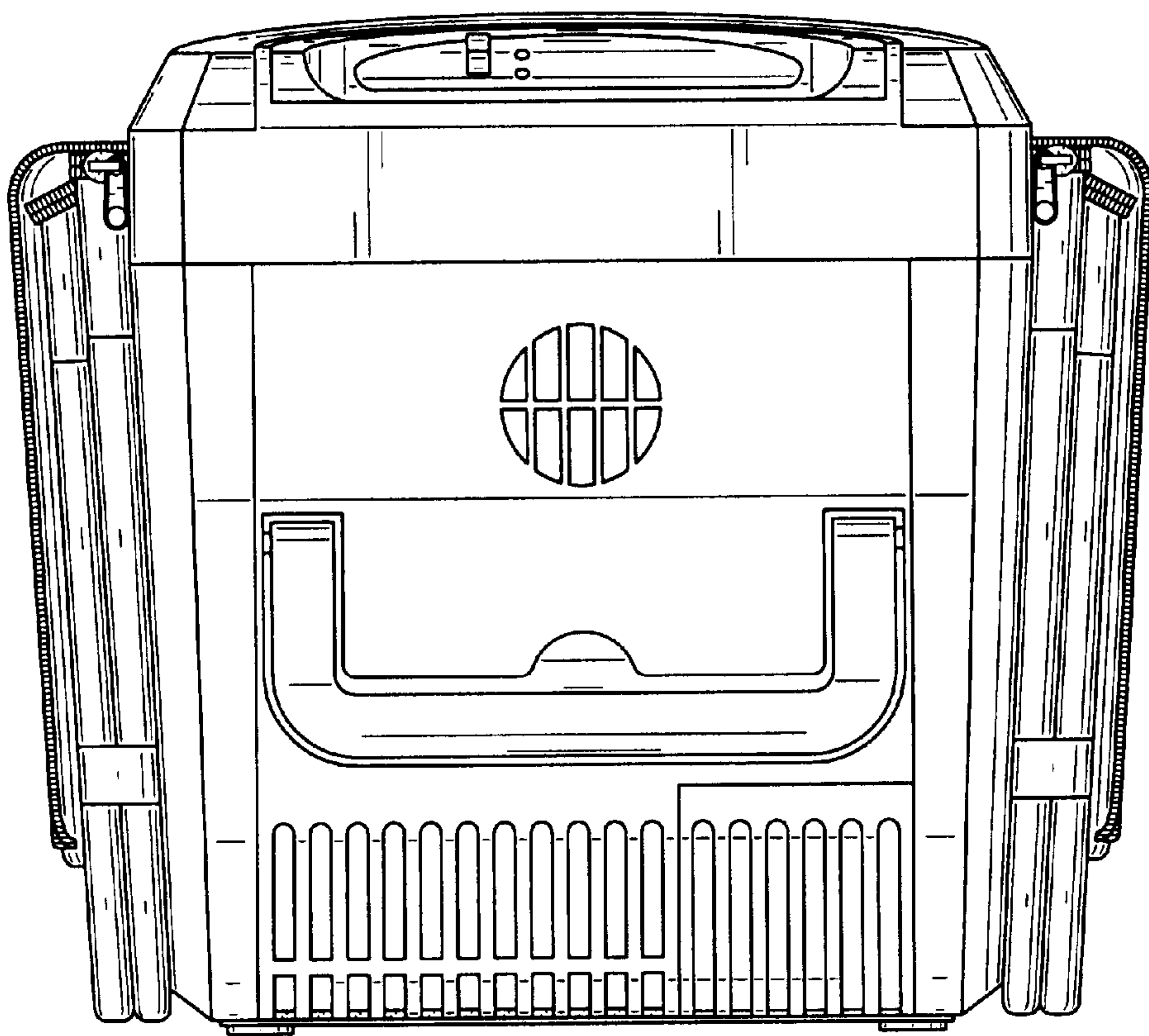


FIG. 2

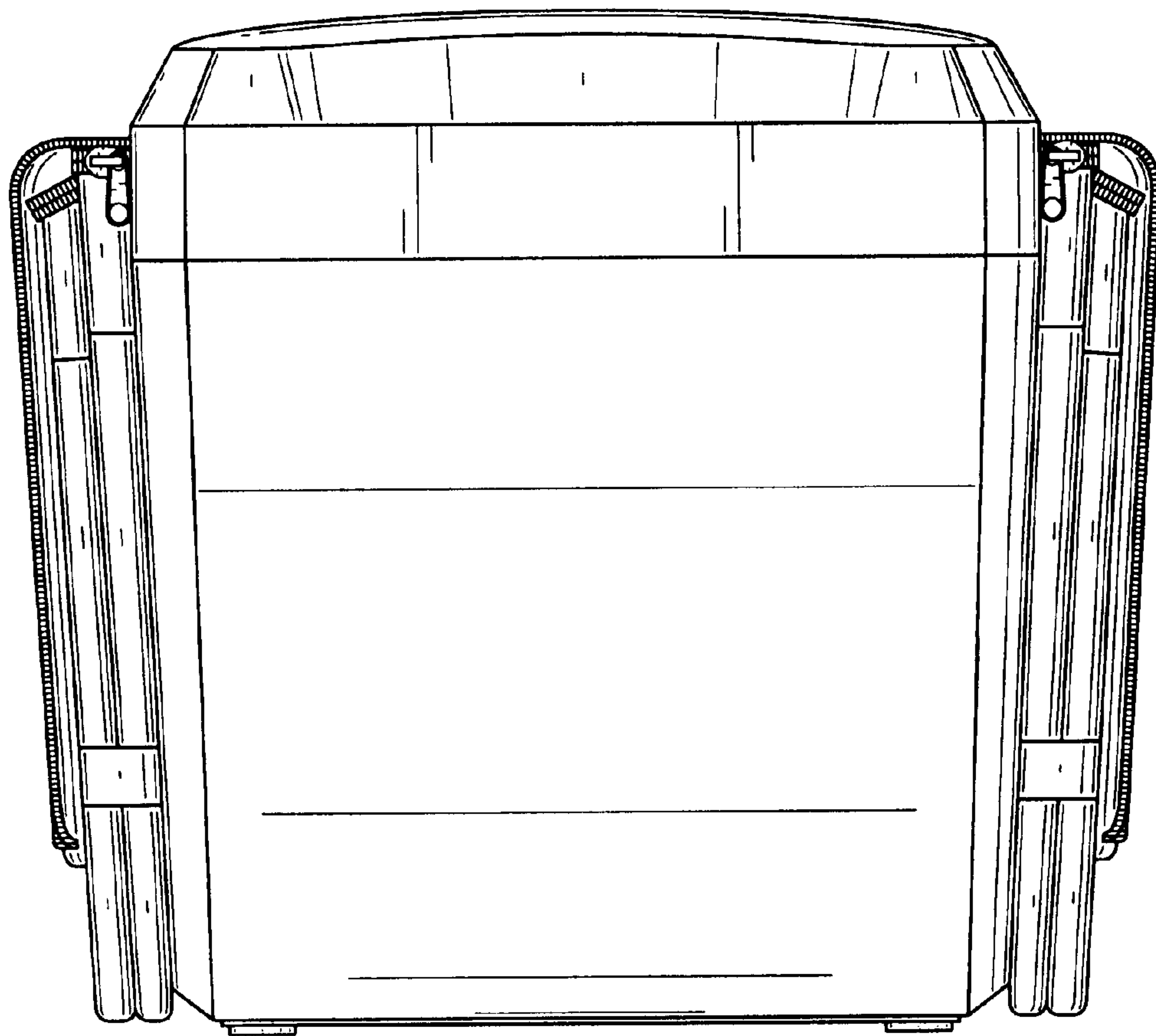


FIG. 3

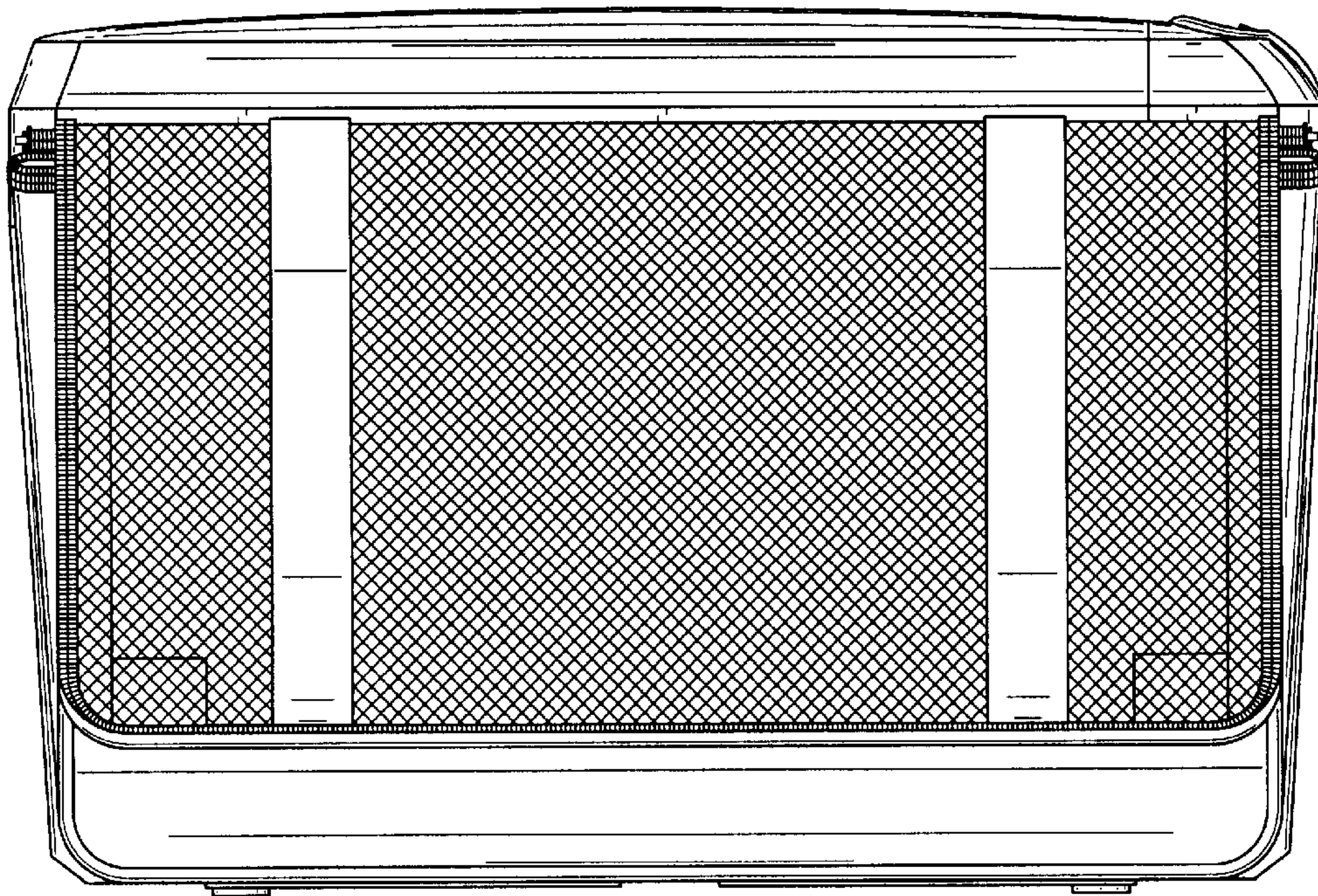


FIG. 4



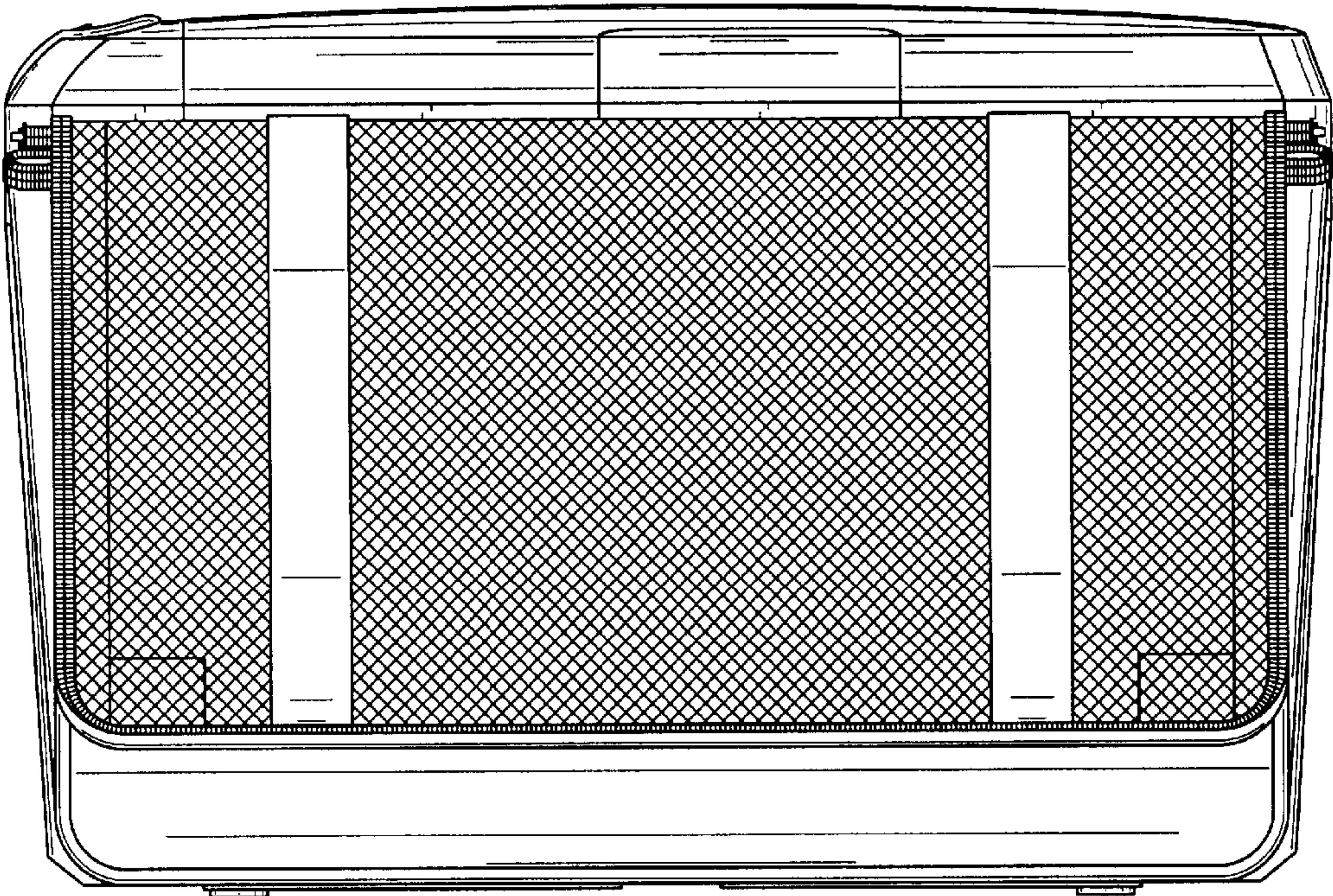


FIG. 5

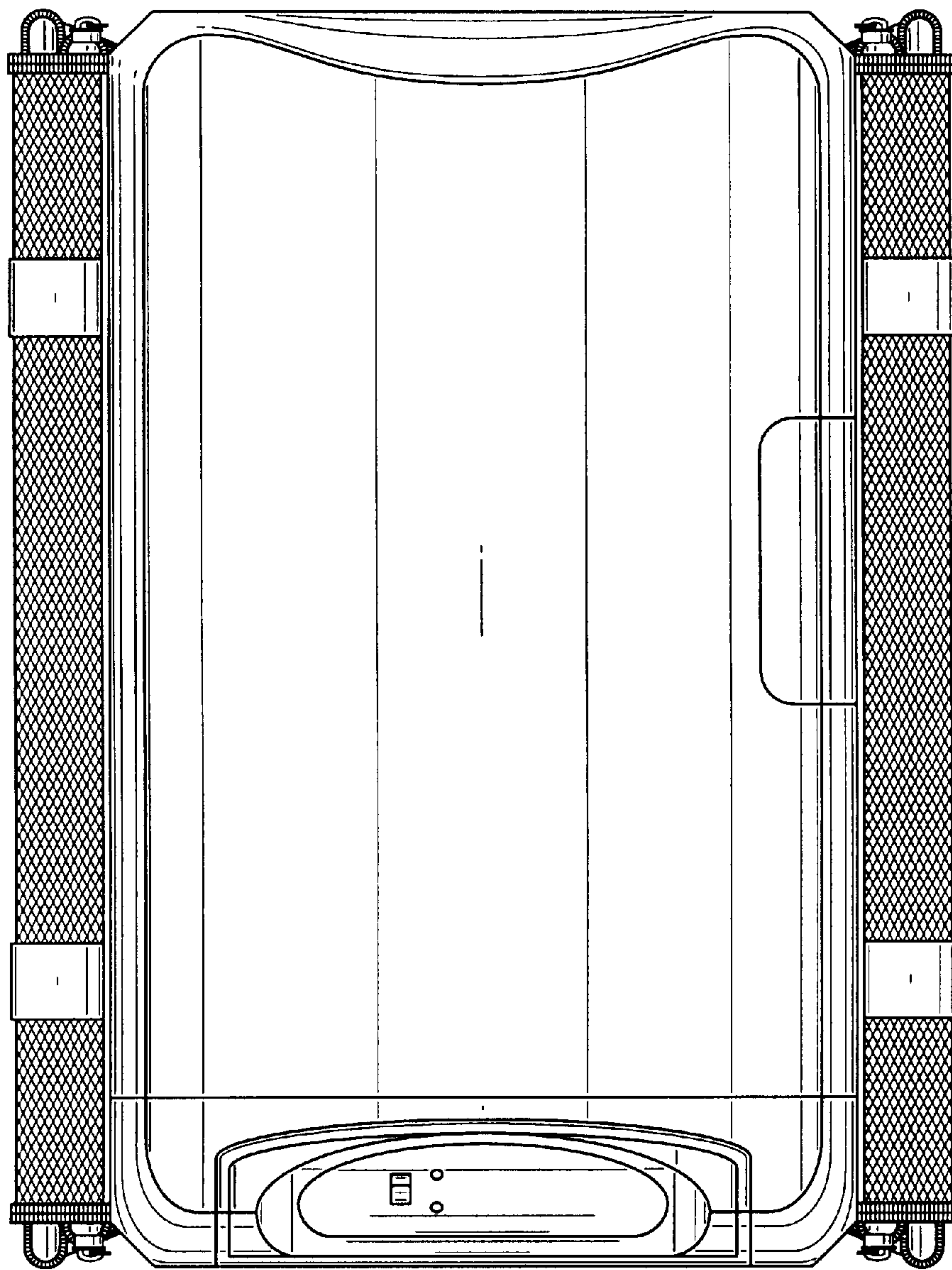


FIG. 6

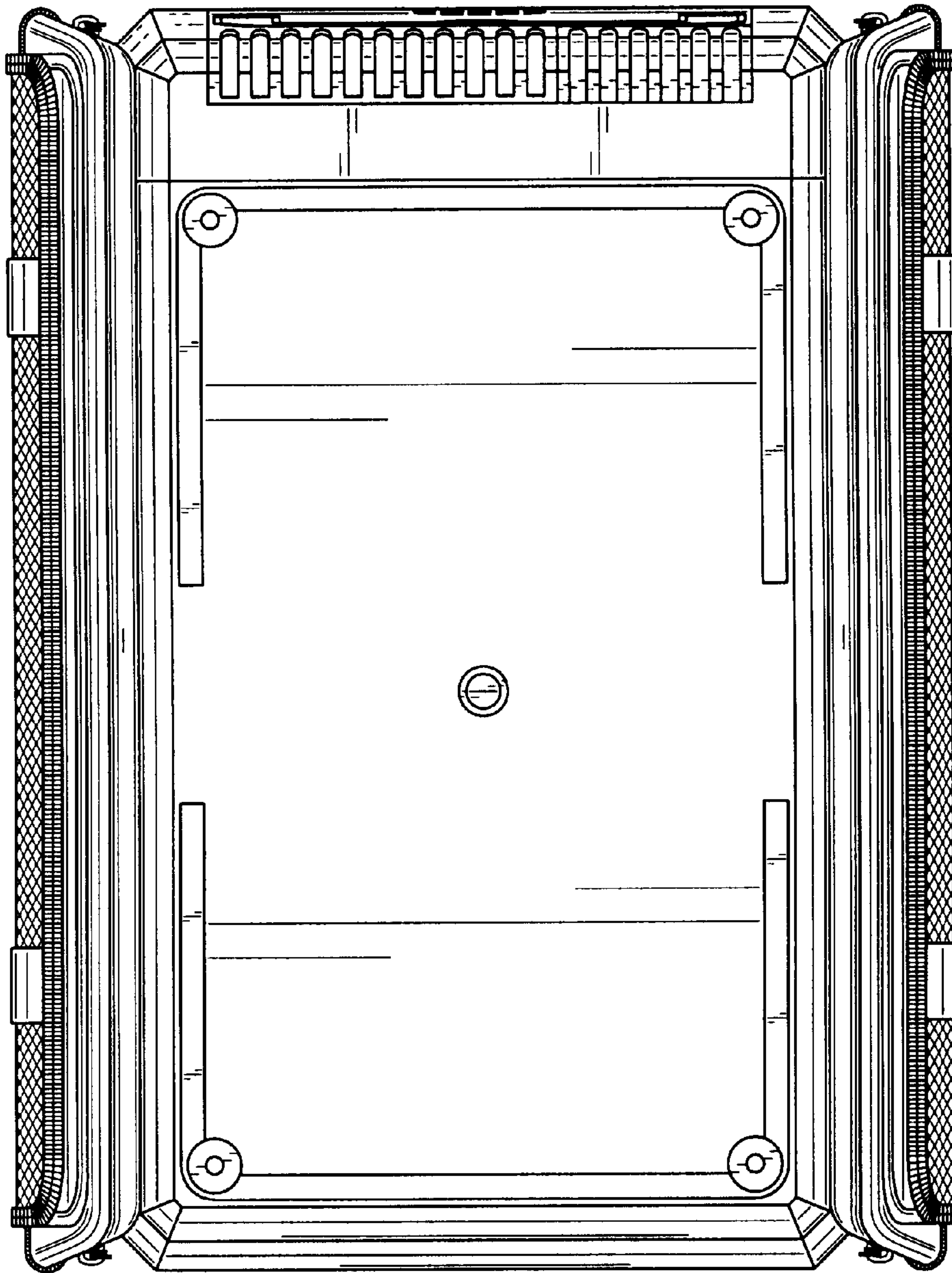


FIG. 7