



US00D536575S

(12) **United States Design Patent**
Schreiber-Pethan et al.

(10) **Patent No.:** **US D536,575 S**

(45) **Date of Patent:** **** Feb. 13, 2007**

(54) **UTENSIL SHAFT**

(75) Inventors: **Rebecca Schreiber-Pethan**, Sheboygan, WI (US); **Brian J. Siehr**, Sheboygan, WI (US); **David M. Wasserman**, Whitefish Bay, WI (US)

(73) Assignee: **The Vollrath Company, L.L.C.**, Sheboygan, WI (US)

(**) Term: **14 Years**

(21) Appl. No.: **29/209,373**

(22) Filed: **Jul. 15, 2004**

(51) **LOC (8) Cl.** **07-02**

(52) **U.S. Cl.** **D7/401.2**

(58) **Field of Classification Search** D7/368,
D7/401.2, 642-664, 681-696, 669, 675, 676,
D7/683, 393-395; 294/7, 8; 16/110.1, 430,
16/431, 436, 441, 444; 30/137, 141, 142,
30/340, 147-150, 322-329, 342-345; 416/70 R
See application file for complete search history.

(56) **References Cited**

U.S. PATENT DOCUMENTS

54,516 A	5/1866	Fallows	
RE2,682 E	7/1867	Grosjean	
112,240 A	2/1871	Grosjean	
154,269 A	8/1874	Mix	
200,370 A	2/1878	Scheider	
1,133,775 A	3/1915	Wizin	
1,851,942 A	3/1932	Christie	
D93,270 S	9/1934	Bumbaugh	
2,198,355 A	4/1940	Trumbull	
2,803,059 A	8/1957	Murdock et al.	
D311,307 S	* 10/1990	Cautereels et al. D7/683
D326,033 S	5/1992	Friederichs	
D346,091 S	* 4/1994	Doxey D7/401.2

D397,917 S	9/1998	Gagnon et al.	
D413,762 S	* 9/1999	Cohen et al. D7/395
6,374,500 B2	* 4/2002	Stein et al. 30/342
D480,913 S	* 10/2003	Hughes D7/395
D486,354 S	* 2/2004	Bratton et al. D7/395
D494,008 S	* 8/2004	Prommel et al. D7/395
D497,771 S	* 11/2004	Thomkins D7/395
D520,296 S	* 5/2006	Brownell D7/395

OTHER PUBLICATIONS

Setting the Standard, Smallwares and Light Equipment Catalog, 2003, 4 pages, The Vollrath Company, LLC, Form No. 34567.

* cited by examiner

Primary Examiner—Cathron C. Brooks

Assistant Examiner—Ricky Pham

(74) *Attorney, Agent, or Firm*—Foley & Lardner LLP

(57) **CLAIM**

We claim the ornamental design for a utensil shaft, as shown and described.

DESCRIPTION

FIG. 1 is a top perspective view of a utensil shaft showing our new design;

FIG. 2 is a top plan view thereof;

FIG. 3 is right side elevational view thereof, the left side elevational view being a mirror image of the right side elevational view shown;

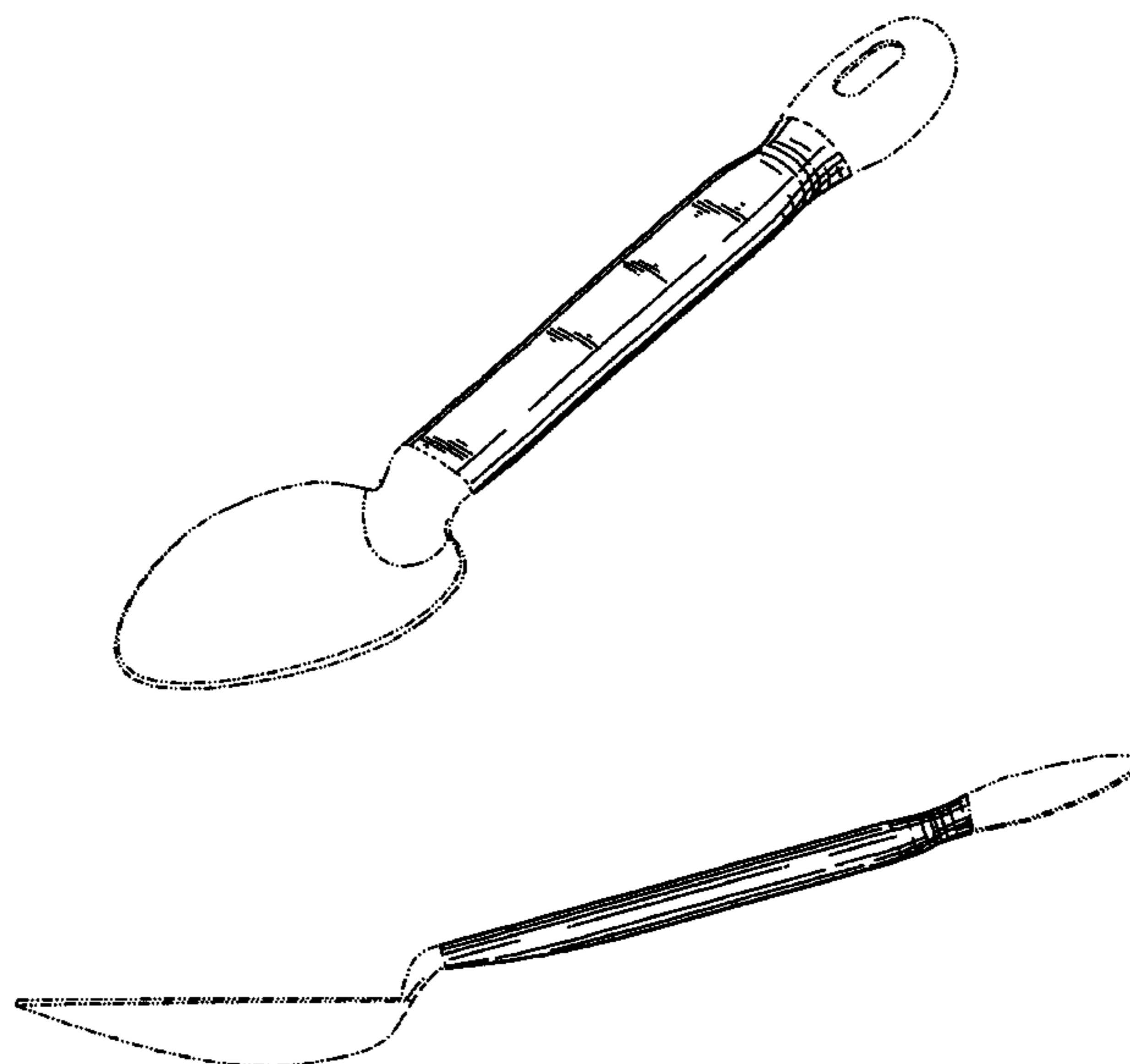
FIG. 4 is a bottom plan view thereof;

FIG. 5 is a front elevational view thereof; and,

FIG. 6 is a rear elevational view thereof.

The ornamental design which is claimed is shown in solid lines in the drawings. The broken lines in the drawings are for illustrative purposes only and form no part of the claimed design.

1 Claim, 3 Drawing Sheets



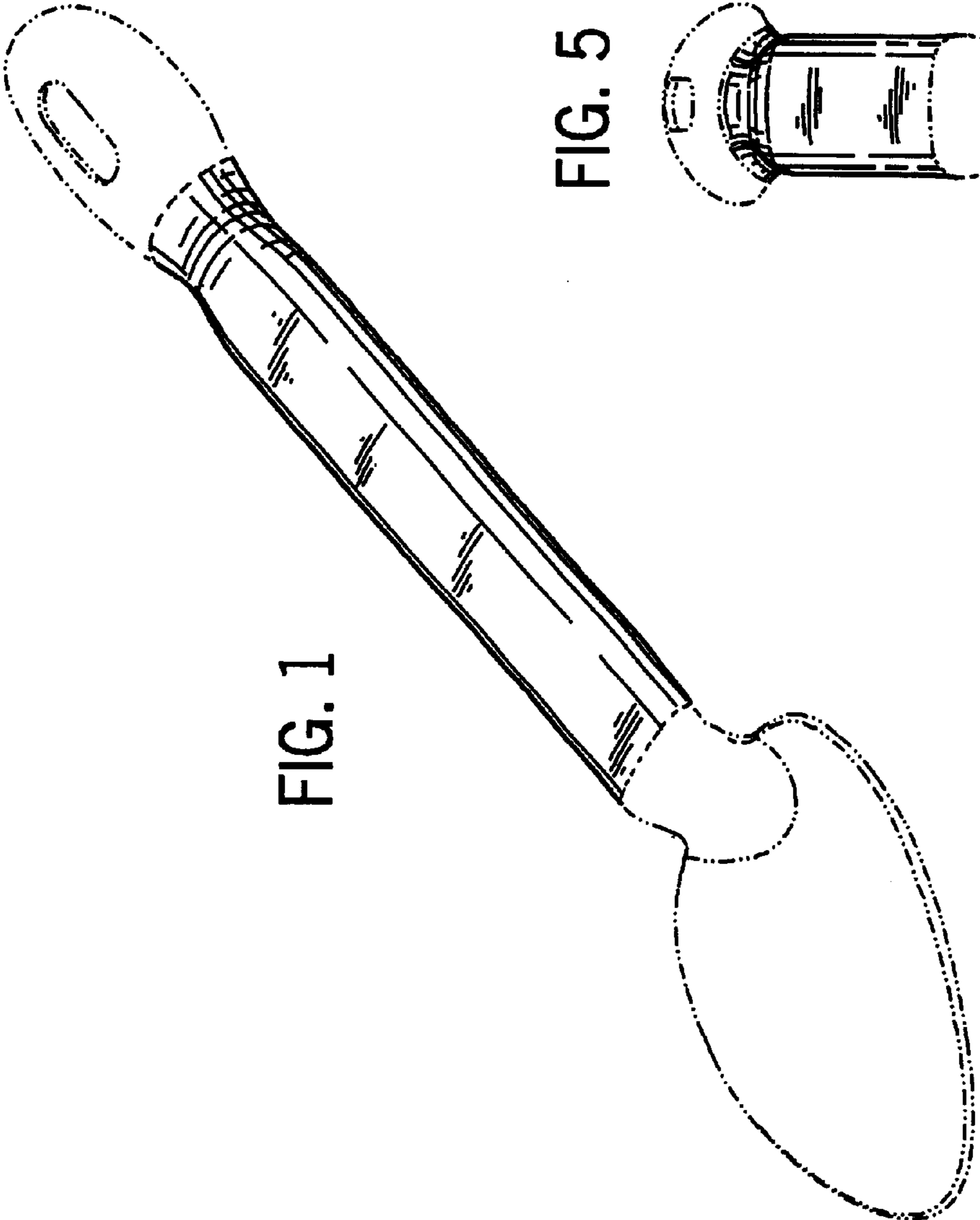


FIG. 1

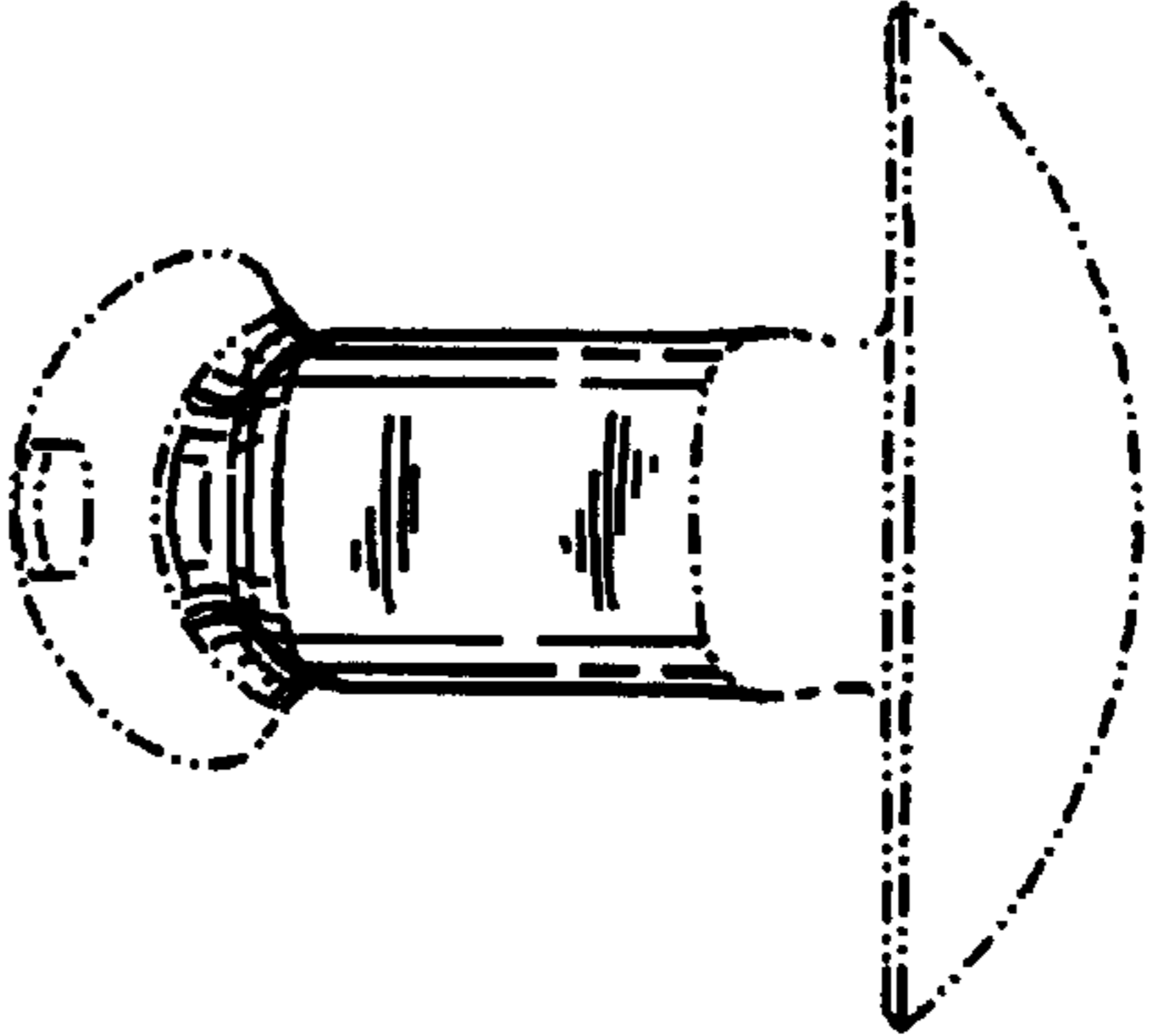


FIG. 5

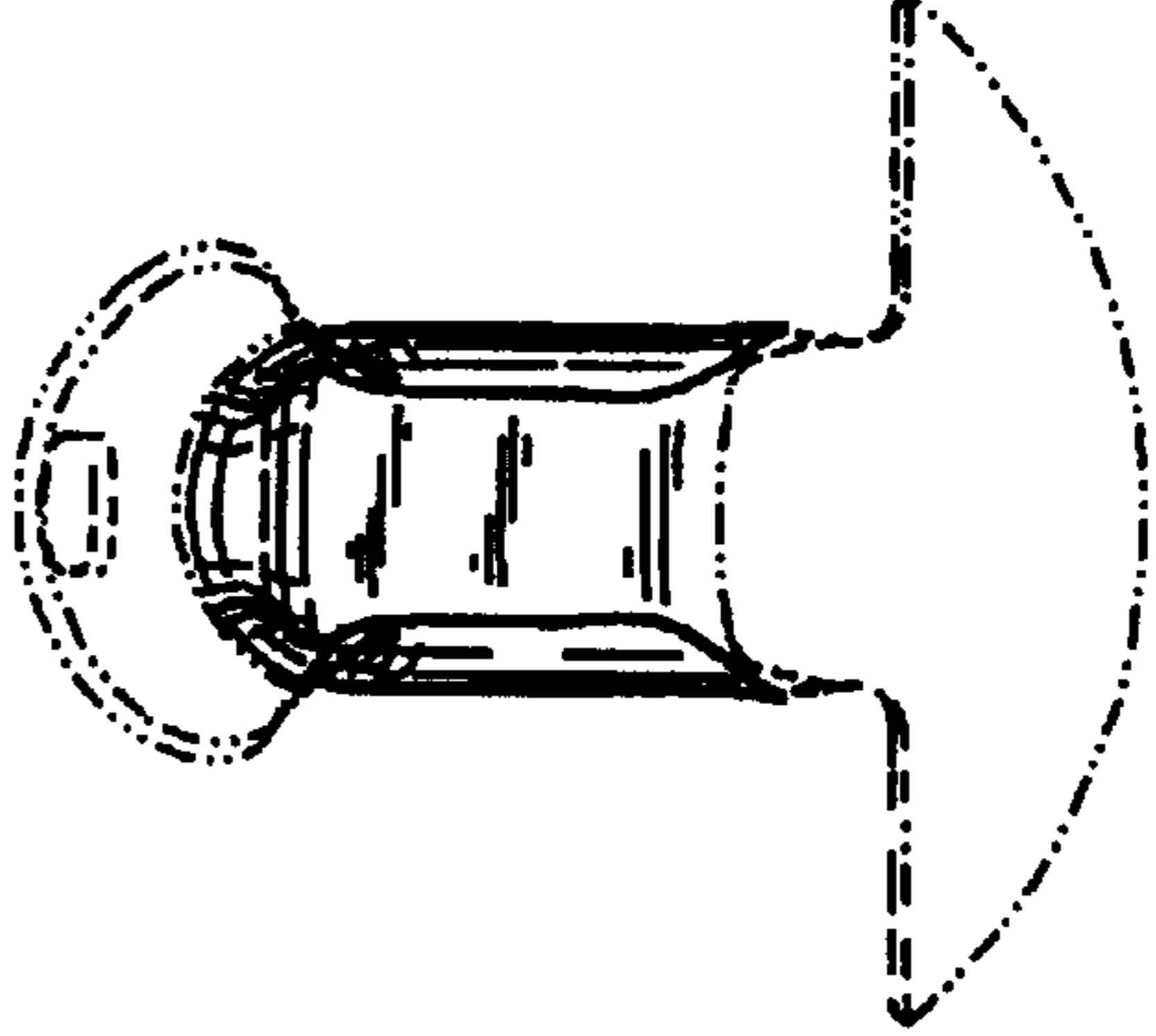


FIG. 6

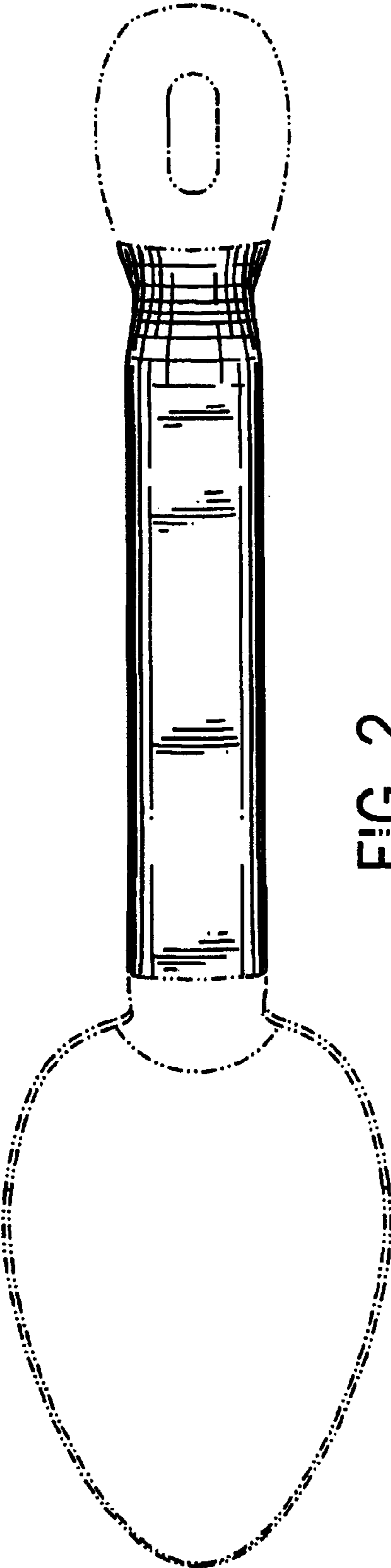


FIG. 2

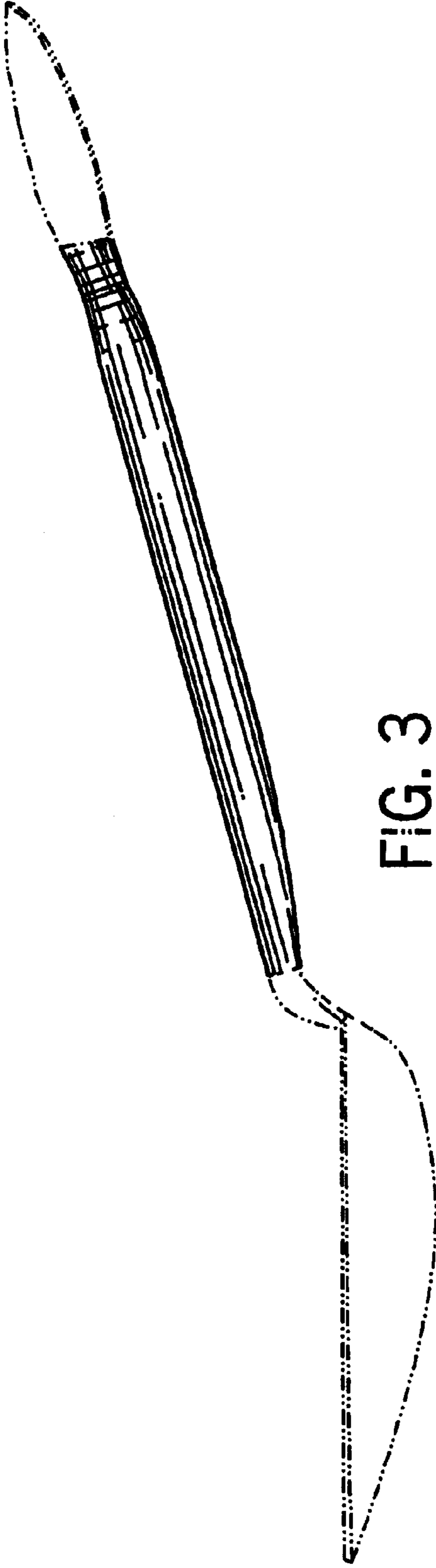


FIG. 3

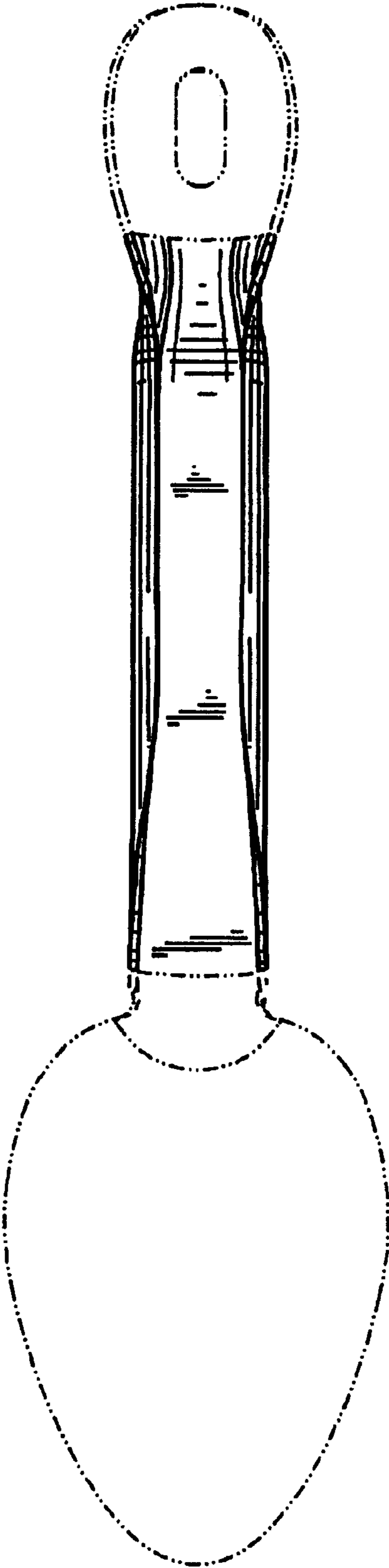


FIG. 4