



US00D536574S

(12) **United States Design Patent** (10) **Patent No.:** **US D536,574 S**
Gates (45) **Date of Patent:** **** Feb. 13, 2007**

(54) **HANDLE**

(76) **Inventor:** **Celia Rowena Fairfax Gates**, Myland
Lodge 301 A Mile end Road, Colchester
(GB), C04 SEA

(**) **Term:** **14 Years**

(21) **Appl. No.:** **29/244,723**

(22) **Filed:** **Dec. 14, 2005**

(30) **Foreign Application Priority Data**

Jun. 14, 2005	(EM)	000359716-0001
Jun. 14, 2005	(EM)	000359716-0002
Jun. 14, 2005	(EM)	000359716-0003
Jun. 14, 2005	(EM)	000359716-0004
Jun. 14, 2005	(EM)	000359716-0005
Jun. 14, 2005	(EM)	000359716-0006
Jun. 14, 2005	(EM)	000359716-0007
Jun. 14, 2005	(EM)	000359716-0008
Jun. 14, 2005	(EM)	000359716-0009
Jun. 14, 2005	(EM)	000359716-0010
Jun. 14, 2005	(EM)	000359716-0011

(51) **LOC (8) Cl.** **07-02**

(52) **U.S. Cl.** **D7/395**

(58) **Field of Classification Search** D7/354-361,
D7/393-395, 401.2; D8/107, 300, 307; D4/138,
D4/129; 16/430, 431, 110.1, 407; 220/573.1-573.5,
220/752, 753, 755, 756, 912

See application file for complete search history.

(56) **References Cited**

U.S. PATENT DOCUMENTS

D298,404 S	*	11/1988	Lemme et al.	D7/393
D407,600 S	*	4/1999	LoGiudice	D7/395
D426,107 S	*	6/2000	Cheng	D7/393
D429,950 S	*	8/2000	Yu et al.	D7/395
D439,108 S	*	3/2001	LoGiudice	D7/395
D497,771 S	*	11/2004	Thomkins	D7/395

* cited by examiner

Primary Examiner—Holly A. Baynham

Assistant Examiner—Cynthia M. Chin

(74) *Attorney, Agent, or Firm*—Lowe Hauptman and
Berner LLP

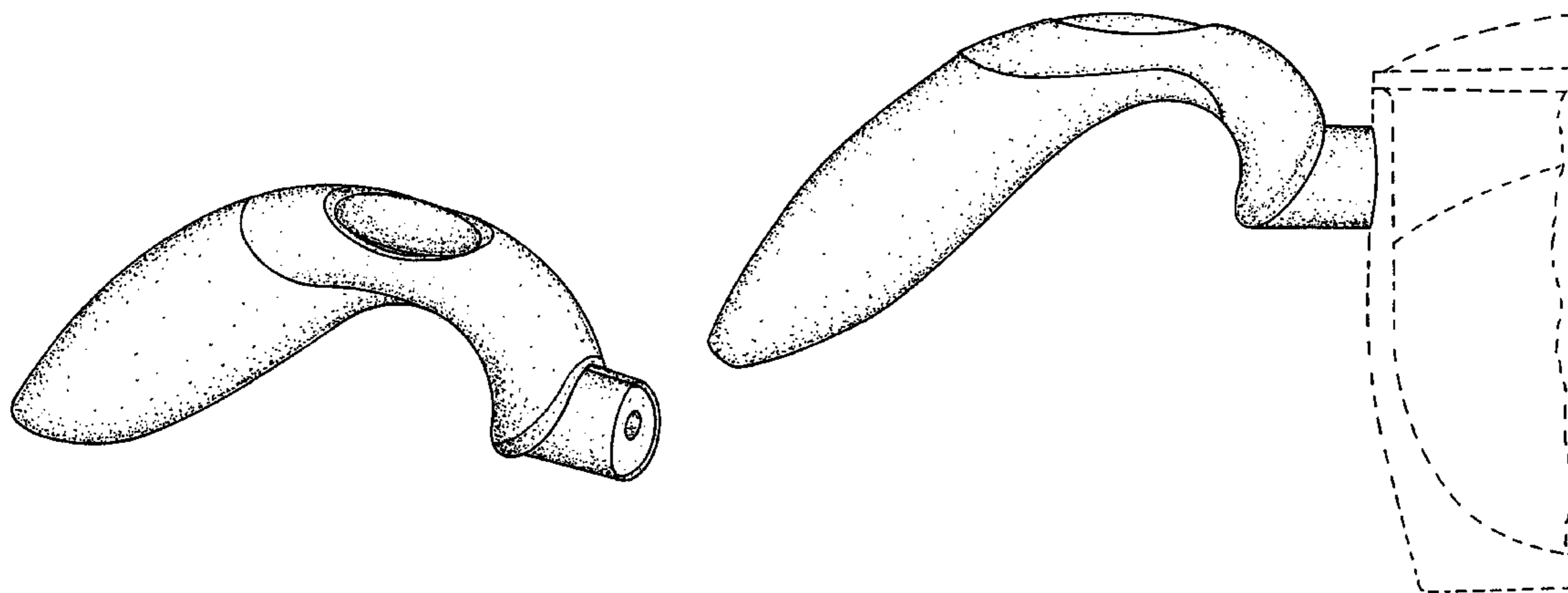
(57) **CLAIM**

I claim the ornamental design for a handle, as shown and
described.

DESCRIPTION

FIG. 1 is a perspective view of the invention;
FIG. 2 is a top view showing the invention;
FIG. 3 is a right side elevation view of the invention and the
left side is a mirror image;
FIG. 4 is a bottom view showing the invention;
FIG. 5 is a front side elevation view of the invention; and,
FIG. 6 is a back side elevation view of the invention.
The broken lines on FIGS. 2-6 are for illustrative purposes
only and form no part of the claimed design.

1 Claim, 3 Drawing Sheets



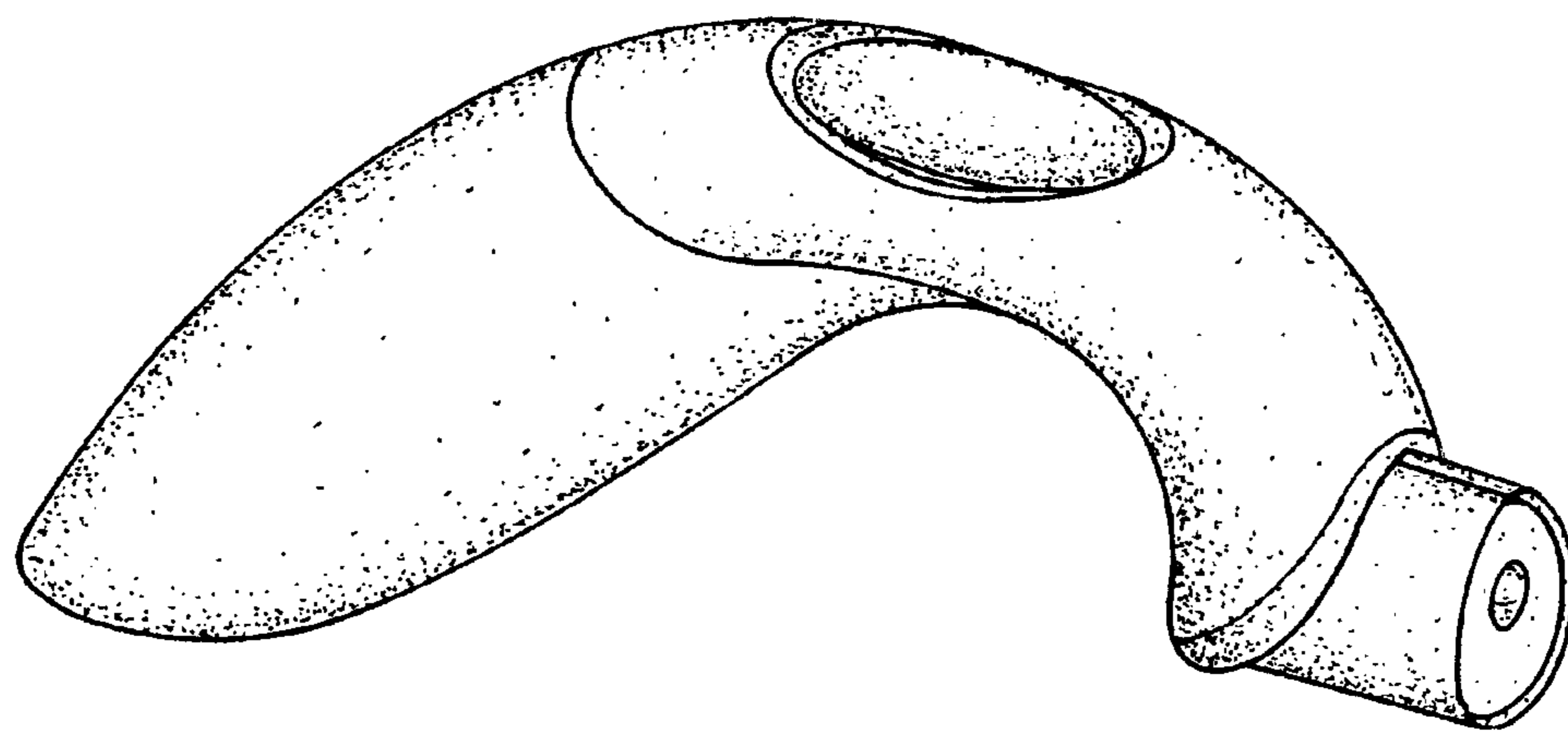


FIG. 1

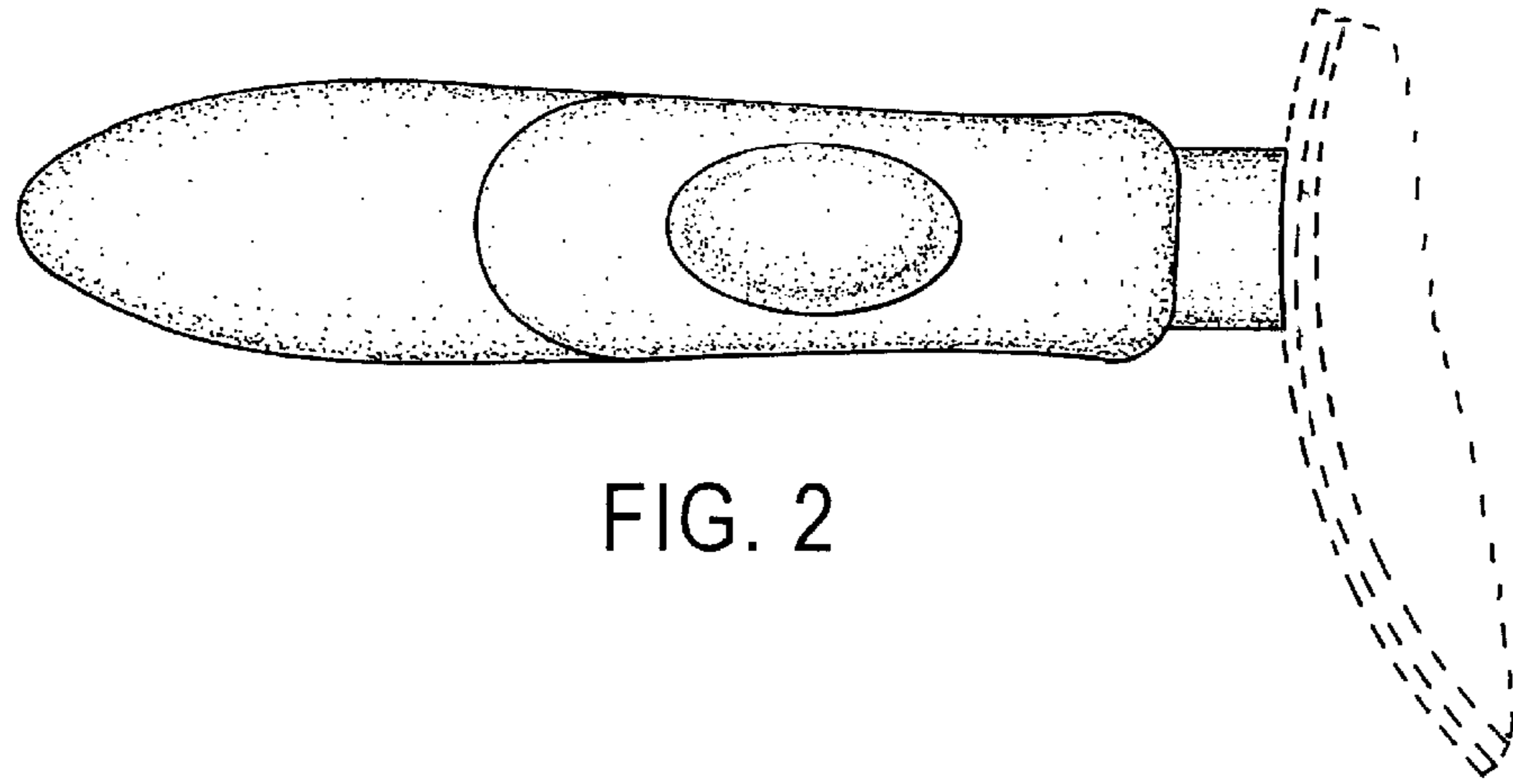


FIG. 2

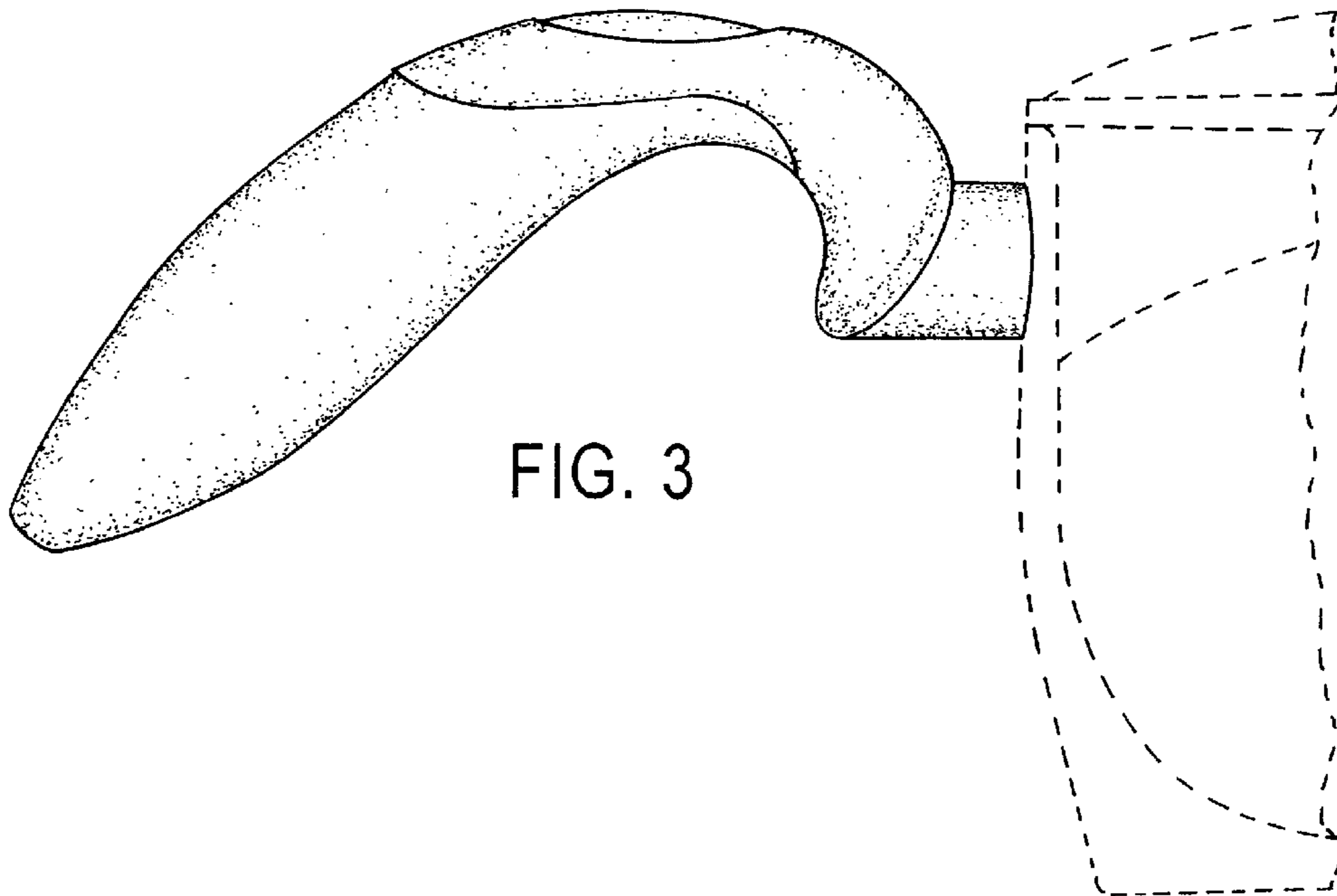


FIG. 3

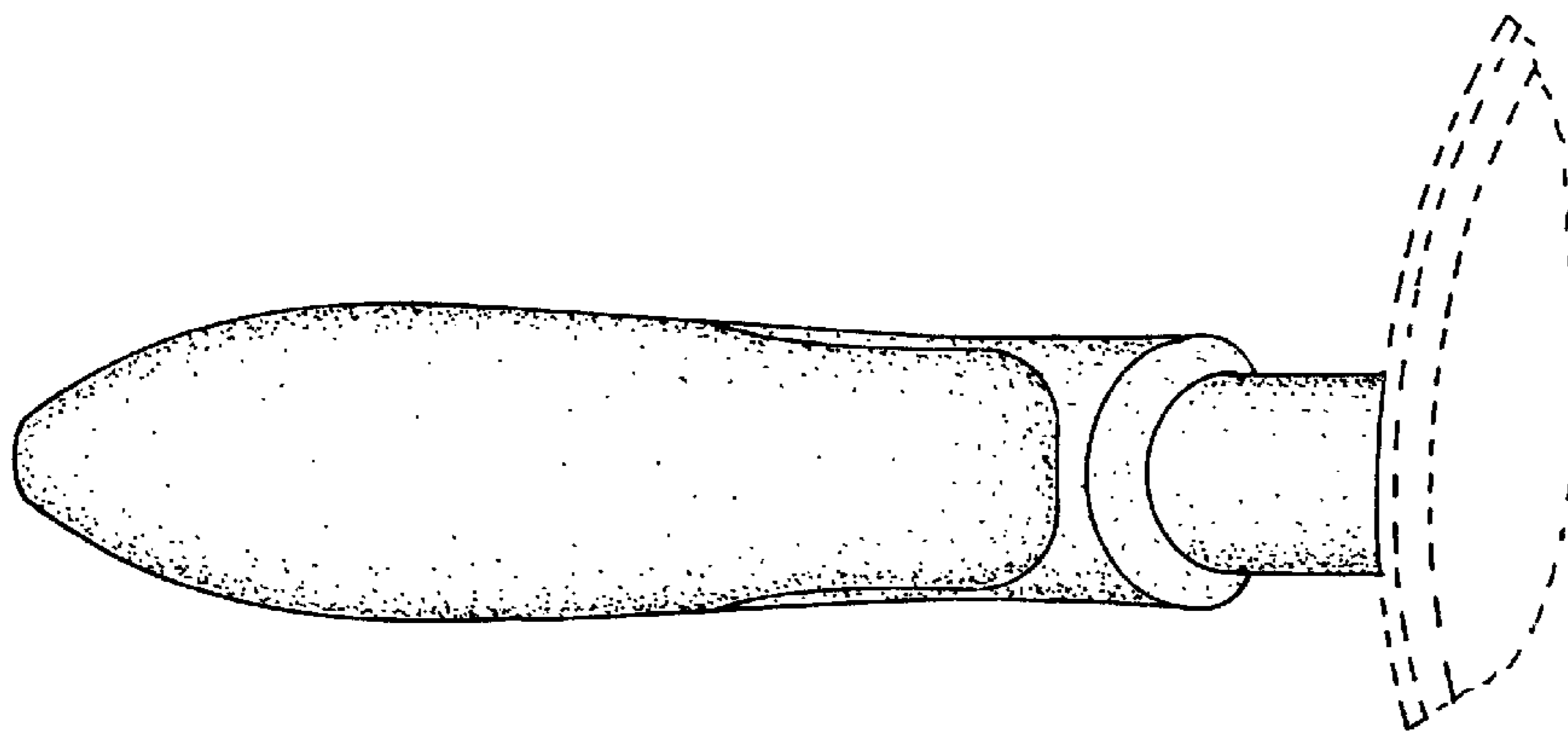


FIG. 4

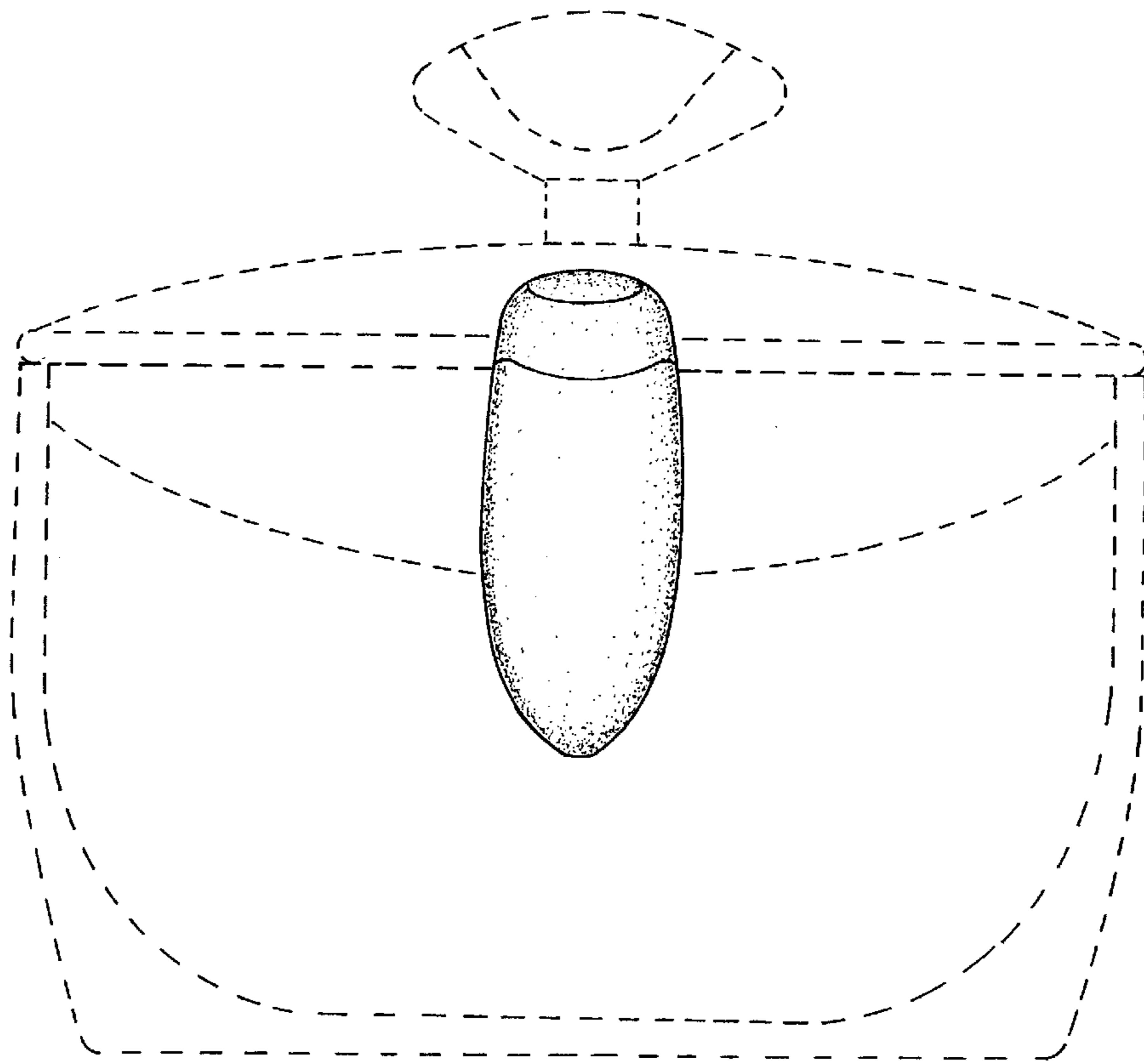


FIG. 5

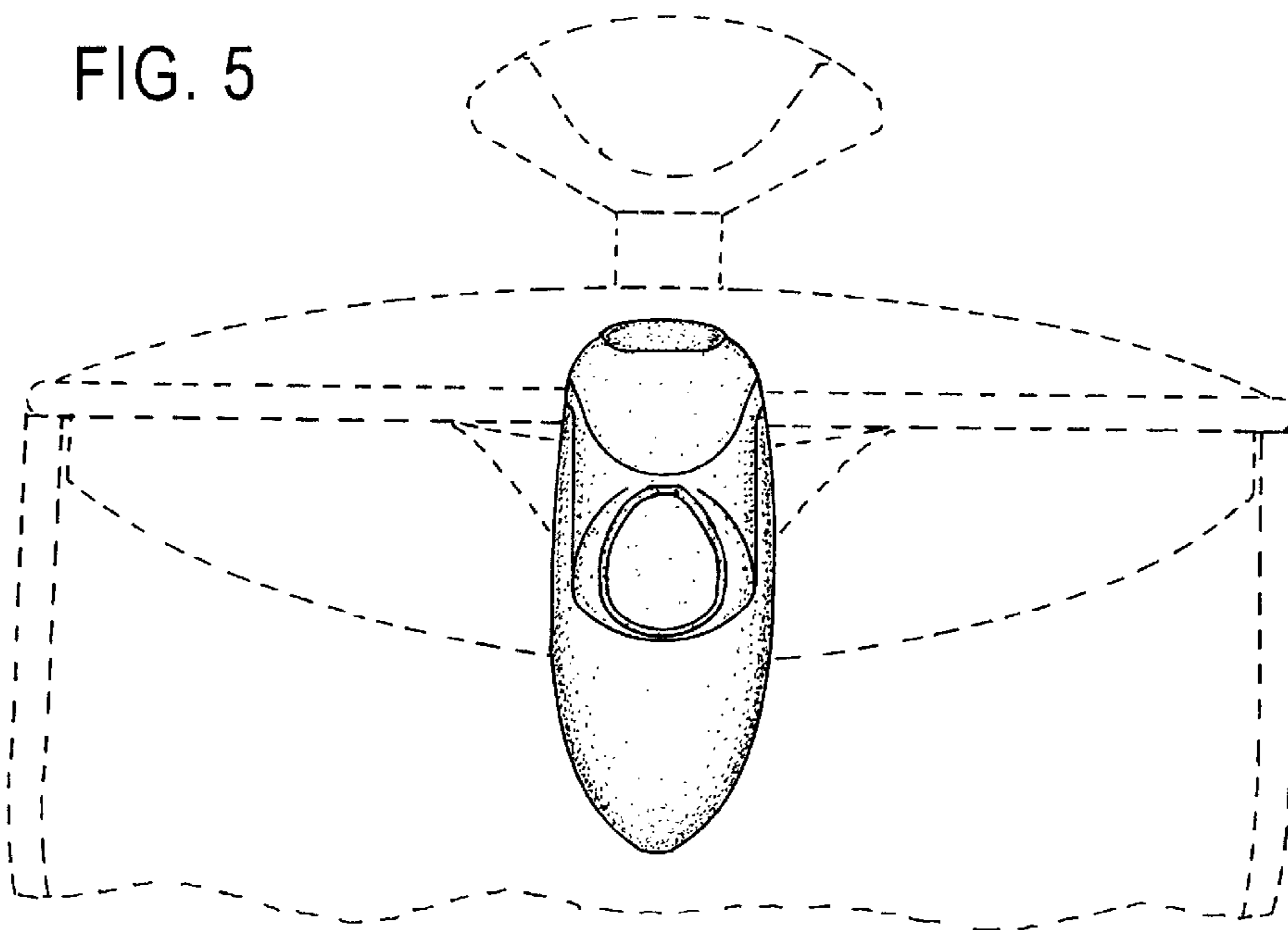


FIG. 6