



US00D536572S

(12) **United States Design Patent**  
**Molayem**

(10) **Patent No.:** **US D536,572 S**

(45) **Date of Patent:** **\*\* Feb. 13, 2007**

(54) **POT COVER**

(75) **Inventor:** **Daryoosh Molayem**, Beverly Hills, CA  
(US)

(73) **Assignee:** **Tabletops Unlimited, Inc.**, Carson, CA  
(US)

(\*\*) **Term:** **14 Years**

(21) **Appl. No.:** **29/244,244**

(22) **Filed:** **Dec. 6, 2005**

(51) **LOC (8) Cl.** ..... **07-02**

(52) **U.S. Cl.** ..... **D7/391**

(58) **Field of Classification Search** ..... D7/323,  
D7/354-361, 391, 393-396, 500; 99/140 R,  
99/324, 339, 345, 424-426, 422, 445; 219/620-622,  
219/725-730; 220/573.1-574, 912; 222/146,  
222/572; D9/454

See application file for complete search history.

(56) **References Cited**

**U.S. PATENT DOCUMENTS**

534,138	A	*	2/1895	Clery	.....	99/347
1,335,645	A	*	3/1920	Benson	.....	220/212
2,510,196	A	*	6/1950	Willette	.....	220/369
2,636,636	A	*	4/1953	Smith	.....	220/369
2,760,672	A	*	8/1956	Cronheim	.....	220/287
D232,511	S	*	8/1974	Heiser	.....	D7/391

4,828,140	A	*	5/1989	Henderson	.....	220/369
D318,975	S	*	8/1991	Thurlow	.....	D7/355
D318,976	S	*	8/1991	Thurlow et al.	.....	D7/355
D368,623	S	*	4/1996	Hacker	.....	D7/391
6,105,811	A	*	8/2000	Alfred	.....	220/369
D480,598	S	*	10/2003	Teisen-Simony et al.	.....	D7/391
6,997,975	B2	*	2/2006	Stefanoni	.....	96/117.5

\* cited by examiner

*Primary Examiner*—Cathron C. Brooks

*Assistant Examiner*—Ricky Pham

(74) *Attorney, Agent, or Firm*—Blakely, Sokoloff, Taylor & Zafman, LLC

(57) **CLAIM**

The ornamental design for a pot cover, as shown and described.

**DESCRIPTION**

FIG. 1 is a perspective view of a pot cover showing my new design;

FIG. 2 is a top view of the pot cover.

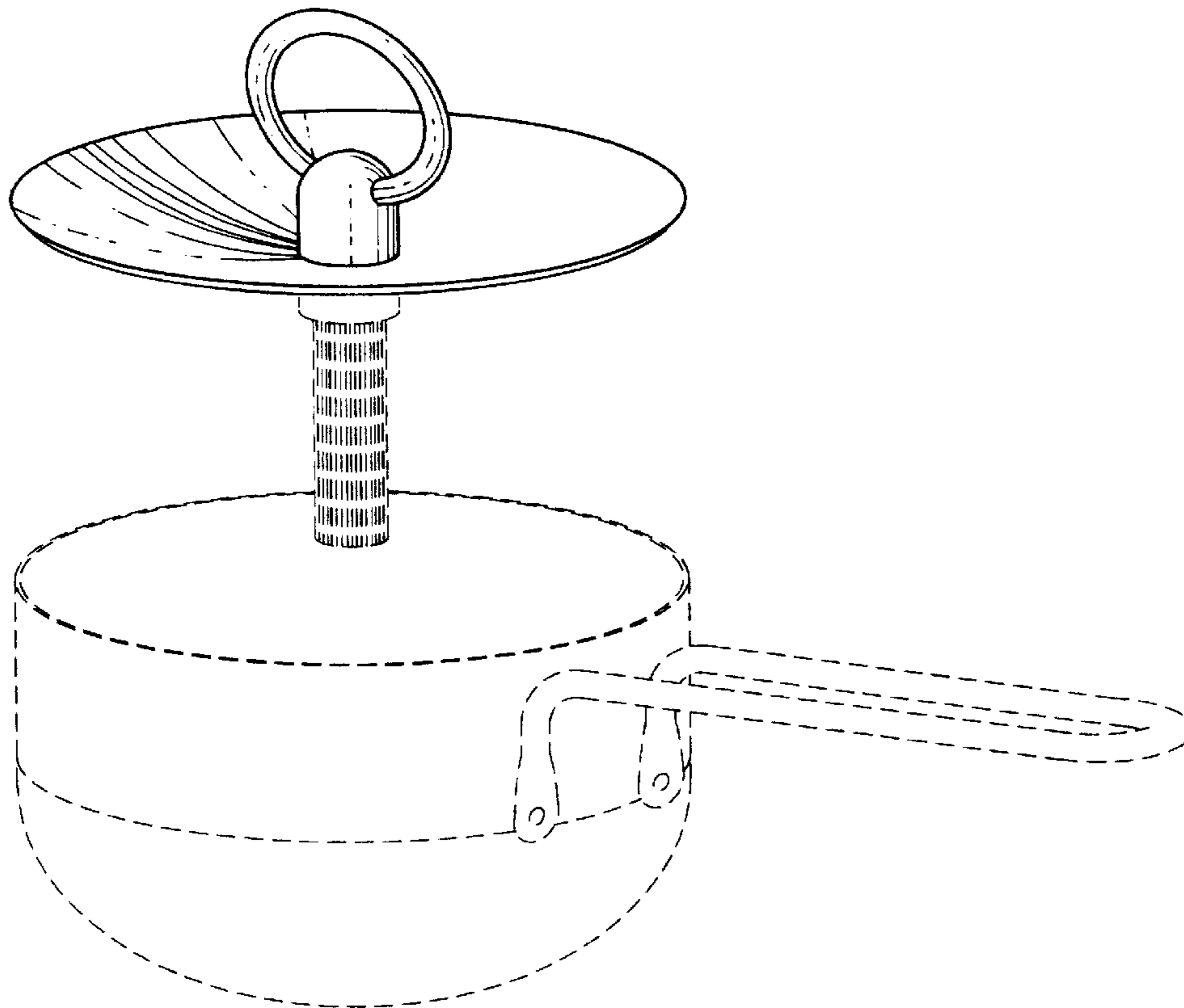
FIG. 3 is a side view of the pot cover.

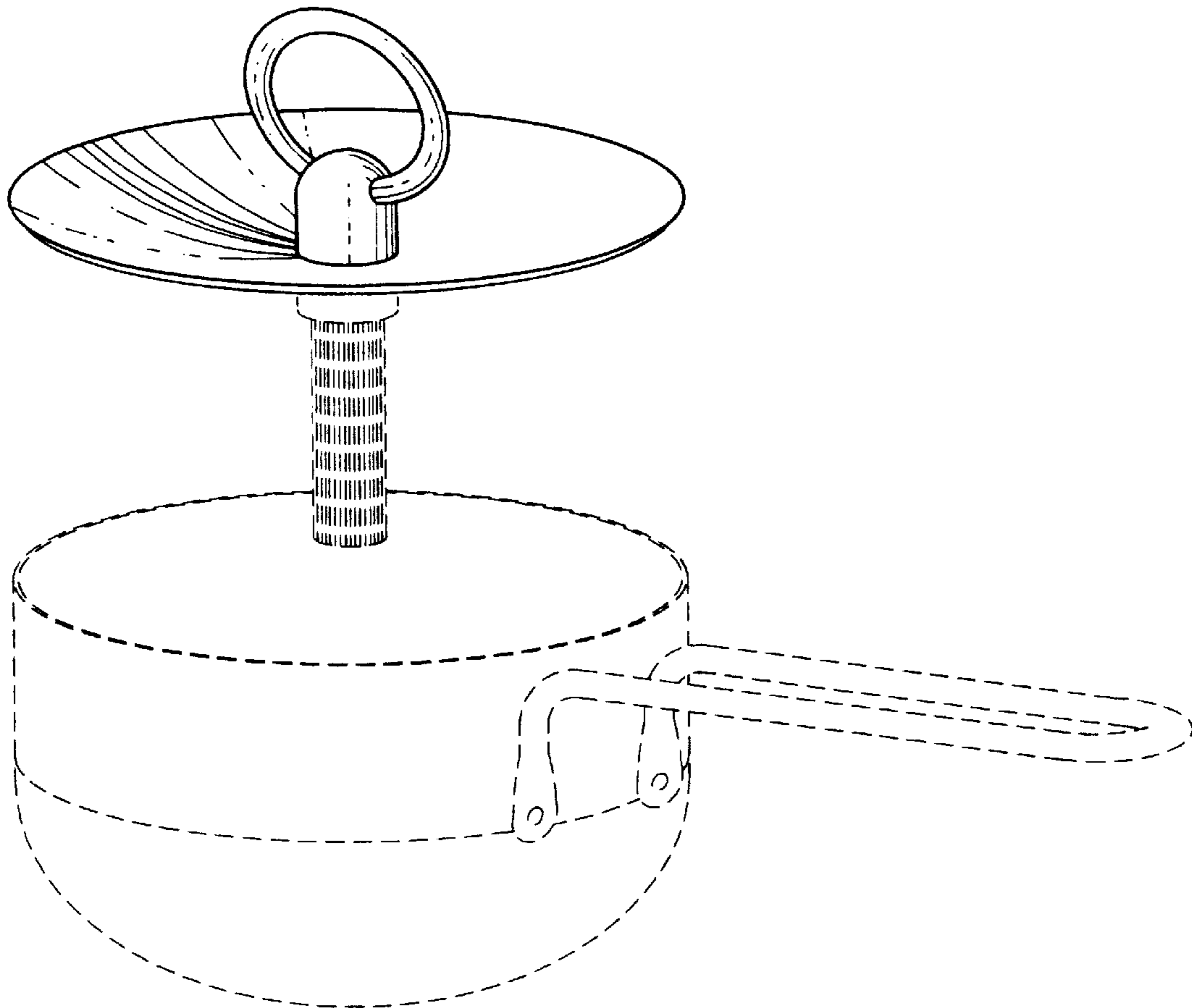
FIG. 4 is a side view of the pot cover rotated 90 degrees with respect to its FIG. 3 orientation; and,

FIG. 5 is a bottom view of the pot cover.

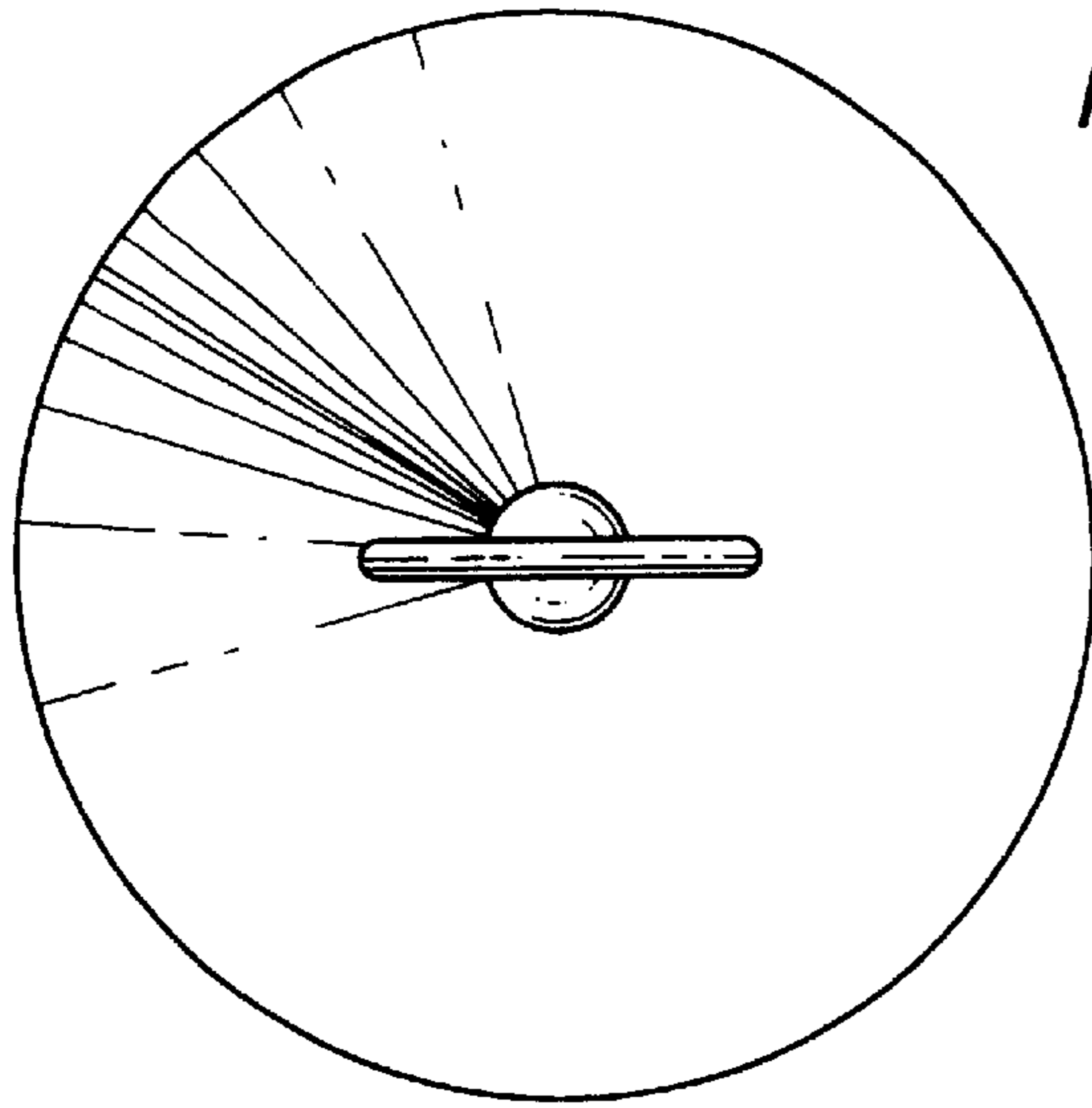
The broken line showing of the brush-type applicator that extends down into the pot, and the pot itself, is for illustrative purposes only and forms no part of the claimed design.

**1 Claim, 2 Drawing Sheets**

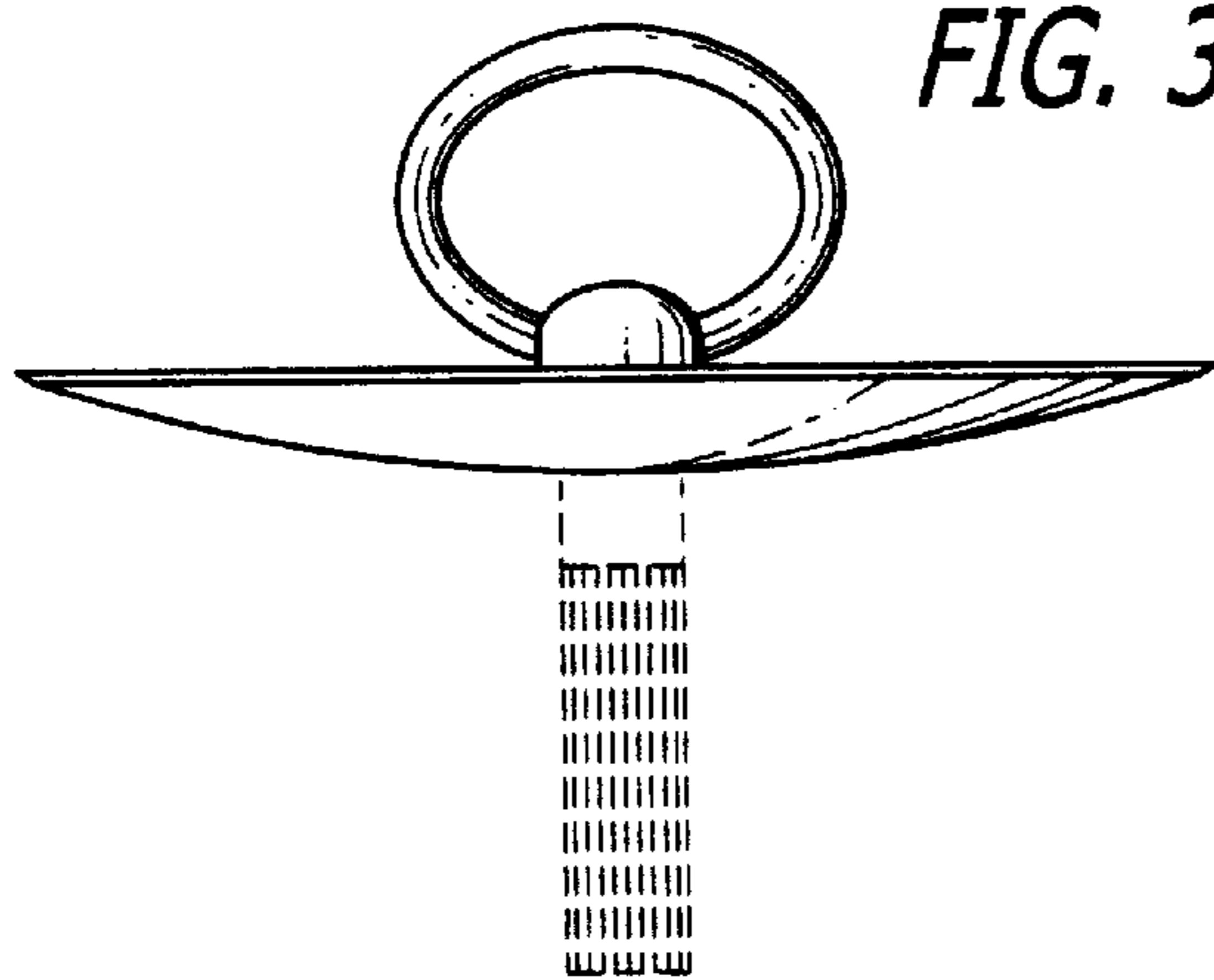




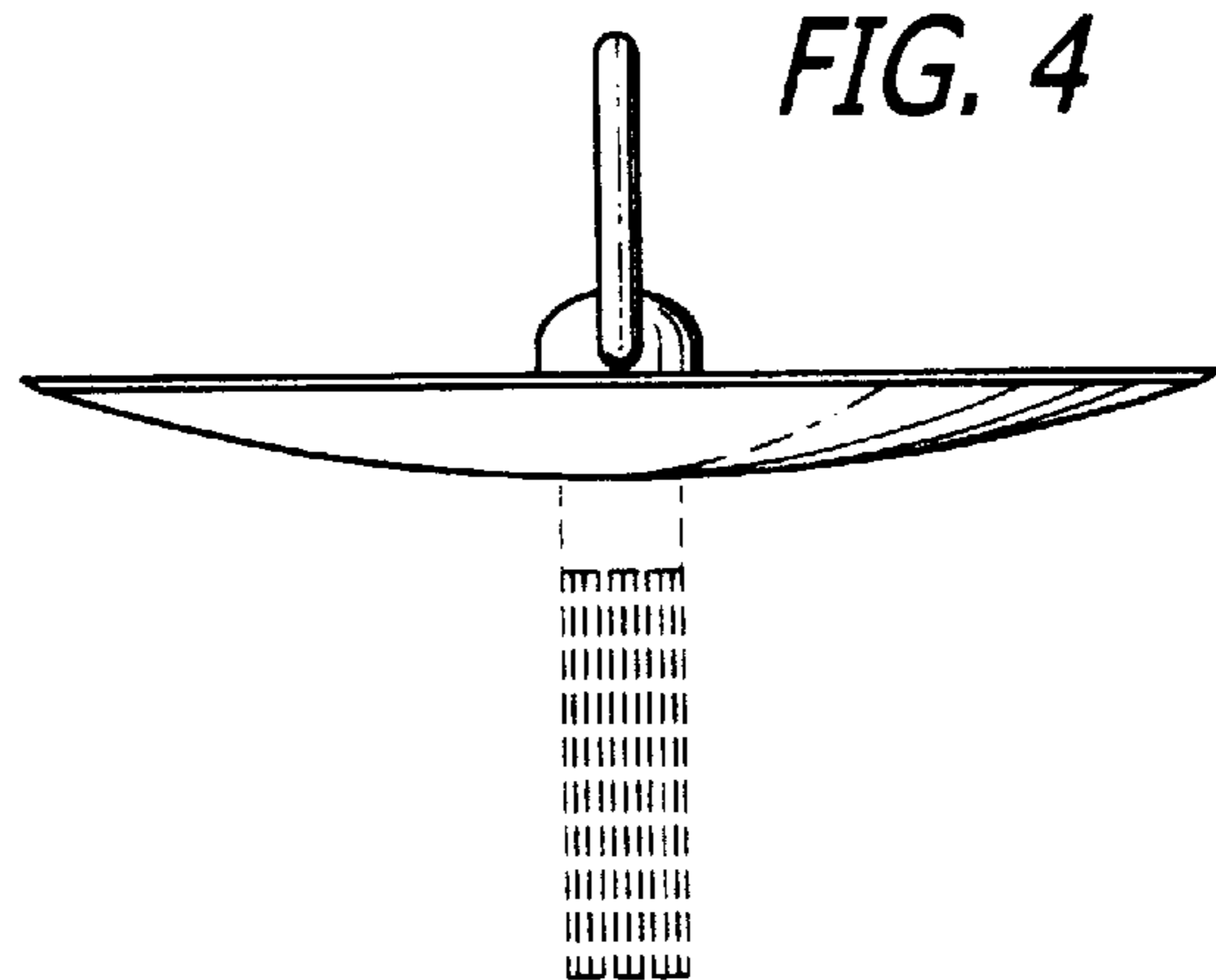
**FIG. 1**



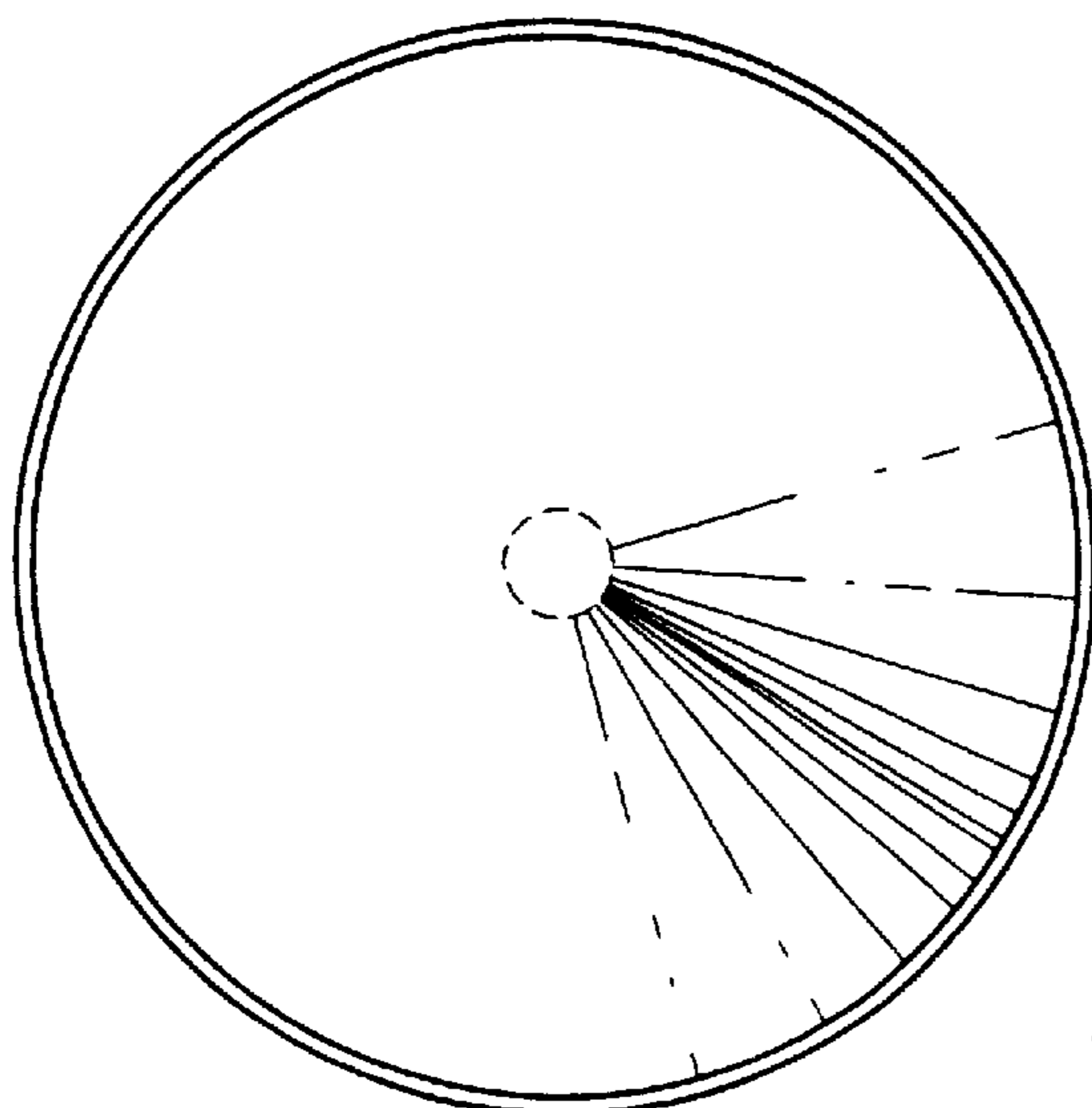
*FIG. 2*



*FIG. 3*



*FIG. 4*



*FIG. 5*