

US00D536569S

(12) **United States Design Patent**
Shin

(10) **Patent No.:** **US D536,569 S**

(45) **Date of Patent:** **** Feb. 13, 2007**

(54) **MICROWAVE OVEN**

(75) Inventor: **Dae Ki Shin**, Seoul (KR)

(73) Assignee: **LG Electronics Inc.**, Seoul (KR)

(**) Term: **14 Years**

(21) Appl. No.: **29/239,990**

(22) Filed: **Oct. 7, 2005**

(30) **Foreign Application Priority Data**

Apr. 9, 2005 (KR) 30-2005-0011771

(51) **LOC (8) Cl.** **07-02**

(52) **U.S. Cl.** **D7/351**

(58) **Field of Classification Search** D7/350.1,
D7/350.3, 350.4, 351, 402, 405; 126/19 M,
126/273 E; 219/739-740, 756-758, 391
See application file for complete search history.

(56) **References Cited**

U.S. PATENT DOCUMENTS

D294,327 S	*	2/1988	Yoo	D7/351
D411,074 S	*	6/1999	Sakai et al.	D7/351
D463,710 S	*	10/2002	Choi	D7/351
D476,521 S	*	7/2003	Fukuda et al.	D7/351
D477,964 S	*	8/2003	Kanza	D7/351

D478,465 S	*	8/2003	Kanza	D7/351
D509,399 S	*	9/2005	Kanza	D7/351
D518,680 S	*	4/2006	Kim	D7/351
D518,681 S	*	4/2006	Shin	D7/351
D521,805 S	*	5/2006	Hessen et al.	D7/405
D522,800 S	*	6/2006	Lee et al.	D7/351
D522,801 S	*	6/2006	Lee	D7/351

* cited by examiner

Primary Examiner—Ruth McInroy

(74) *Attorney, Agent, or Firm*—Birch, Stewart, Kolasch & Birch, LLP

(57) **CLAIM**

I claim the ornamental design for microwave oven, as shown and described.

DESCRIPTION

FIG. 1 is a perspective view of microwave oven showing the new design:

FIG. 2 is a front elevation view thereof;

FIG. 3 is a rear elevation view thereof;

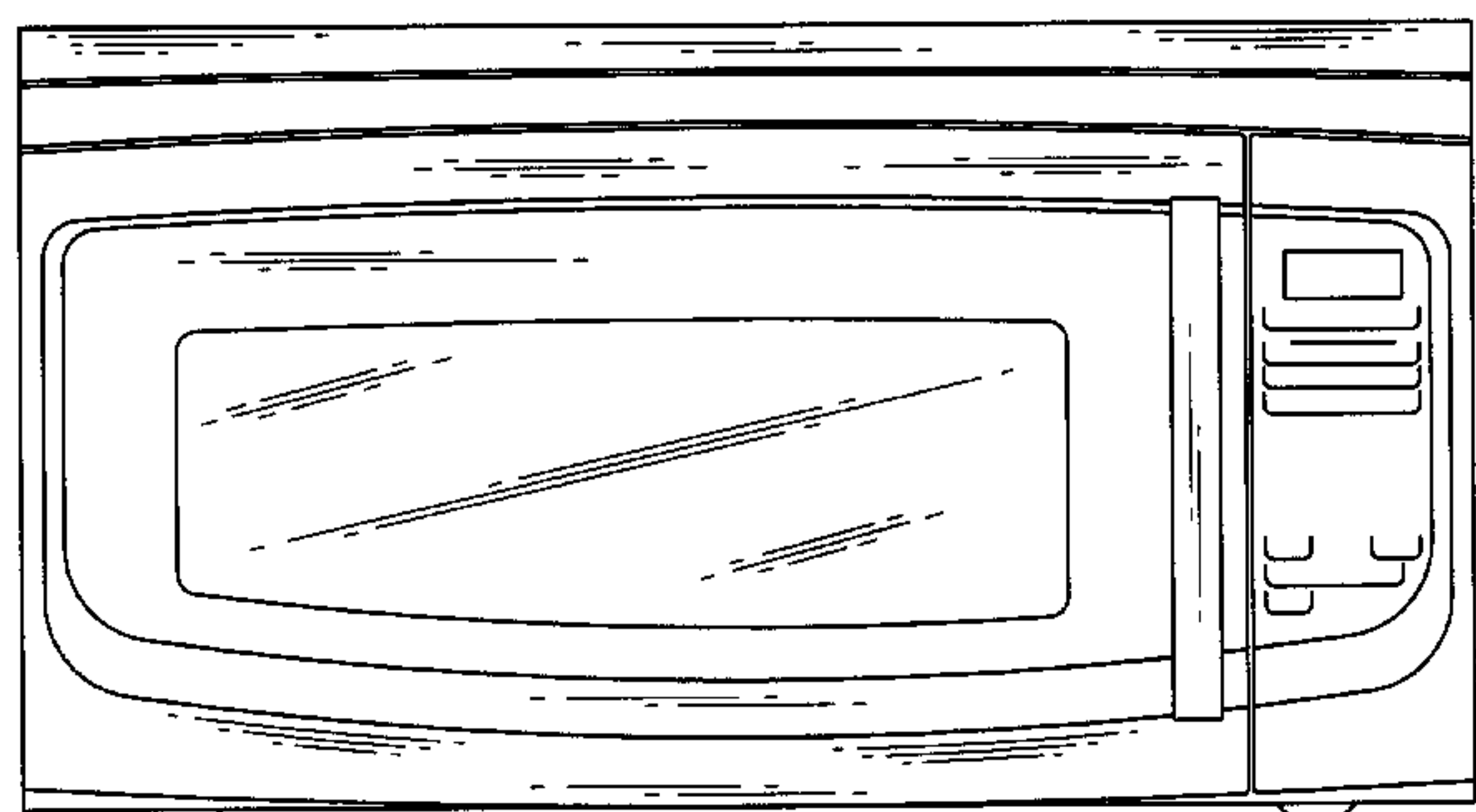
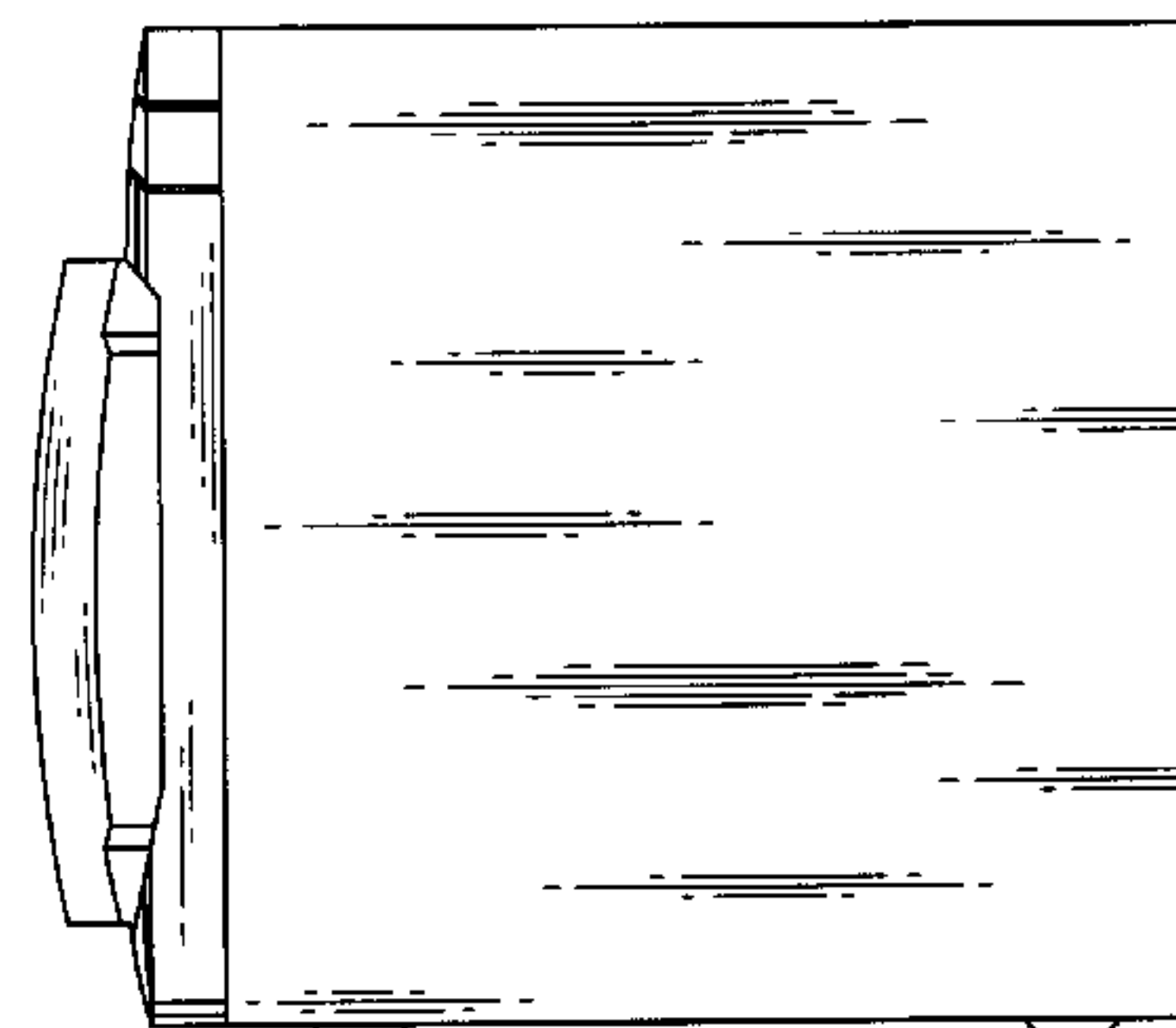
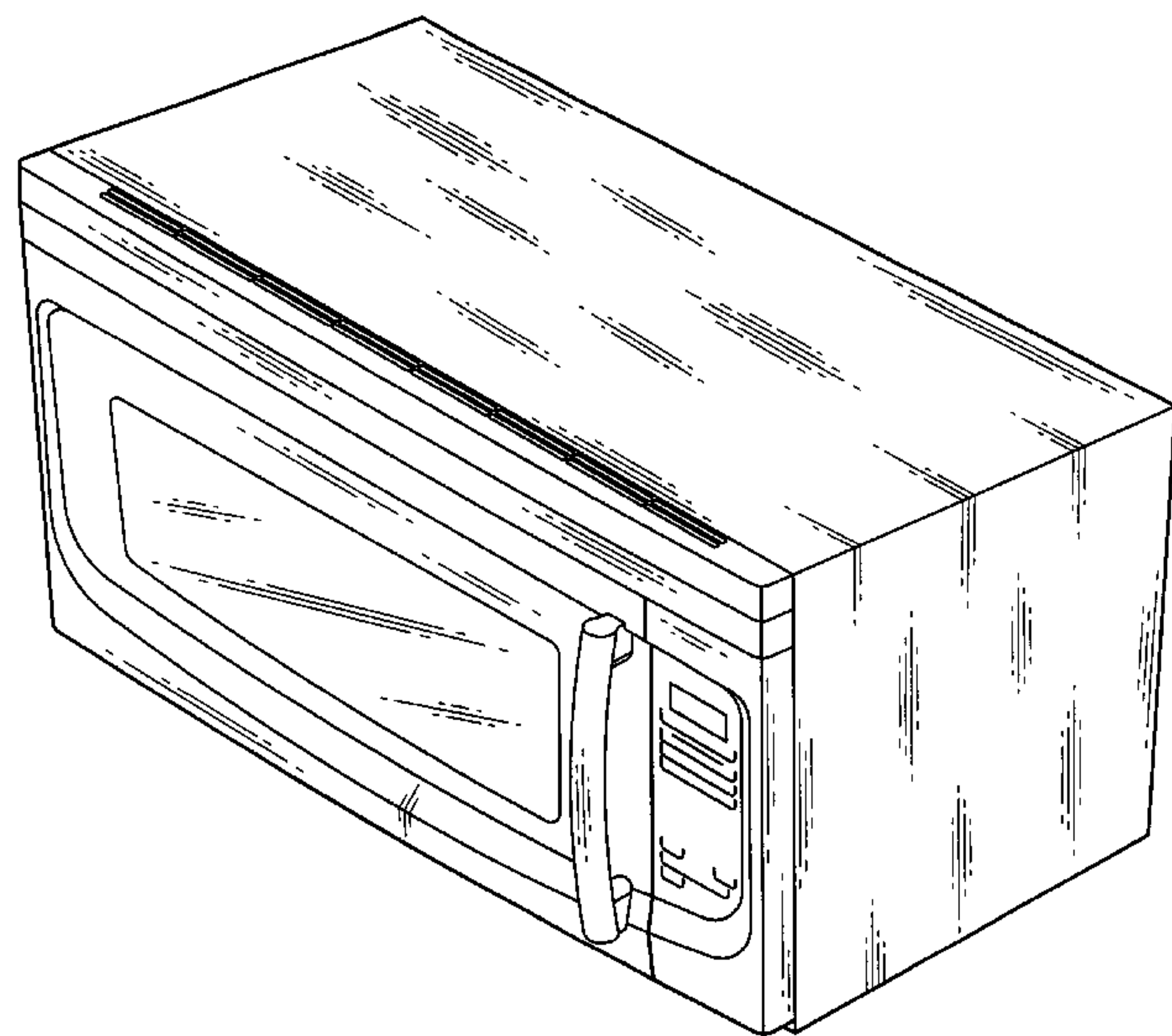
FIG. 4 is a left-side elevation view thereof;

FIG. 5 is a right-side elevation view thereof;

FIG. 6 is a top plan view thereof; and,

FIG. 7 is a bottom plan view thereof.

1 Claim, 4 Drawing Sheets



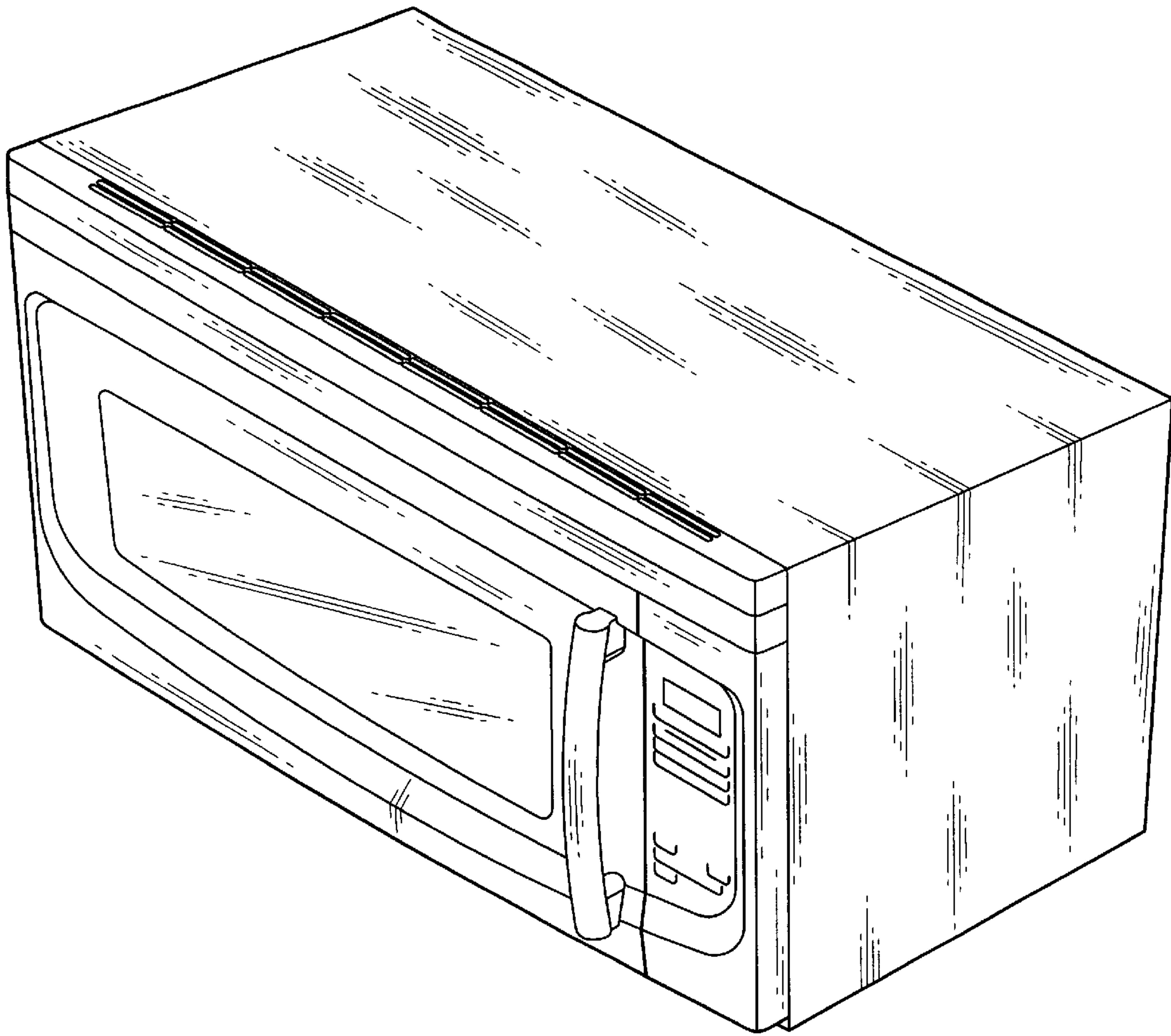


FIG.1

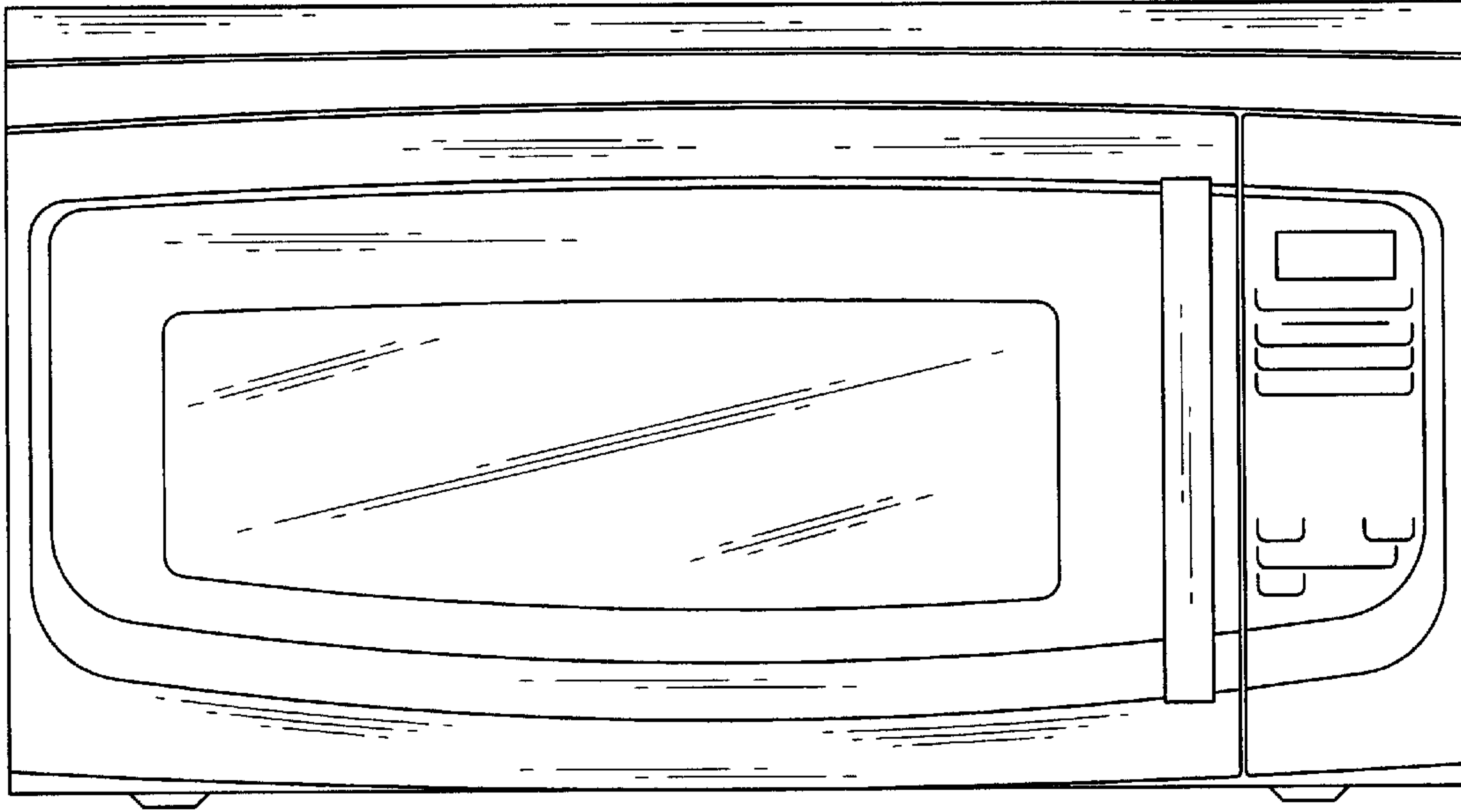


FIG. 2

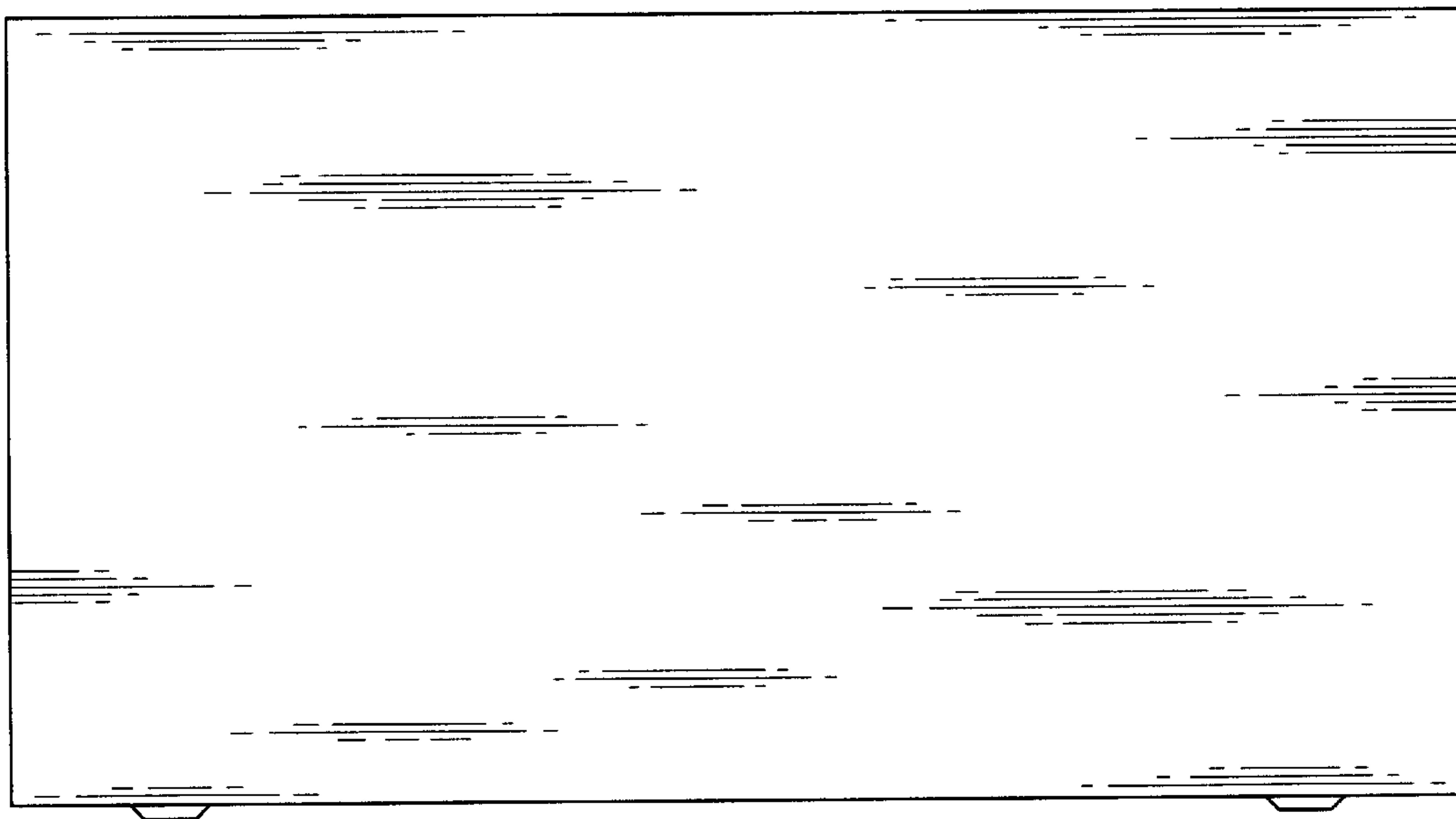


FIG. 3

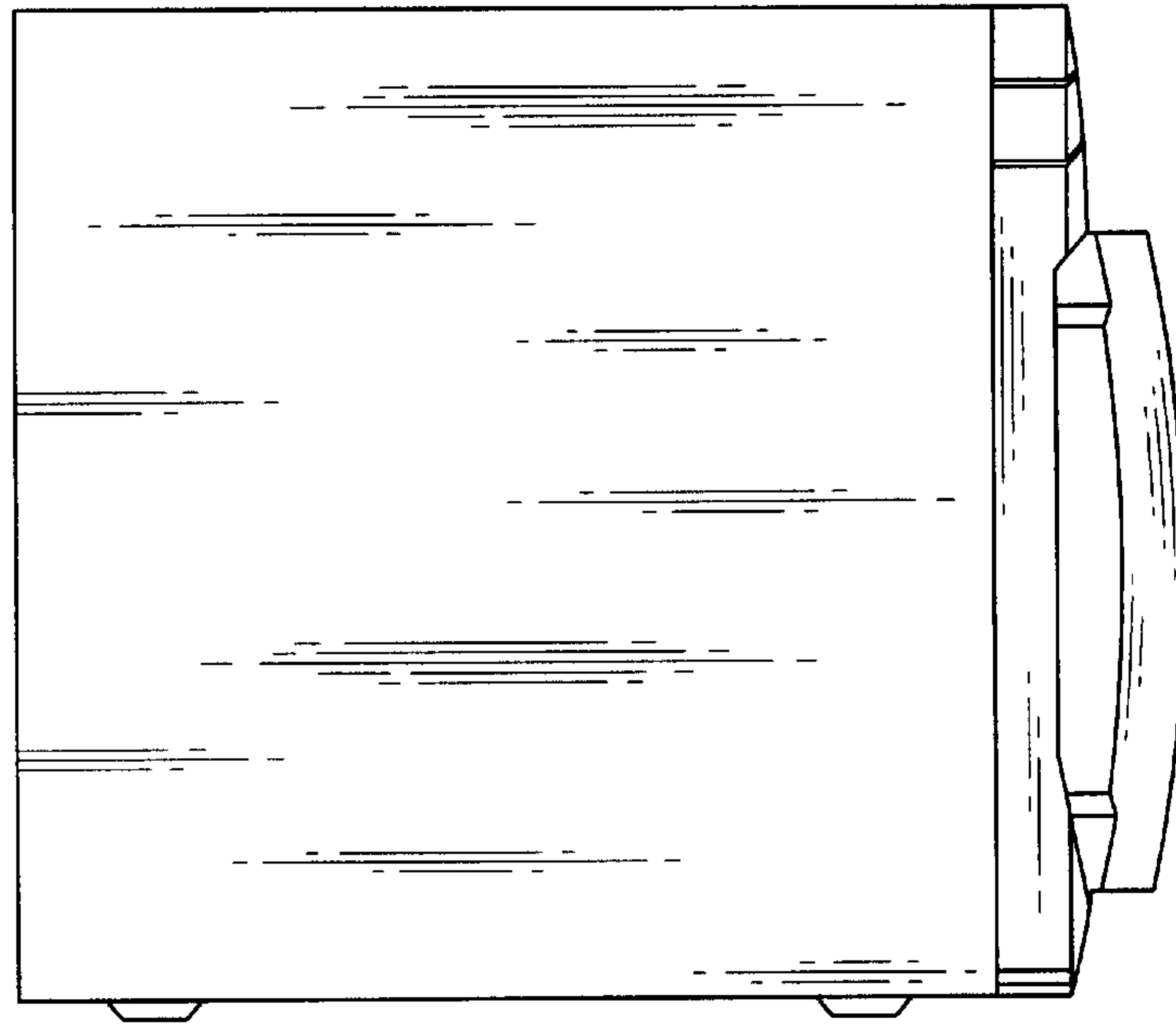


FIG. 4

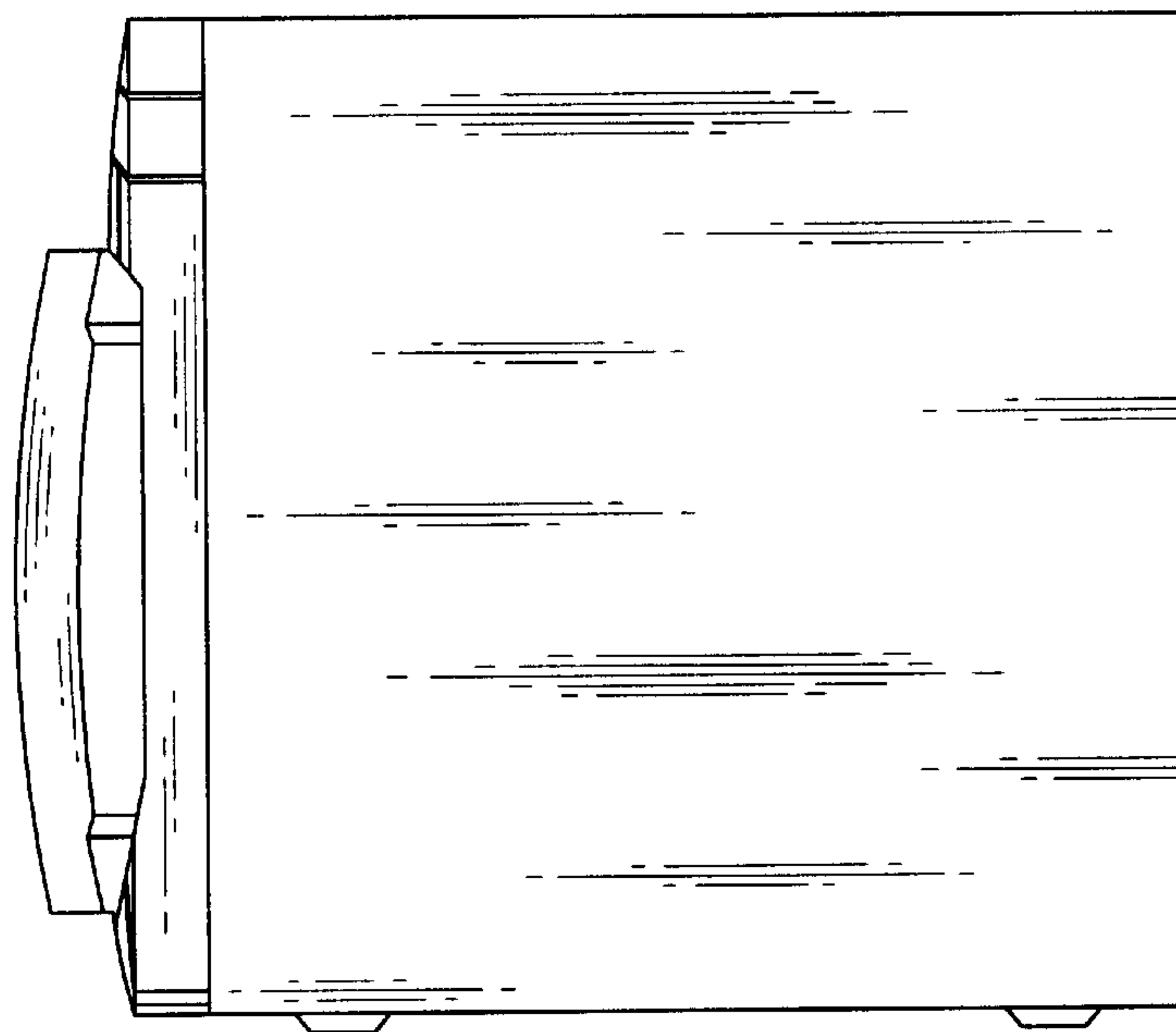


FIG. 5

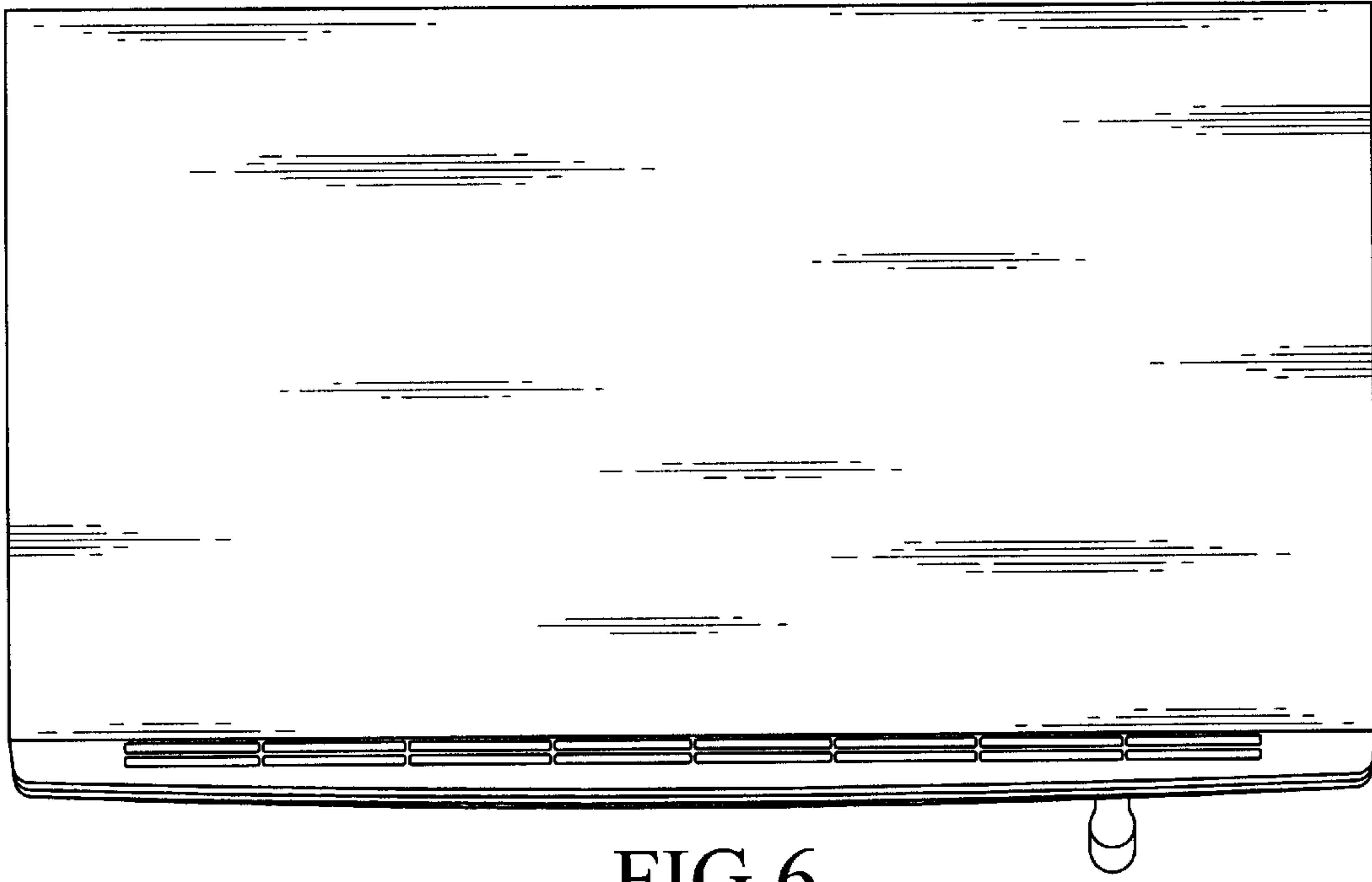


FIG. 6

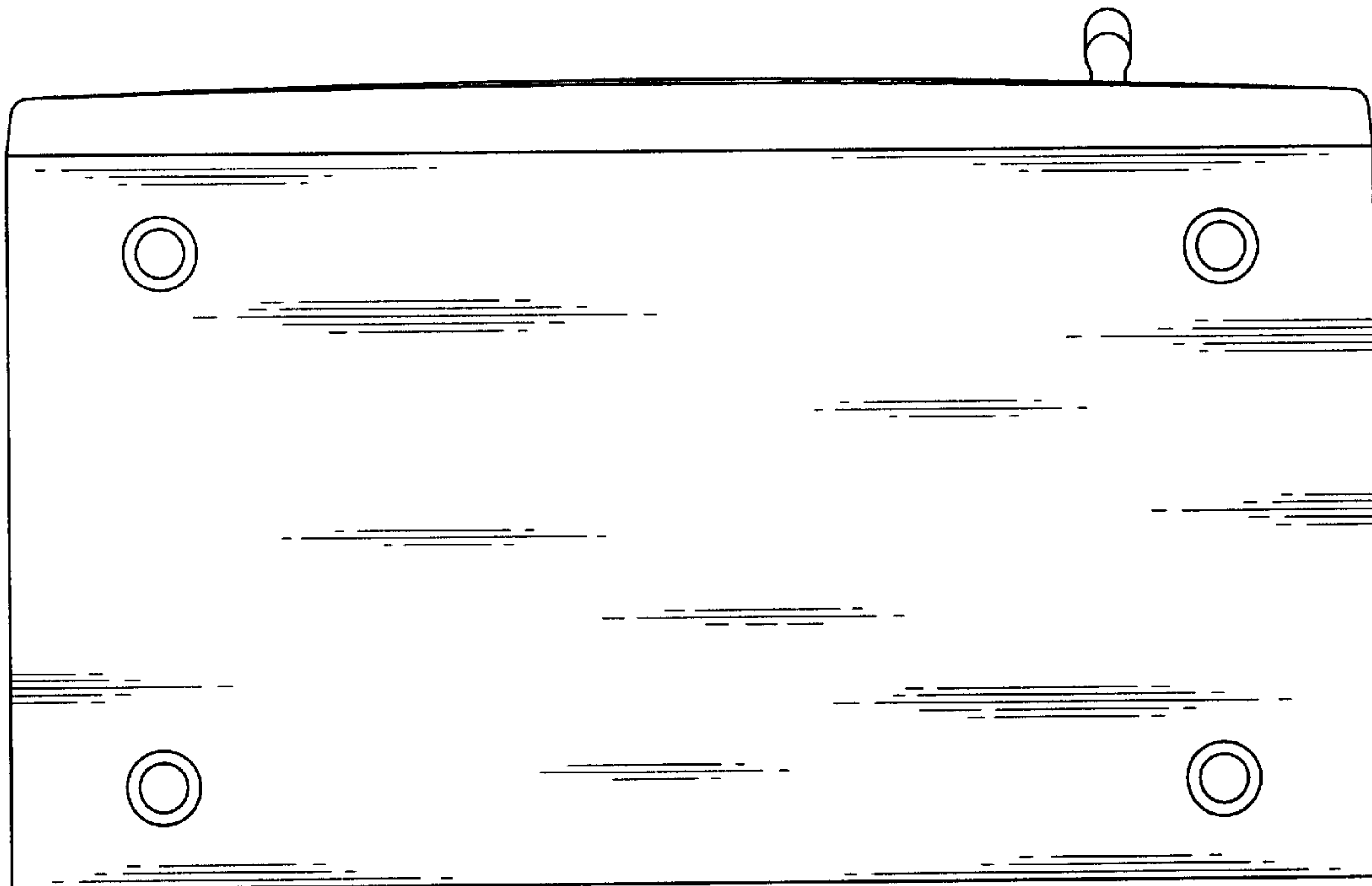


FIG. 7