



US00D536567S

(12) **United States Design Patent**
May et al.

(10) **Patent No.:** **US D536,567 S**

(45) **Date of Patent:** **** Feb. 13, 2007**

(54) **BARBECUE**

(75) Inventors: **Andrew Robert May**, London (GB);
Julian Leslie Meagher, London (GB);
Cameron Bruce William Treeby,
London (GB)

(73) Assignee: **Outback (UK) Limited**, Maidstone
(GB)

(**) Term: **14 Years**

(21) Appl. No.: **29/232,324**

(22) Filed: **Jun. 17, 2005**

(51) **LOC (8) Cl.** **07-02**

(52) **U.S. Cl.** **D7/334**

(58) **Field of Classification Search** D7/332,
D7/334-337, 402-405, 417; 126/25 R, 25 A,
126/25 AA, 25 B, 41 R, 50, 59, 59.5, 37 R,
126/9 R, 9 B, 29-30, 276, 332, 334; 211/215,
211/134-135, 153; 99/481-482, 444; 426/314;
312/236

See application file for complete search history.

(56) **References Cited**

U.S. PATENT DOCUMENTS

D386,937 S * 12/1997 Pai D7/334

D404,963 S * 2/1999 Schlosser et al. D7/334
D426,101 S * 6/2000 Pai D7/334
D466,756 S * 12/2002 Bossler et al. D7/334
D489,221 S * 5/2004 Pai D7/334
D494,004 S * 8/2004 Chapman D7/334
D521,307 S * 5/2006 Parrant et al. D7/334

* cited by examiner

Primary Examiner—Ruth McInroy

(74) *Attorney, Agent, or Firm*—Dowell & Dowell, P.C.

(57) **CLAIM**

The ornamental design for a barbecue, as shown and described.

DESCRIPTION

FIG. 1 is a front perspective view of a barbecue showing our new design;

FIG. 2 is a front elevation view thereof;

FIG. 3 is a rear elevation view thereof;

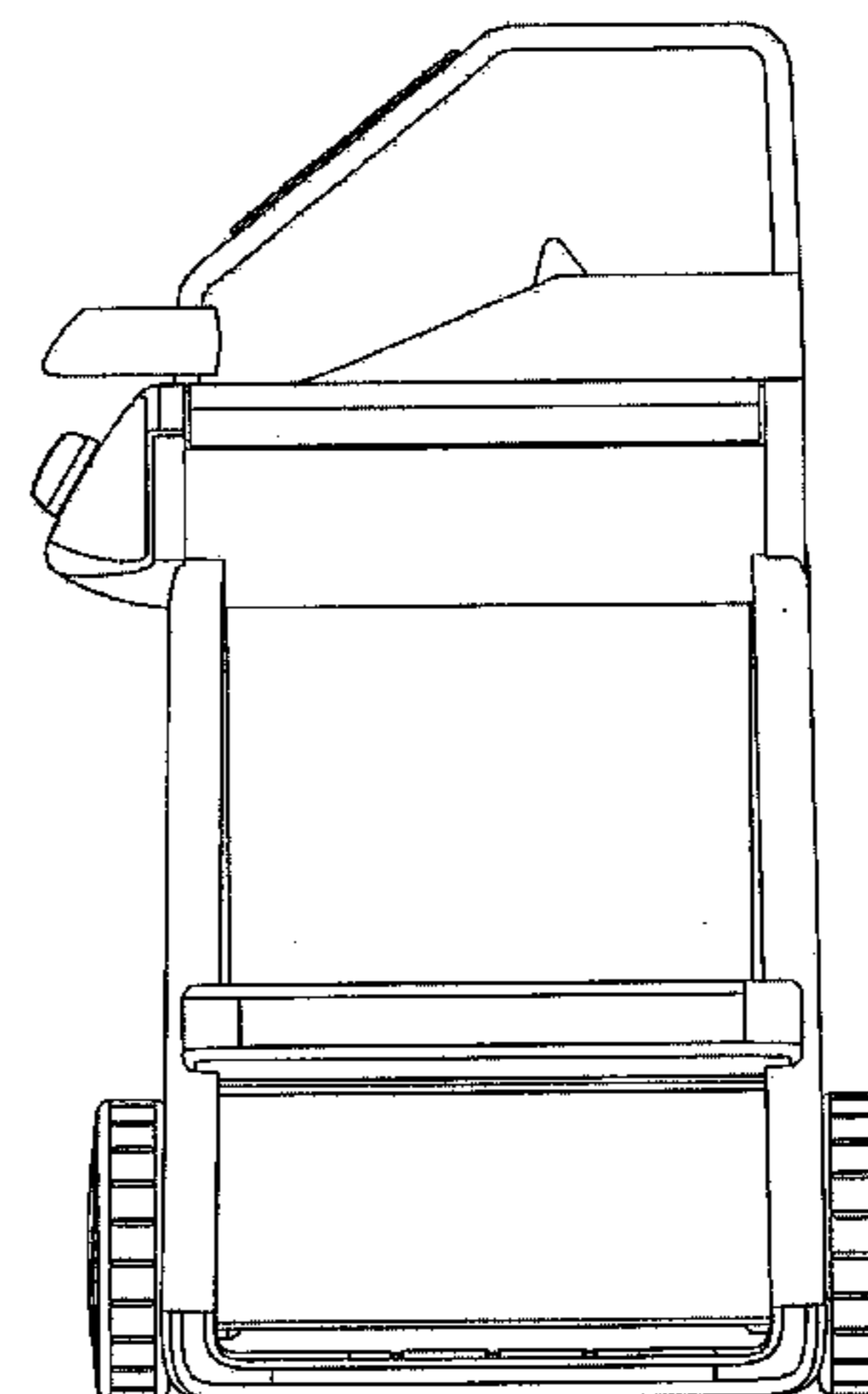
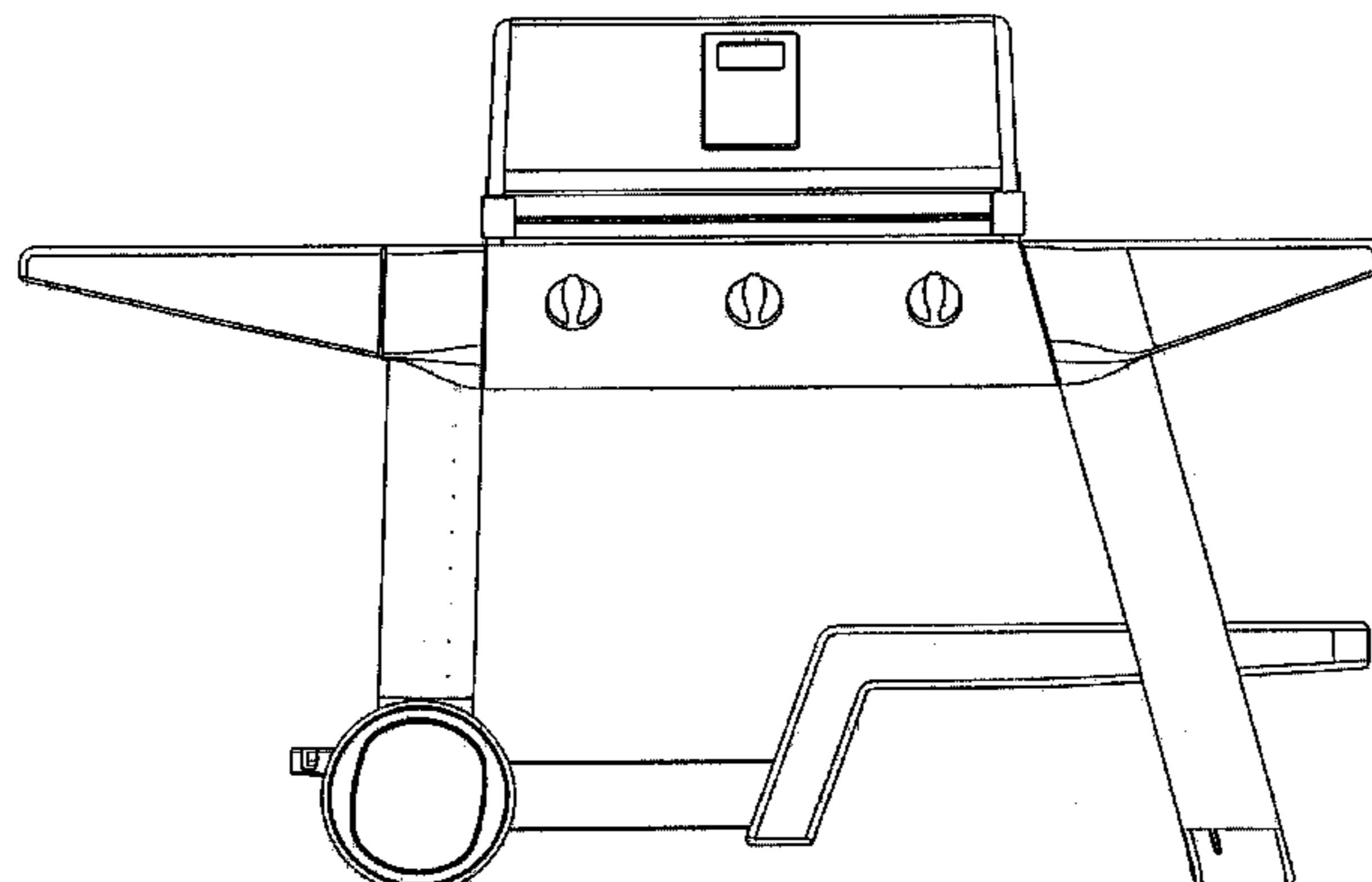
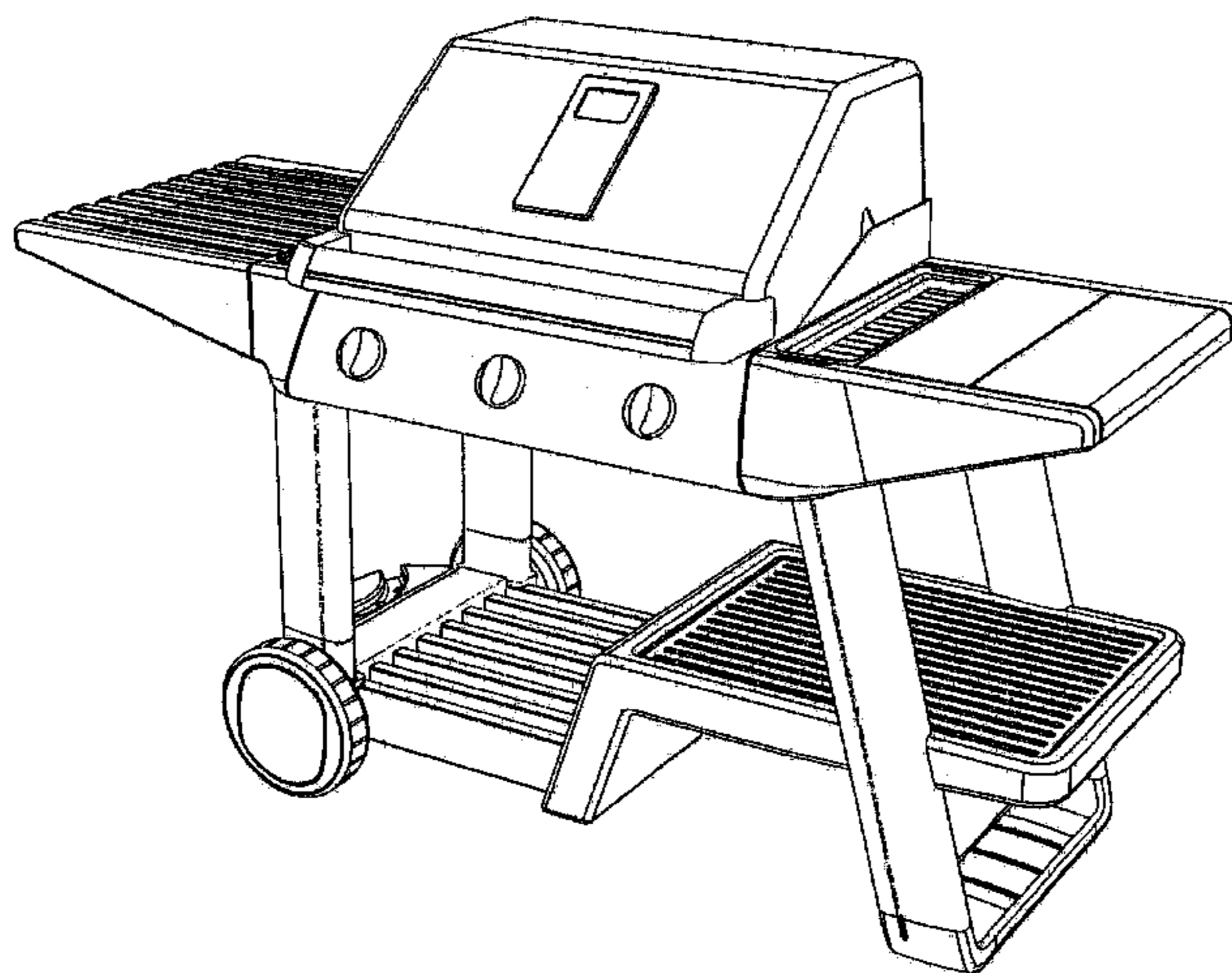
FIG. 4 is a bottom plan view thereof;

FIG. 5 is a top plan view thereof;

FIG. 6 is a right side view thereof; and,

FIG. 7 is a left side view thereof.

1 Claim, 7 Drawing Sheets



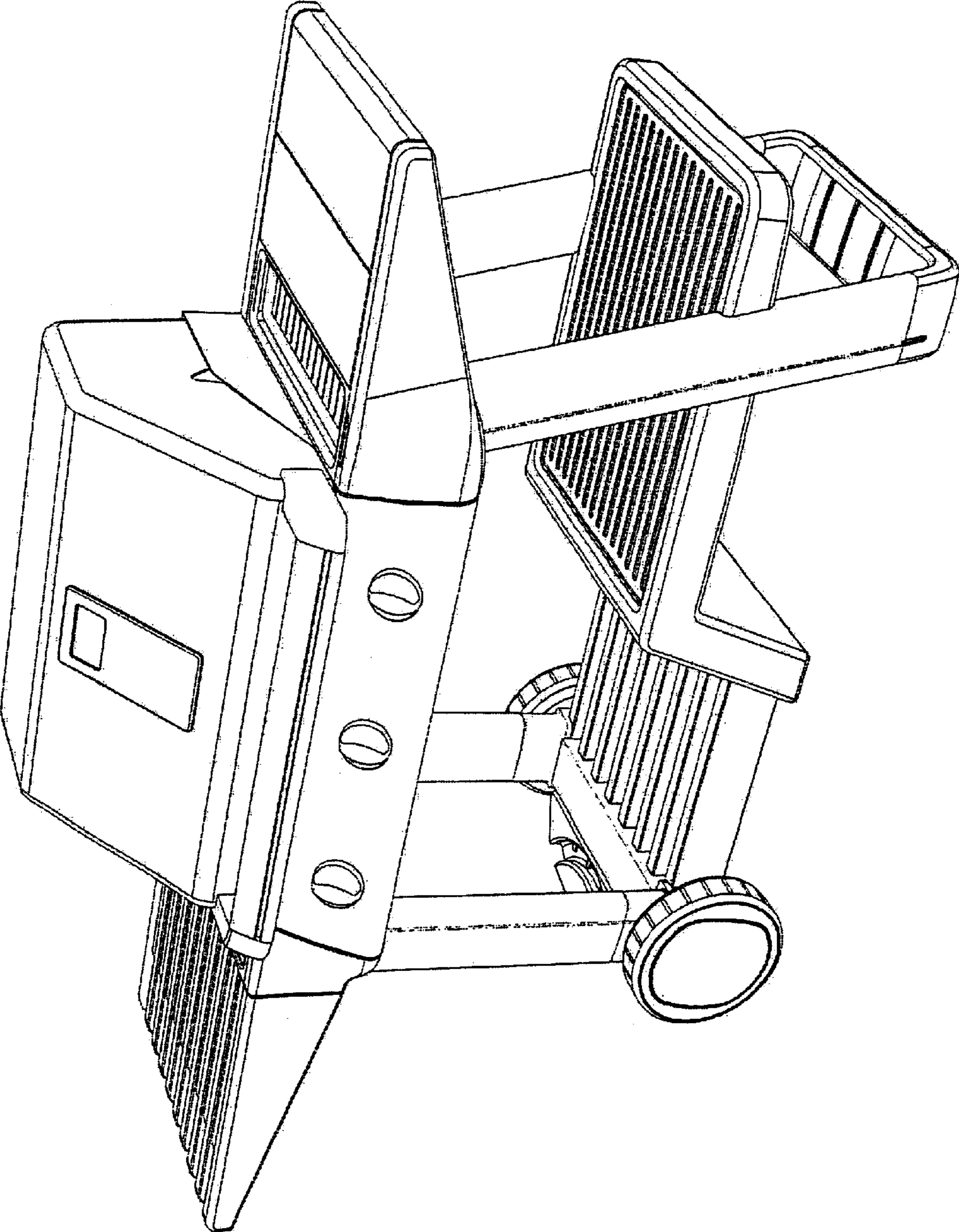


Fig. 1

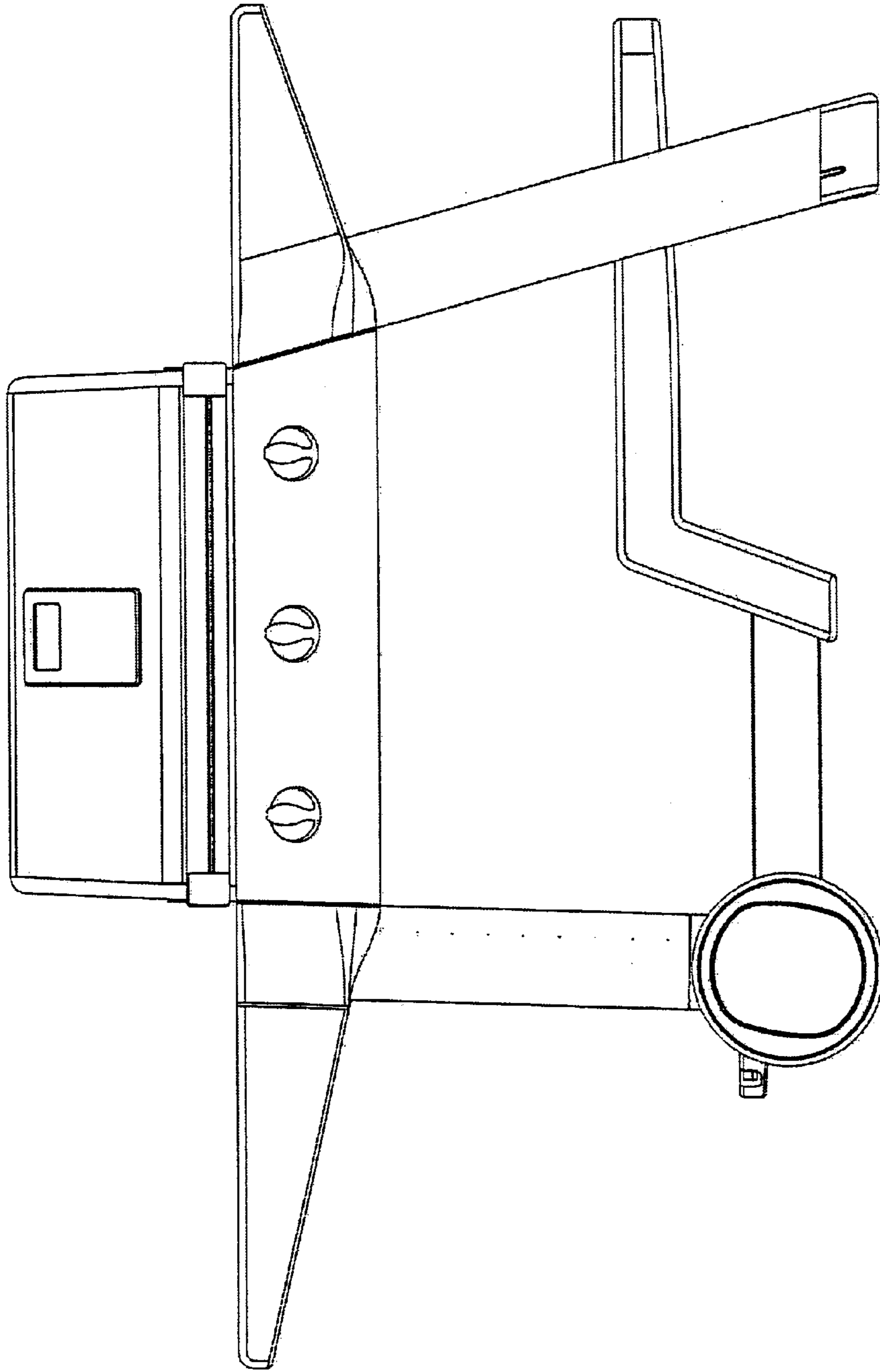


Fig. 2

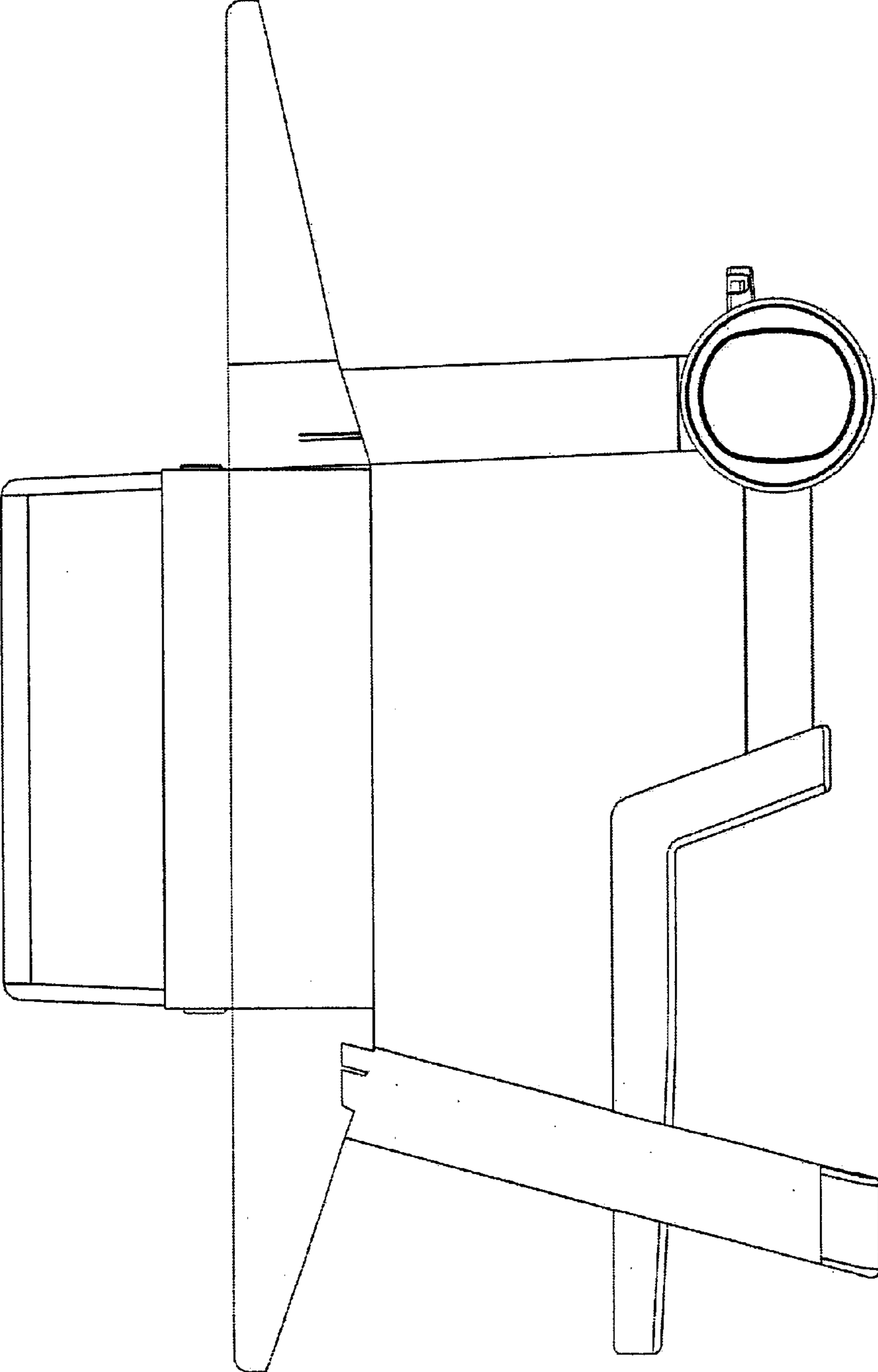


Fig. 3

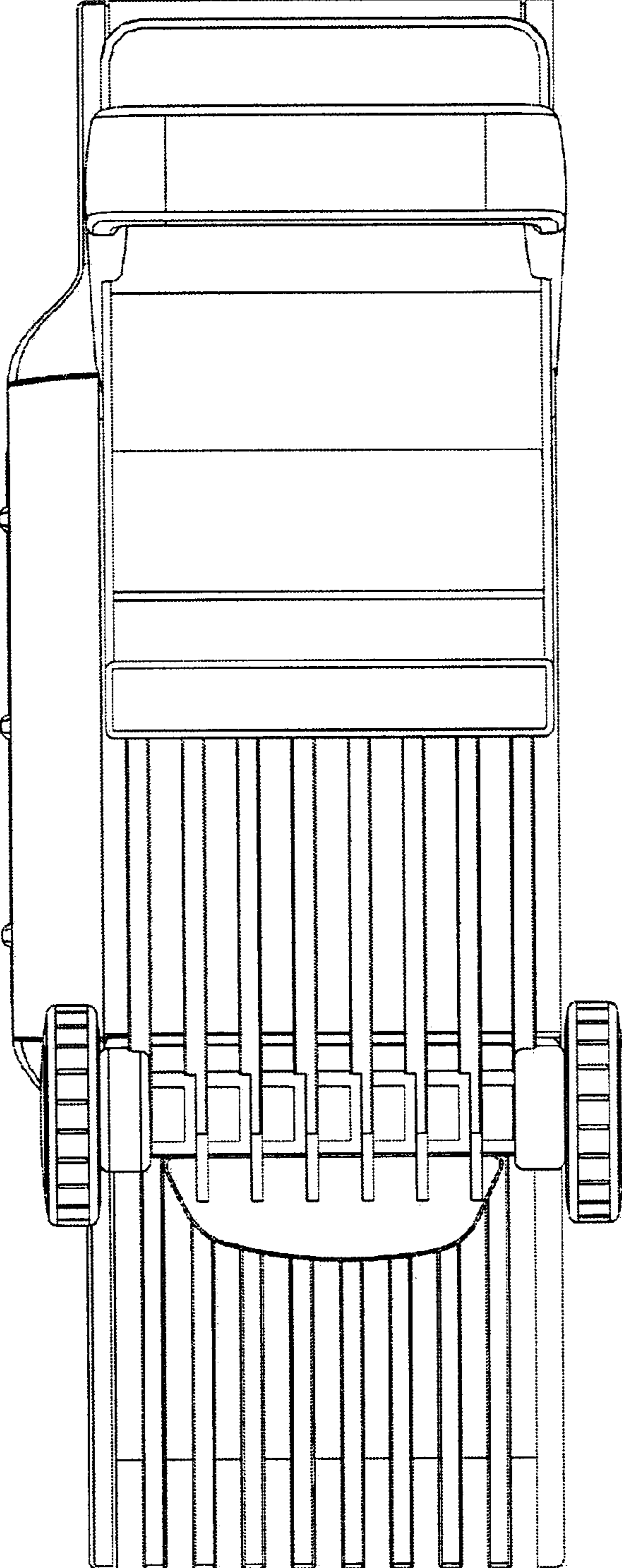


Fig. 4

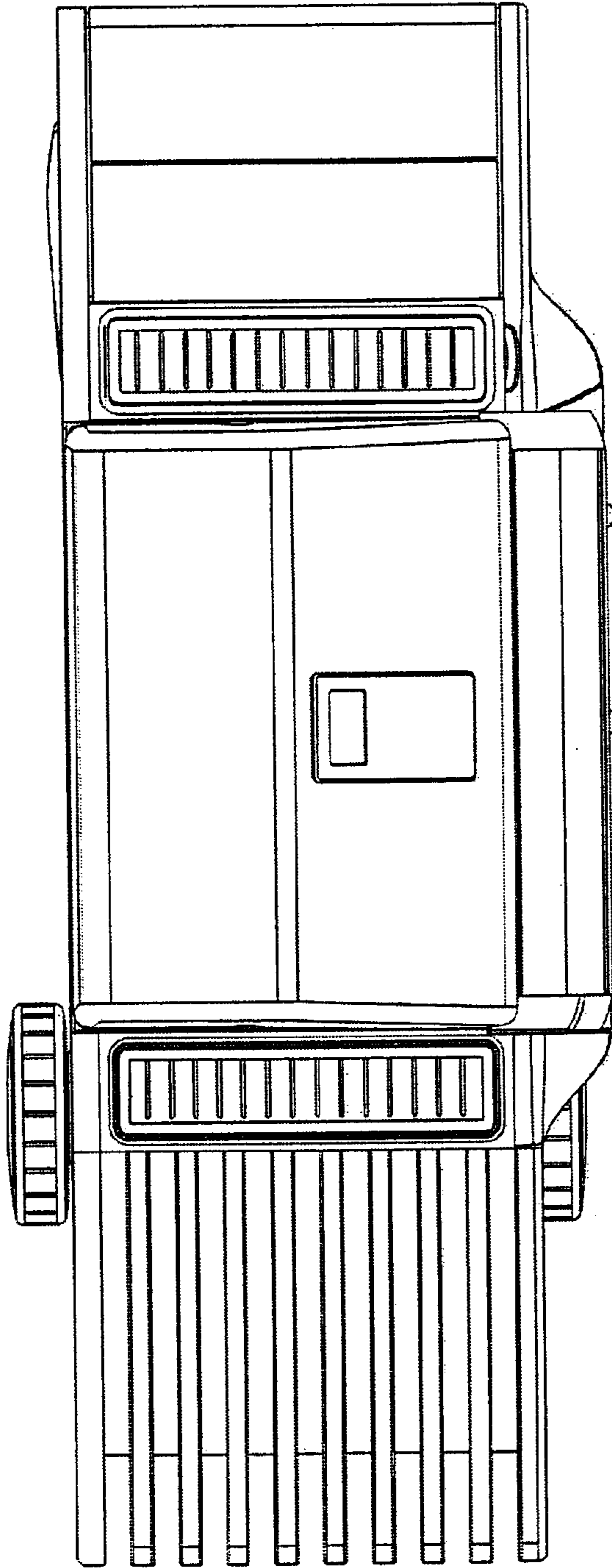


Fig. 5

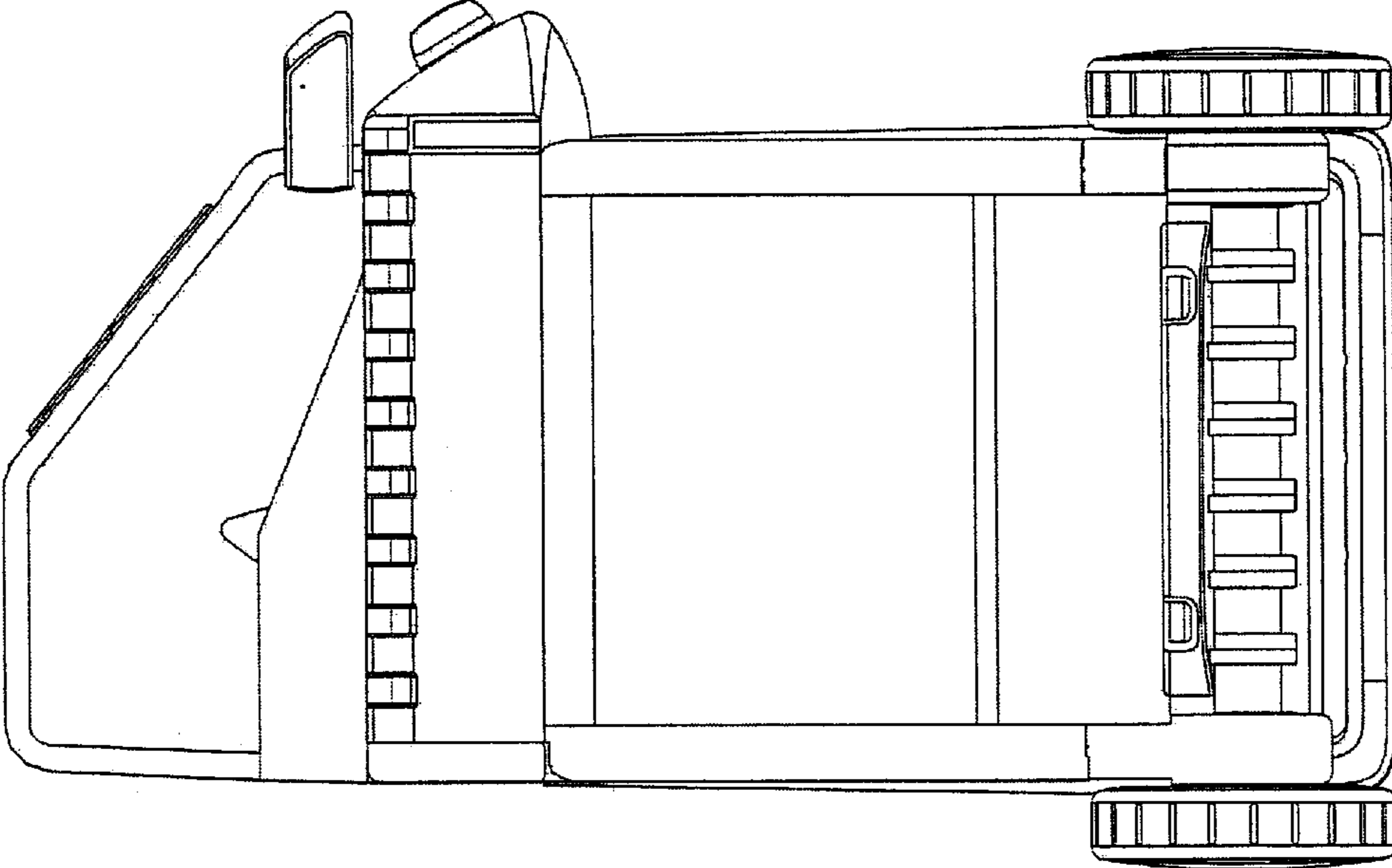


Fig. 6

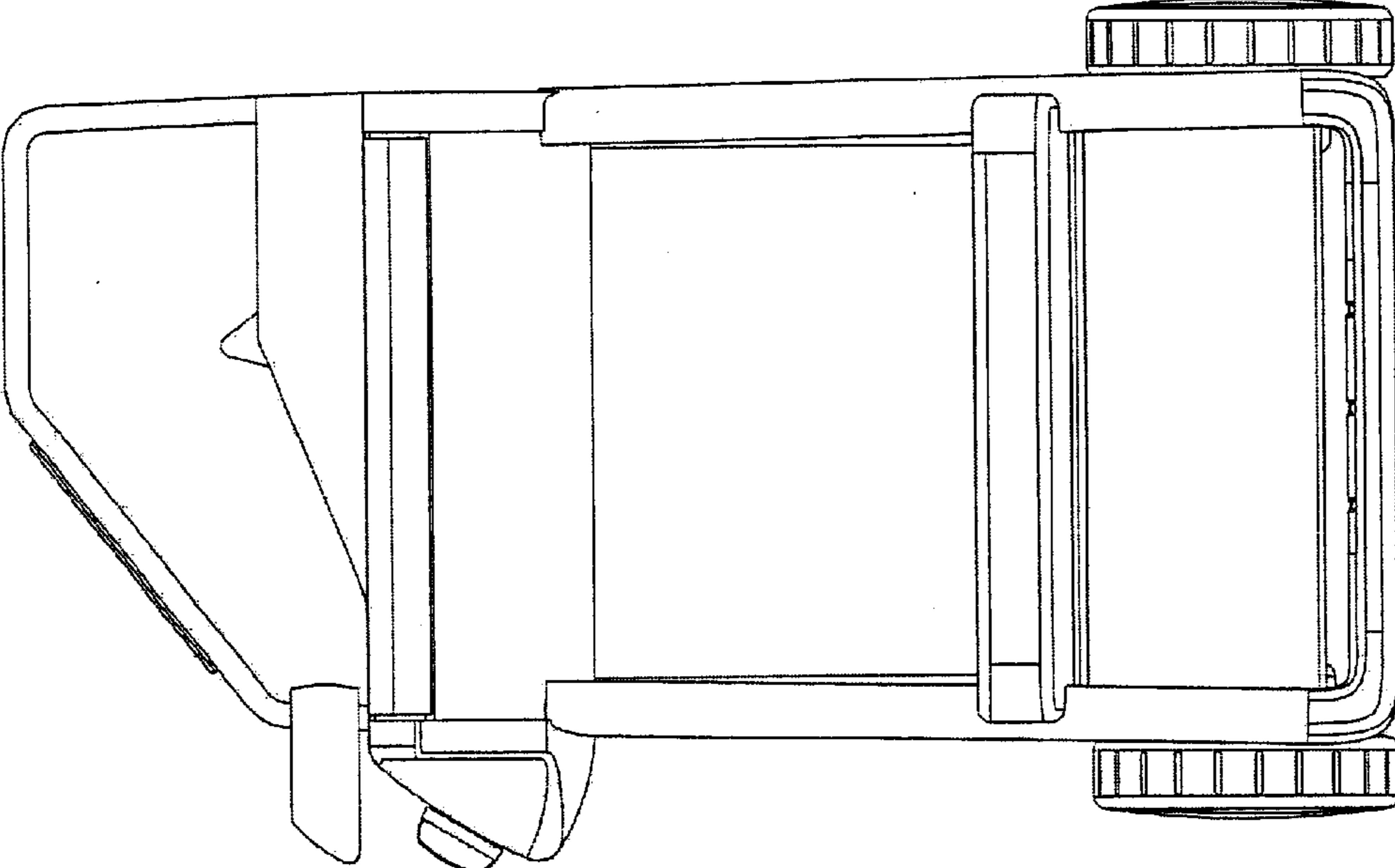


Fig. 7