



US00D536566S

(12) **United States Design Patent**
Burch

(10) **Patent No.:** **US D536,566 S**
(45) **Date of Patent:** **** Feb. 13, 2007**

(54) **SCHOOL BUS SEAT BACK ENVELOPE CUSHION**

(76) Inventor: **S. Arthur Burch**, 30627 Webster Rd., Bay Village, OH (US) 44140

(**) Term: **14 Years**

(21) Appl. No.: **29/204,361**

(22) Filed: **Apr. 28, 2004**

(51) **LOC (8) Cl.** **06-13**

(52) **U.S. Cl.** **D6/611**

(58) **Field of Classification Search** D6/334,
D6/595, 610, 611; 297/218.1, 219.1, 219.12,
297/225, 228, 452.18; 150/154, 158
See application file for complete search history.

(56) **References Cited**

U.S. PATENT DOCUMENTS

4,383,712	A	*	5/1983	Kaganas	297/228.12
5,114,209	A	*	5/1992	Dunn	297/230.1
D369,055	S	*	4/1996	Bode	D6/601
5,609,395	A		3/1997	Burch		
D387,604	S	*	12/1997	Melone	D6/611
D403,195	S	*	12/1998	Irwin-Tesmer	D6/611
D440,107	S	*	4/2001	Hsu	D6/611
6,250,718	B1	*	6/2001	Newhouse et al.	297/452.1
6,412,872	B2	*	7/2002	Takeda et al.	297/391

6,415,494	B1		7/2002	Burch		
D478,456	S	*	8/2003	Yoon	D6/611
D491,405	S	*	6/2004	Jones	D6/611
2002/0135217	A1	*	9/2002	Liu	297/452.18

OTHER PUBLICATIONS

U.S. Appl. No. 10/954,782, filed Sep. 30, 2004, Burch.
U.S. Appl. No. 11/104,948, filed Apr. 13, 2005, Burch.

* cited by examiner

Primary Examiner—Louis S. Zarfes

Assistant Examiner—Anhdao Doan

(74) *Attorney, Agent, or Firm*—Woodling, Krost and Rust

(57) **CLAIM**

The ornamental design for a school bus seat back envelope cushion, as shown and described.

DESCRIPTION

FIG. 1 is a front perspective view of my design.

FIG. 2 is a rear perspective view of my design.

FIG. 3 is a top view of my design.

FIG. 4 is a front view of my design.

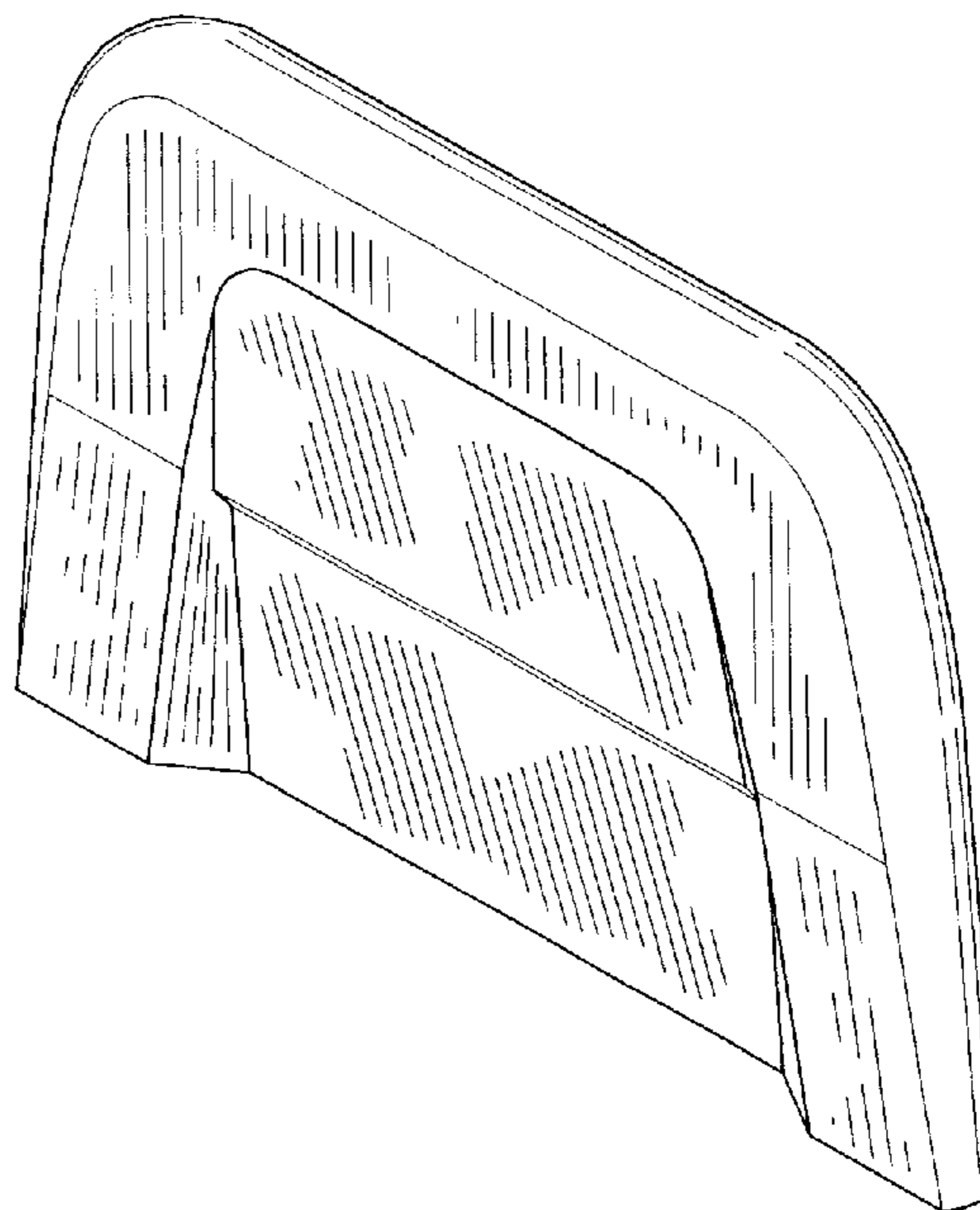
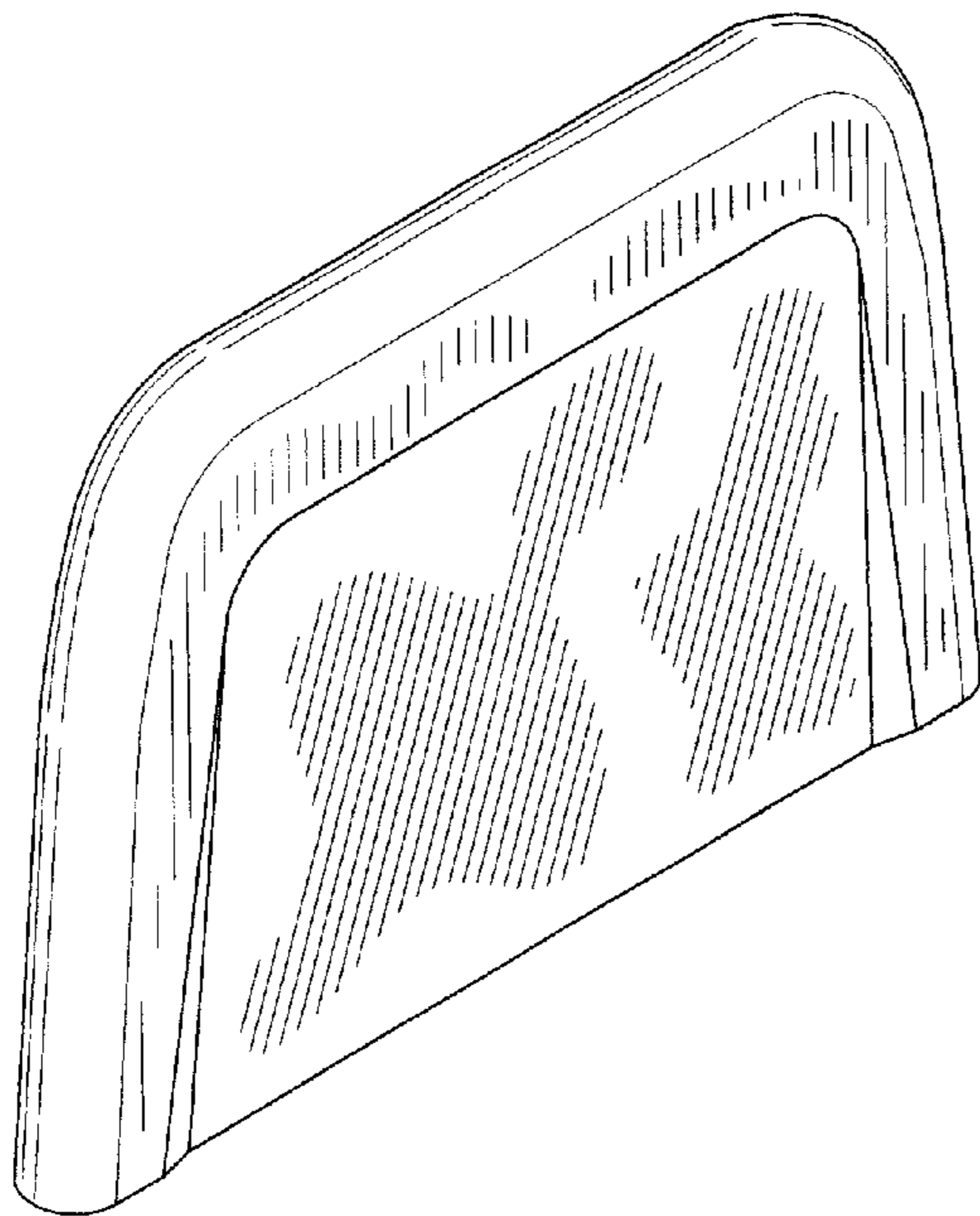
FIG. 5 is a bottom view of my design.

FIG. 6 is a rear view of my design.

FIG. 7 is a right side view of my design; and,

FIG. 8 is a left side view of my design.

1 Claim, 3 Drawing Sheets



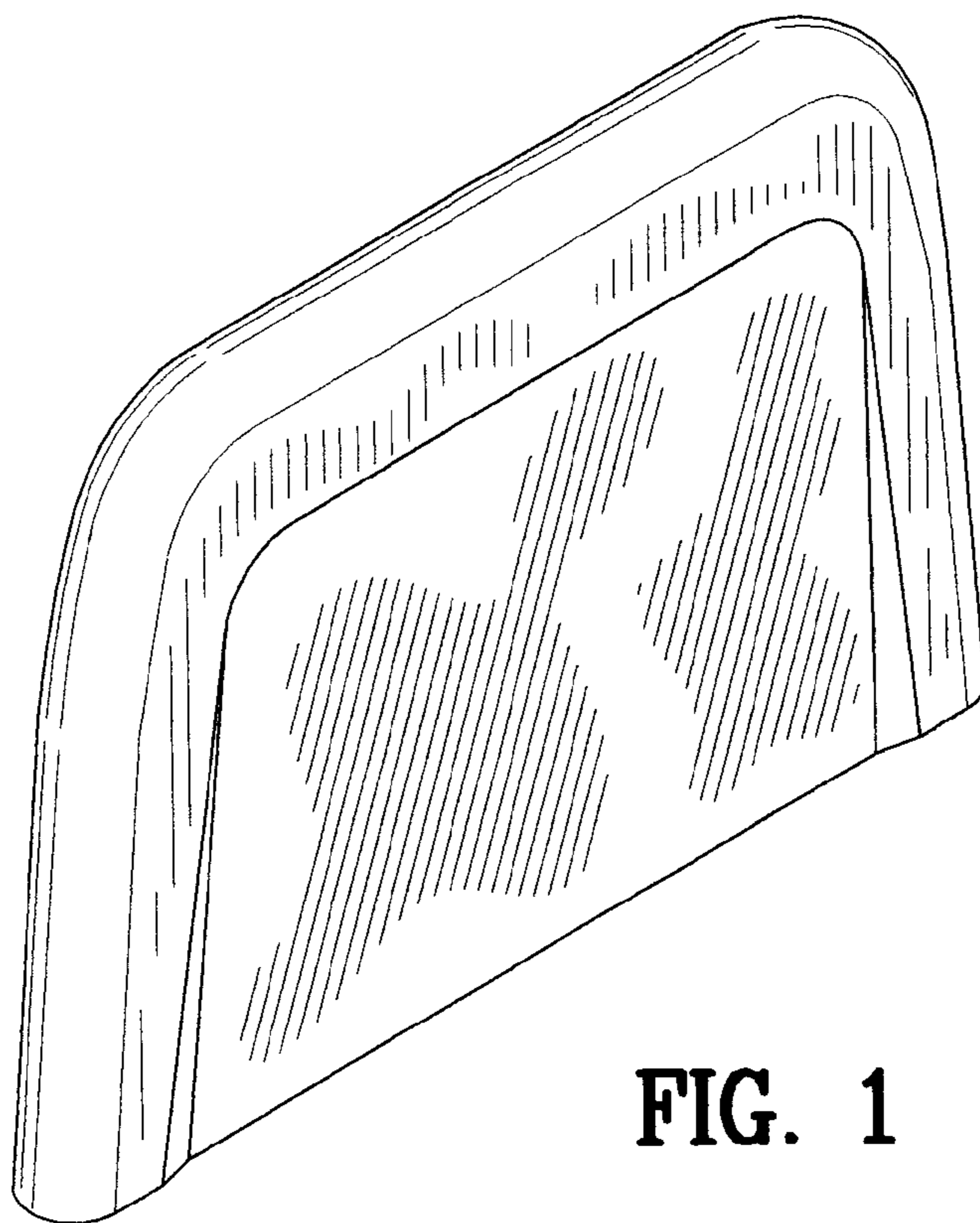


FIG. 1

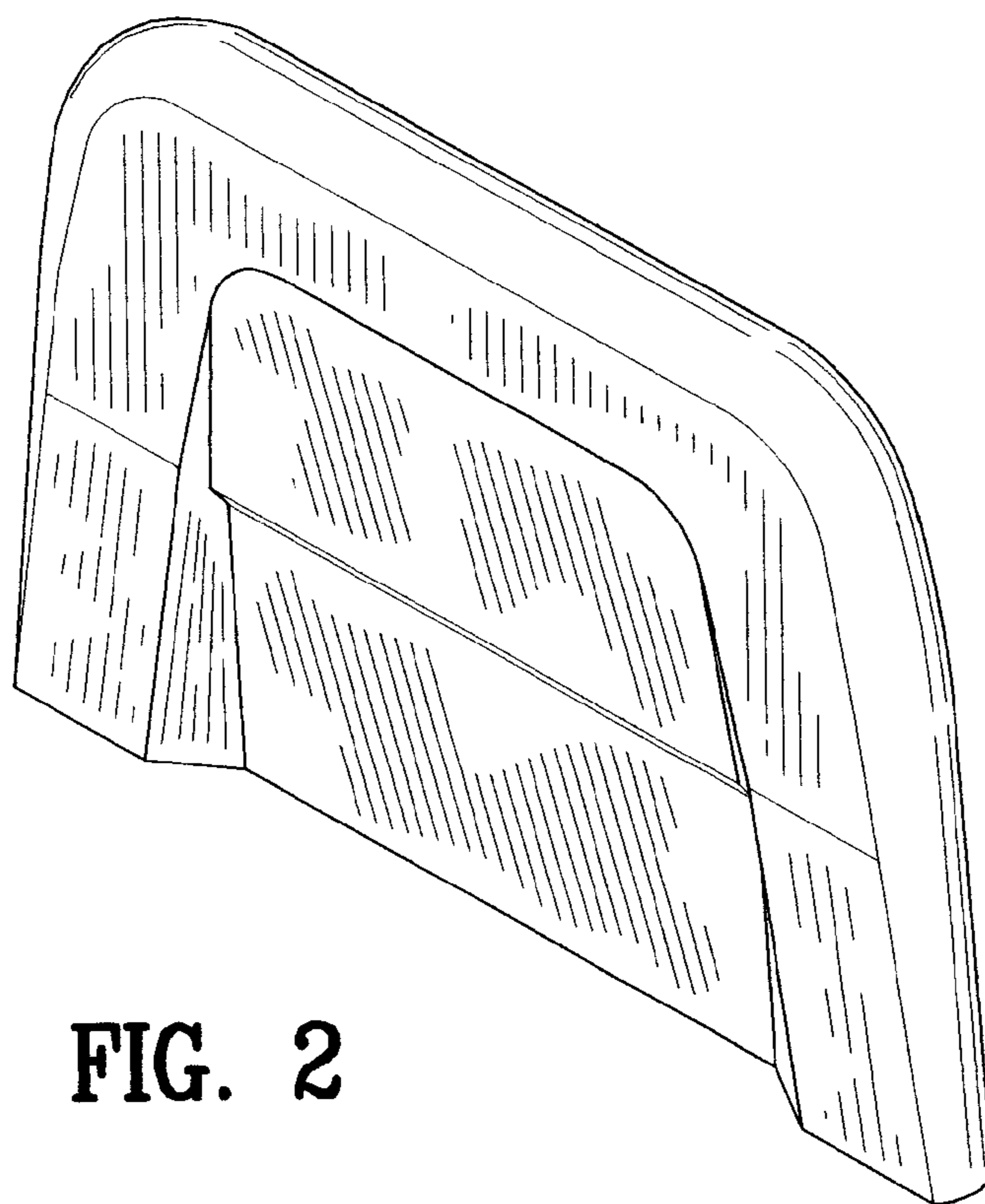


FIG. 2

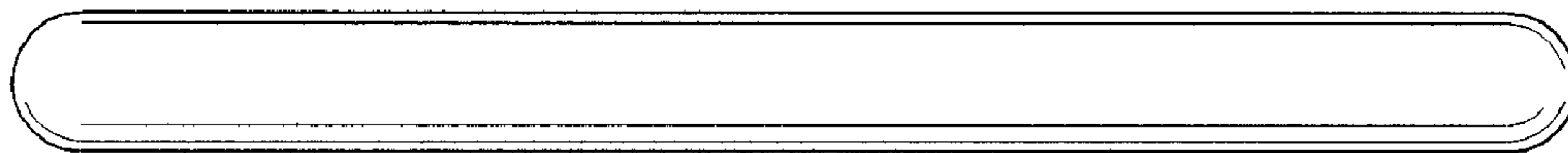


FIG. 3

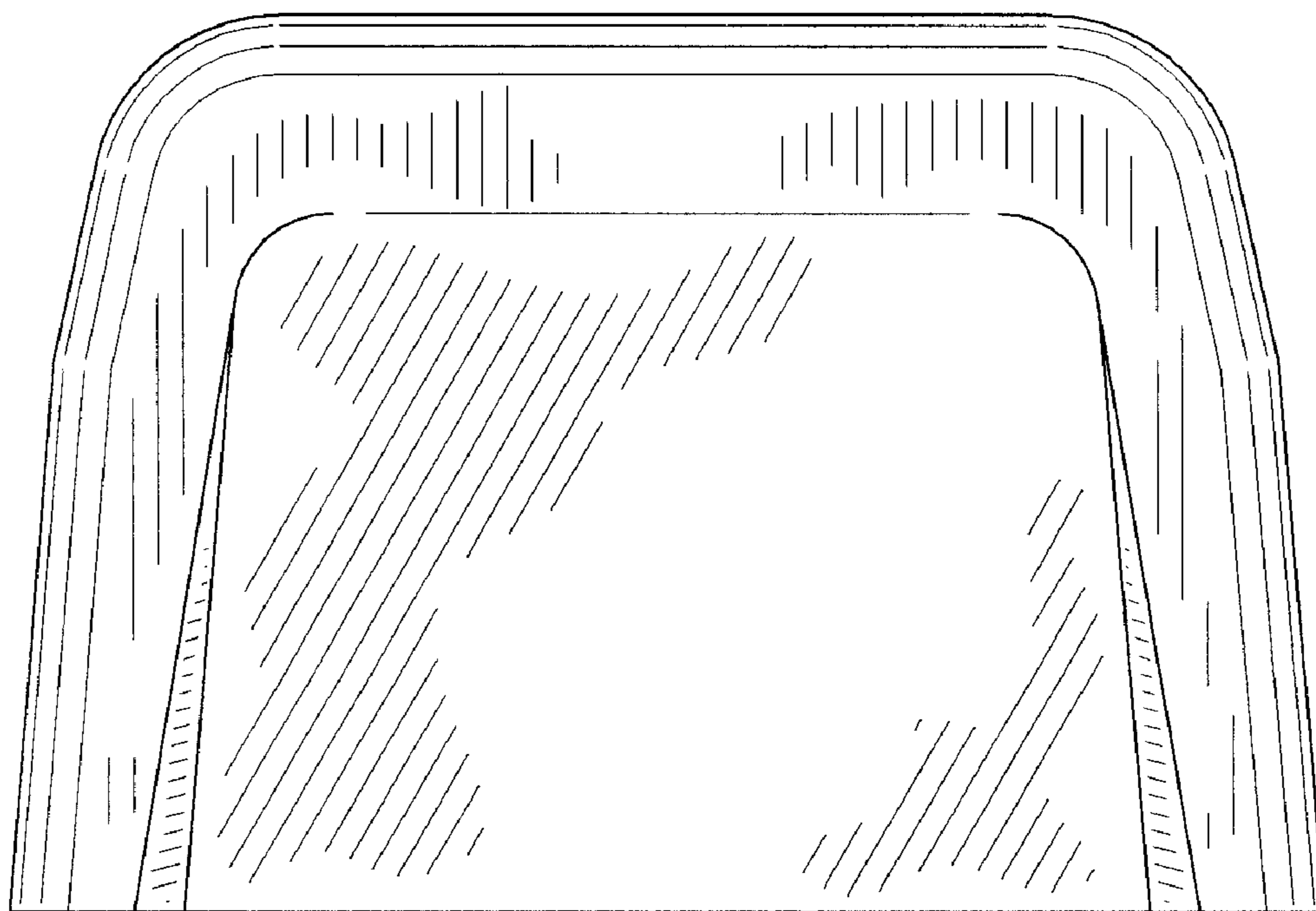


FIG. 4

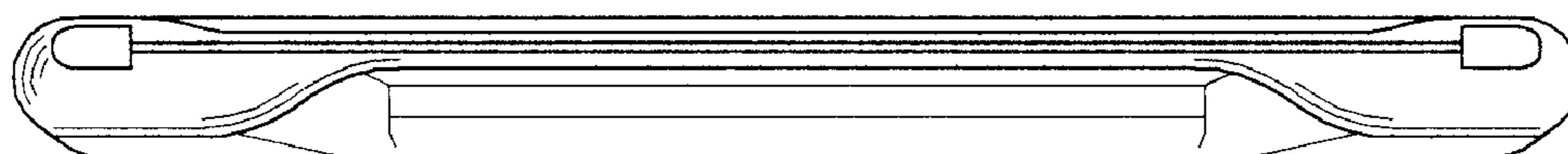


FIG. 5

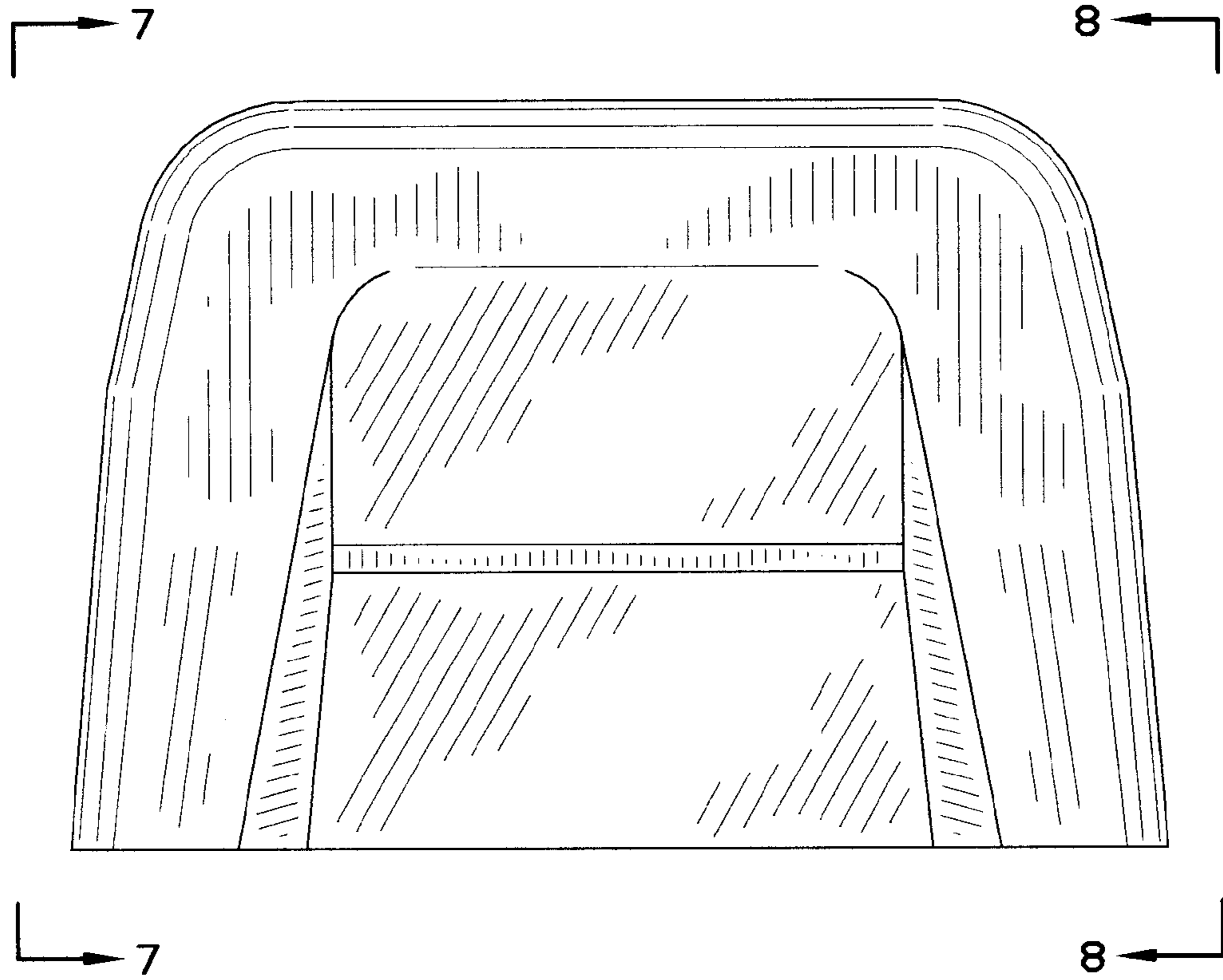


FIG. 6



FIG. 7



FIG. 8

UNITED STATES PATENT AND TRADEMARK OFFICE
CERTIFICATE OF CORRECTION

PATENT NO. : Des. 536,566 S
APPLICATION NO. : 29/204361
DATED : February 13, 2007
INVENTOR(S) : S. Arthur Burch

Page 1 of 3

It is certified that error appears in the above-identified patent and that said Letters Patent is hereby corrected as shown below:

REPLACE FIGS. 3, 4, 5, AND 6 WITH CORRECT FIGS. 3, 4, 5 AND 6 AS FOLLOWS:

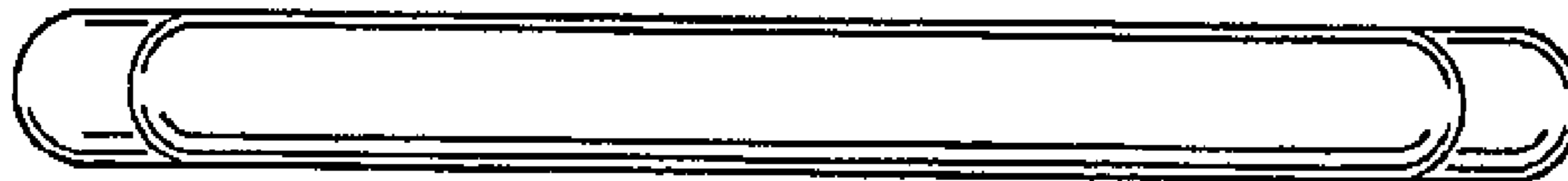


FIG. 3

REPLACE FIGS. 3, 4, 5, AND 6 WITH CORRECT FIGS. 3, 4, 5 AND 6 AS FOLLOWS:

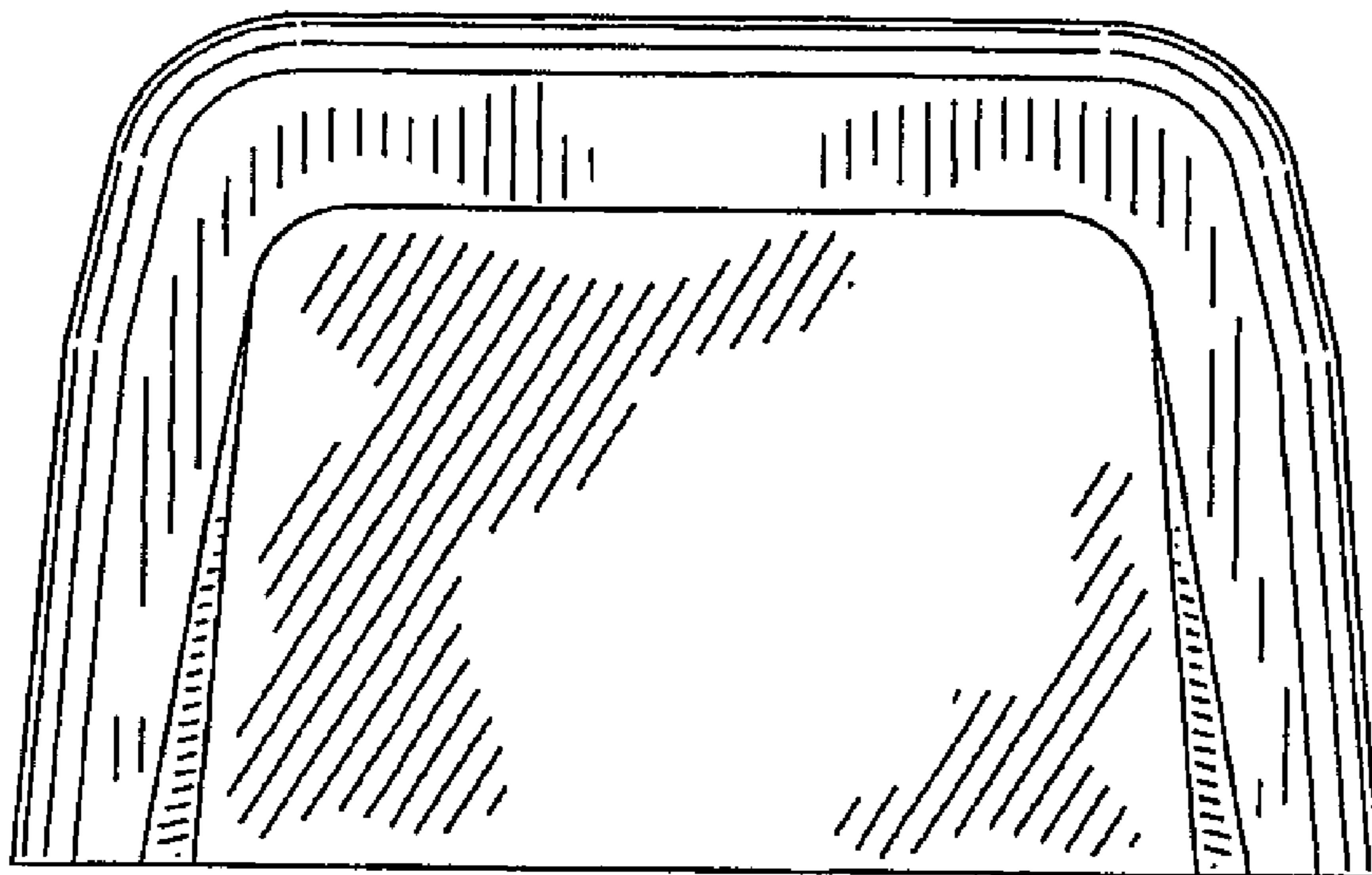


FIG. 4

UNITED STATES PATENT AND TRADEMARK OFFICE
CERTIFICATE OF CORRECTION

PATENT NO. : Des. 536,566 S
APPLICATION NO. : 29/204361
DATED : February 13, 2007
INVENTOR(S) : S. Arthur Burch

Page 2 of 3

It is certified that error appears in the above-identified patent and that said Letters Patent is hereby corrected as shown below:

REPLACE FIGS. 3, 4, 5, AND 6 WITH CORRECT FIGS. 3, 4, 5 AND 6 AS FOLLOWS:

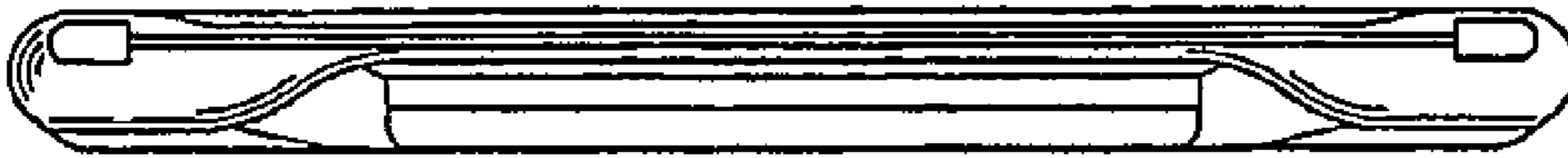


FIG. 5

UNITED STATES PATENT AND TRADEMARK OFFICE
CERTIFICATE OF CORRECTION

PATENT NO. : Des. 536,566 S
APPLICATION NO. : 29/204361
DATED : February 13, 2007
INVENTOR(S) : S. Arthur Burch

Page 3 of 3

It is certified that error appears in the above-identified patent and that said Letters Patent is hereby corrected as shown below:

REPLACE FIGS. 3, 4, 5, AND 6 WITH CORRECT FIGS. 3, 4, 5 AND 6 AS FOLLOWS:

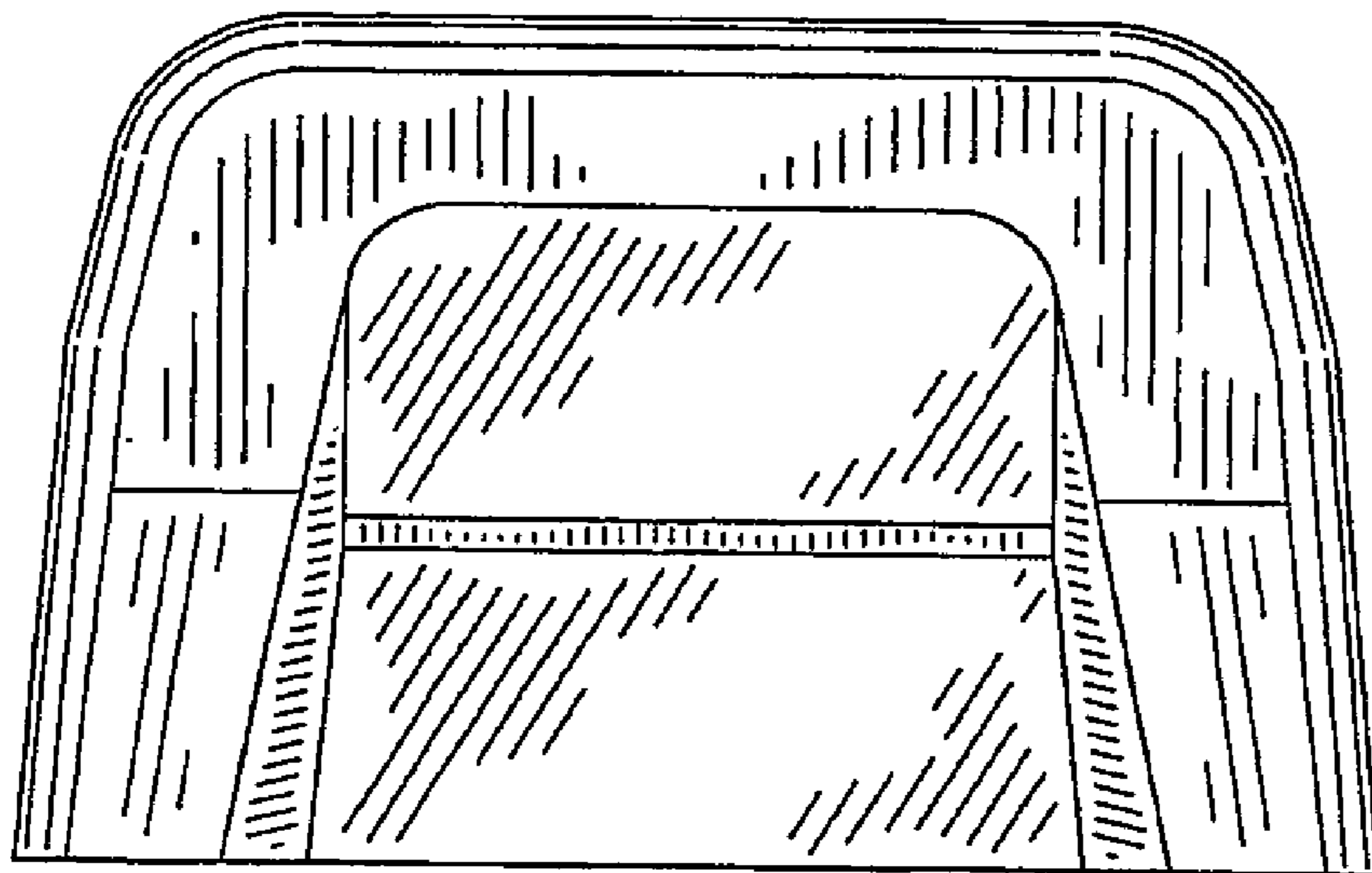


FIG. 6

Signed and Sealed this

Tenth Day of April, 2007

JON W. DUDAS

Director of the United States Patent and Trademark Office