



US00D536565S

(12) **United States Design Patent**
Shinner et al.

(10) **Patent No.:** **US D536,565 S**

(45) **Date of Patent:** **** Feb. 13, 2007**

(54) **VALVE**

(75) Inventors: **Neil Shinner**, London (GB); **Joanne Brabner**, London (GB)

(73) Assignee: **Spin Master Ltd.**, Toronto (CA)

(**) Term: **14 Years**

(21) Appl. No.: **29/223,297**

(22) Filed: **Feb. 11, 2005**

(30) **Foreign Application Priority Data**

Aug. 14, 2004 (GB) 3018416

(51) **LOC (8) Cl.** **06-99**

(52) **U.S. Cl.** **D6/606**

(58) **Field of Classification Search** D6/595,
D6/596, 604-606; 5/655.3, 658, 671, 706,
5/712, 714, 751, 941; 441/40, 41, 90, 92,
441/96, 99; 2/2.11, 2.15-2.17; 410/119; 52/2.18;
251/149.1, 904; D12/604, 606, 607; D21/801,
D21/803, 805, 809; D23/233; 139/420 A;
405/186; 137/232, 527.8; 607/104
See application file for complete search history.

(56) **References Cited**

U.S. PATENT DOCUMENTS

4,766,628 A * 8/1988 Walker 5/706
4,927,397 A * 5/1990 Yeager 441/41
6,138,711 A * 10/2000 Lung-Po 137/527.8
6,164,314 A * 12/2000 Saputo et al. 137/232
6,241,755 B1 * 6/2001 Arnold et al. 607/104

6,257,550 B1 * 7/2001 Saputo et al. 251/149.1
6,460,560 B1 * 10/2002 Weinheimer et al. 137/232
6,814,639 B1 * 11/2004 Peterson 441/41
6,935,073 B2 * 8/2005 Scherba 52/2.18
7,008,155 B2 * 3/2006 Smith et al. 410/119
2003/0192123 A1 * 10/2003 Chaffee 5/655.3

* cited by examiner

Primary Examiner—Robert M. Spear

Assistant Examiner—Mary Ann Calabrese

(74) *Attorney, Agent, or Firm*—Cohen, Pontani, Lieberman & Pavane

(57) **CLAIM**

The ornamental design for a valve, as shown and described.

DESCRIPTION

FIG. 1 is a top view of the one touch valve of the present invention;

FIG. 2 is a bottom view of the one touch valve of the present invention;

FIG. 3 is a front view of the one touch valve of the present invention;

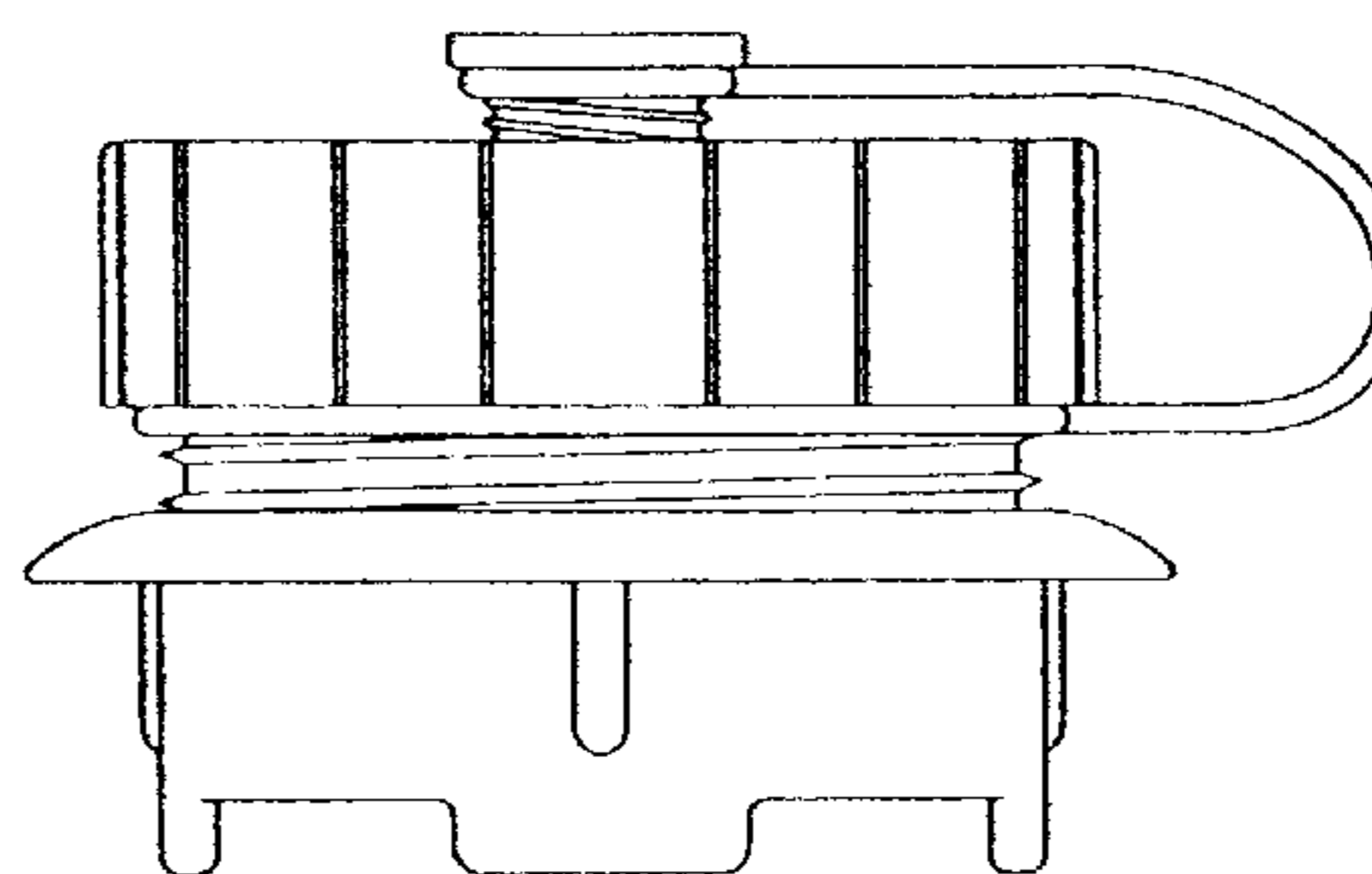
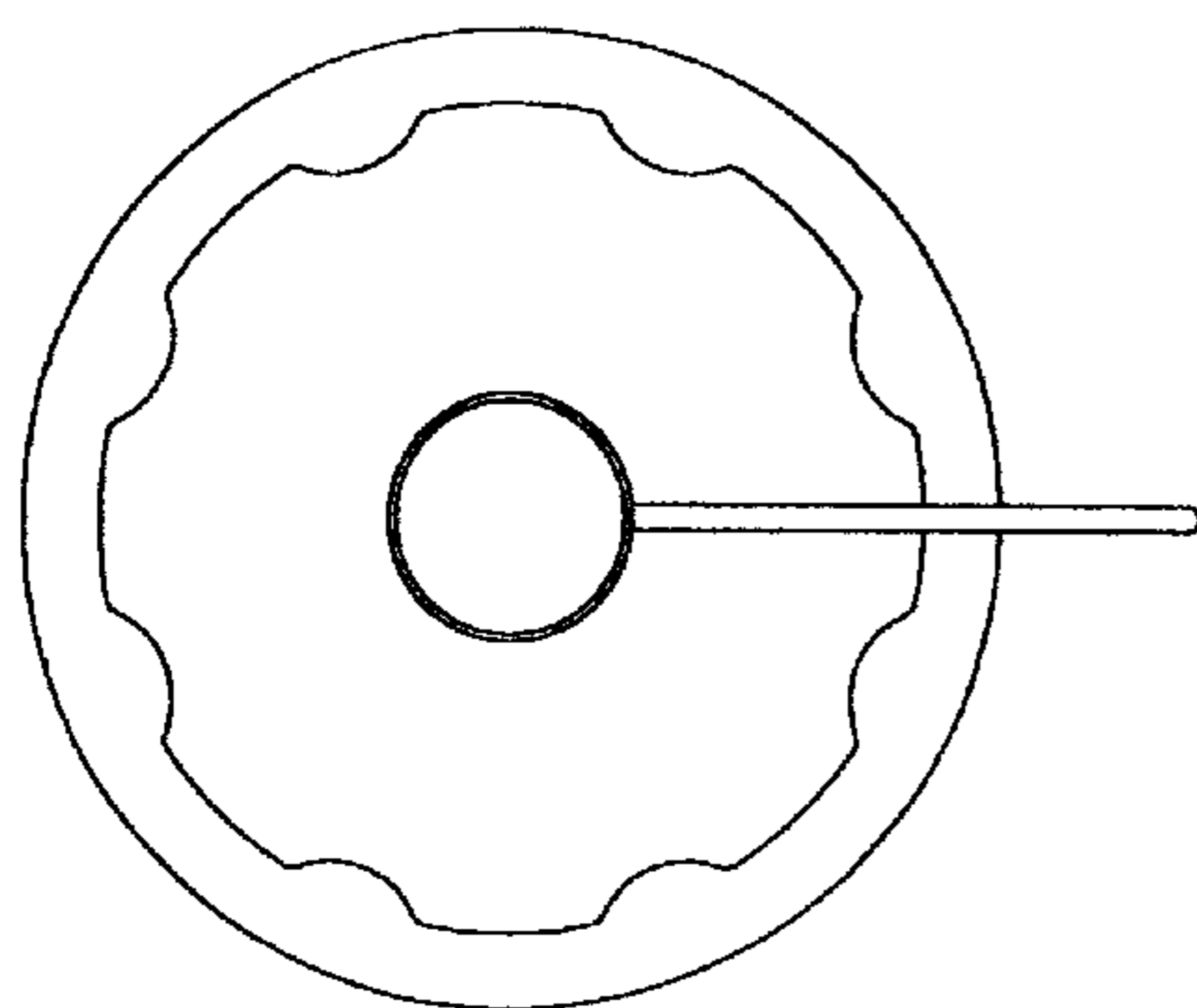
FIG. 4 is a rear view of the one touch valve of the present invention;

FIG. 5 is a left view of the one touch valve of the present invention; and,

FIG. 6 is a right view of the one touch valve of the present invention.

In the drawings, the broken lines represent environmental structure forming no part of the claimed design.

1 Claim, 3 Drawing Sheets



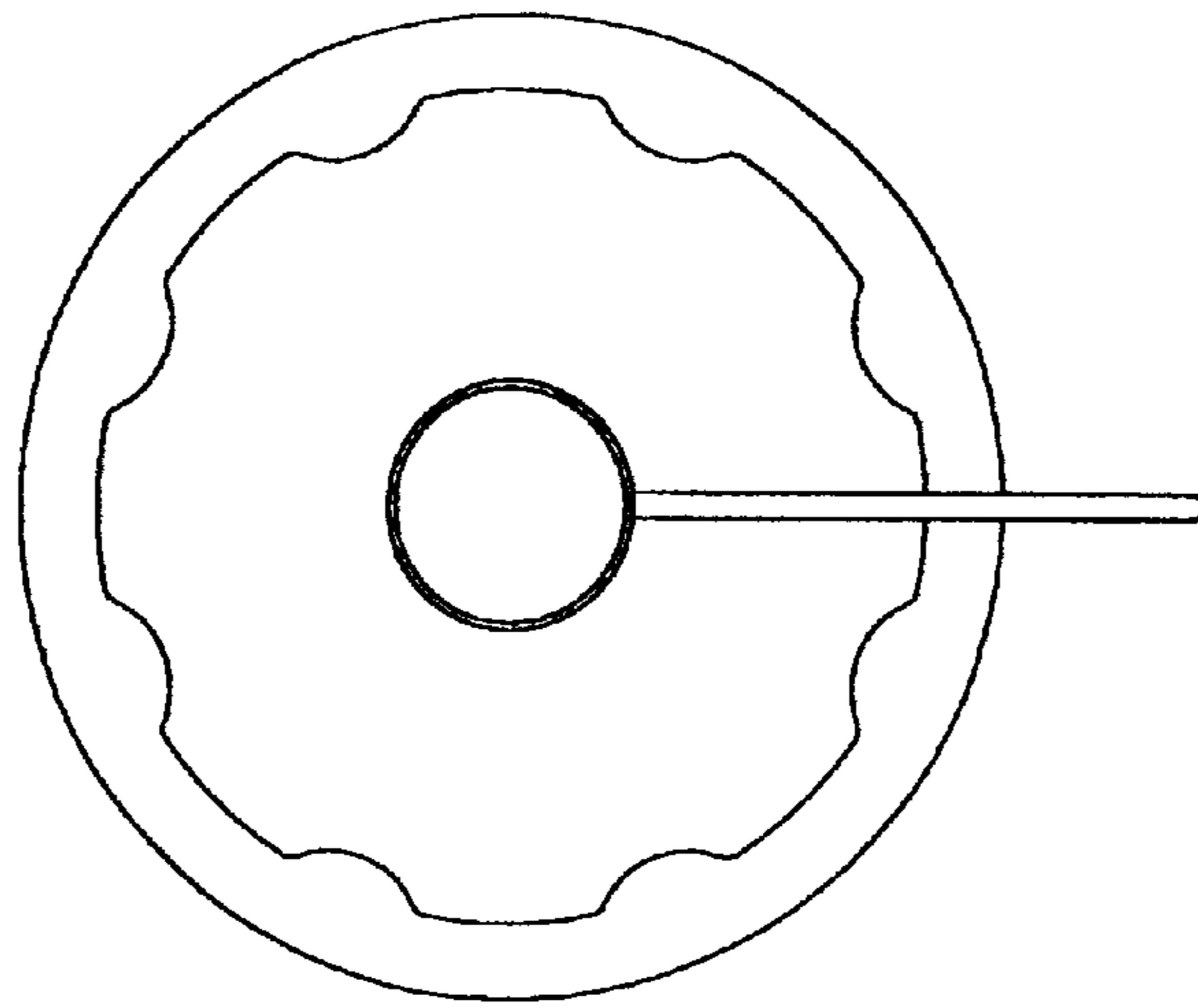


Fig. 1

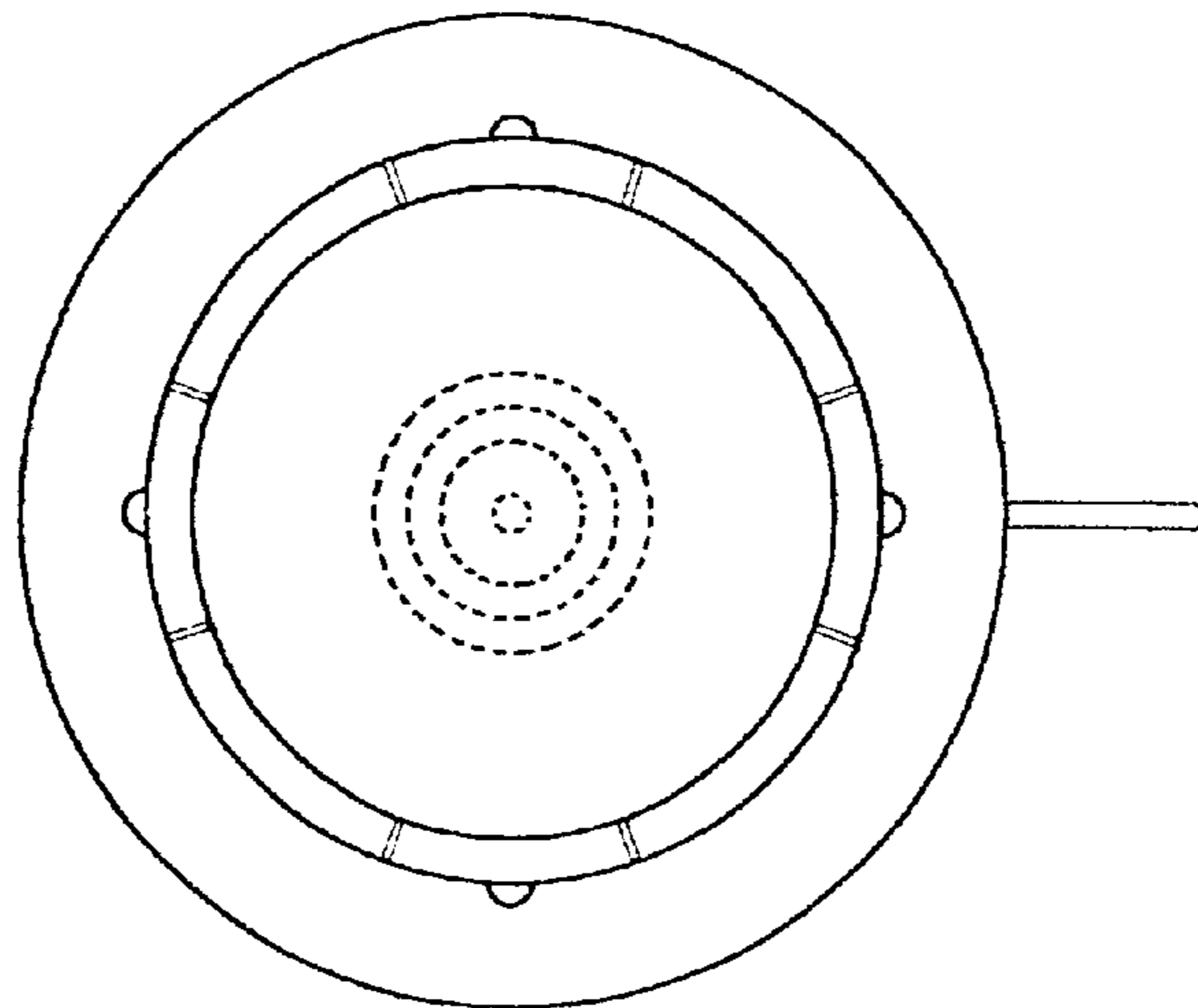


Fig. 2

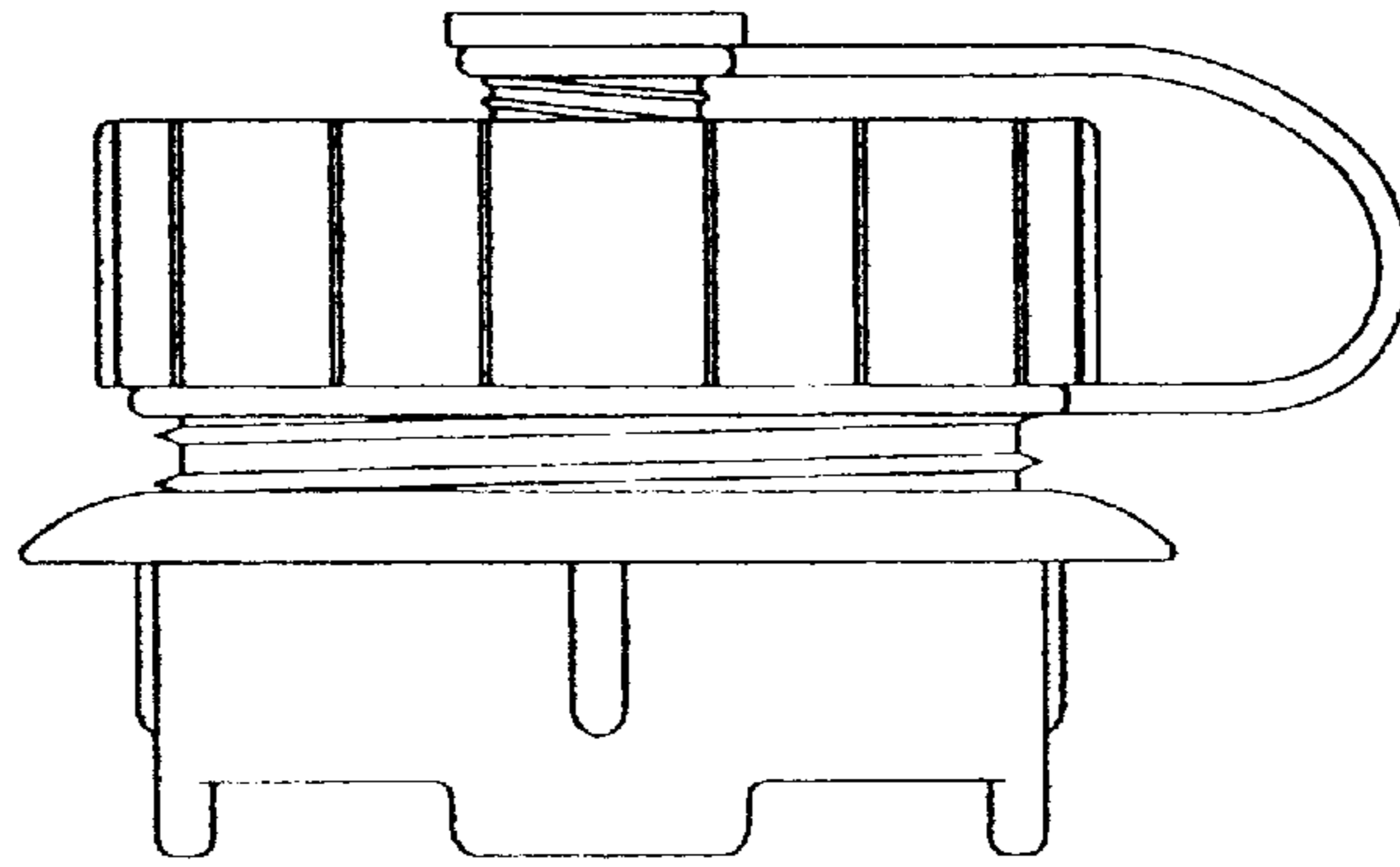


Fig. 3

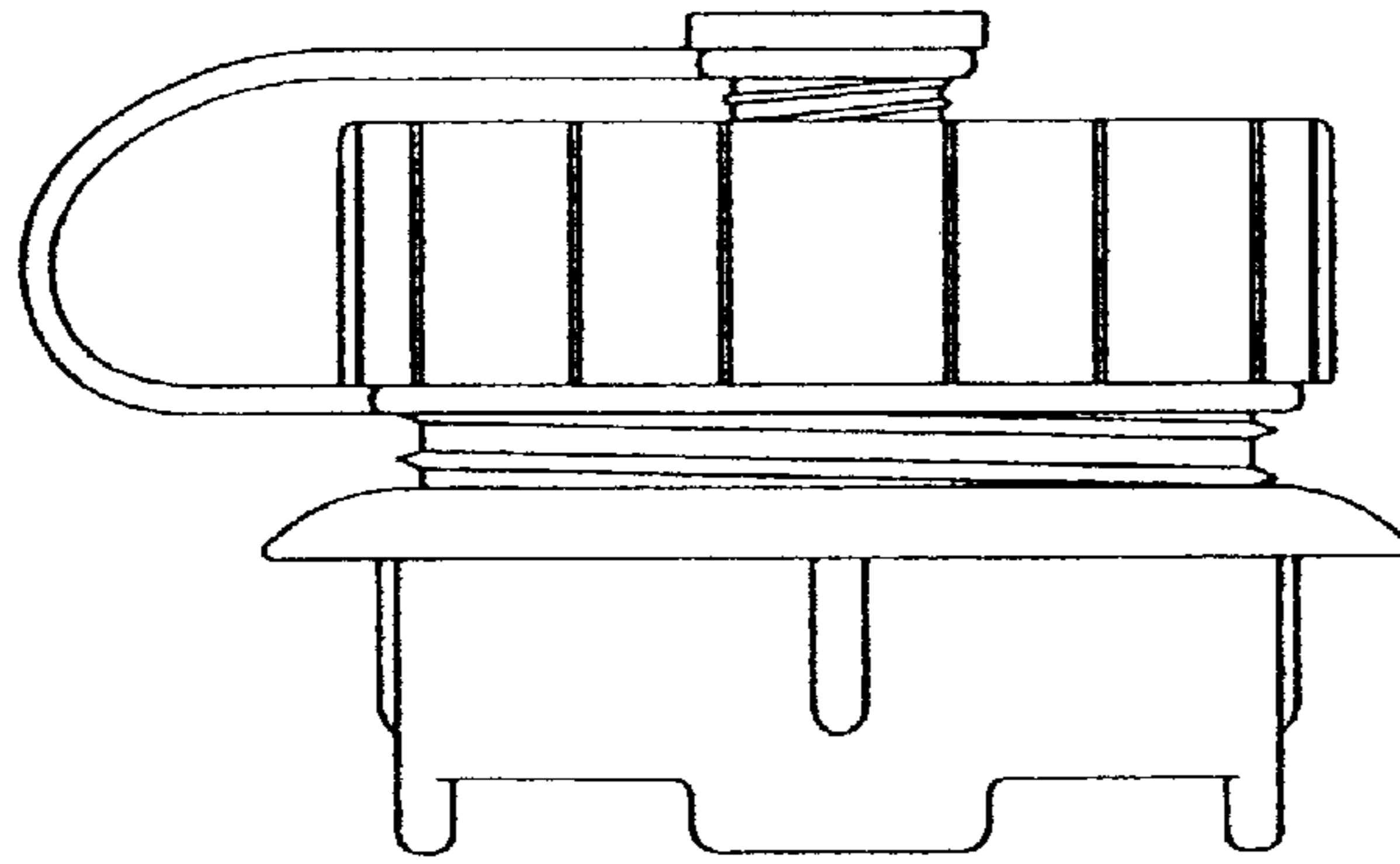


Fig. 4

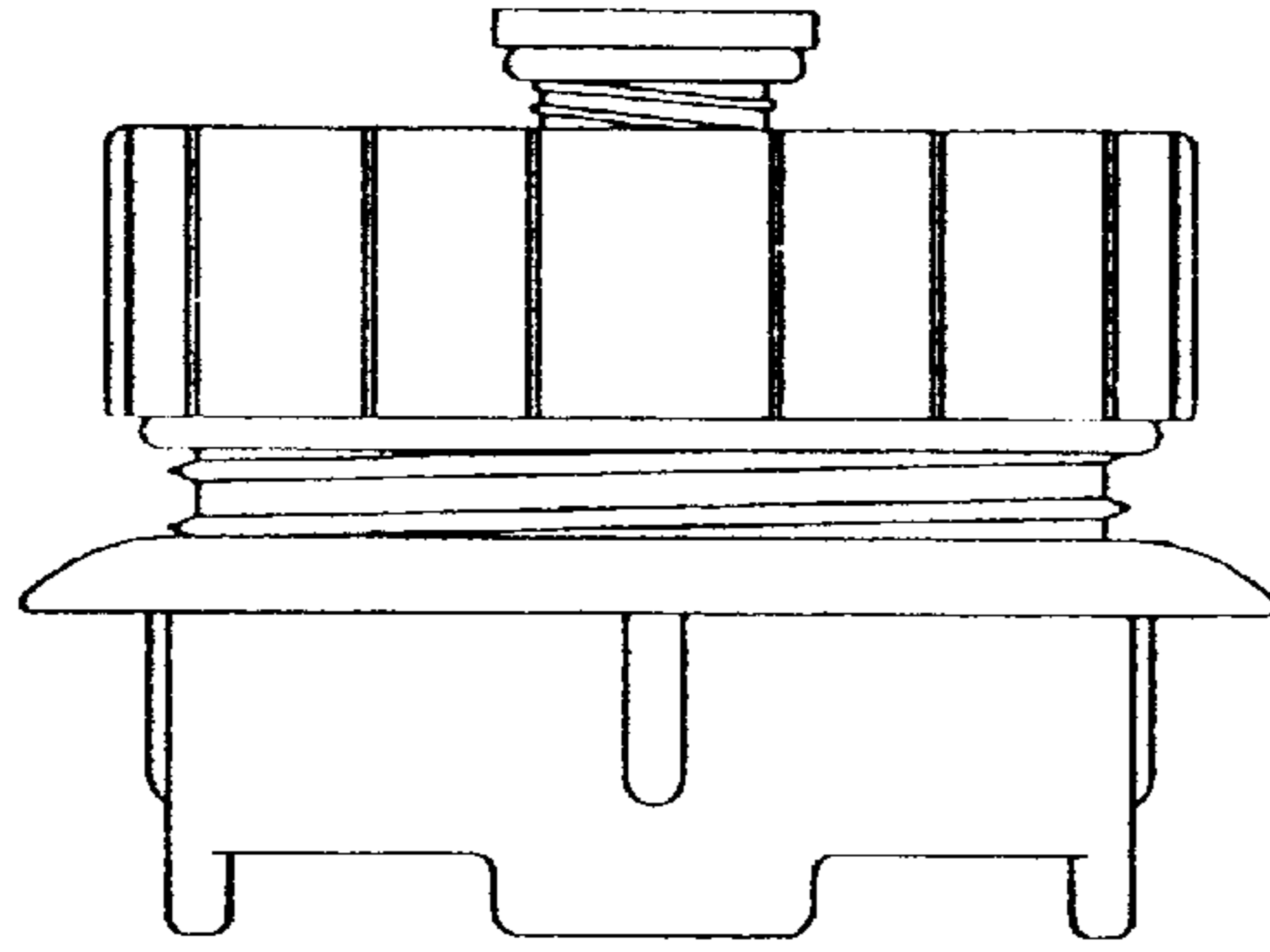


Fig. 5

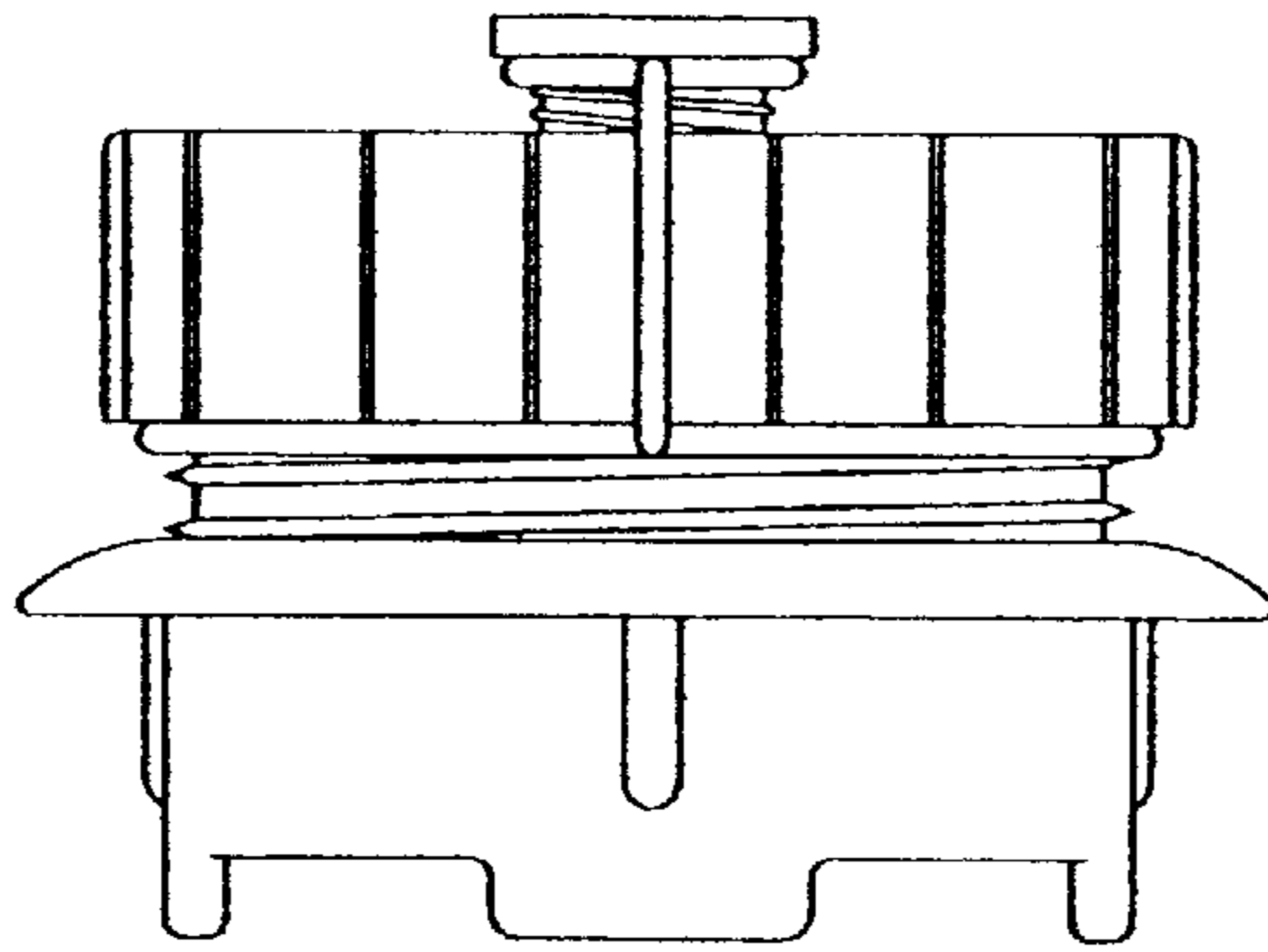


Fig. 6