



US00D536563S

(12) **United States Design Patent**
Smith

(10) **Patent No.:** **US D536,563 S**

(45) **Date of Patent:** **** Feb. 13, 2007**

(54) **EYEWEAR DISPLAY**

D374,366 S * 10/1996 Eldon et al. D6/567
D406,714 S * 3/1999 Eldon et al. D66/567

(75) Inventor: **Greg Smith**, Plano, TX (US)

OTHER PUBLICATIONS

(73) Assignee: **E'lite Optik US, L.P.**, Carrollton, TX (US)

Delectable Design Catalog, visual merchandising experts, EyeVee product of Randy Collection.

(**) Term: **14 Years**

* cited by examiner

(21) Appl. No.: **29/212,126**

Primary Examiner—Brian N Vinson

(22) Filed: **Aug. 26, 2004**

(74) *Attorney, Agent, or Firm*—Storm LLP; John G. Fischer

(51) **LOC (8) Cl.** **06-04**

(52) **U.S. Cl.** **D6/567**

(58) **Field of Classification Search** D6/512,
D6/553, 567; 211/13.1, 85.1, 86.01

See application file for complete search history.

(57) **CLAIM**

The ornamental design the eyewear display, as shown.

(56) **References Cited**

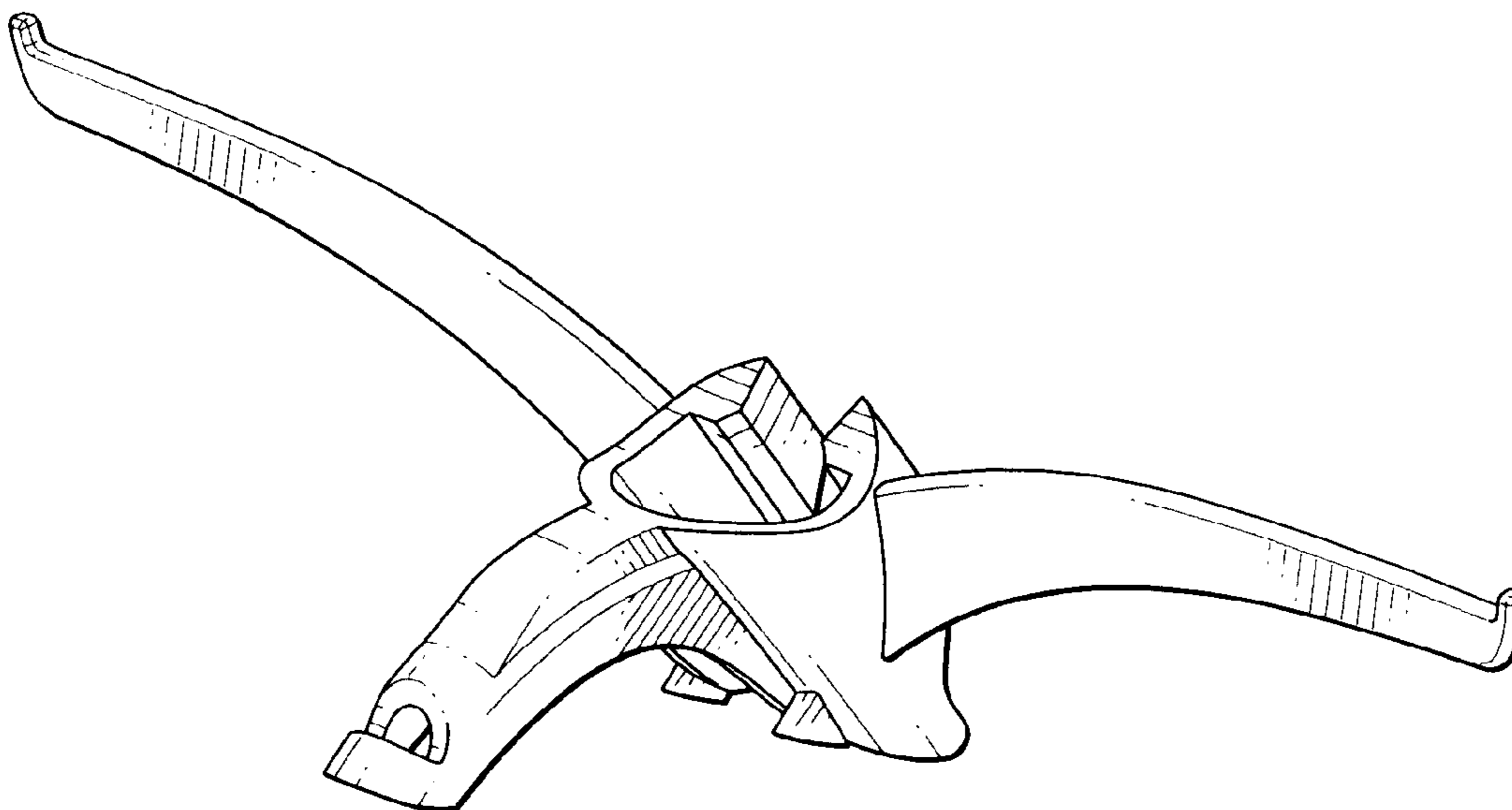
DESCRIPTION

U.S. PATENT DOCUMENTS

3,229,944 A * 1/1966 Everburg 211/85.1
5,069,416 A * 12/1991 Ennis 211/85.1
5,255,796 A * 10/1993 Josephson 211/85.1
5,316,252 A * 5/1994 Charnow et al. 211/85.1

FIG. 1 is a perspective view of the eyewear display design.
FIG. 2 is a right side view of the eyewear display design.
FIG. 3 is a left side view of the eyewear display design.
FIG. 4 is a top view of the eyewear display design.
FIG. 5 is a front view of the eyewear display design.
FIG. 6 is a bottom view of the eyewear display design; and,
FIG. 7 is a rear view of the eyewear display design.

1 Claim, 4 Drawing Sheets



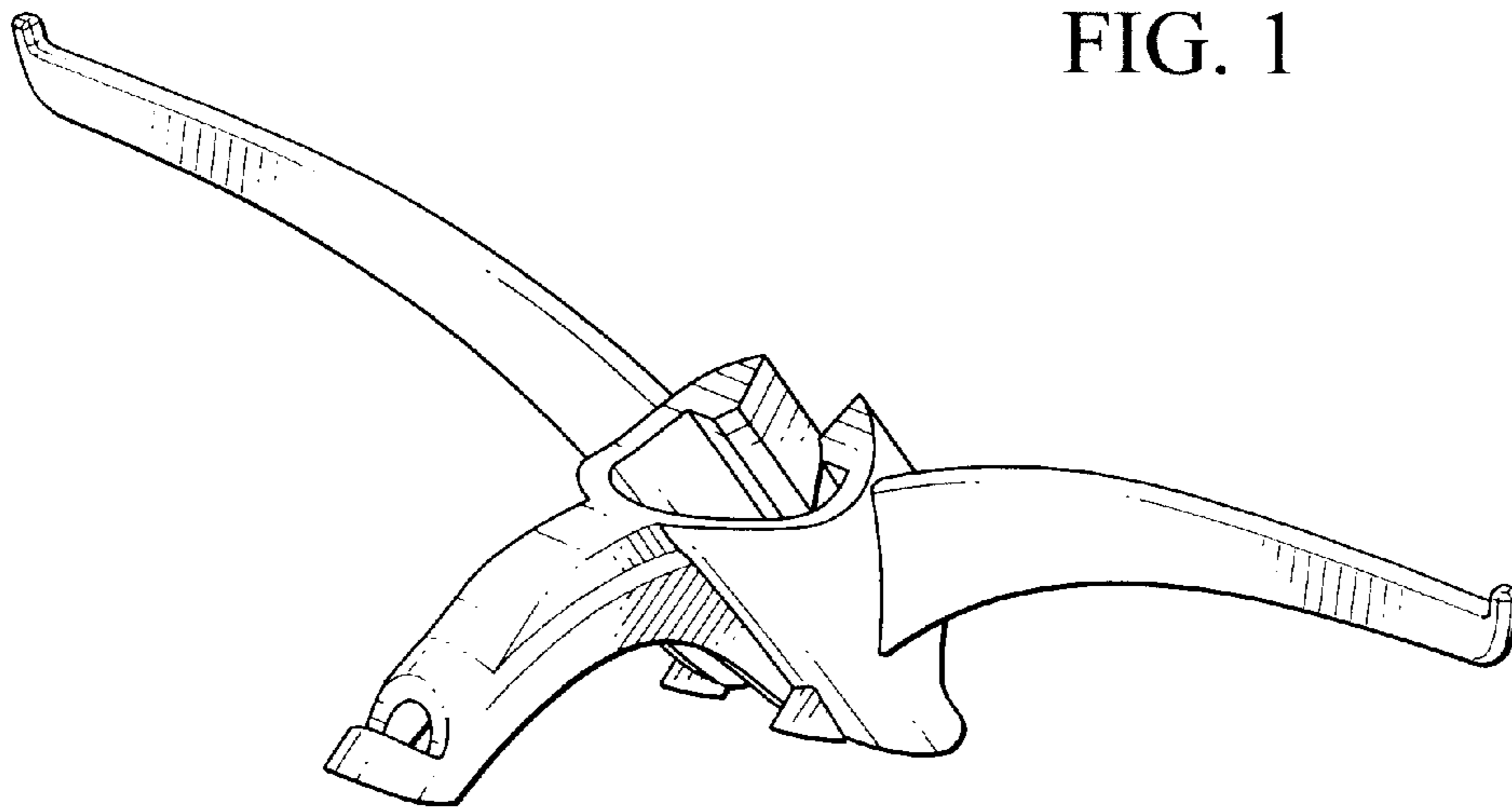


FIG. 1

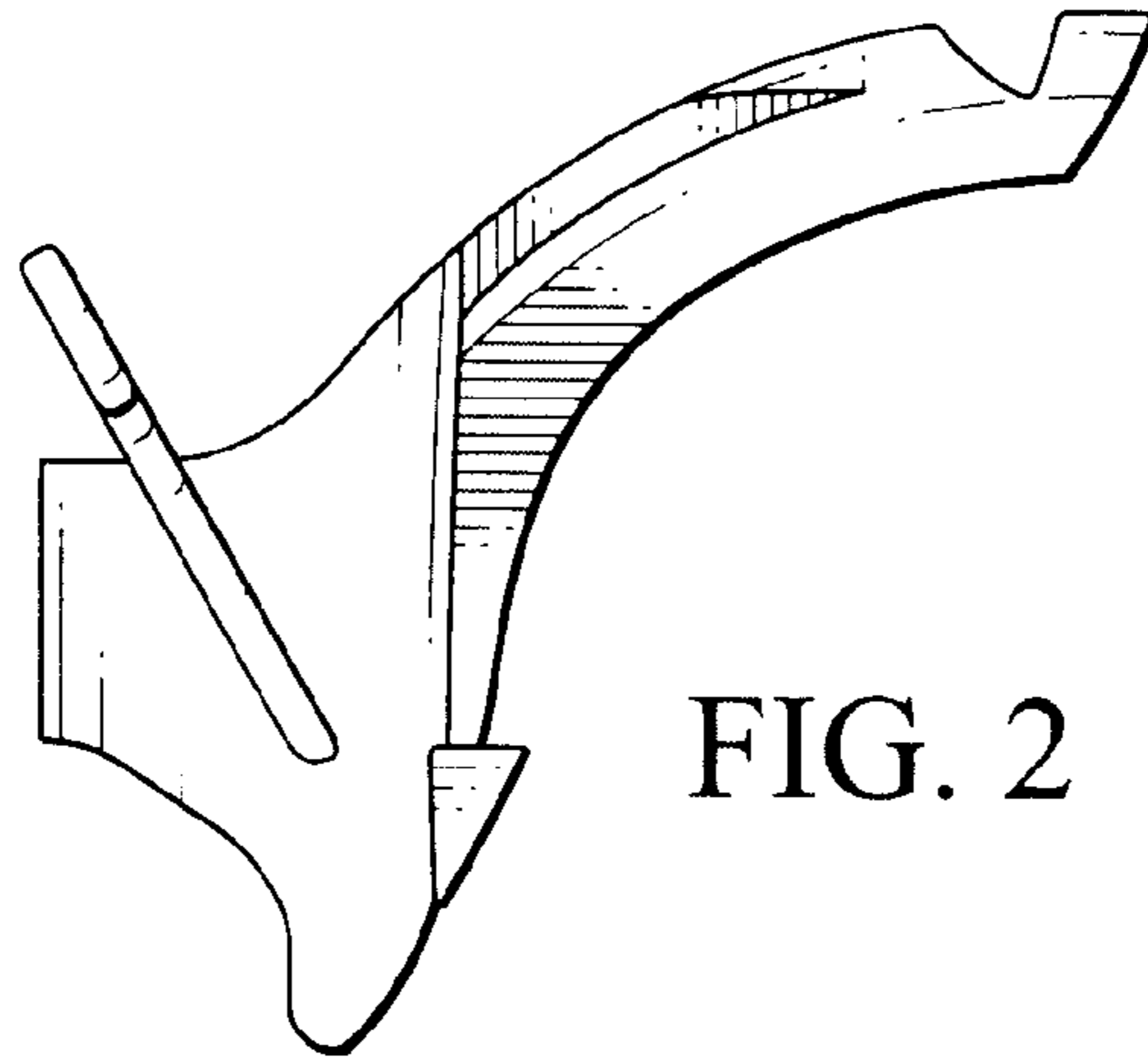


FIG. 2

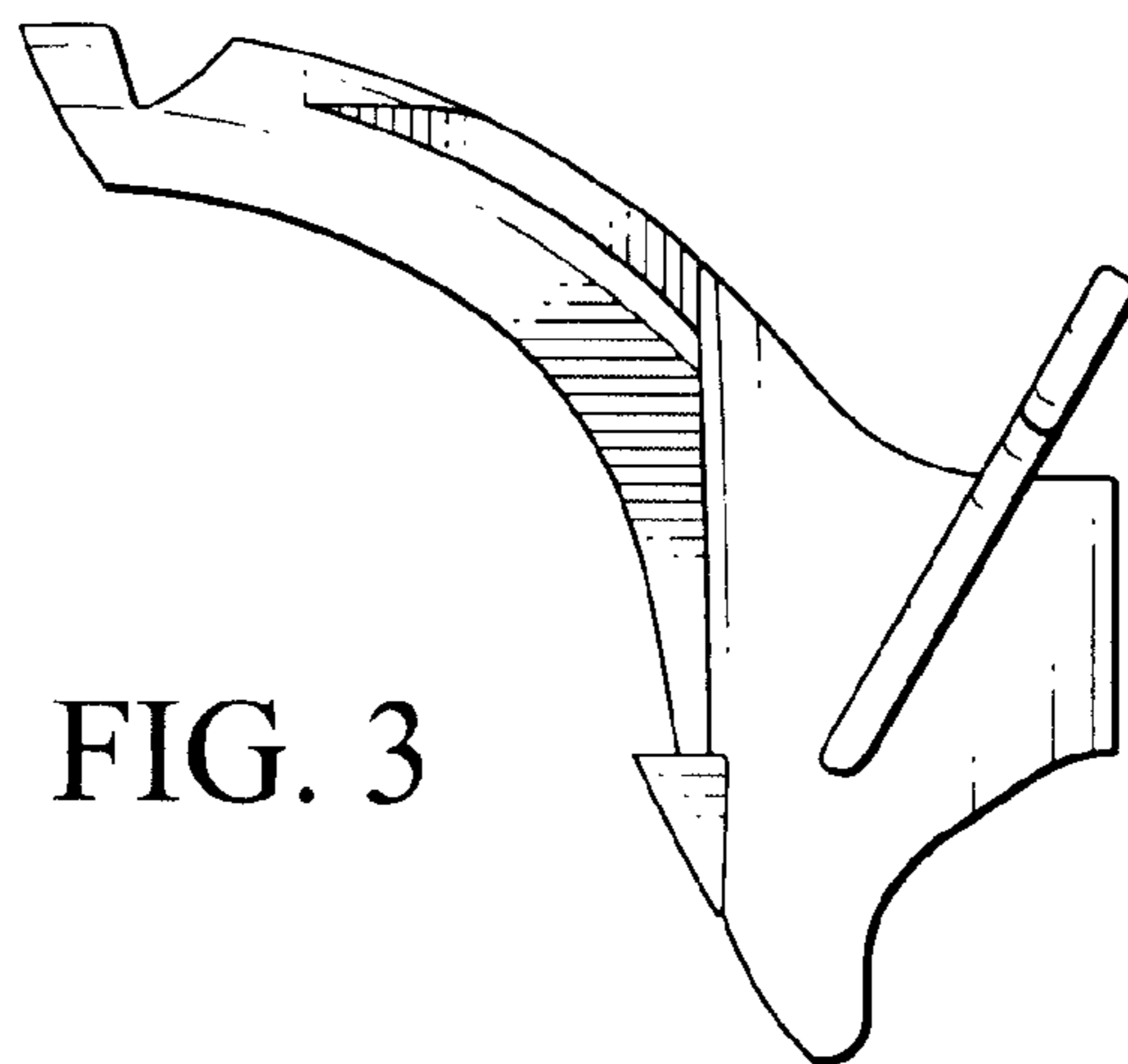
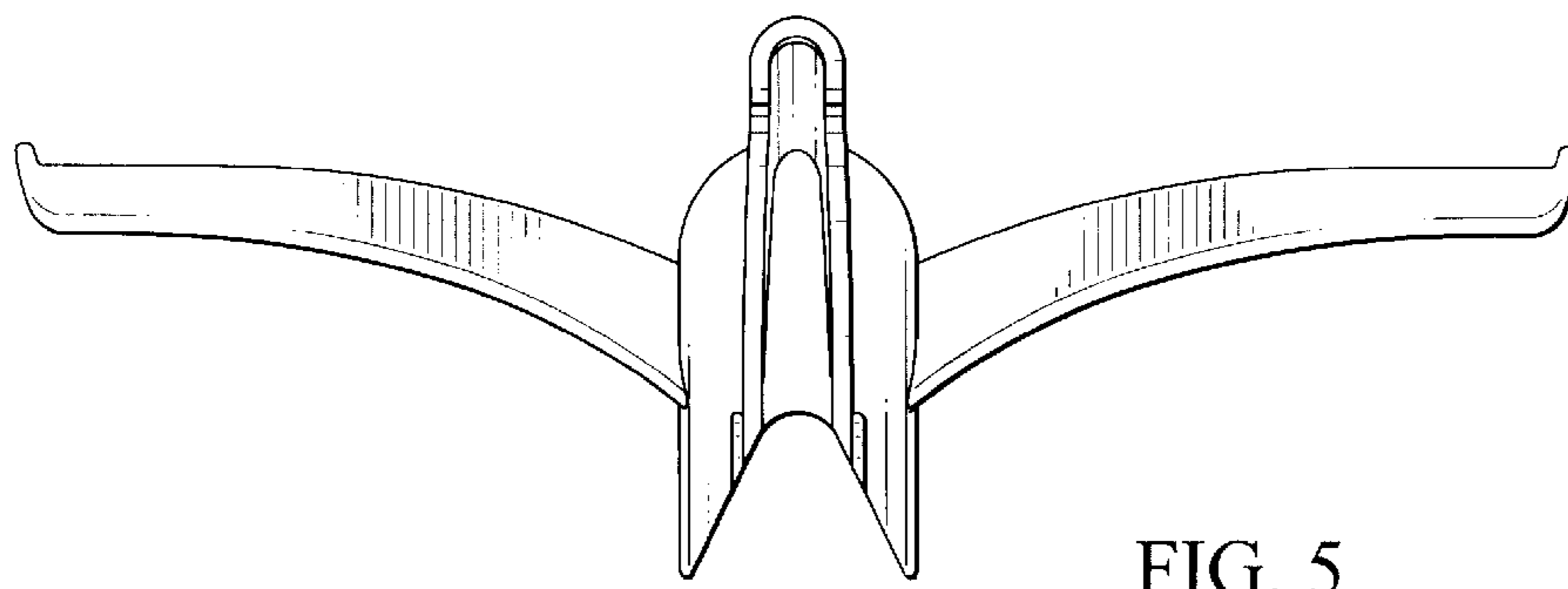
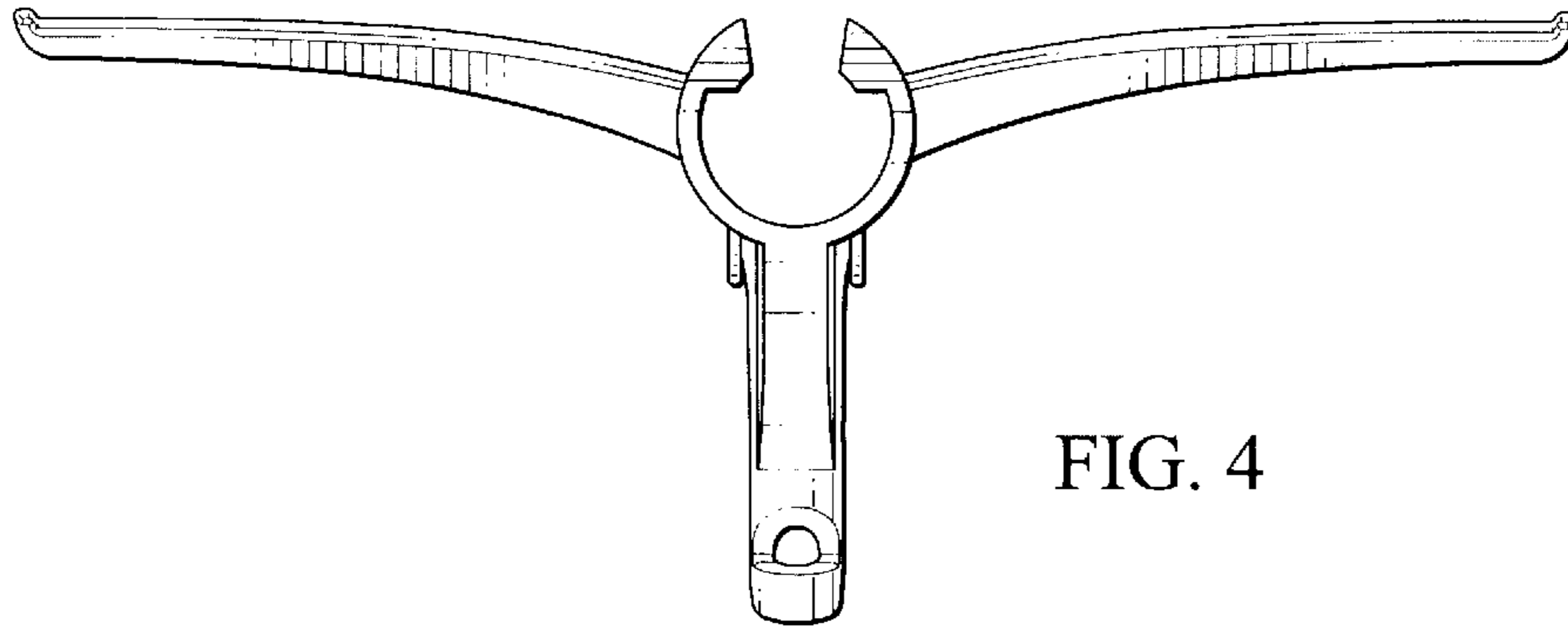


FIG. 3



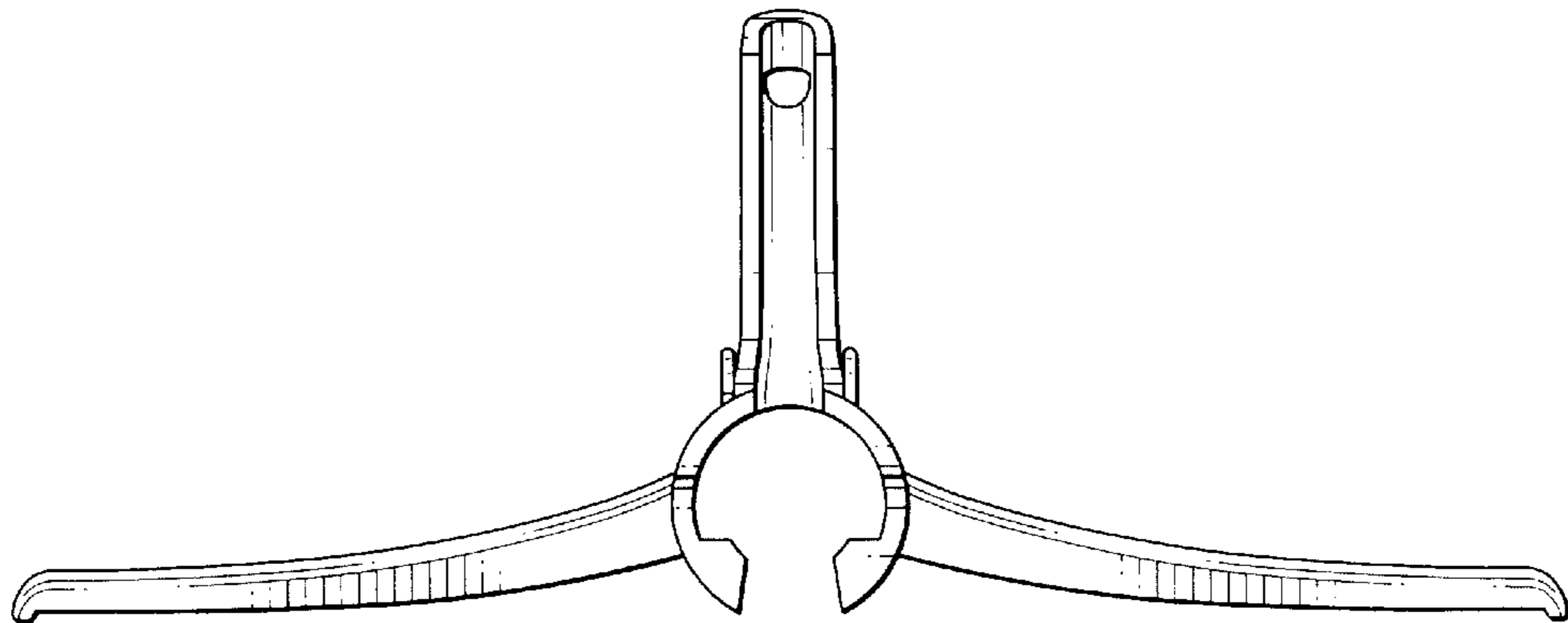


FIG. 6

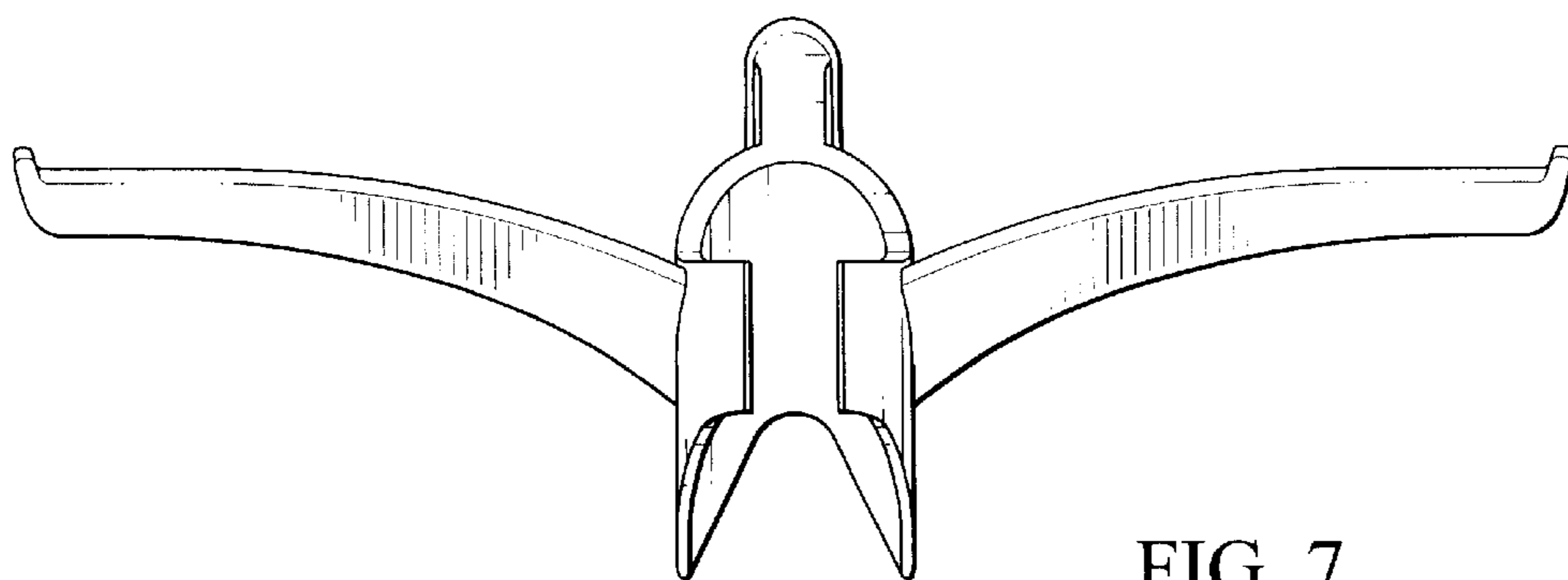


FIG. 7