



US00D536562S

(12) **United States Design Patent**
Widerman et al.

(10) **Patent No.:** **US D536,562 S**

(45) **Date of Patent:** **** Feb. 13, 2007**

(54) **MOBILE STORAGE RACK FOR EXERCISE WEIGHTS**

(76) Inventors: **Paul Widerman**, 134 Rochester Center Rd., Accord, NY (US) 12404; **Douglas Lenard**, P.O. Box 155, Kerhonkson, NY (US) 12246

(**) **Term:** **14 Years**

(21) **Appl. No.:** **29/208,086**

(22) **Filed:** **Jun. 24, 2004**

(51) **LOC (8) Cl.** **06-04**

(52) **U.S. Cl.** **D6/552; D6/465**

(58) **Field of Classification Search** D6/411,
D6/449, 452, 458, 461, 462.4, 65-467; 211/13.1,
211/69.9, 85.3, 125, 181.1, 182, 190, 193;
D11/18; D7/704; 223/88

See application file for complete search history.

(56) **References Cited**

U.S. PATENT DOCUMENTS

3,204,779 A * 9/1965 Warner 211/190

5,480,075 A * 1/1996 Robinson 223/88

D393,783 S * 4/1998 Goodman D7/704

D498,993 S * 11/2004 Grosshans D7/704

6,959,824 B1 * 11/2005 Alperson 211/193

D514,354 S * 2/2006 Nix et al. D6/462

* cited by examiner

Primary Examiner—Robert M. Spear

Assistant Examiner—Mary Ann Calabrese

(74) *Attorney, Agent, or Firm*—Levine & Mandelbaum

(57) **CLAIM**

We claim the ornamental design for a mobile storage rack for exercise weights, as shown.

DESCRIPTION

FIG. 1 is a perspective view from the front, left side, and top of a mobile storage rack for exercise weights showing our new design.

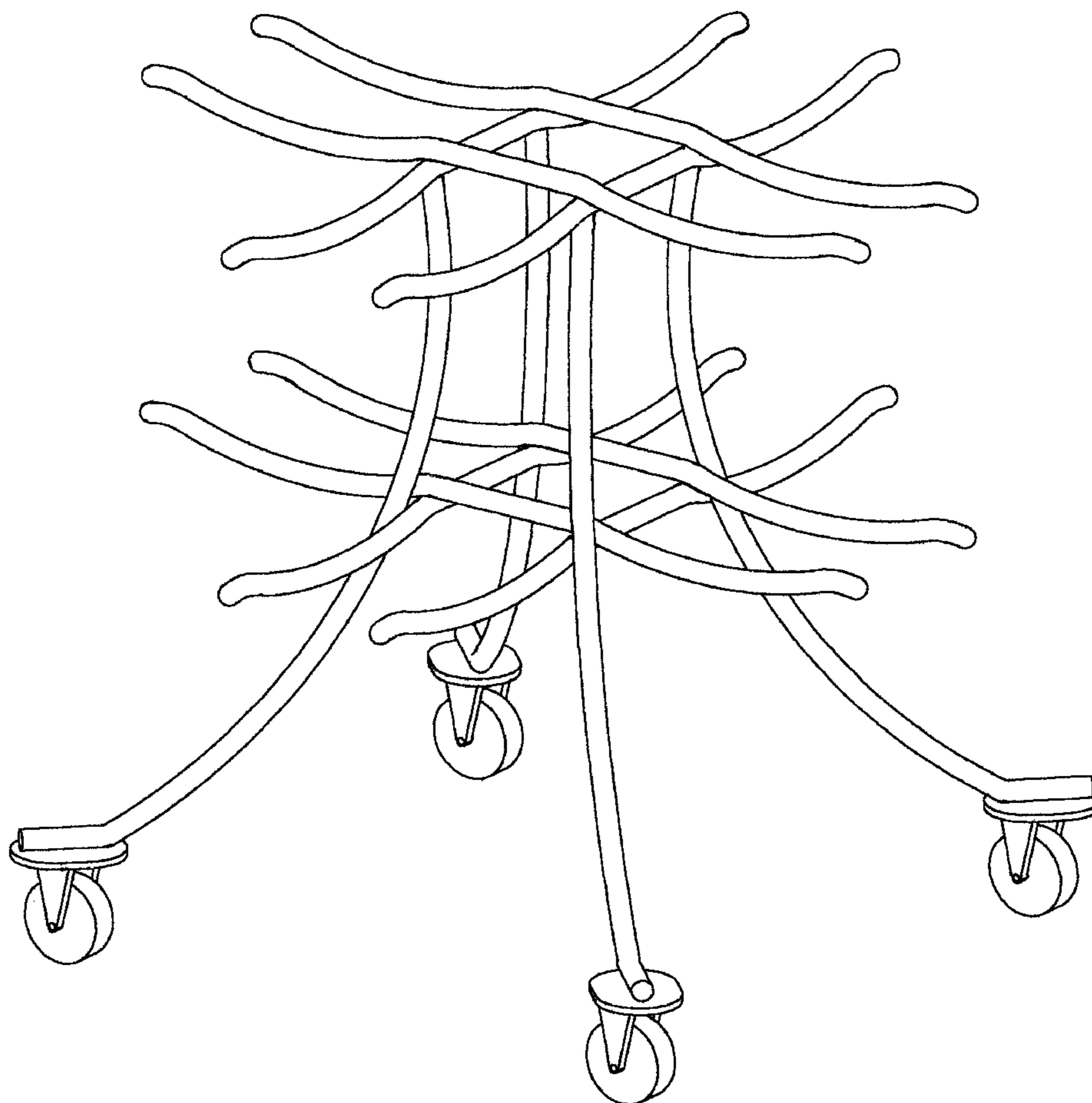
FIG. 2 is front elevational view thereof.

FIG. 3 is top plan view thereof.

FIG. 4 is a side elevational view thereof; and,

FIG. 5 is bottom view thereof.

1 Claim, 5 Drawing Sheets



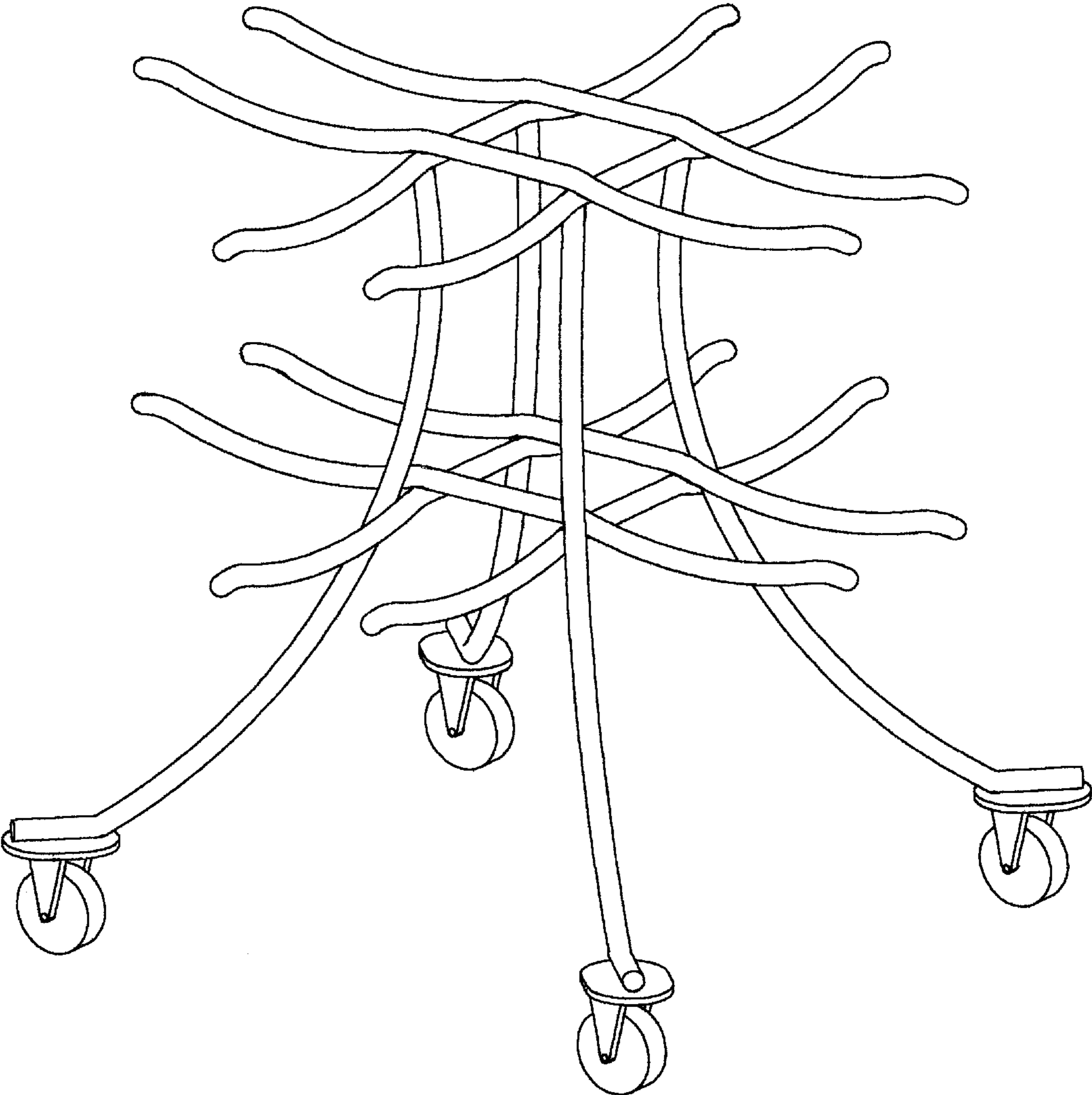


FIG. 1

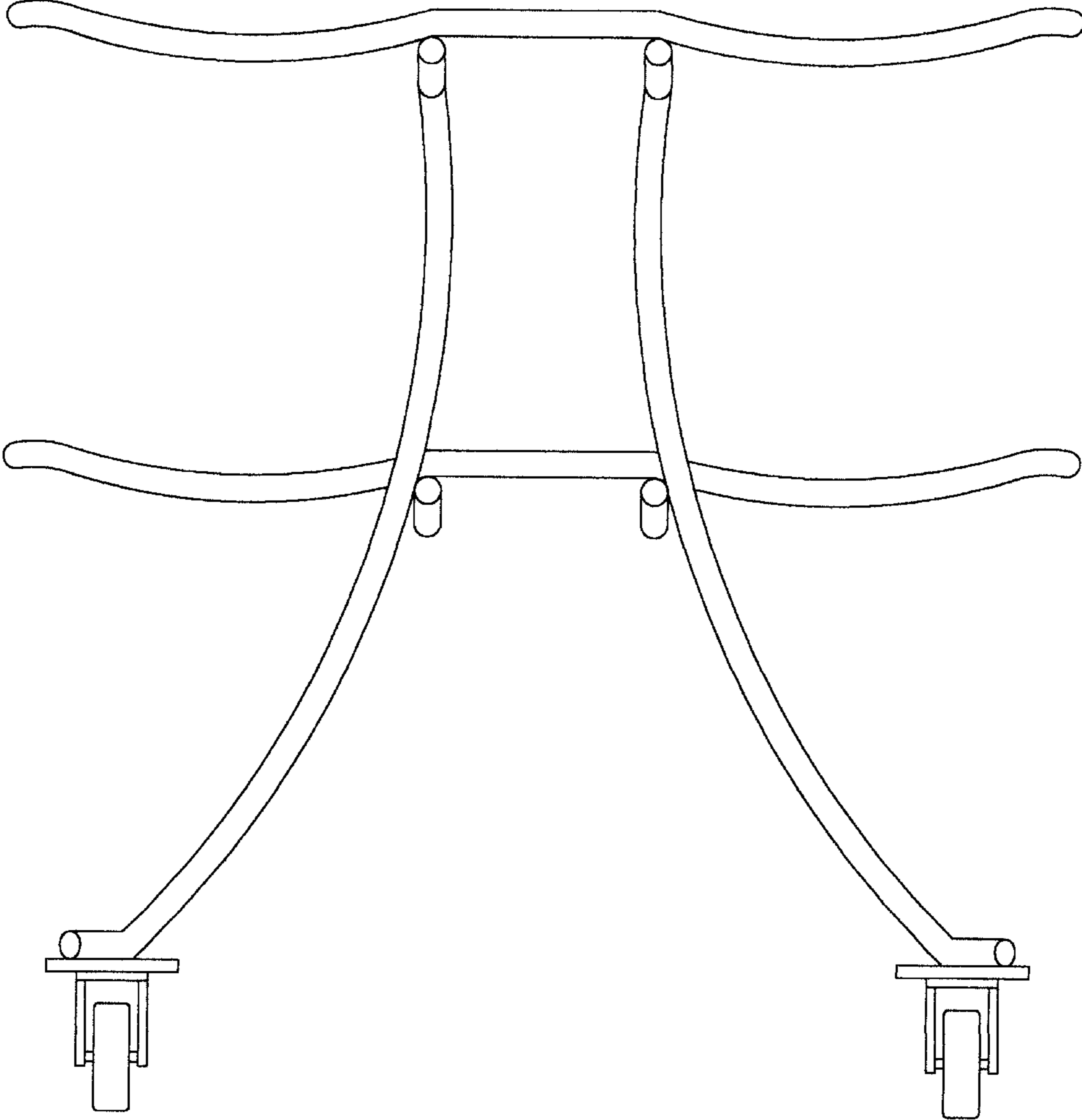


FIG.2

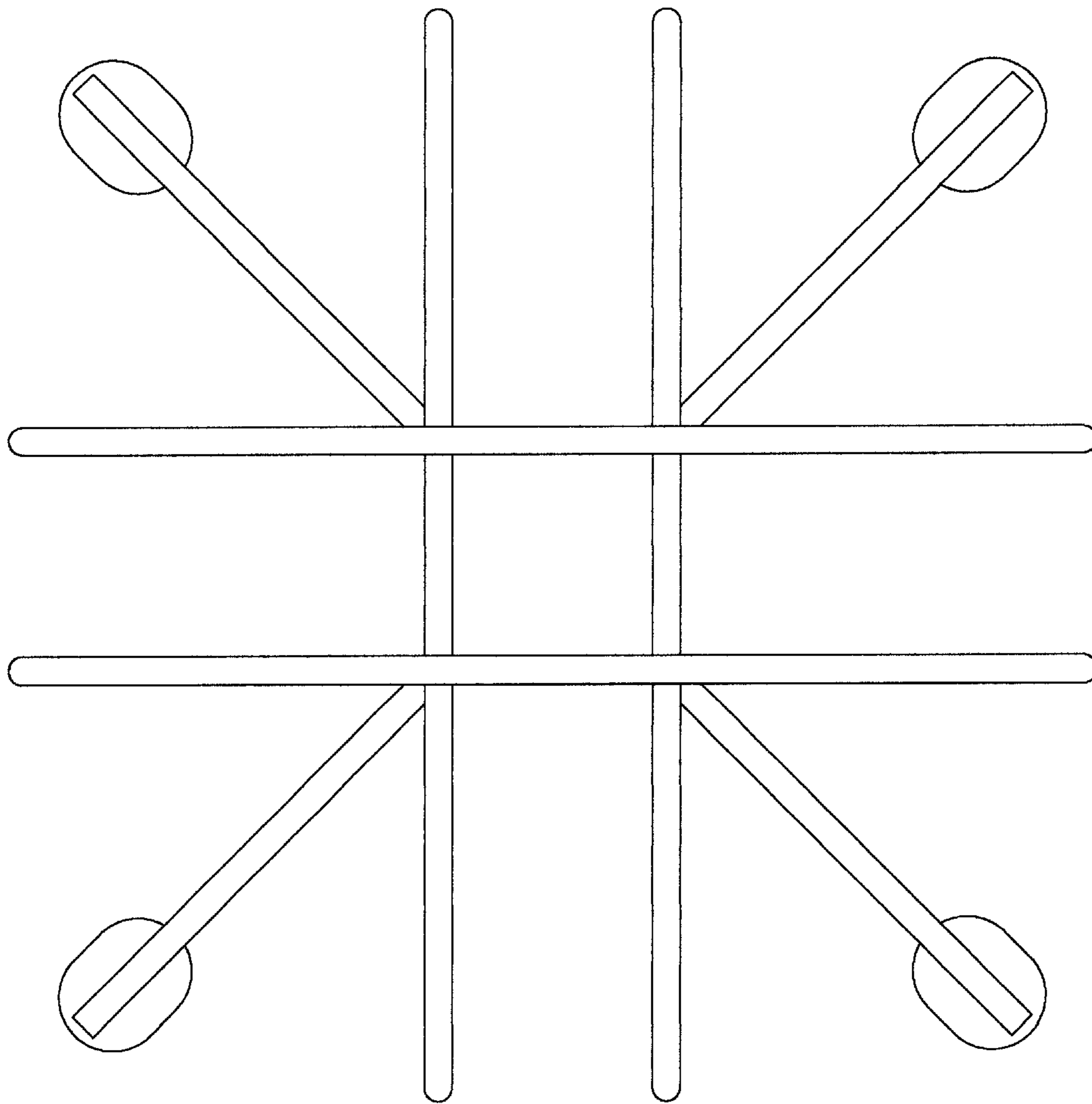


FIG.3

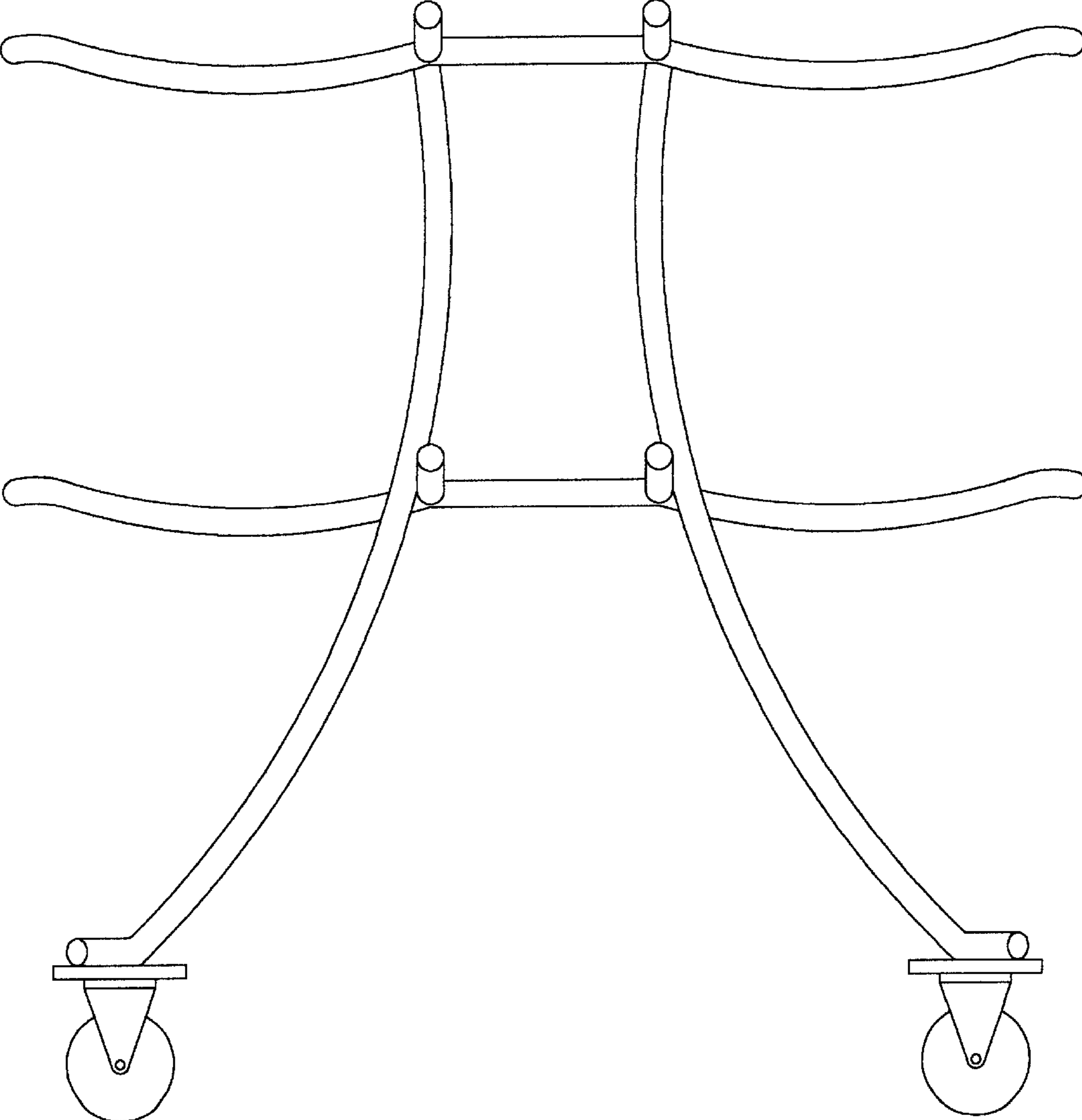


FIG.4

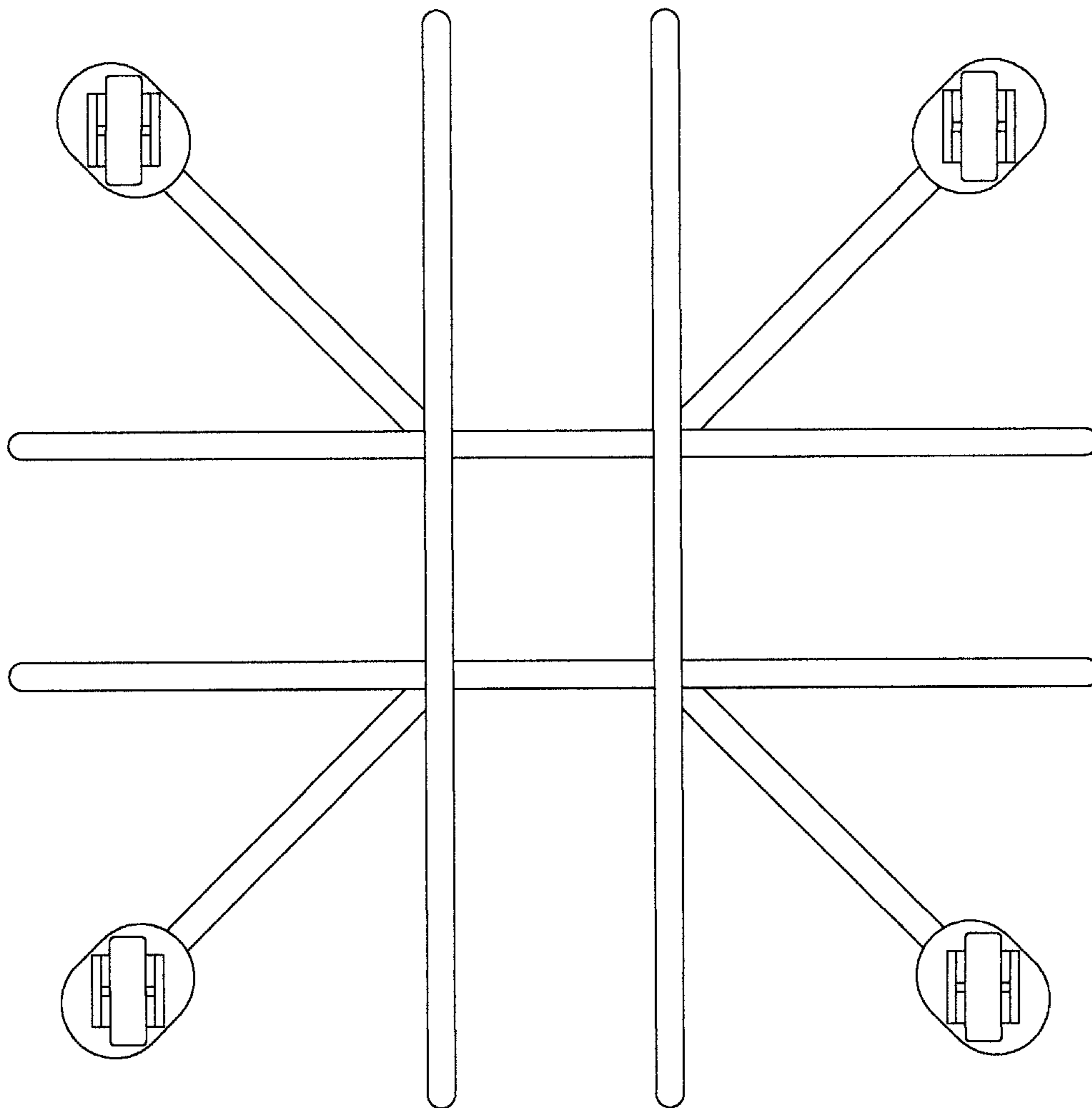


FIG.5