



US00D536556S

(12) **United States Design Patent**
Schweikarth et al.

(10) **Patent No.:** **US D536,556 S**

(45) **Date of Patent:** **** Feb. 13, 2007**

(54) **CHAIR ARMRESTS**

(75) Inventors: **Derek Schweikarth**, Jasper, IN (US);
Donald Woods, Celestine, IN (US);
Stephen Hatcher, Jasper, IN (US)

(73) Assignee: **Kimball International, Inc.**, Jasper, IN (US)

(**) Term: **14 Years**

(21) Appl. No.: **29/230,503**

(22) Filed: **May 23, 2005**

(51) **LOC (8) Cl.** **06-06**

(52) **U.S. Cl.** **D6/501; D6/366**

(58) **Field of Classification Search** D6/334-335,
D6/364, 365, 366, 367, 372-375, 379, 500-502;
297/411.2, 411.28, 411.41, 411.44
See application file for complete search history.

(56) **References Cited**

U.S. PATENT DOCUMENTS

D254,278 S	2/1980	Wilson	D6/31
D293,517 S	* 1/1988	Bellini	D6/366
D295,466 S	* 5/1988	Bellini	D6/366
D295,467 S	5/1988	Bellini	D6/366
D301,662 S	* 6/1989	Vonhausen	D6/366
D304,886 S	12/1989	Murry	D6/379
D309,837 S	8/1990	Dozsa-Farkas	D6/366
D333,735 S	* 3/1993	Carter	D6/366
D345,470 S	3/1994	Narita	D6/366
D351,069 S	10/1994	Orlandini et al.	D6/366
D351,070 S	10/1994	Scheper et al.	D6/366
D355,303 S	2/1995	Scheper et al.	D6/366
D372,799 S	8/1996	Orians et al.	D6/366
D382,149 S	8/1997	Pimental et al.	D6/500
D395,762 S	* 7/1998	Saul	D6/366
D396,567 S	8/1998	Saul	D6/366
D403,521 S	1/1999	Wilson	D6/366
D405,283 S	2/1999	James	D6/366

D411,380 S	6/1999	Goodworth et al.	D6/366
D417,102 S	11/1999	Vanderwood et al.	D6/500
D427,793 S	7/2000	Groulx et al.	D6/366
D429,584 S	8/2000	Brettschneider et al.	D6/500
D445,579 S	* 7/2001	Olson	D6/366
D447,351 S	9/2001	Sato	D6/366
D451,721 S	12/2001	Grove	D6/500
D457,760 S	5/2002	De Lucchi et al.	D6/500
D463,145 S	* 9/2002	Gasca Burges	D6/366
D494,390 S	8/2004	True	D6/500
D494,391 S	8/2004	True	D6/500
D494,788 S	8/2004	True	D6/500

* cited by examiner

Primary Examiner—Mimosa De

(74) *Attorney, Agent, or Firm*—Baker & Daniels LLP

(57) **CLAIM**

The ornamental design for chair armrests, as shown and described.

DESCRIPTION

FIG. 1 is a front perspective view of a pair of chair armrests according to a first embodiment of our new design;

FIG. 2 is a front view thereof;

FIG. 3 is a rear view thereof;

FIG. 4 is a left side view thereof;

FIG. 5 is a right side view thereof; and

FIG. 6 is a top view thereof;

FIG. 7 is a front perspective view of a pair of chair armrests according to a second embodiment of our new design;

FIG. 8 is a front view thereof;

FIG. 9 is a rear view thereof;

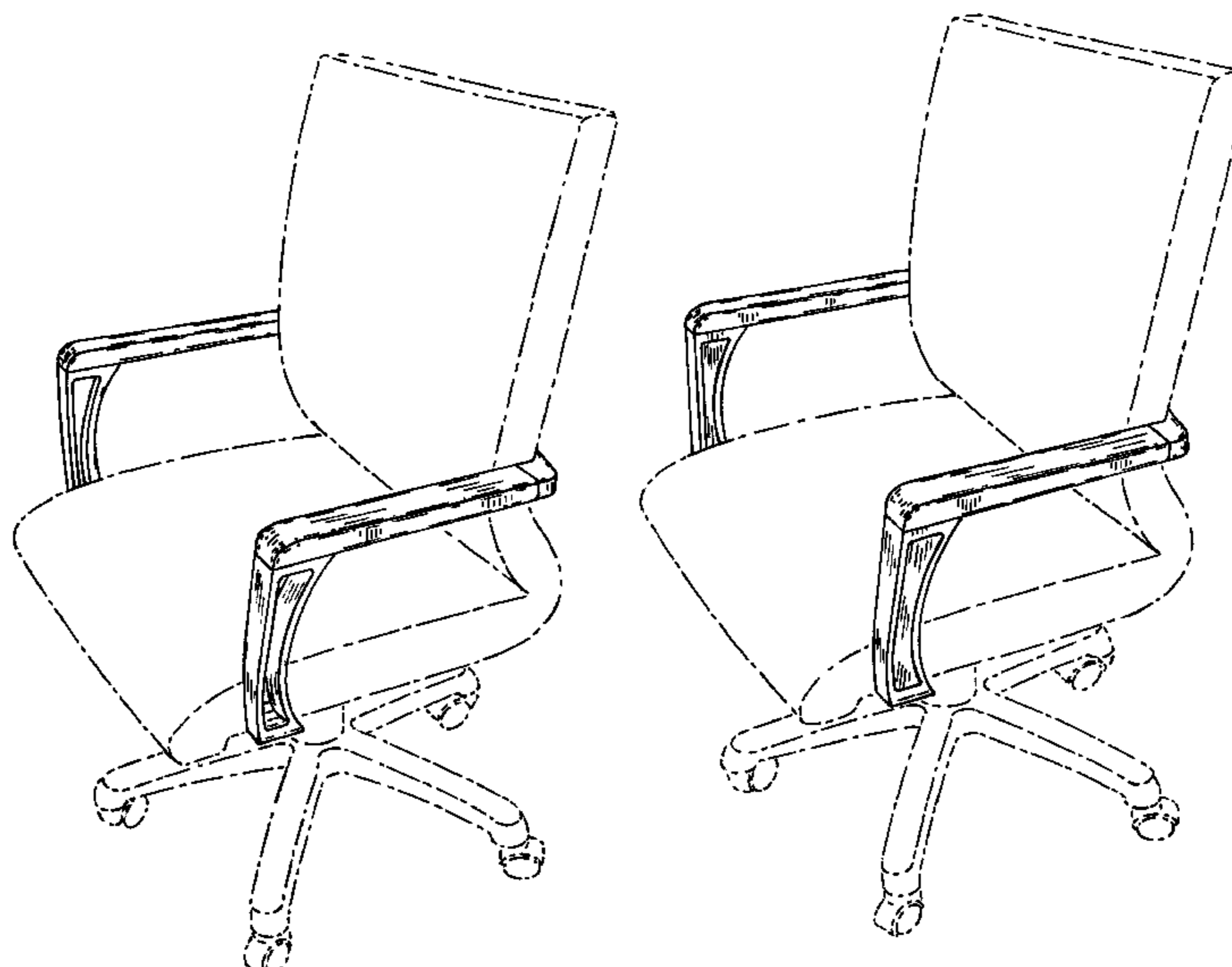
FIG. 10 is a left side view thereof;

FIG. 11 is a right side view thereof; and,

FIG. 12 is a top view thereof.

Features shown in dashed lines form no part of the claimed designs.

1 Claim, 6 Drawing Sheets



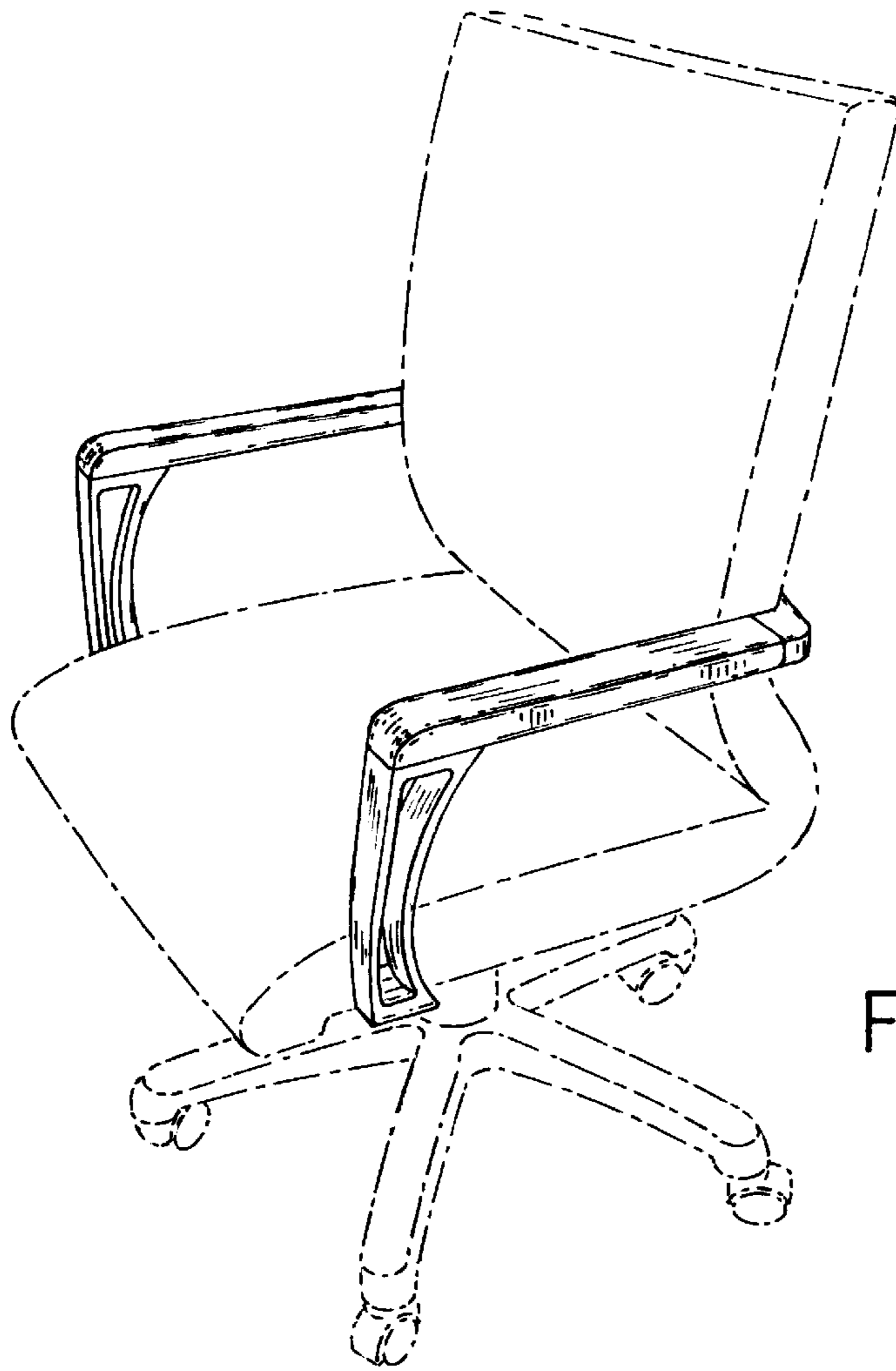


FIG. 1

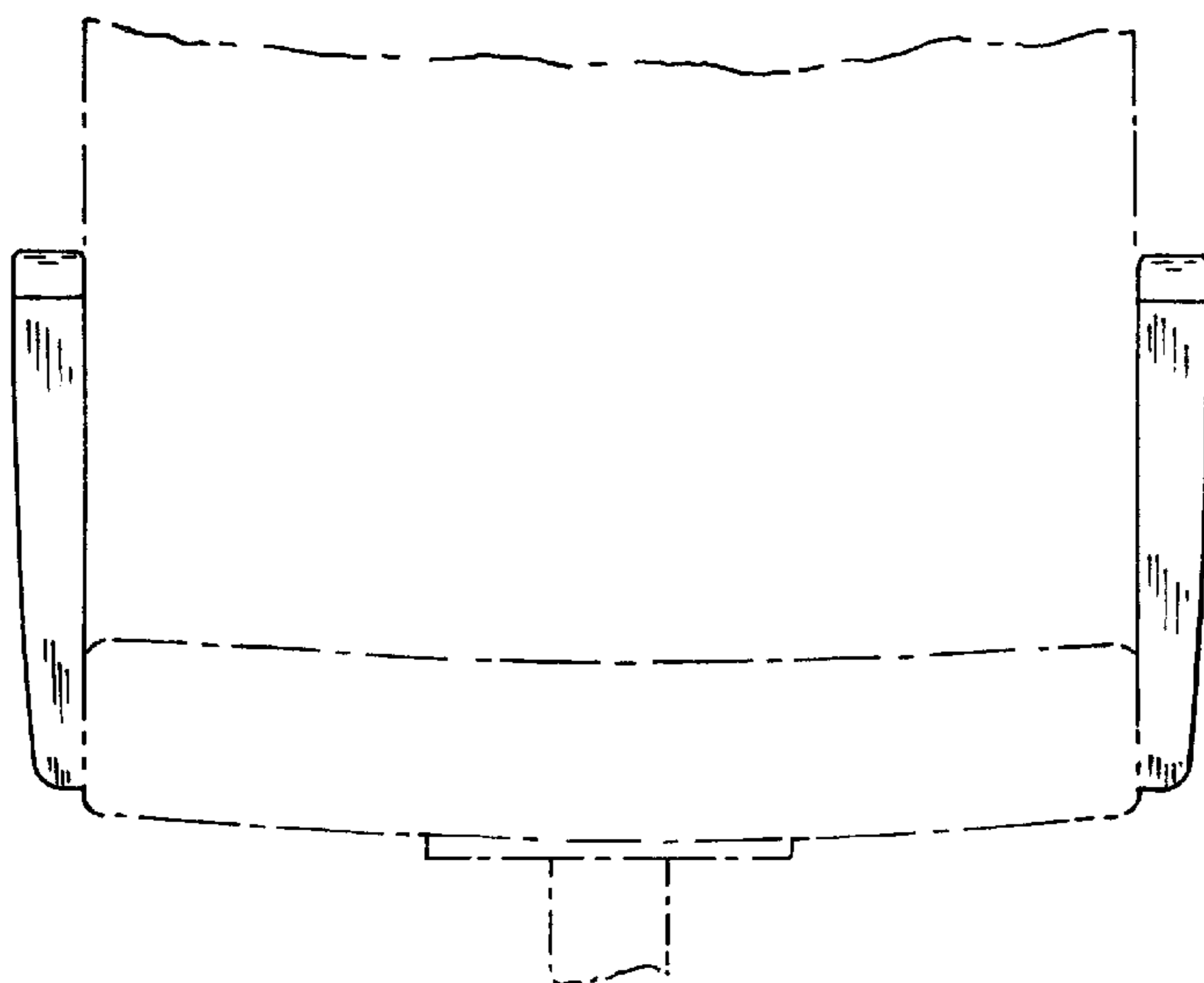


FIG. 2

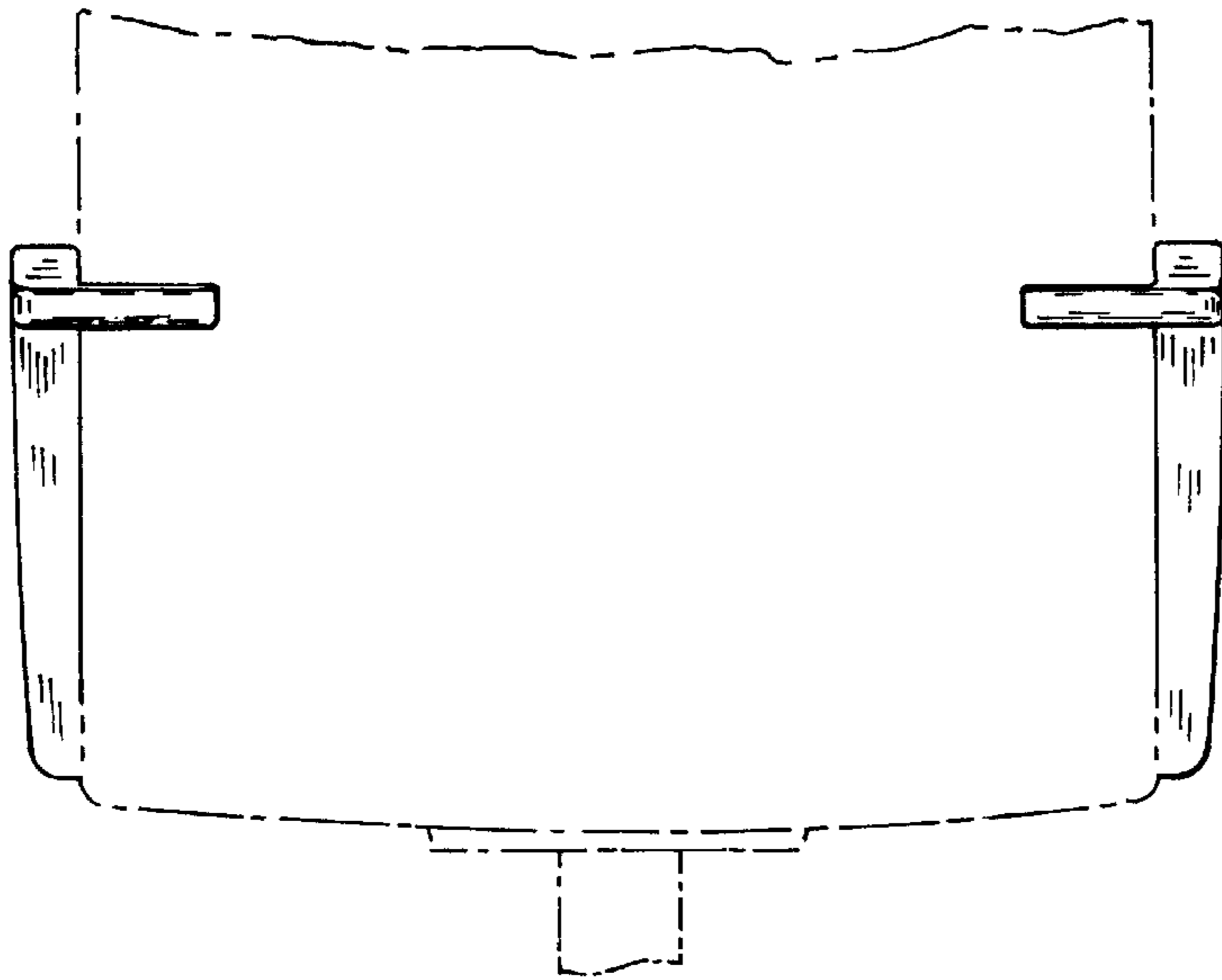


FIG. 3

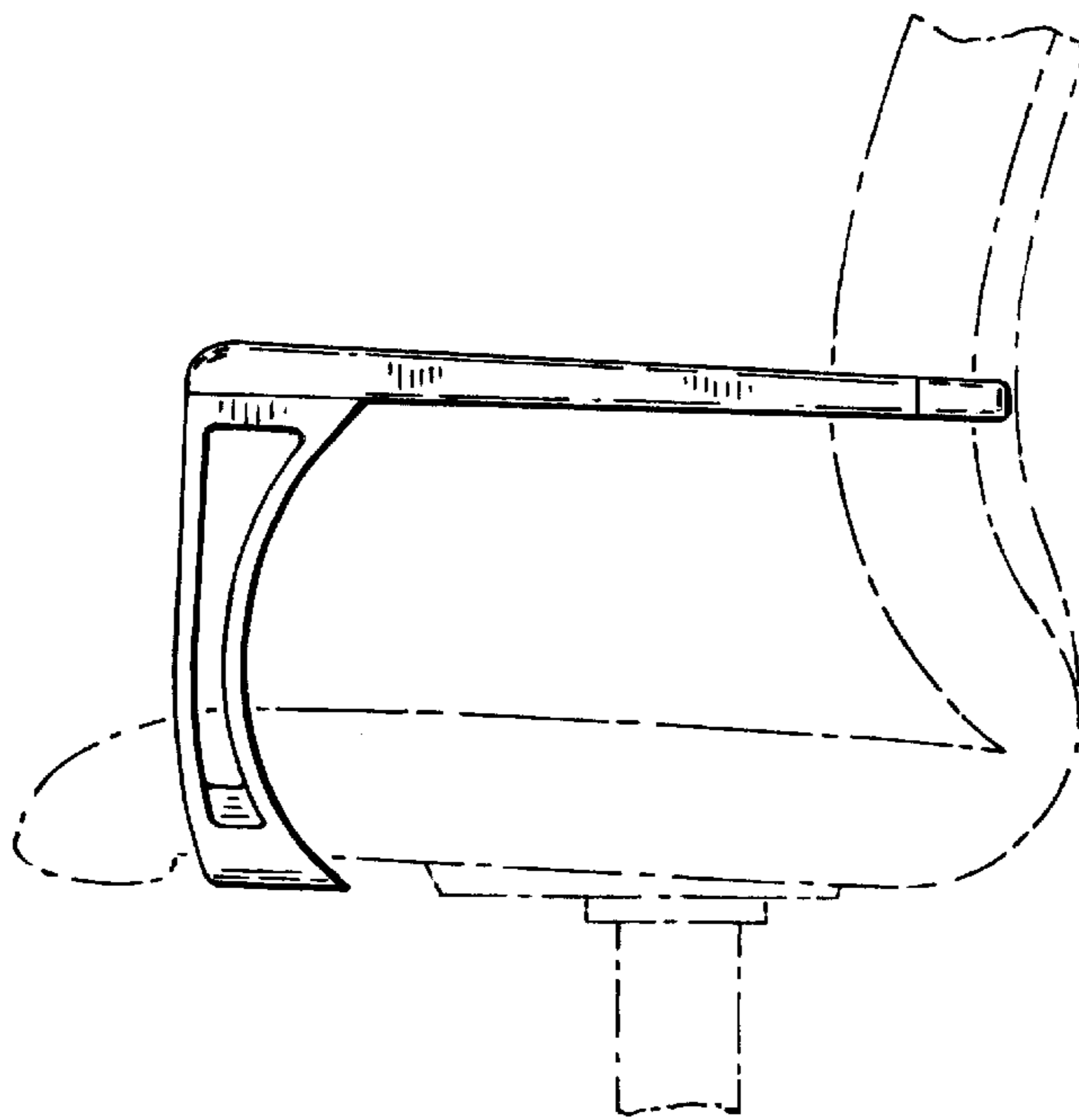


FIG. 4

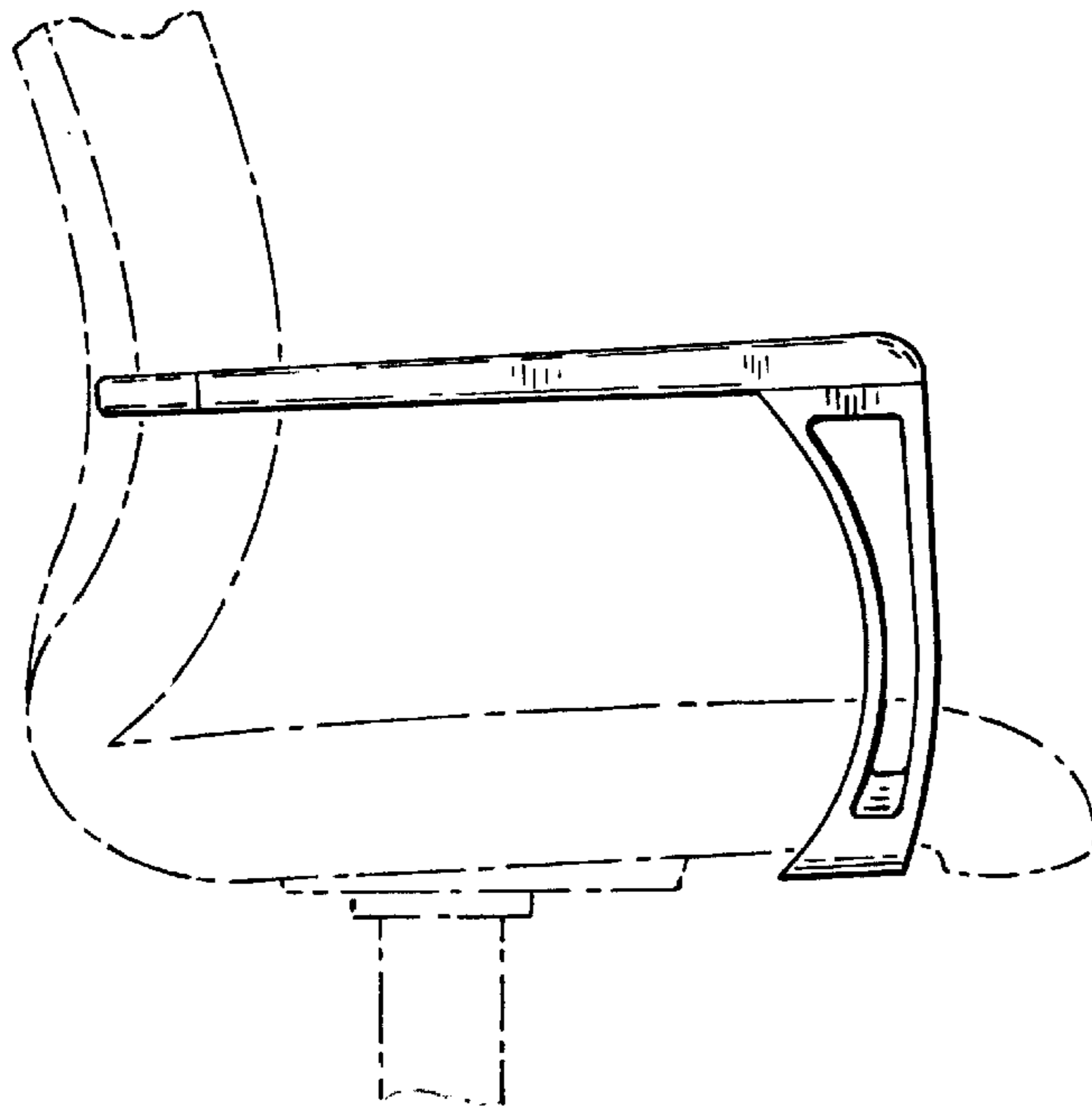


FIG. 5

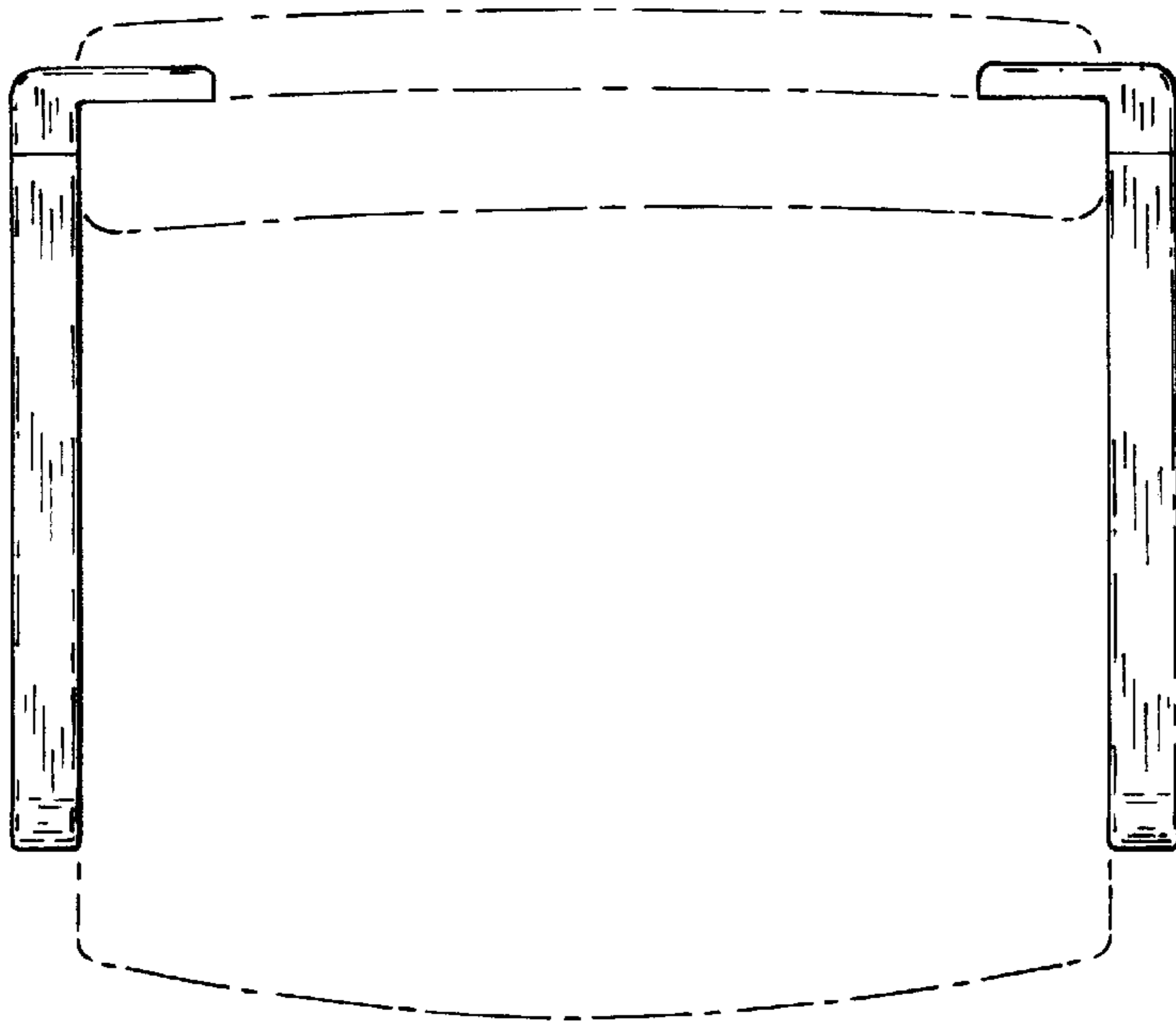


FIG. 6

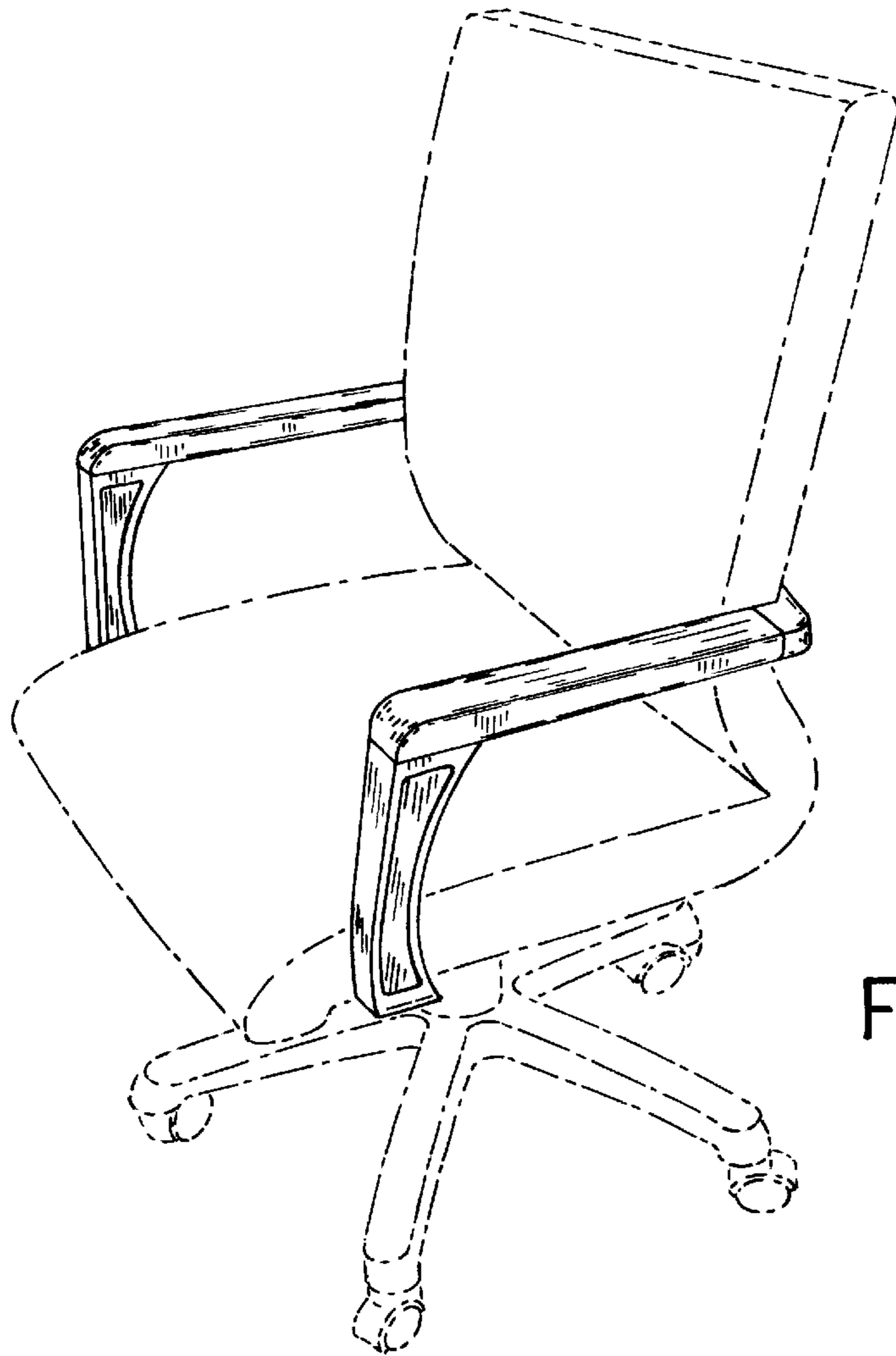


FIG. 7

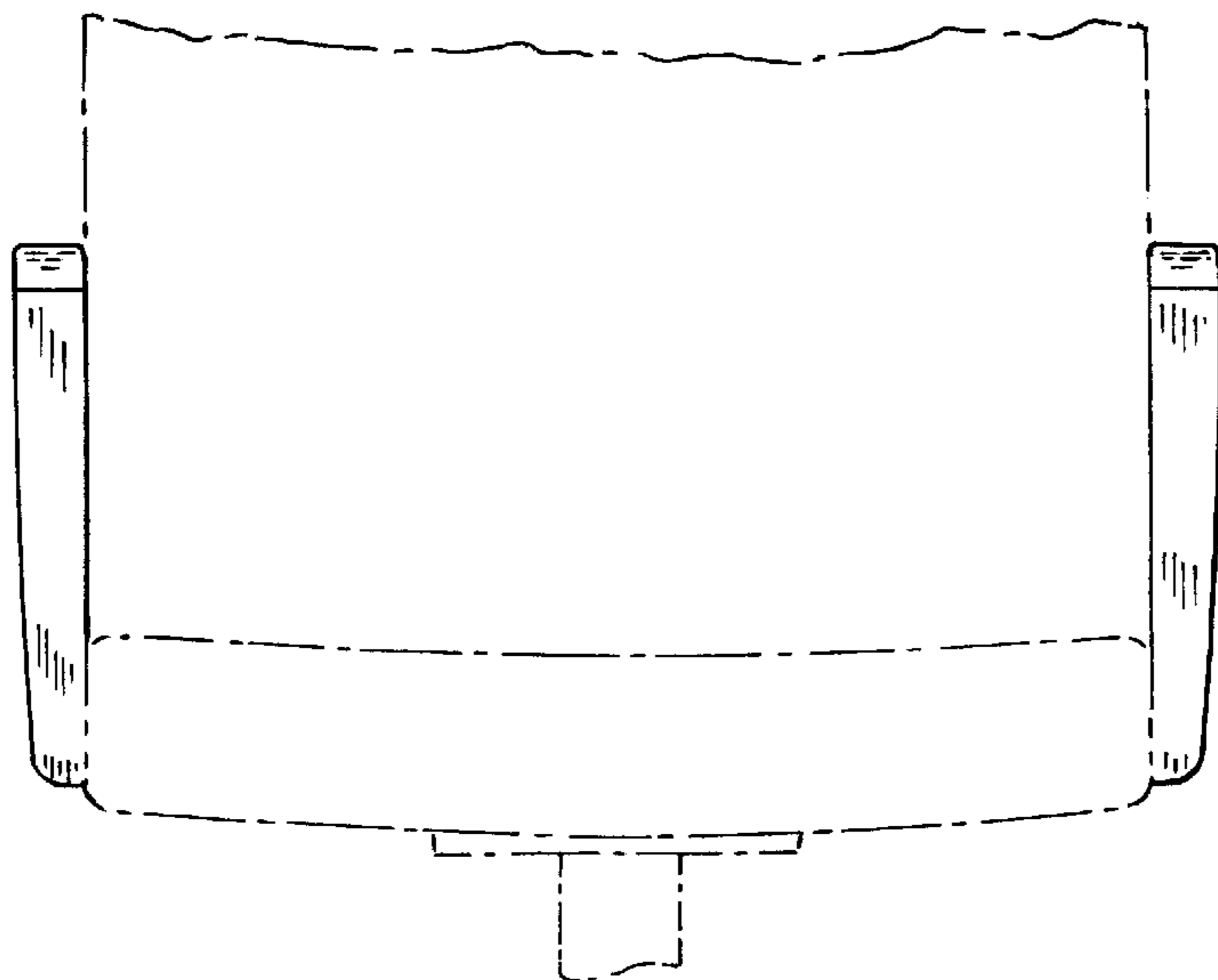


FIG. 8

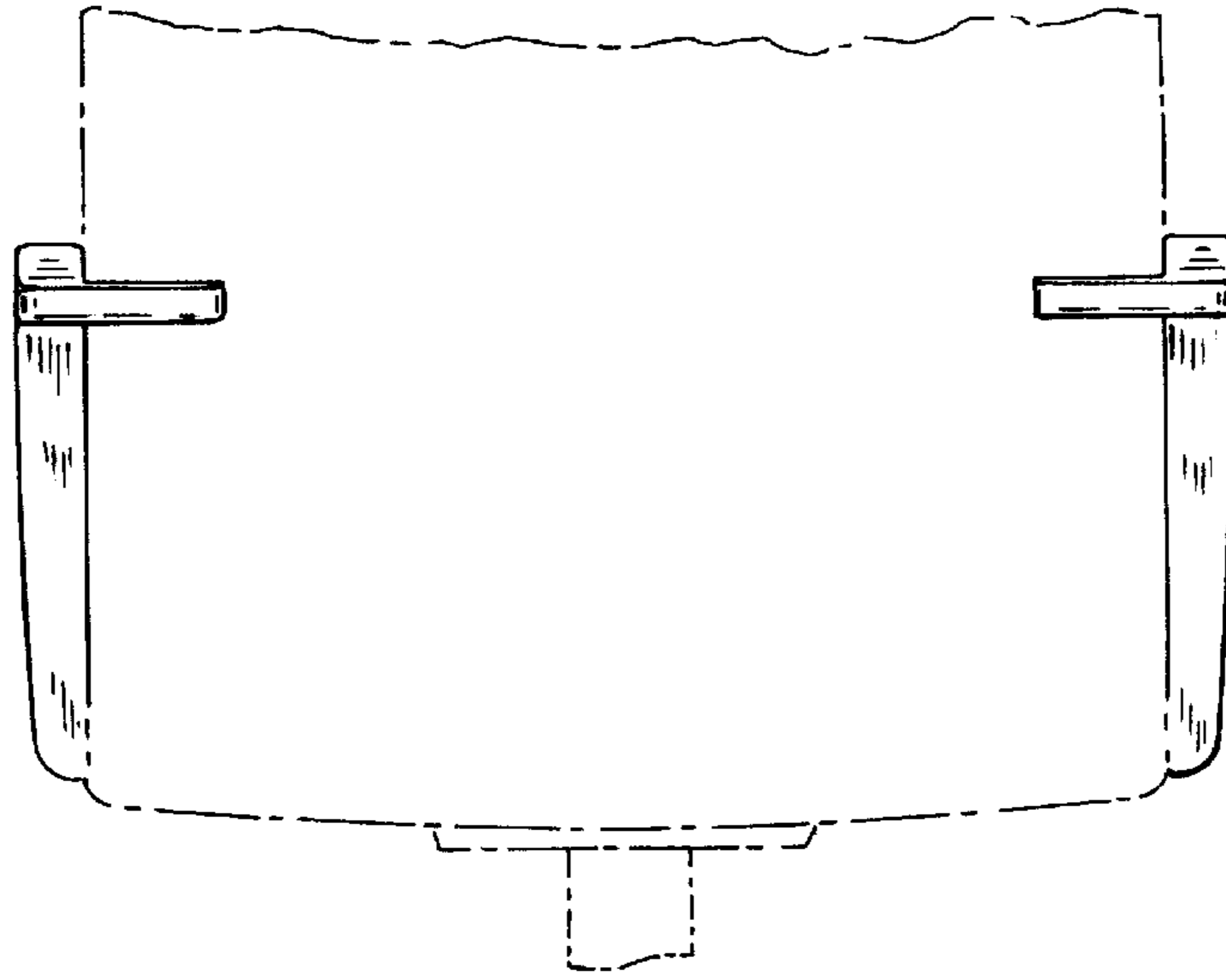


FIG. 9

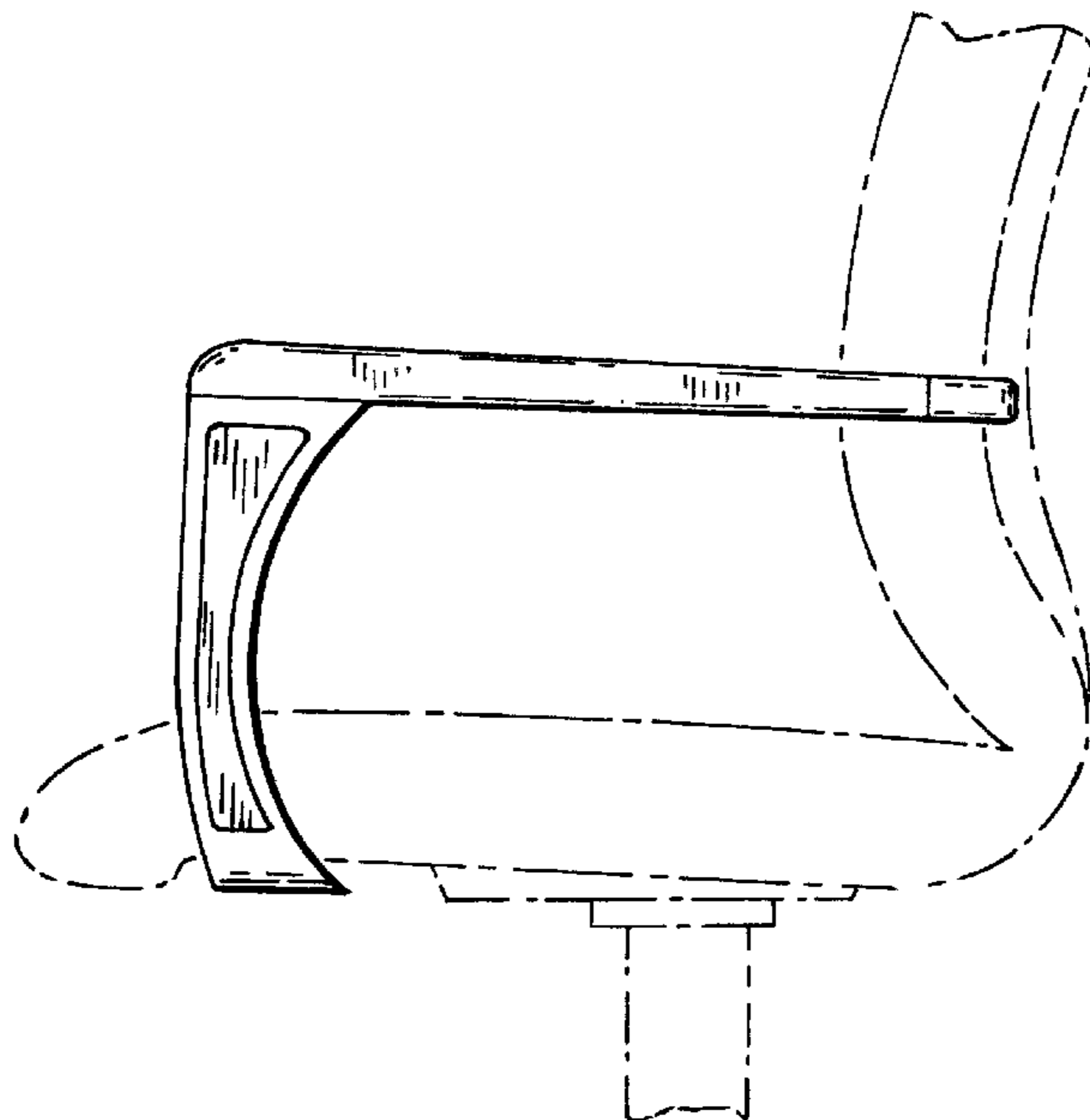


FIG. 10

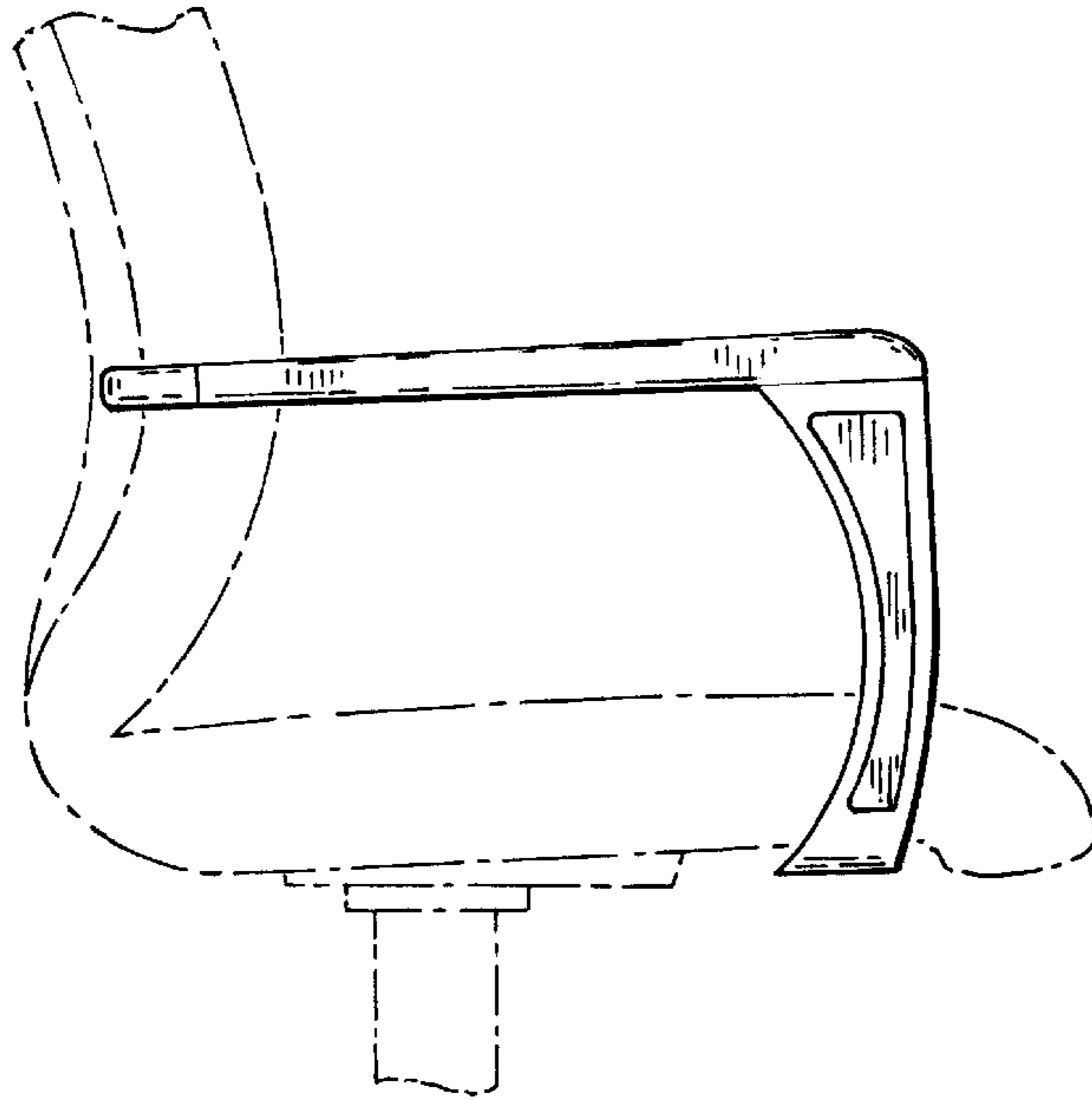


FIG. 11

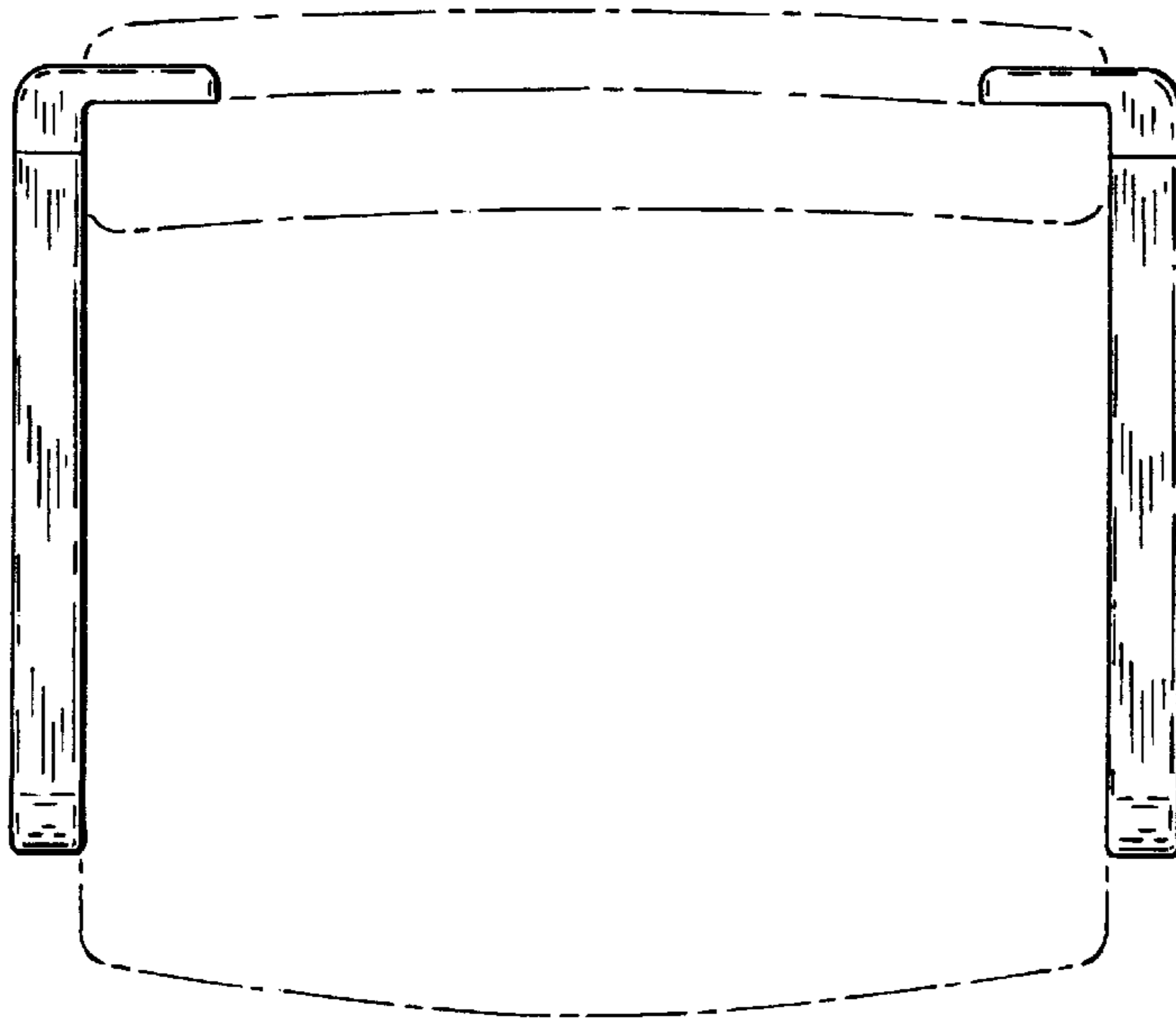


FIG. 12