



US00D536554S

(12) **United States Design Patent**
True

(10) **Patent No.:** **US D536,554 S**

(45) **Date of Patent:** **** Feb. 13, 2007**

(54) **SEAT AND BACK REST FOR A CHAIR**

D518,319 S * 4/2006 True D6/500

(75) Inventor: **Alan L. True**, San Juan Capistrano, CA (US)

* cited by examiner

Primary Examiner—Mimosa De

(73) Assignee: **True Seating Concepts, LLC** (MU)

(74) *Attorney, Agent, or Firm*—Morland C. Fischer

(**) Term: **14 Years**

(57) **CLAIM**

(21) Appl. No.: **29/239,630**

The ornamental design for a seat and back rest for a chair, as shown and described.

(22) Filed: **Oct. 3, 2005**

DESCRIPTION

(51) **LOC (8) Cl.** **06-01**

(52) **U.S. Cl.** **D6/500; D6/366**

(58) **Field of Classification Search** D6/334-335, D6/356, 364, 365, 366, 367, 368, 374, 500-502; 297/452.21, 452.24, 452.26, 452.32, 452.33, 297/452.37, 452.48

See application file for complete search history.

FIG. 1 is a perspective view showing the top, left side and front of a seat and back rest for a chair which form my new design, the broken lines in this and other figures showing other parts of the chair being for illustrative purposes only and forming no part of my design;

FIG. 2 is a perspective view showing the top, left side and rear thereof;

FIG. 3 is a front elevational view thereof;

FIG. 4 is a left side elevational view thereof;

FIG. 5 is a rear elevational view thereof;

FIG. 6 is a right side elevational view thereof;

FIG. 7 is a top plan view; and,

FIG. 8 is a bottom plan view thereof.

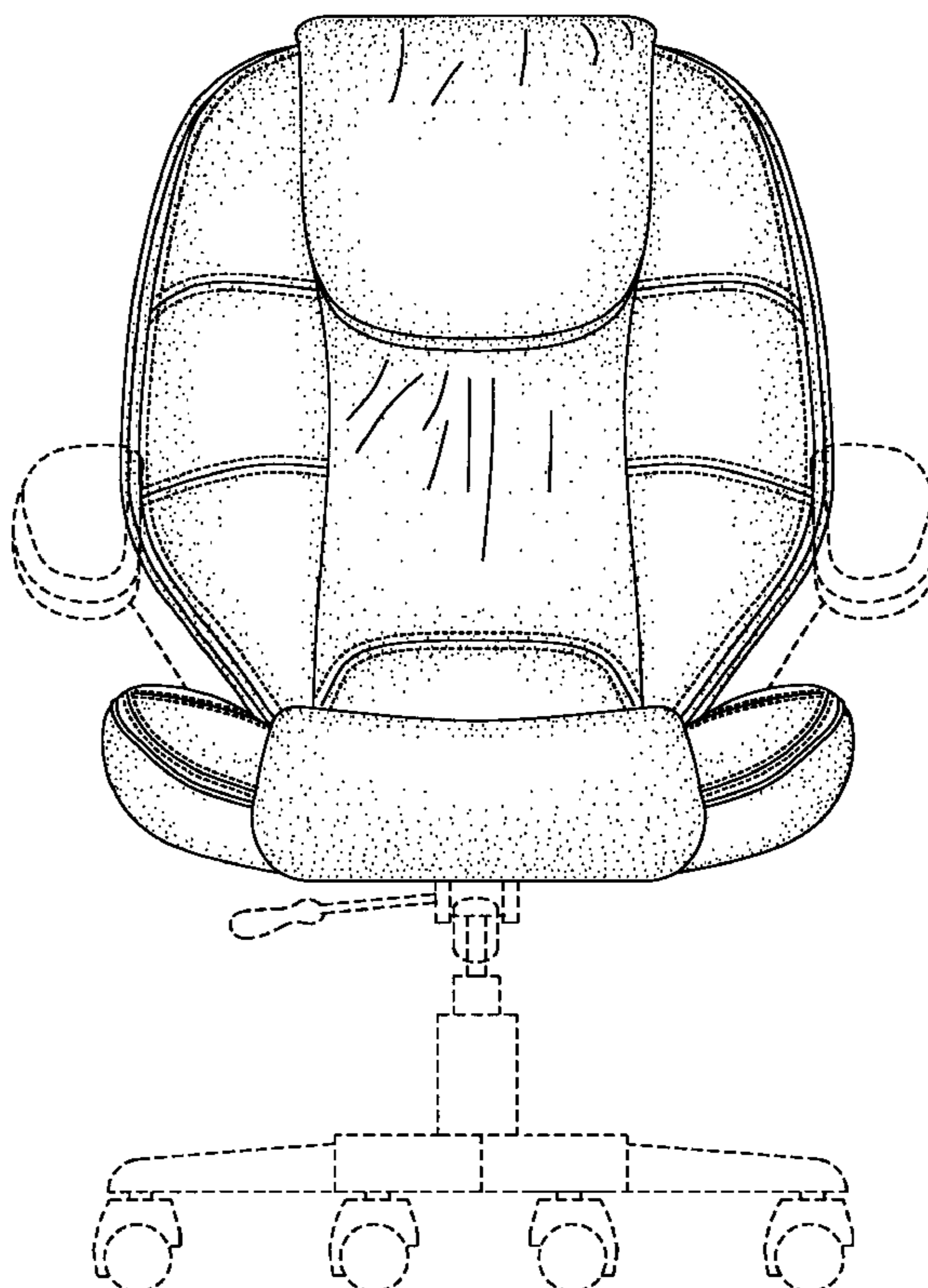
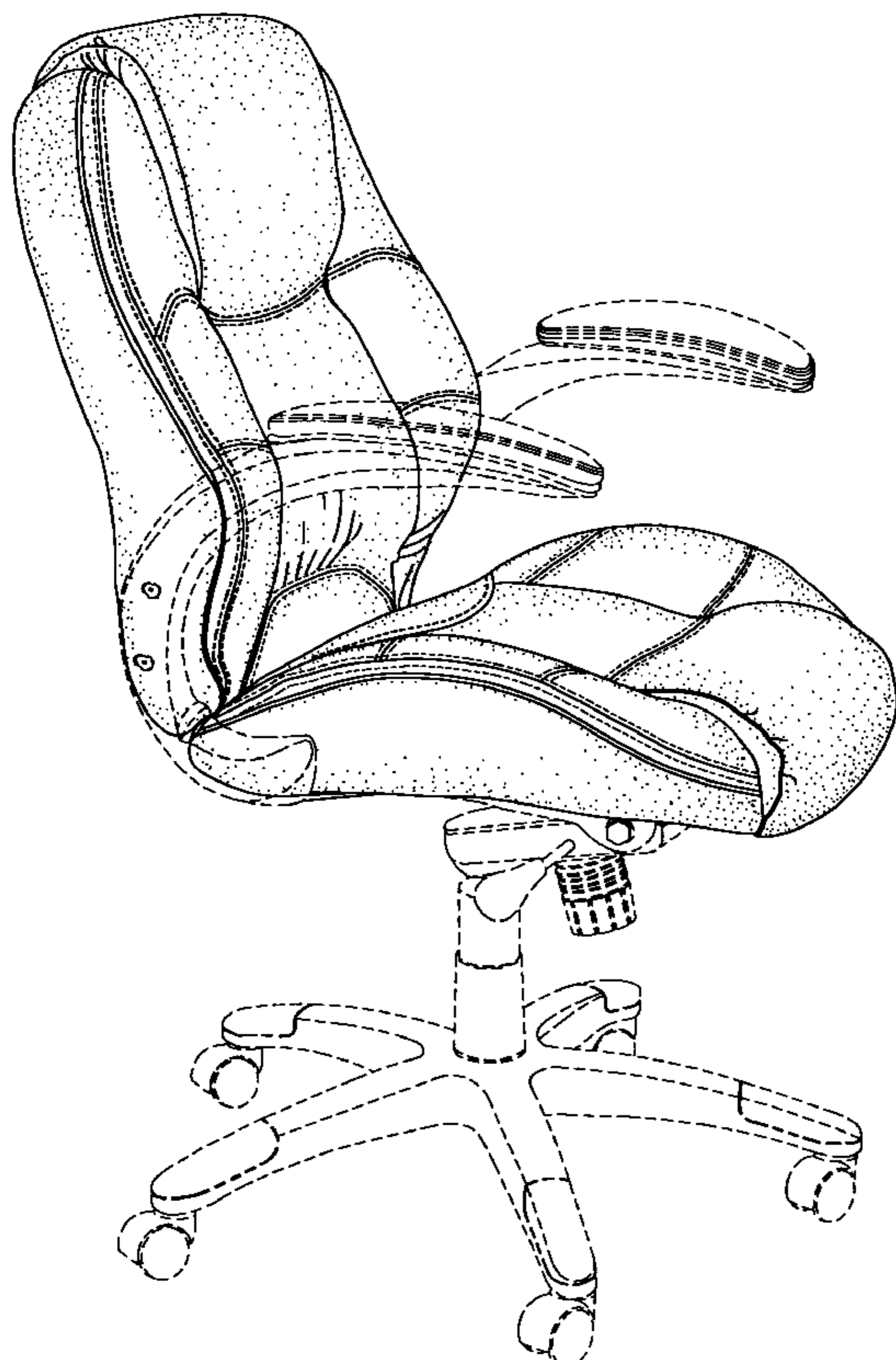
The short broken lines shown on the seat and back rest in FIGS. 1 through 8 are understood to represent stitching.

(56) **References Cited**

U.S. PATENT DOCUMENTS

D437,131 S	*	2/2001	Tseng	D6/366
D491,398 S	*	6/2004	True	D6/500
D494,391 S	*	8/2004	True	D6/500
D494,788 S	*	8/2004	True	D6/500
D495,906 S	*	9/2004	True	D6/500
D511,260 S	*	11/2005	True	D6/500

1 Claim, 4 Drawing Sheets



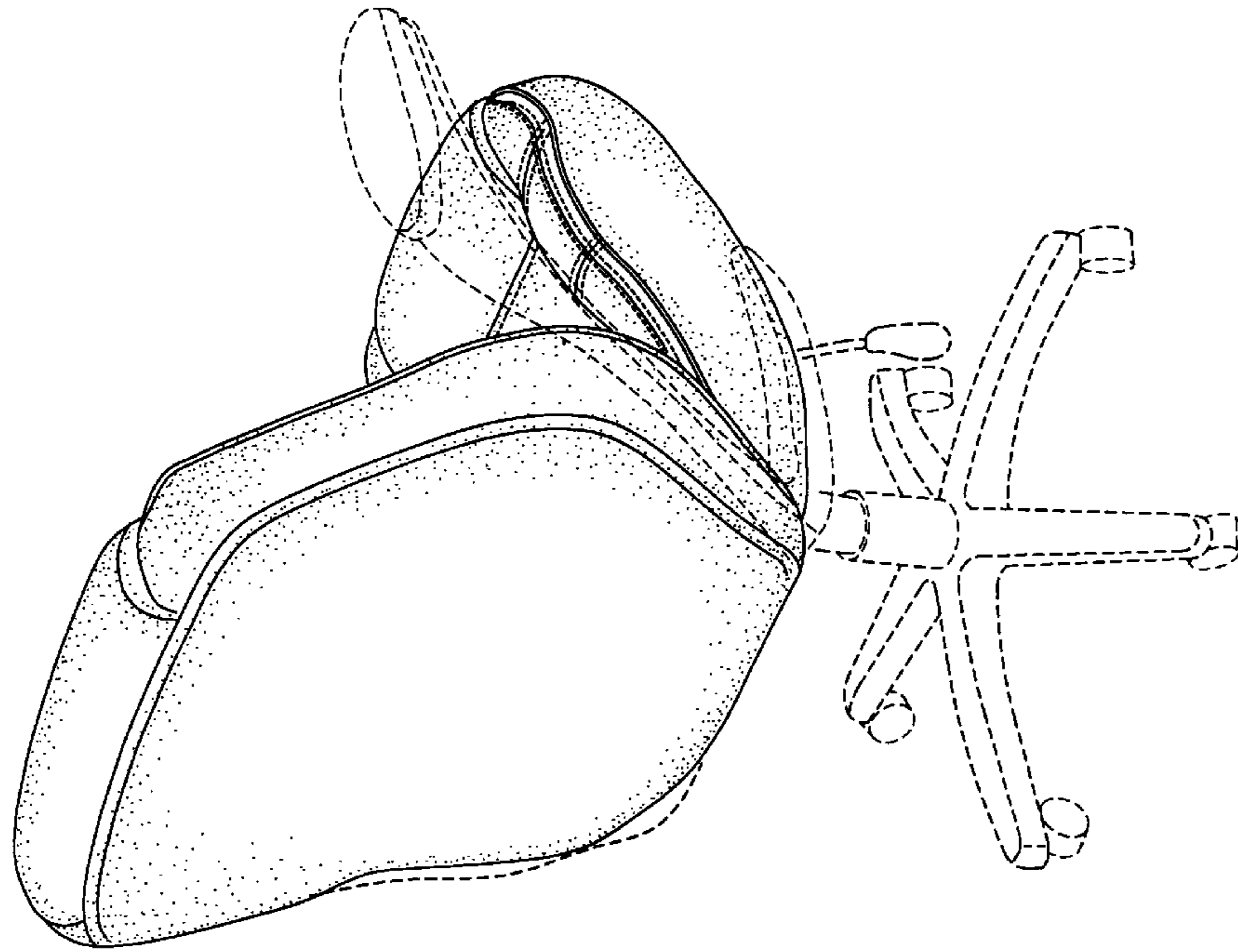


Fig. 2

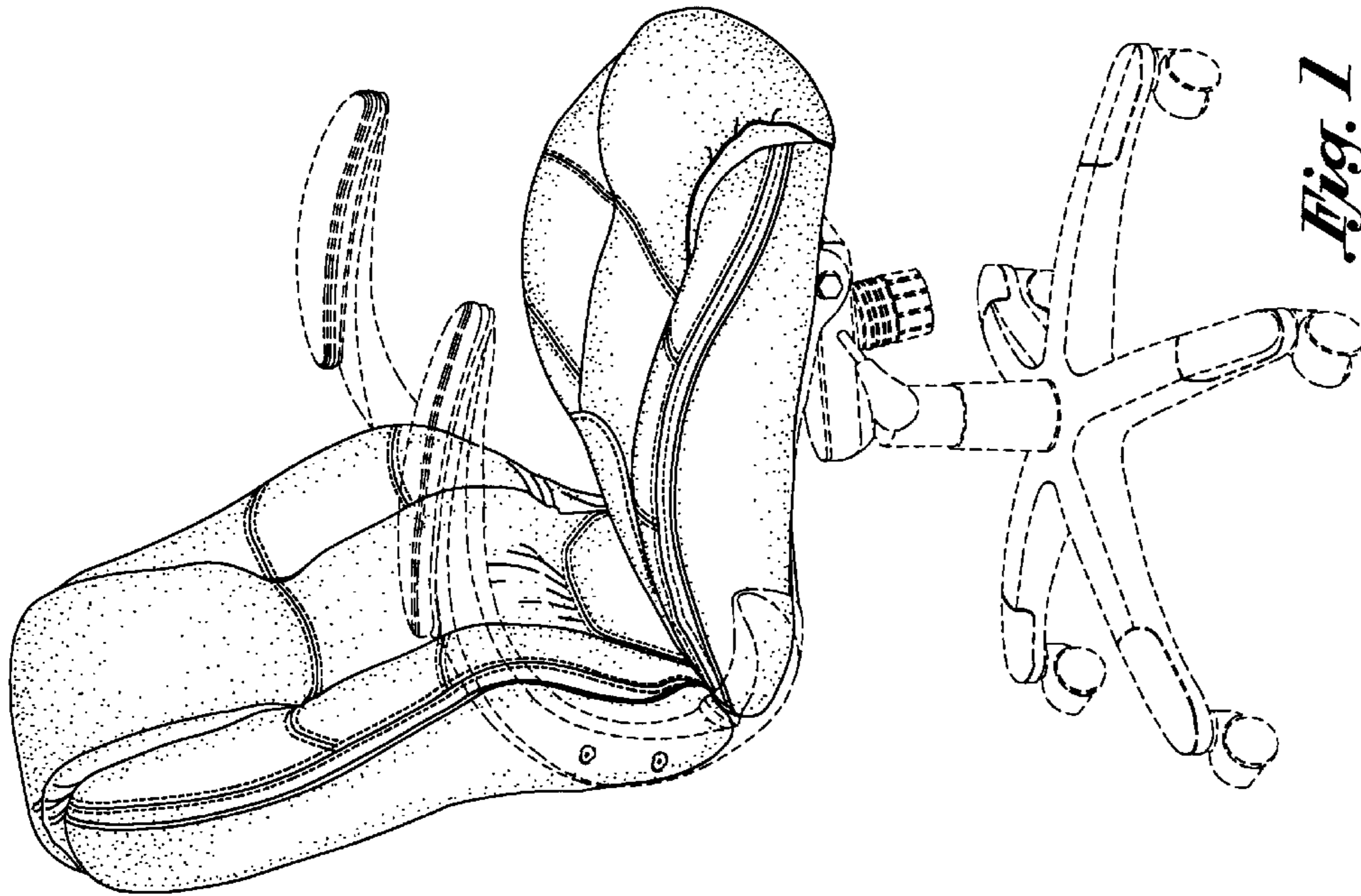
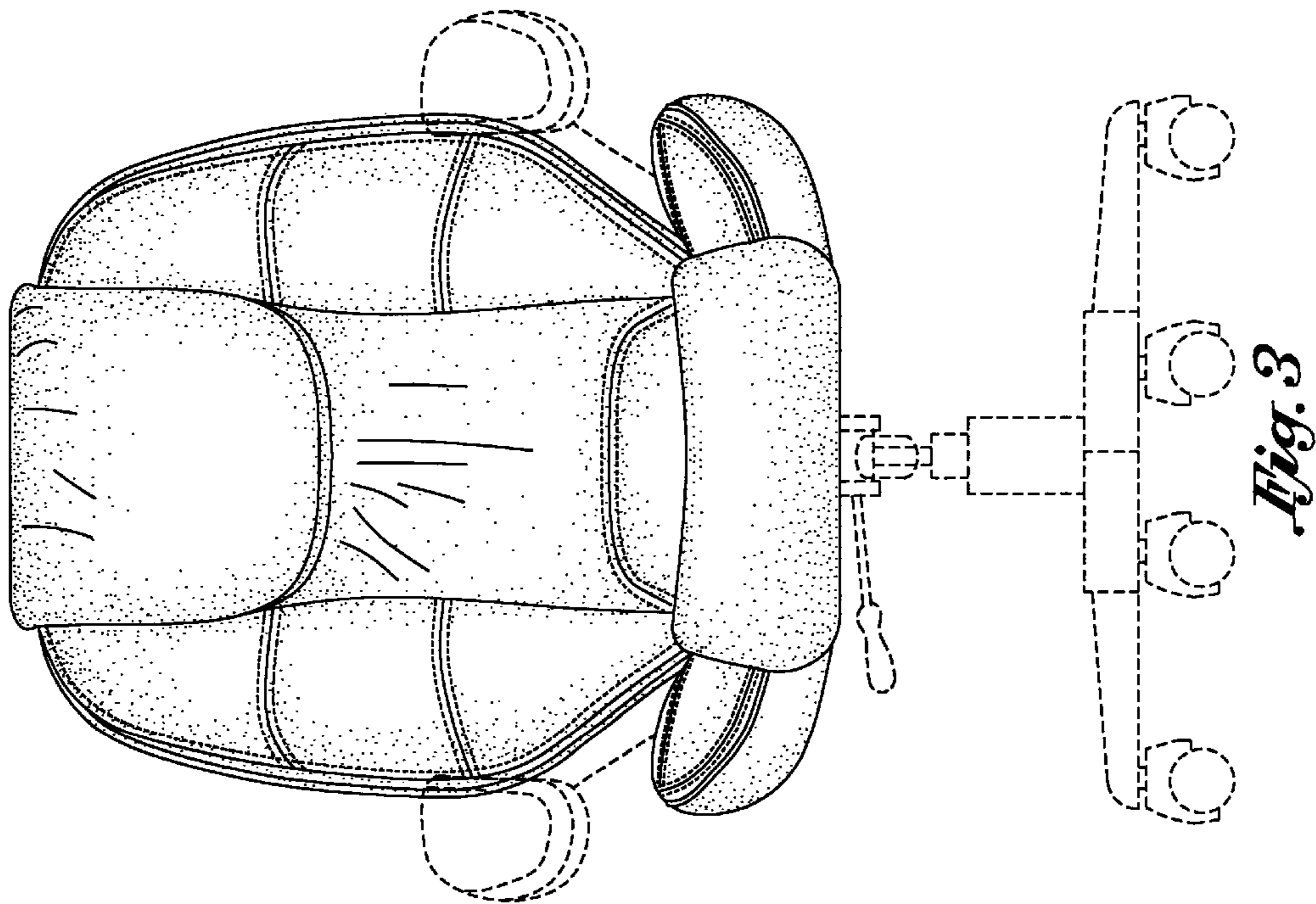
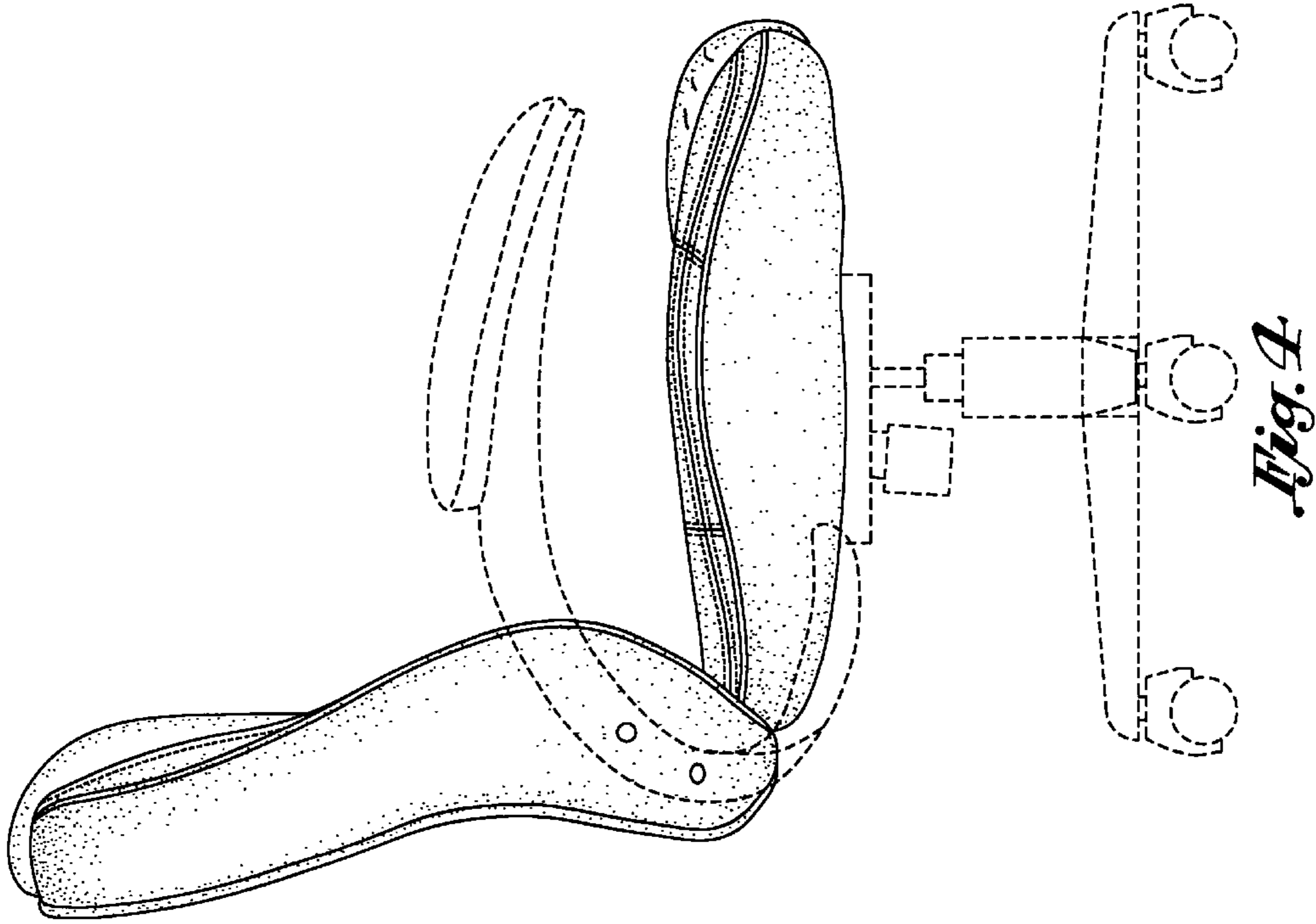


Fig. 1



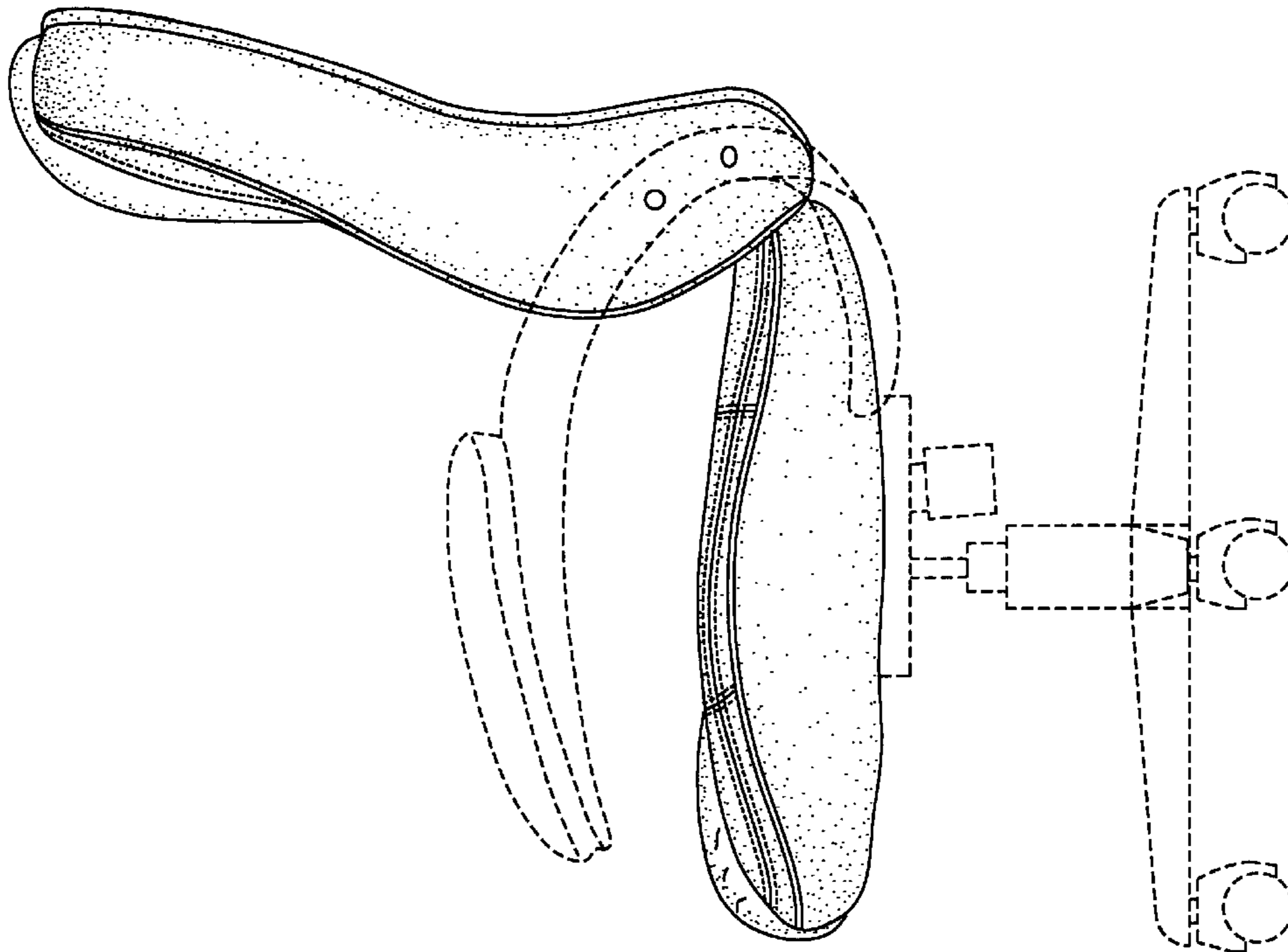


Fig. 6

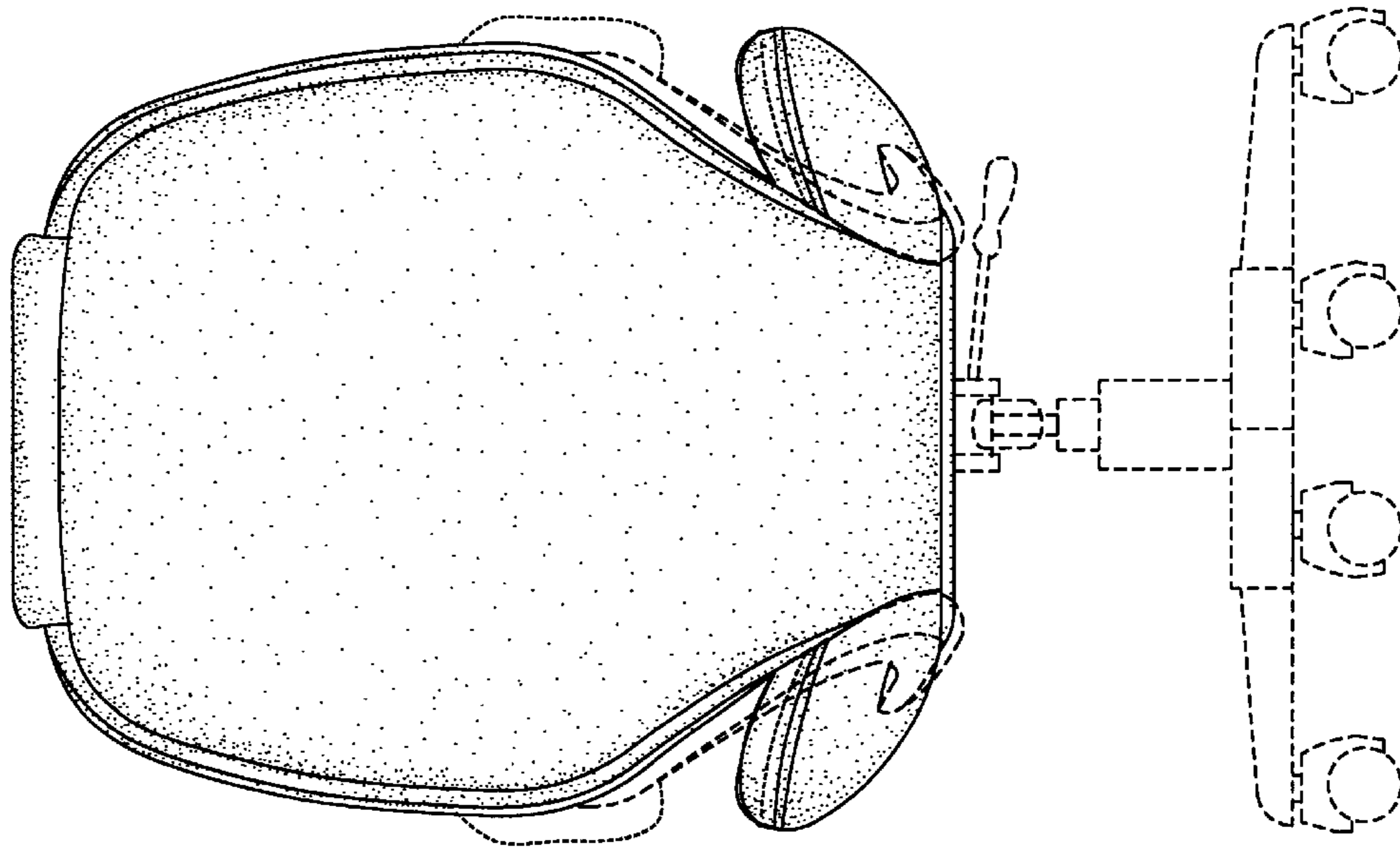


Fig. 5

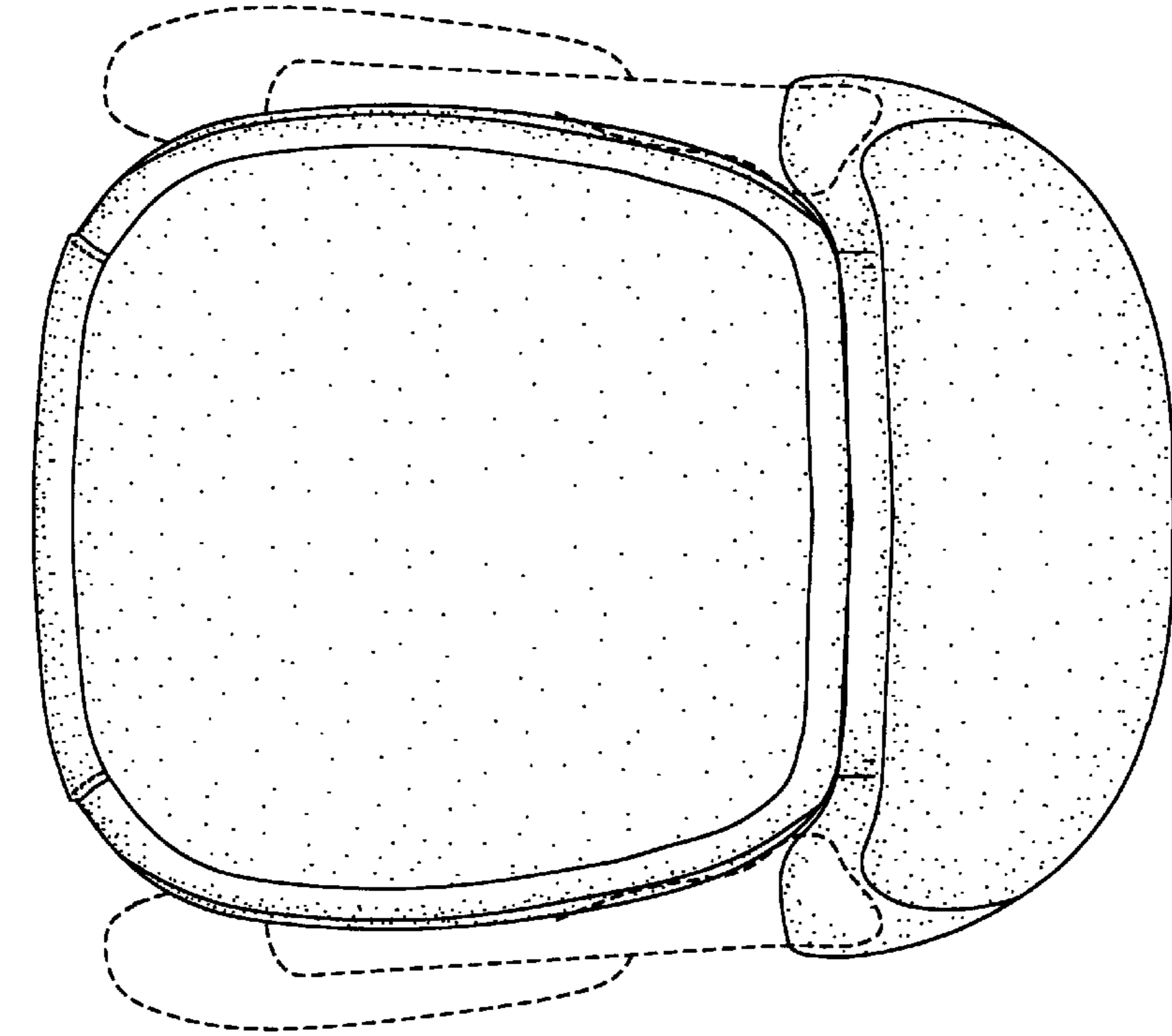


Fig. 7

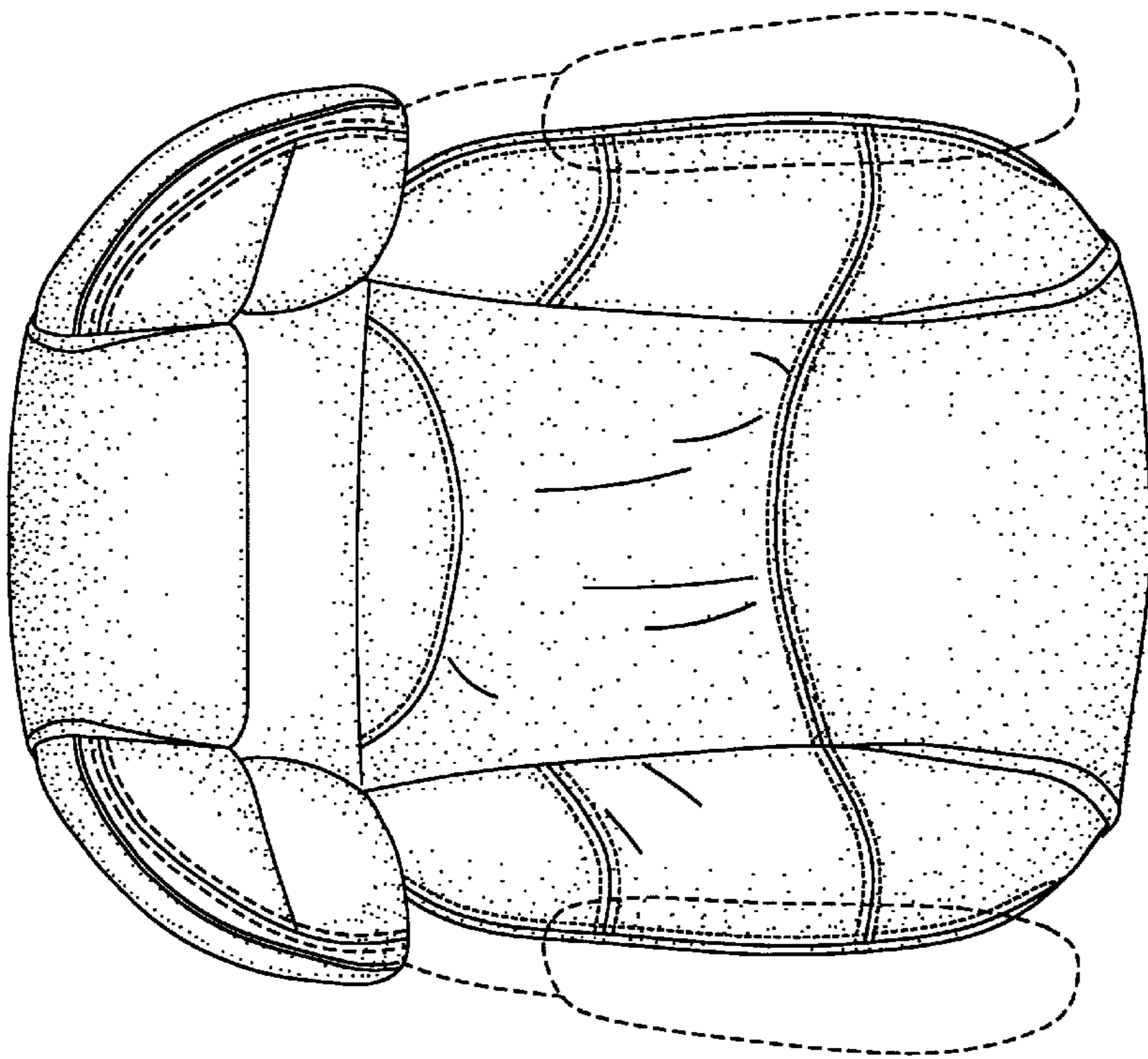


Fig. 8