



US00D536553S

(12) **United States Design Patent**  
**Mendini**

(10) **Patent No.:** **US D536,553 S**

(45) **Date of Patent:** **\*\* Feb. 13, 2007**

(54) **WATCH DISPLAY STAND**

(75) Inventor: **Francesco Mendini**, Milan (IT)

(73) Assignee: **Swatch AG (Swatch SA) (Swatch Ltd.)**, Bienne (CH)

(\*\*) Term: **14 Years**

(21) Appl. No.: **29/225,686**

(22) Filed: **Mar. 18, 2005**

**Related U.S. Application Data**

(62) Division of application No. 29/198,443, filed on Jan. 29, 2004.

(30) **Foreign Application Priority Data**

Feb. 8, 2002 (WO) ..... DM/058 855

(51) **LOC (8) Cl.** ..... **06-01**

(52) **U.S. Cl.** ..... **D6/468**

(58) **Field of Classification Search** ..... D6/462-468,  
D6/475, 479, 630, 629, 411; 211/85.1, 85.2,  
211/85.9, 49.1, 60.1, 86.01, 87.01; D20/10,  
D20/19, 40

See application file for complete search history.

(56) **References Cited**

**U.S. PATENT DOCUMENTS**

2,815,597 A \* 12/1957 Carter ..... 40/124.06

D382,304 S \* 8/1997 Rinicella et al. .... D20/42  
D458,773 S \* 6/2002 Battaglia et al. .... D6/465

\* cited by examiner

*Primary Examiner*—Janice E. Seeger

*Assistant Examiner*—Sydney R. Buffalow

(74) *Attorney, Agent, or Firm*—Collen IP; Donald J. Ranft

(57) **CLAIM**

The ornamental design for a watch display stand, as shown and described.

**DESCRIPTION**

FIG. 1 is a front view of a watch display stand

FIG. 2 is a back view thereof;

FIG. 3 is a top view thereof;

FIG. 4 is a side view thereof;

FIG. 5 is a perspective view thereof;

FIG. 6 is a front view of a second embodiment of a watch display stand;

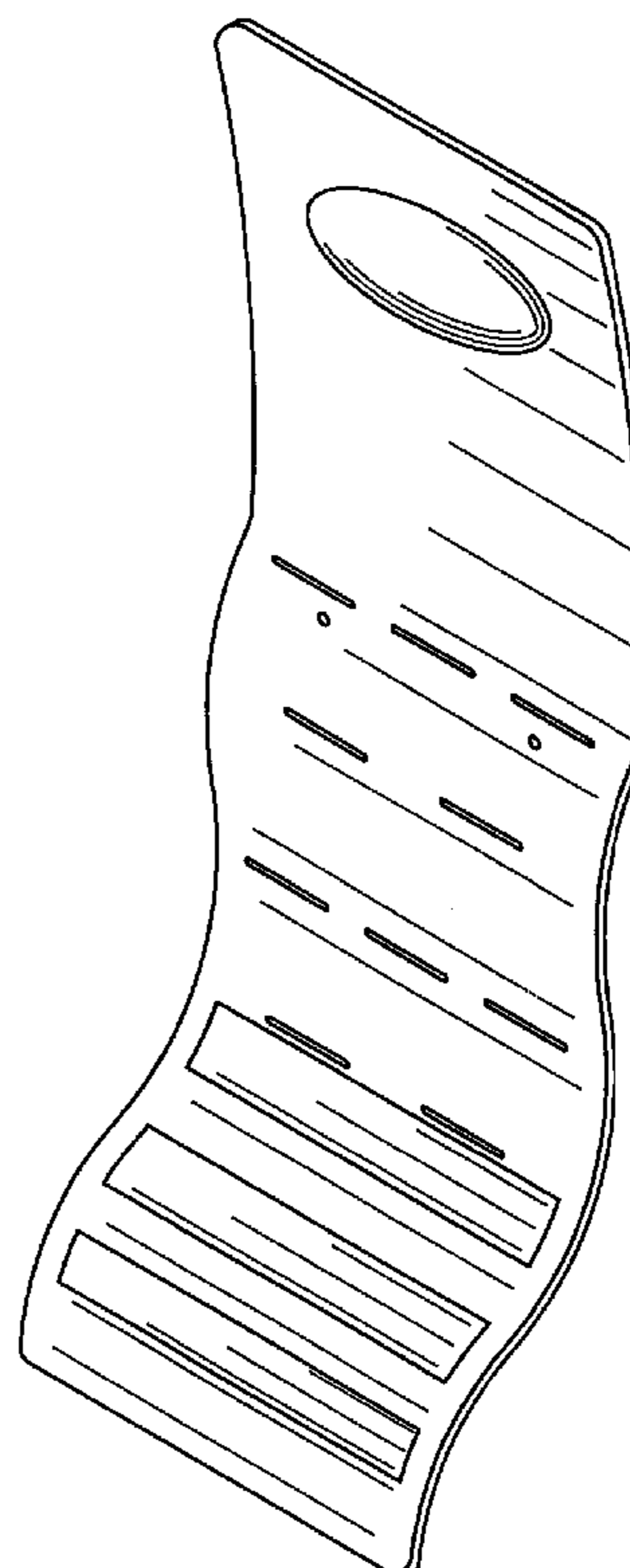
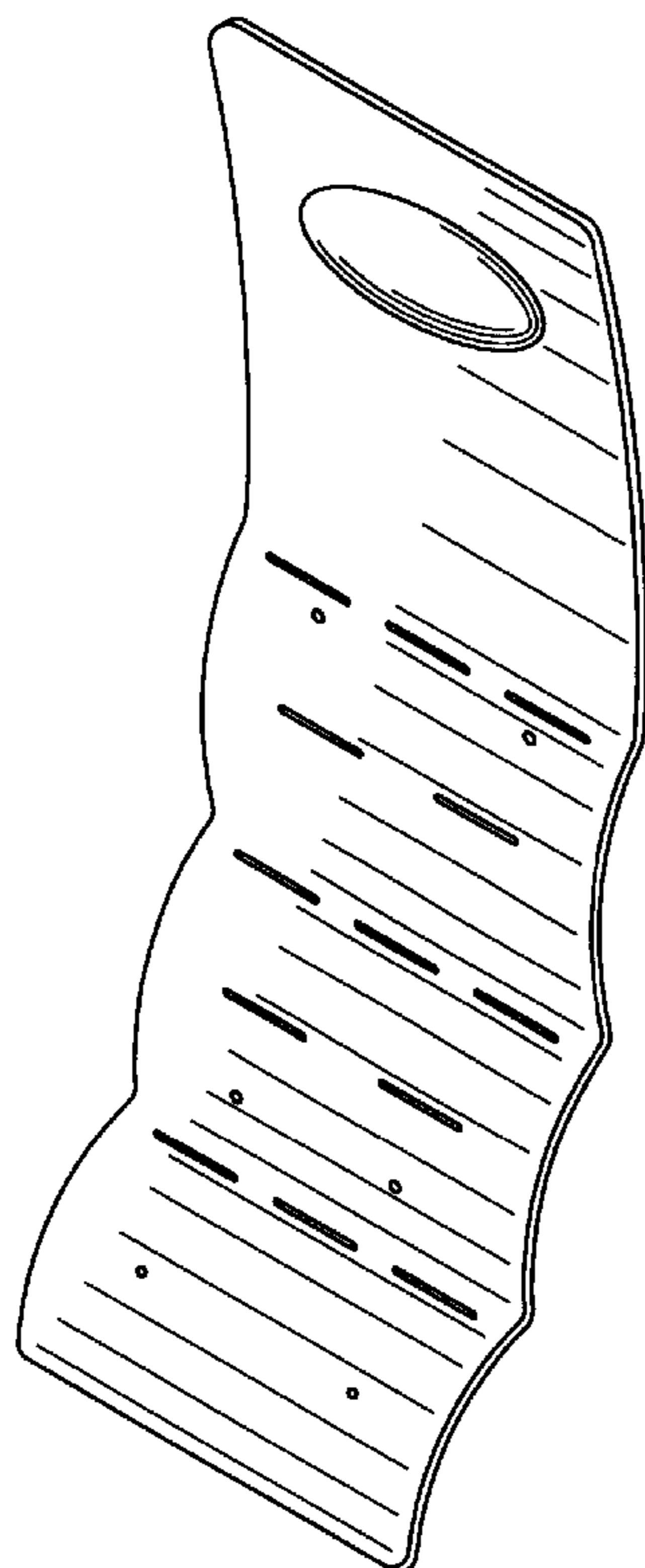
FIG. 7 is a back view thereof;

FIG. 8 is a top view thereof;

FIG. 9 is a side view thereof; and,

FIG. 10 is a perspective view thereof.

**1 Claim, 4 Drawing Sheets**



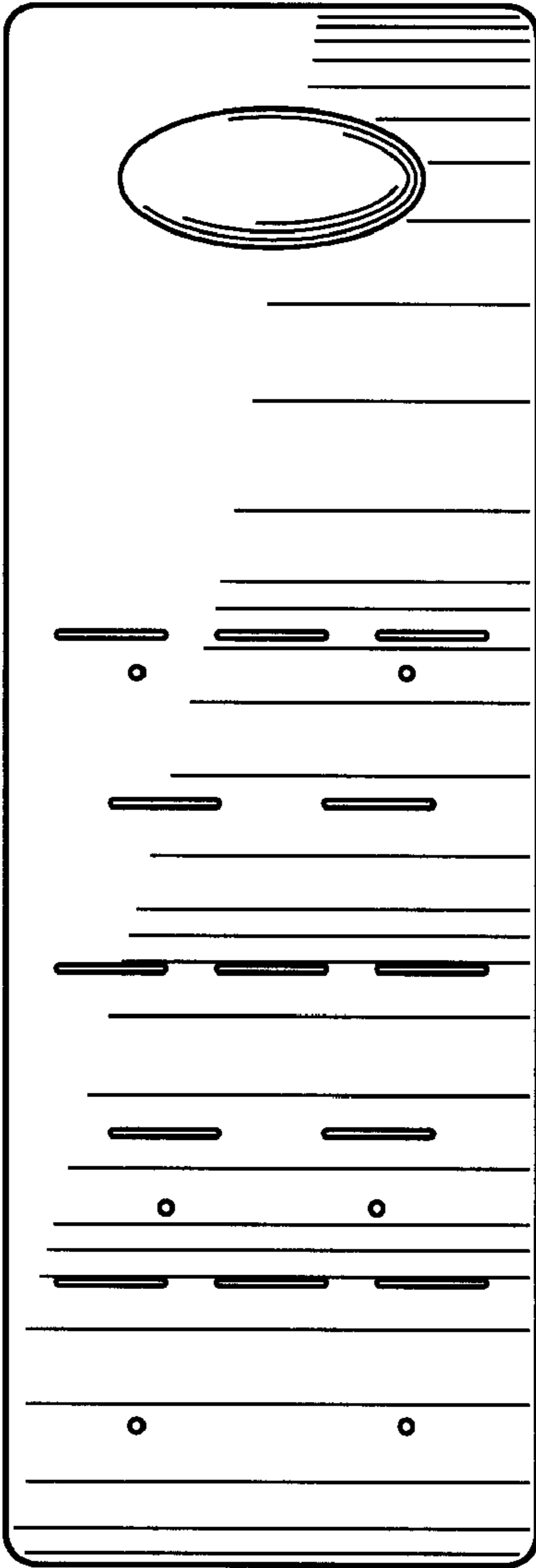


FIG. 1

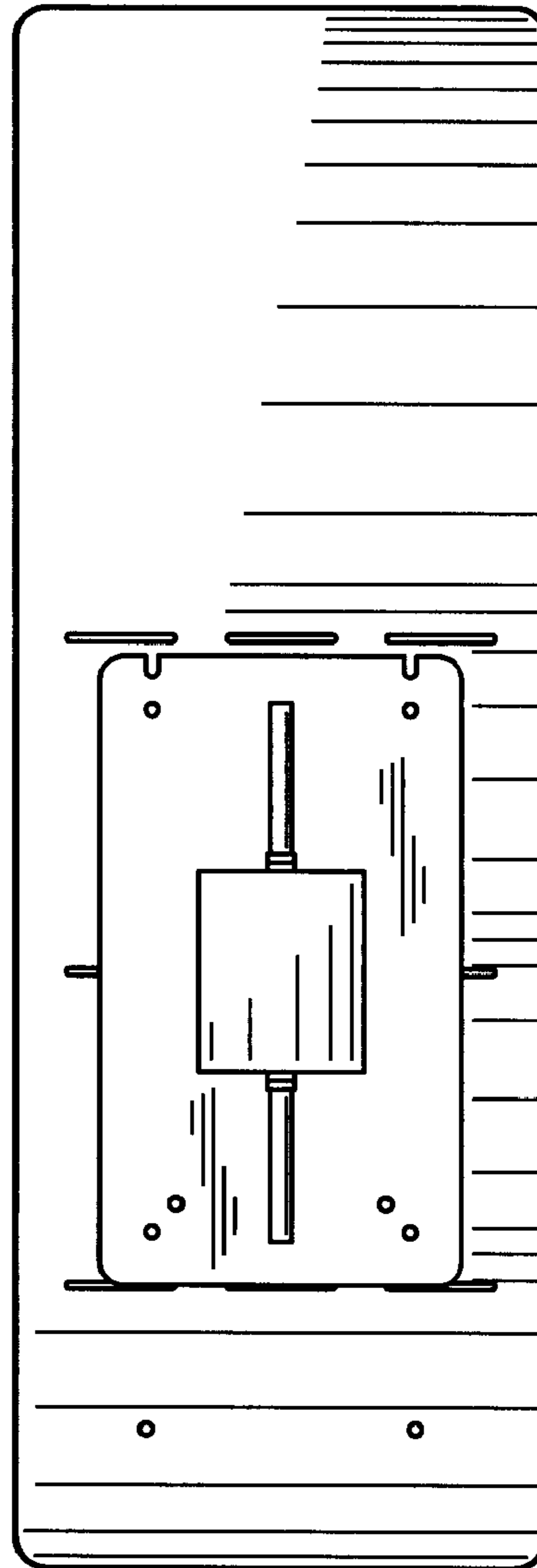


FIG. 2

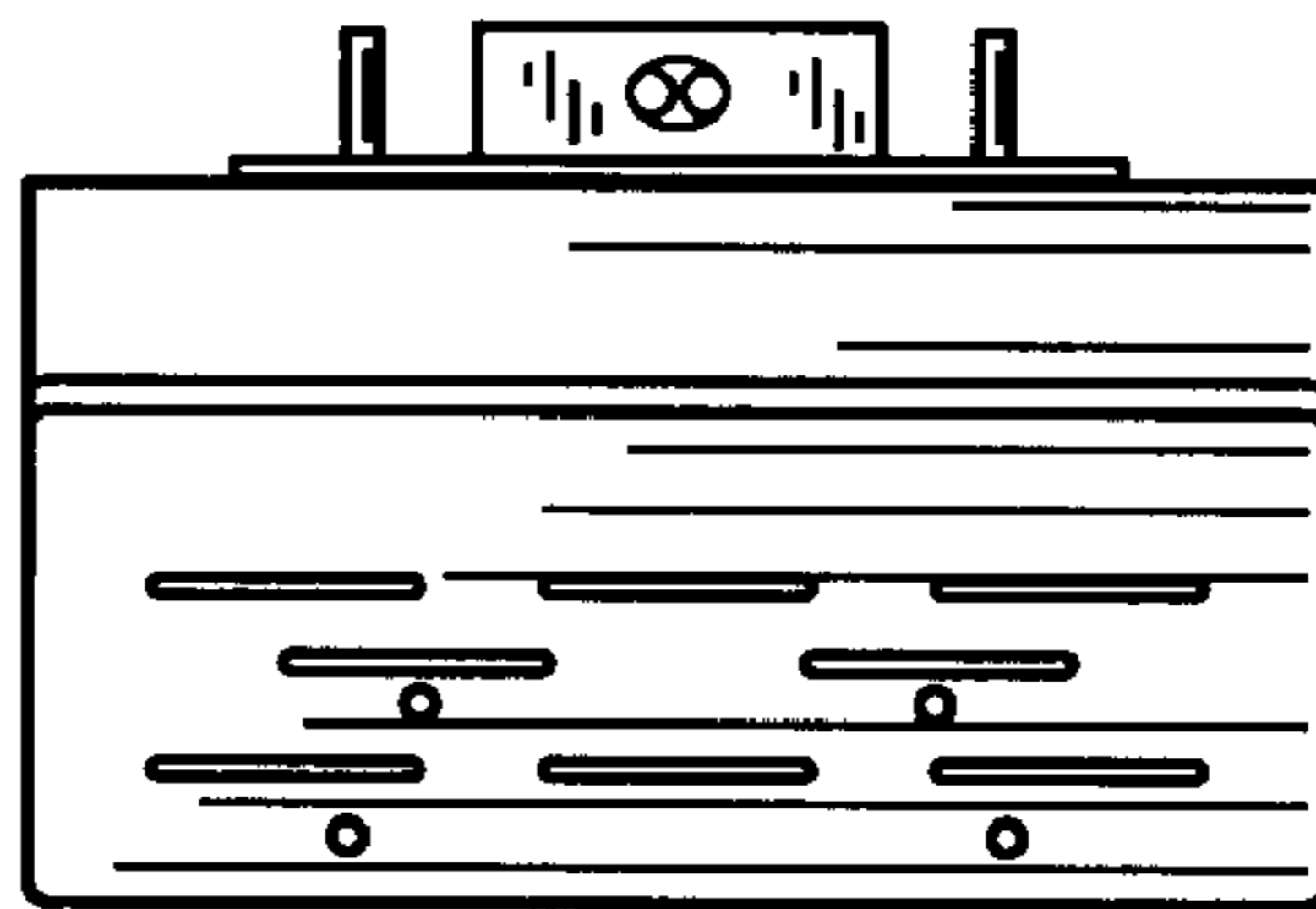


FIG. 3

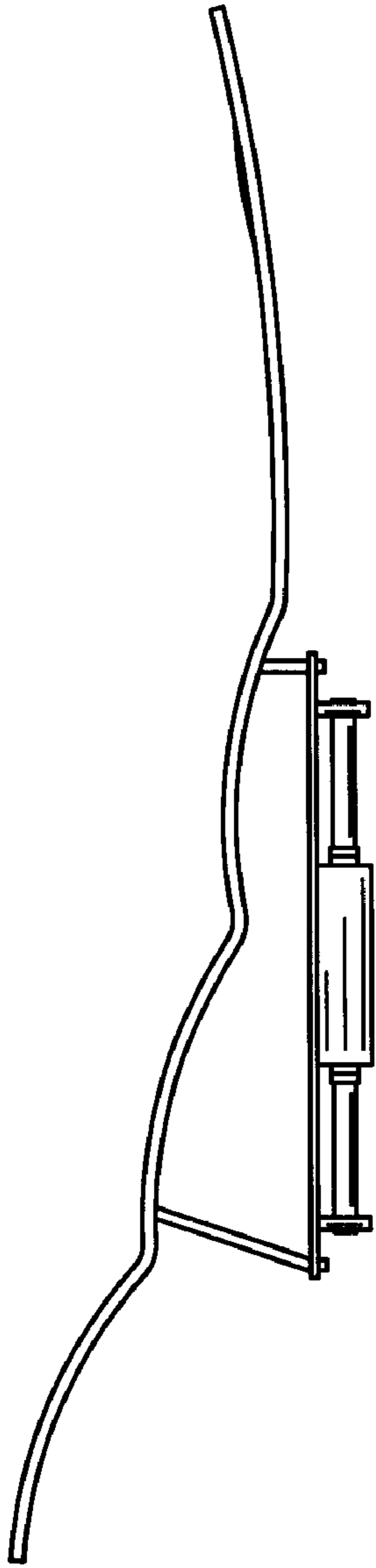


FIG. 4

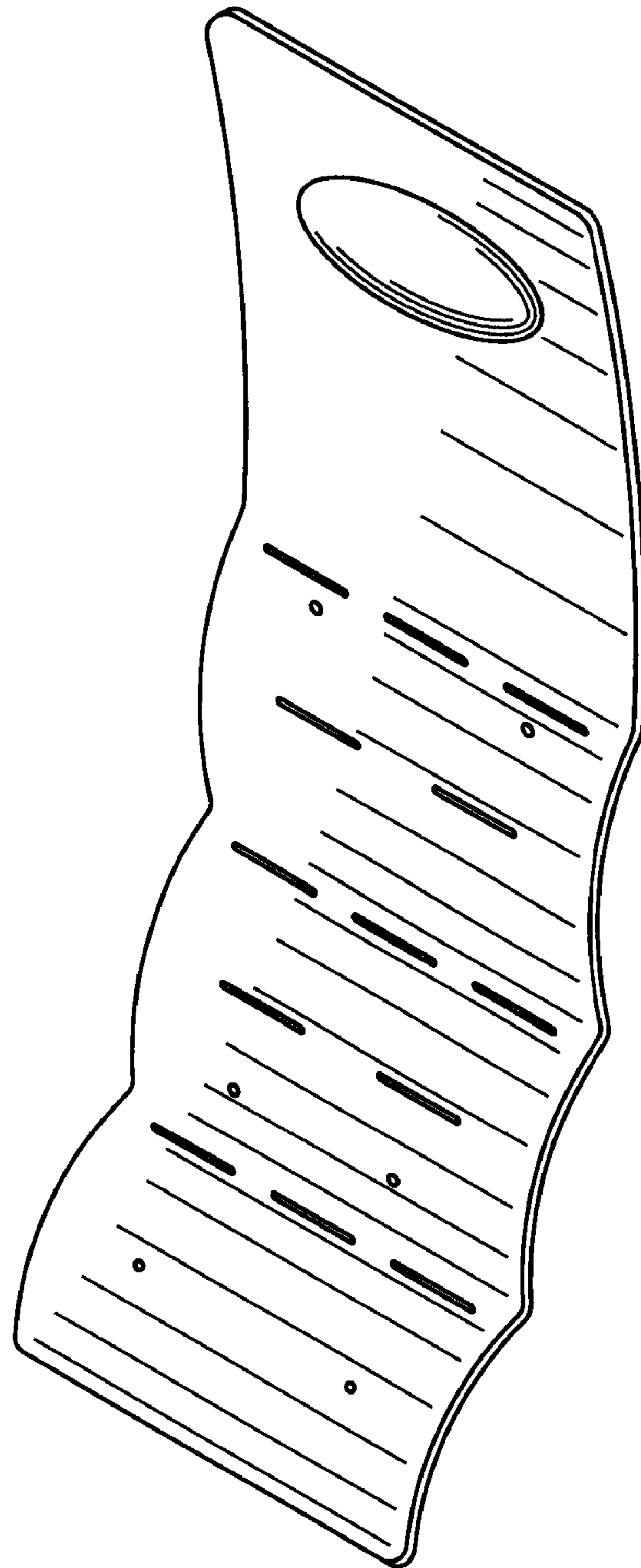


FIG. 5

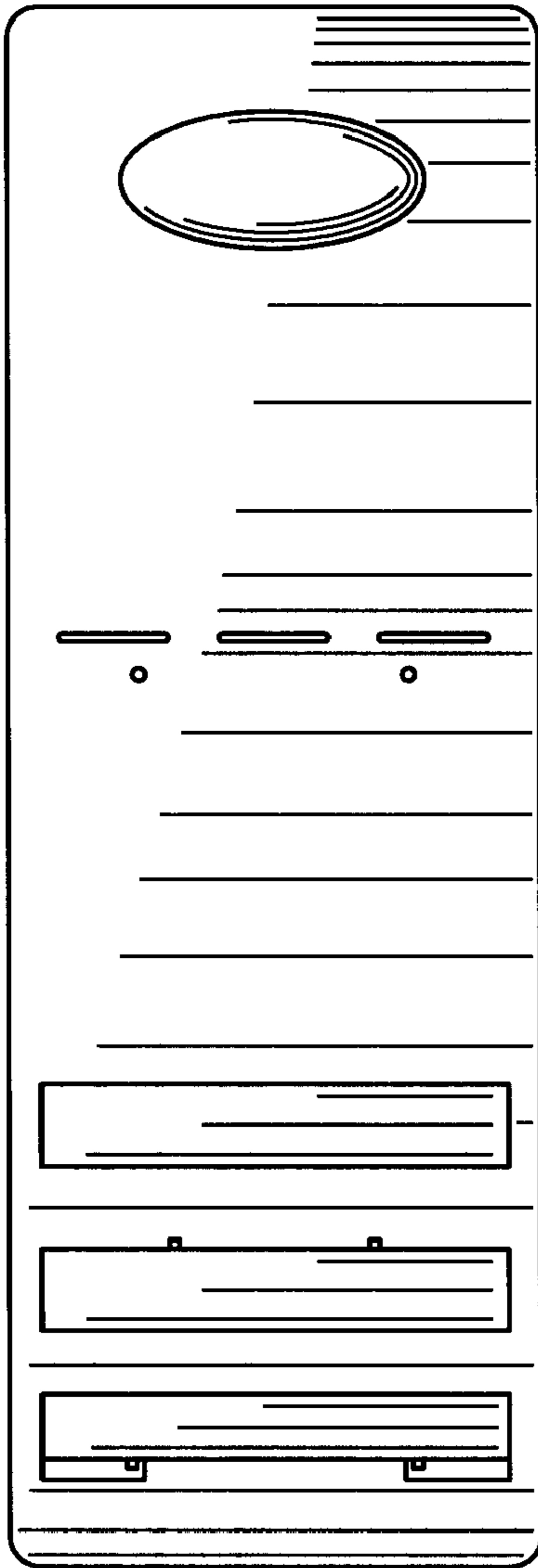


FIG. 6

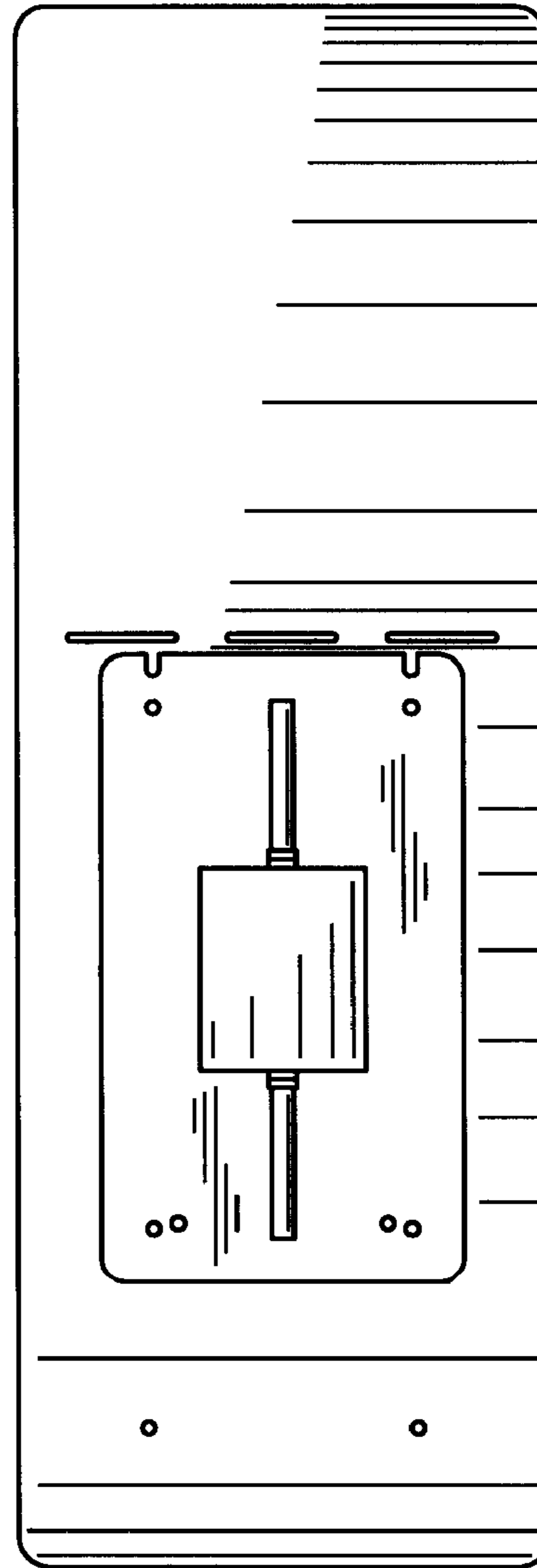


FIG. 7

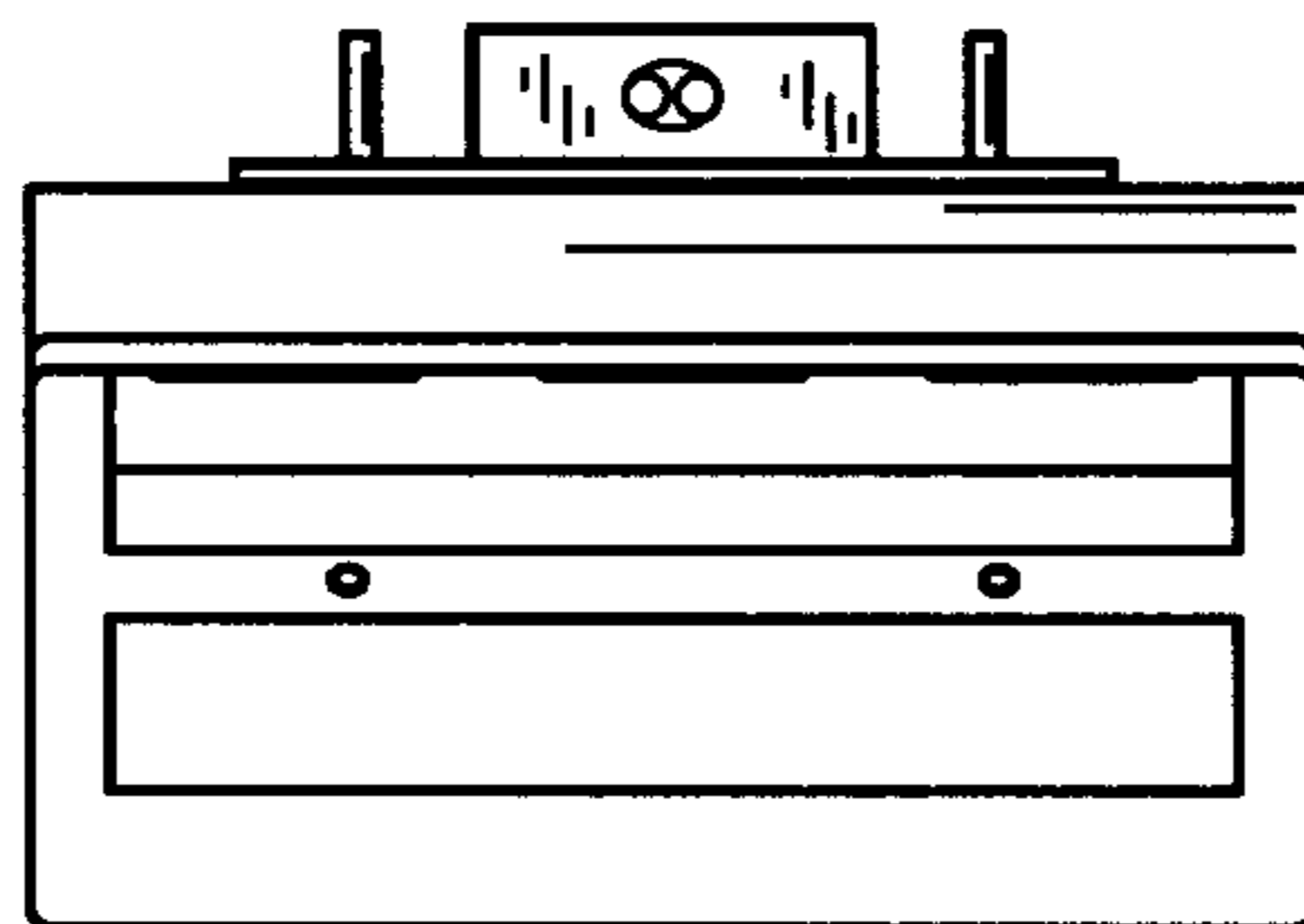


FIG. 8

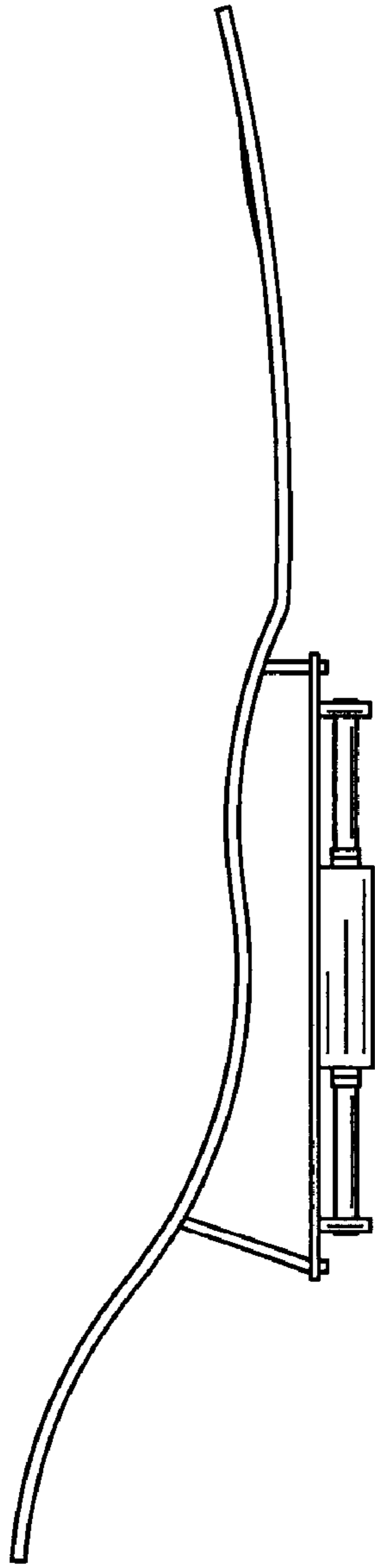


FIG. 9

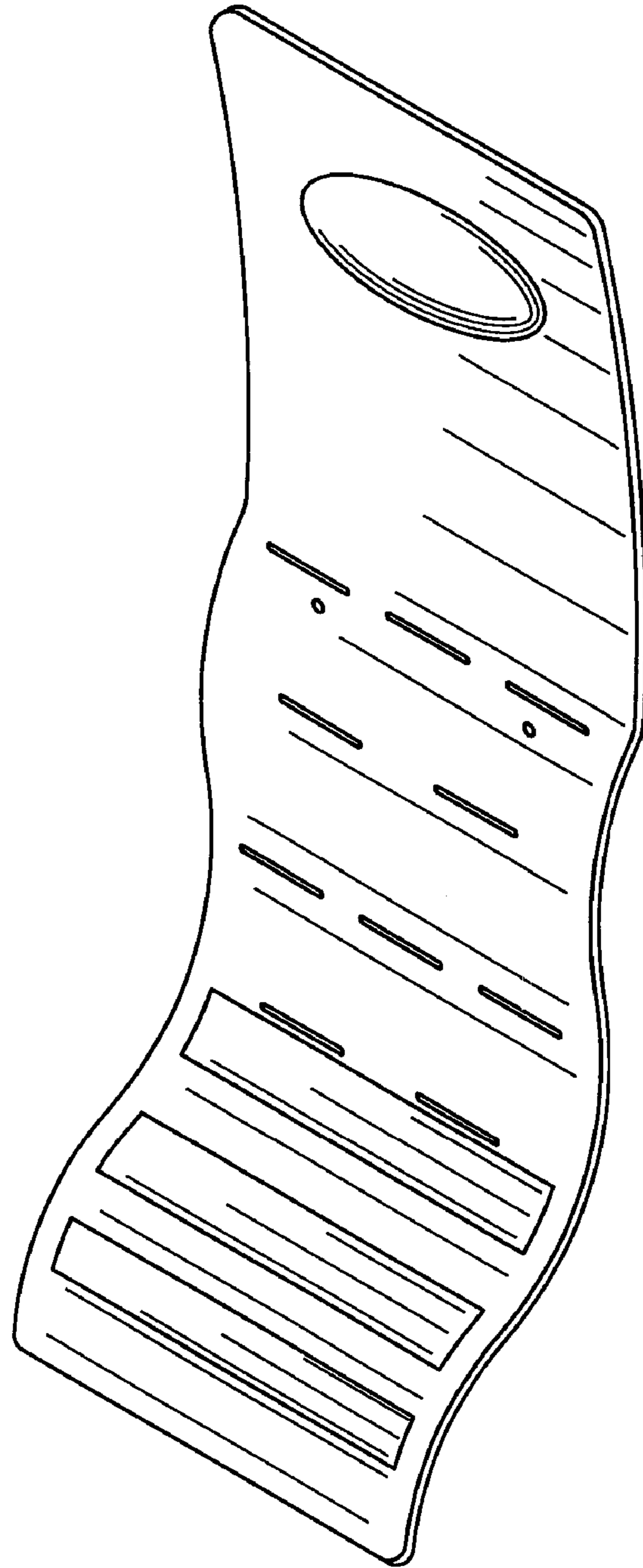


FIG. 10