



US00D536552S

(12) **United States Design Patent** (10) **Patent No.:** **US D536,552 S**  
**Dickerson et al.** (45) **Date of Patent:** **\*\* Feb. 13, 2007**

(54) <b>LITERATURE STAND</b>	5,044,594 A	9/1991	Hegarty
	D321,446 S	11/1991	Liptak
(75) Inventors: <b>Bruce Dickerson</b> , Hudson, WI (US); <b>Joseph Simek</b> , Minneapolis, MN (US)	D321,614 S	11/1991	Liptak
	D330,474 S	10/1992	Liptak
(73) Assignee: <b>Skyline Displays, Inc.</b> , Eagan, MN (US)	D330,983 S	11/1992	DeMoss
	D340,156 S	* 10/1993	Bonazza et al. .... D6/476
(**) Term: <b>14 Years</b>	5,396,987 A	* 3/1995	Temple et al. .... 206/309
	D358,049 S	5/1995	Wilson
(21) Appl. No.: <b>29/219,049</b>	D361,349 S	8/1995	Brussing
	D366,568 S	1/1996	Pagano
(22) Filed: <b>Dec. 10, 2004</b>	D370,028 S	5/1996	Berger et al.
	D370,141 S	5/1996	Kelly et al.
(51) <b>LOC (8) Cl.</b> ..... <b>06-04</b>	D370,355 S	6/1996	Kenney
(52) <b>U.S. Cl.</b> ..... <b>D6/468</b>	D371,471 S	7/1996	Sloan et al.
(58) <b>Field of Classification Search</b> ..... D6/396, D6/449, 455, 457-465, 468, 471, 473, 474, D6/509, 571; 211/13.1, 42-44, 50, 51, 55, 211/85.31, 106; 206/309	5,732,491 A	3/1998	Burtch
	5,836,476 A	11/1998	Ampofo
	D410,495 S	6/1999	Wear
	D410,686 S	6/1999	Wear
	D421,326 S	2/2000	Lewis
	D423,824 S	5/2000	Schlesinger
	D427,810 S	7/2000	Ali et al.

See application file for complete search history.

(Continued)

(56) **References Cited**

U.S. PATENT DOCUMENTS

D250,240 S	11/1978	Braginetz	
D250,241 S	11/1978	Braginetz	
D250,982 S	2/1979	Gilman	
D251,466 S	4/1979	Ciminelli	
D263,188 S	3/1982	Cohen	
D264,786 S	6/1982	Faas et al.	
4,378,102 A	3/1983	Portis, Jr. et al.	
D268,847 S	5/1983	Hollister, Sr. et al.	
D272,025 S	1/1984	Goutchat	
4,460,095 A	7/1984	Kessler et al.	
D276,777 S	* 12/1984	Evenson	..... D6/473
4,548,324 A	10/1985	Mackey, Jr.	
4,579,232 A	4/1986	Fedak	
D283,954 S	5/1986	Daws	
D284,873 S	7/1986	Smith	
4,611,865 A	9/1986	Daws	
D286,113 S	10/1986	Albery	
4,787,595 A	11/1988	Hegarty	
D300,995 S	5/1989	Fruscio	
D304,000 S	10/1989	Turbeville	
D315,072 S	3/1991	Harris	
5,009,335 A	* 4/1991	Jonker	..... 211/55

*Primary Examiner*—Robert M. Spear  
*Assistant Examiner*—Mary Ann Calabrese  
(74) *Attorney, Agent, or Firm*—Patterson, Thuente, Skaar & Christensen, P.A.

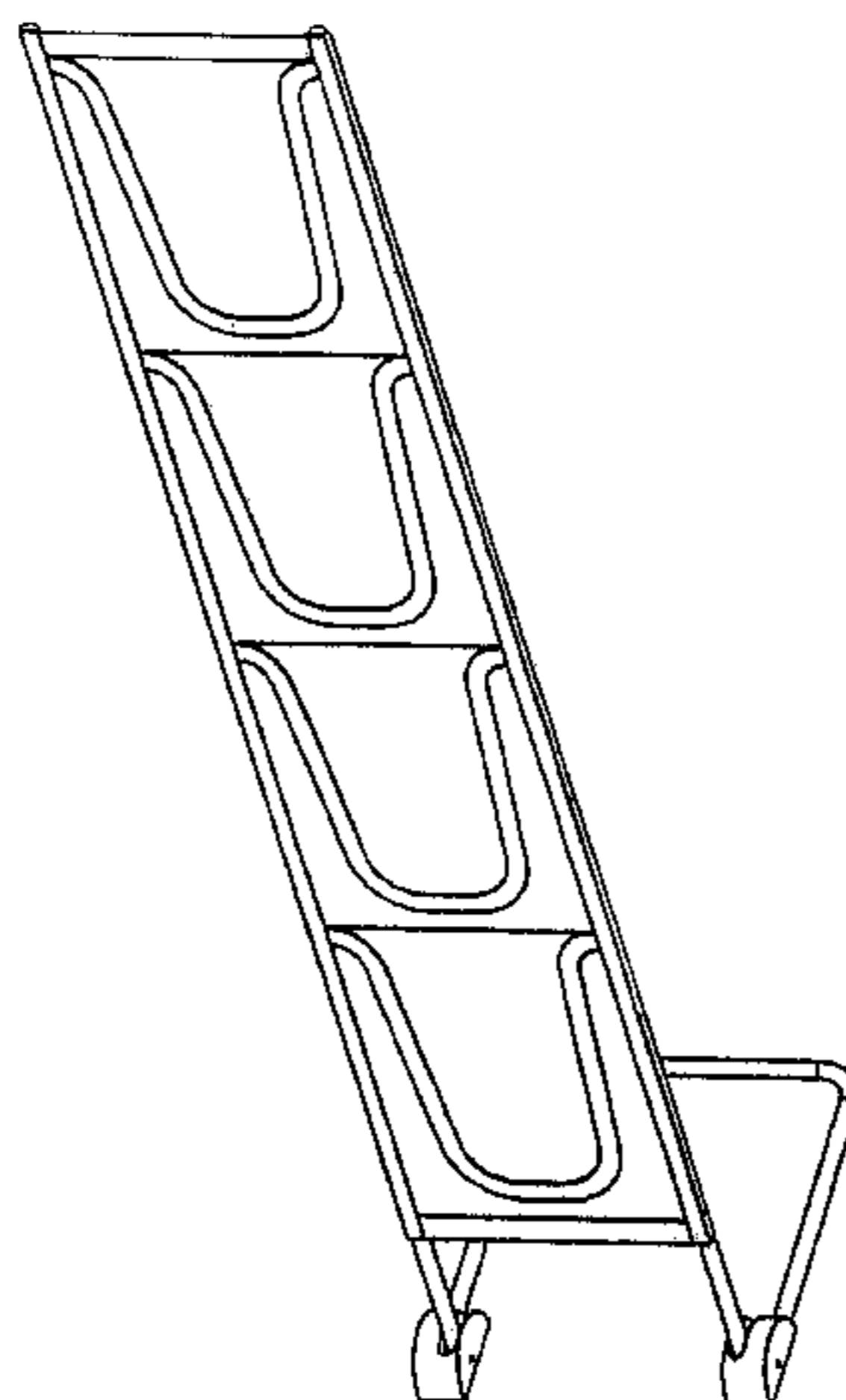
(57) **CLAIM**

We claim the ornamental design for literature stand, as shown and described.

**DESCRIPTION**

FIG. 1 is a front elevational view of a literature stand according to the invention.  
FIG. 2 is a side elevational view of a literature stand according to the invention.  
FIG. 3 is a back elevational view of a literature stand according to the invention.  
FIG. 4 is a front perspective view of a literature stand according to the invention; and,  
FIG. 5 is a back perspective view of a literature stand according to the invention.

**1 Claim, 5 Drawing Sheets**



# US D536,552 S

Page 2

---

## U.S. PATENT DOCUMENTS

D438,728 S	3/2001	Fisher	
D463,191 S	* 9/2002	Palmer et al. ....	D6/630
D474,354 S	5/2003	Mandell	
D477,920 S	8/2003	McCarty et al.	
D478,234 S	* 8/2003	Beer .....	D6/571
D488,937 S	* 4/2004	Gillet .....	D6/471
D498,263 S	11/2004	Goodman et al.	
6,813,771 B2	11/2004	Weaver	
D500,802 S	1/2005	DeCarlo et al.	
D516,845 S	* 3/2006	Lenger .....	D6/509
2003/0227854 A1	12/2003	Wever	

\* cited by examiner

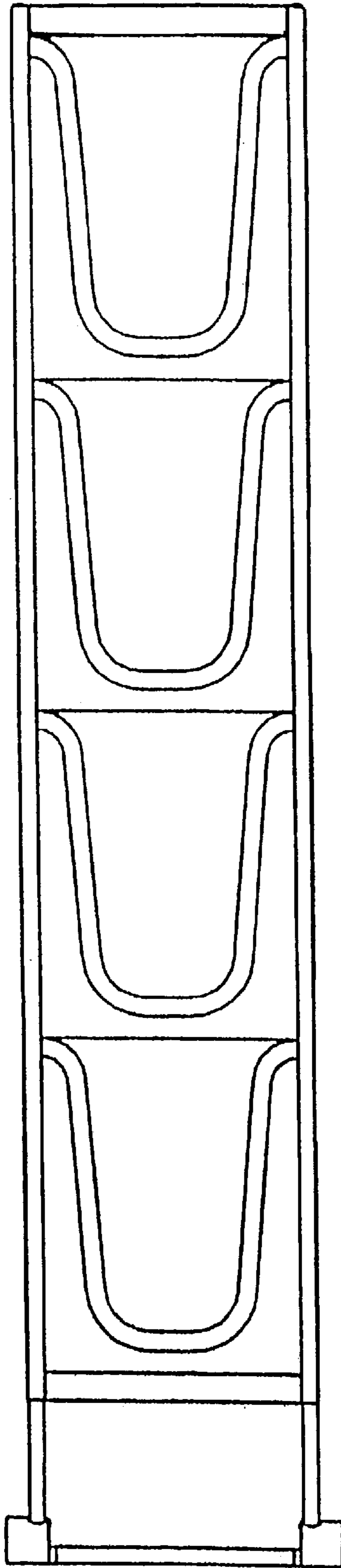


FIG. 1

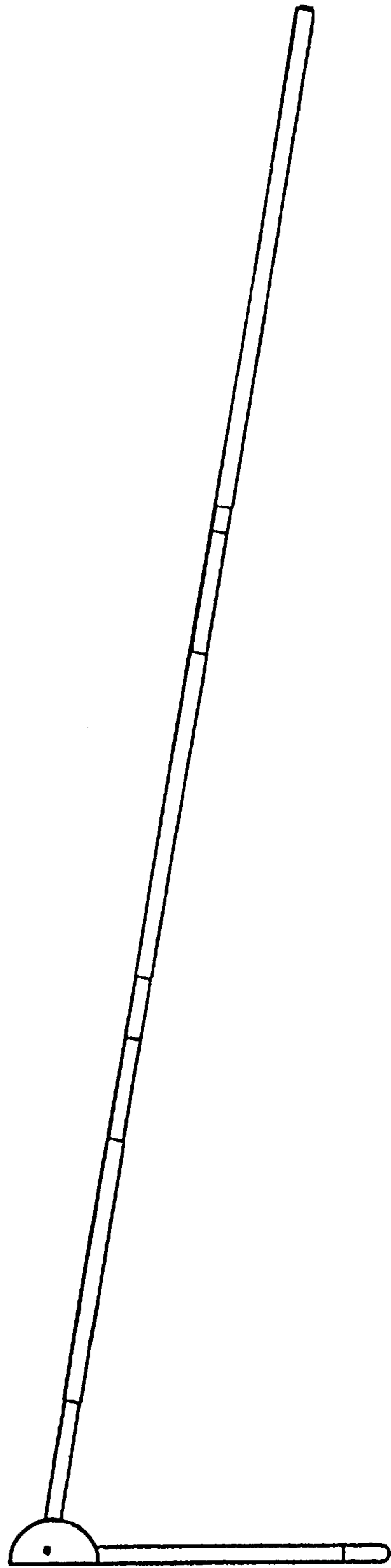


FIG. 2

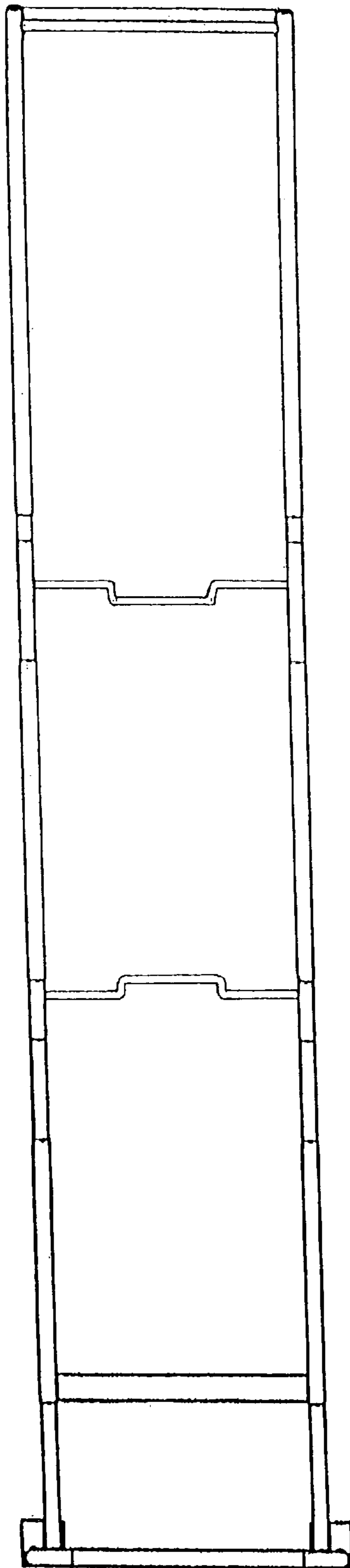
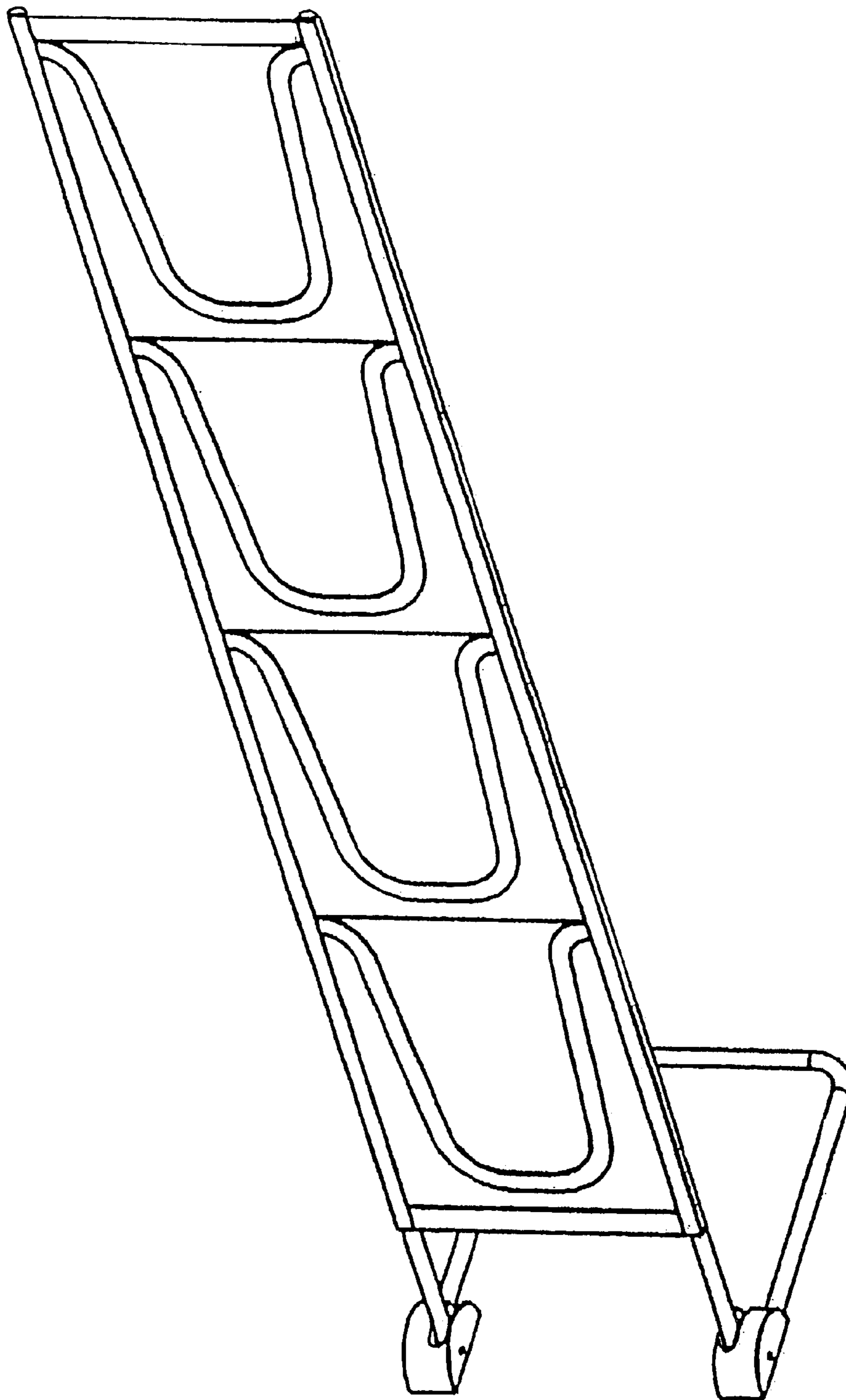


FIG. 3



**FIG. 4**

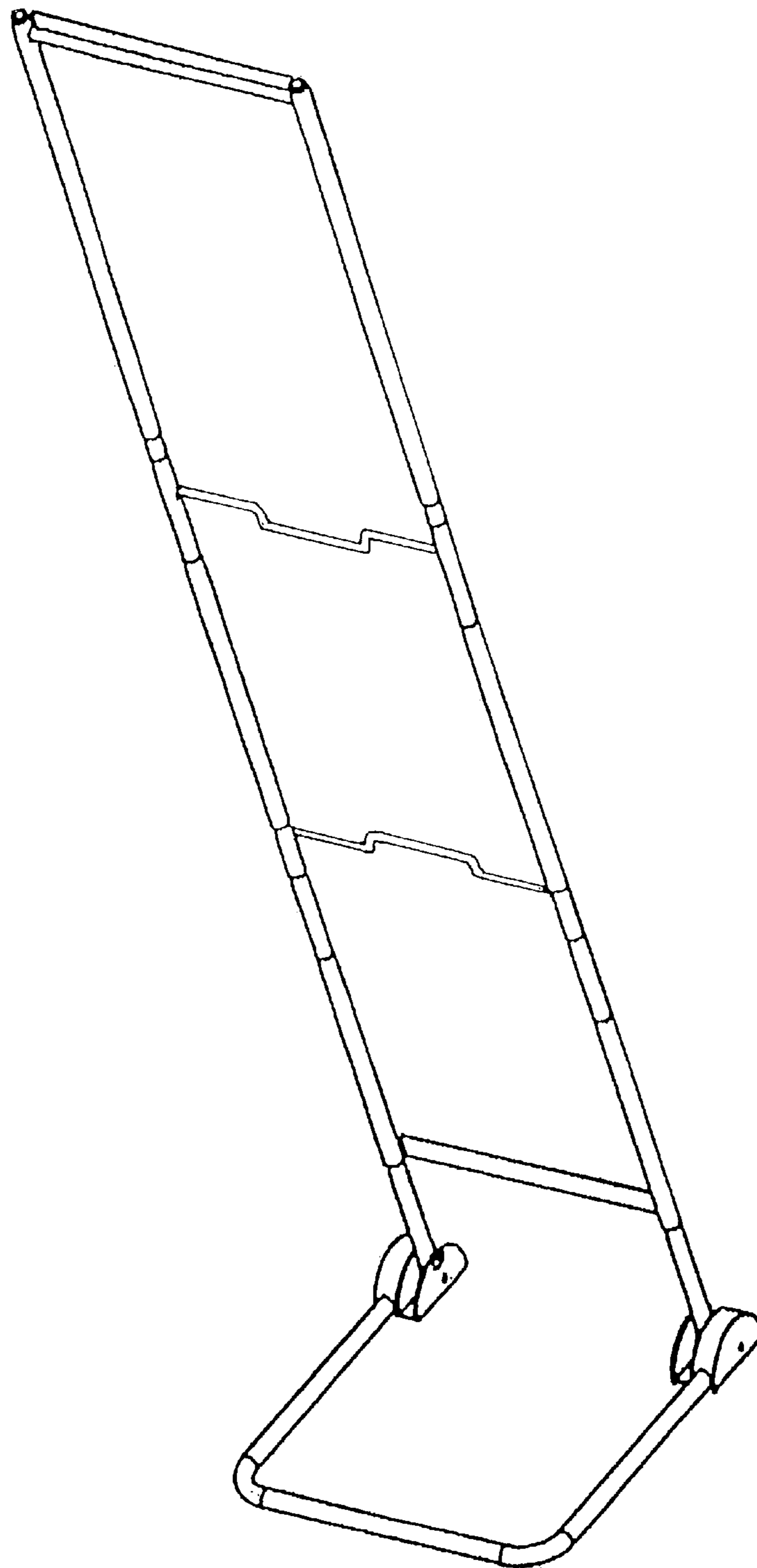


FIG. 5