



US00D536551S

(12) **United States Design Patent**
Domack et al.

(10) **Patent No.:** **US D536,551 S**

(45) **Date of Patent:** **** Feb. 13, 2007**

(54) **SECRETAIRE**

D434,922 S 12/2000 Walters, III et al.
D442,390 S * 5/2001 Edwards D6/429

(75) Inventors: **Randy D. Domack**, Trempealeau, WI (US); **Terry A. Everson**, Blair, WI (US)

OTHER PUBLICATIONS

A.A. Laun, Sofa Table, Undated.
Stickley Co., Chippendale Sofa Table, 412, Undated.

(73) Assignee: **Ashley Furniture Industries, Inc.**, Arcadia, WI (US)

* cited by examiner

(**) Term: **14 Years**

Primary Examiner—Janice E. Seeger

(21) Appl. No.: **29/225,727**

(74) *Attorney, Agent, or Firm*—Patterson, Thuente, Skaar & Christensen, P.A.

(22) Filed: **Mar. 18, 2005**

(57) **CLAIM**

(51) **LOC (8) Cl.** **06-03**

We claim the ornamental design for secretaire, as shown and described.

(52) **U.S. Cl.** **D6/425; D6/440; D6/480**

(58) **Field of Classification Search** D6/480–489,
D6/495, 511, 429–431, 440, 422–426; 108/150,
108/153.1, 155, 156, 161, 36, 127; 248/188,
248/188.1, 188.8

DESCRIPTION

See application file for complete search history.

FIG. 1 is a perspective view of a secretaire according to an embodiment of the invention.

FIG. 2 is a perspective view of an open secretaire such that the interior is seen, according to an embodiment of the invention.

(56) **References Cited**

U.S. PATENT DOCUMENTS

D35,044 S	9/1901	Stickley	
D42,296 S	3/1912	Pearson et al.	
D47,995 S	10/1915	Gordon	
D51,157 S	8/1917	Uhlemann	
D63,283 S	11/1923	Cameron	
D115,489 S	* 7/1939	Eisenberg	D6/440
D147,523 S	* 9/1947	Alpers	D6/425
D237,928 S	* 12/1975	Kent	D6/426
D253,862 S	1/1980	Adkinson	
D354,182 S	* 1/1995	Abraham et al.	D6/426
D362,133 S	9/1995	Ward	
D371,015 S	* 6/1996	Walters et al.	D6/433

FIG. 3 is a front elevational view of a secretaire according to an embodiment of the invention.

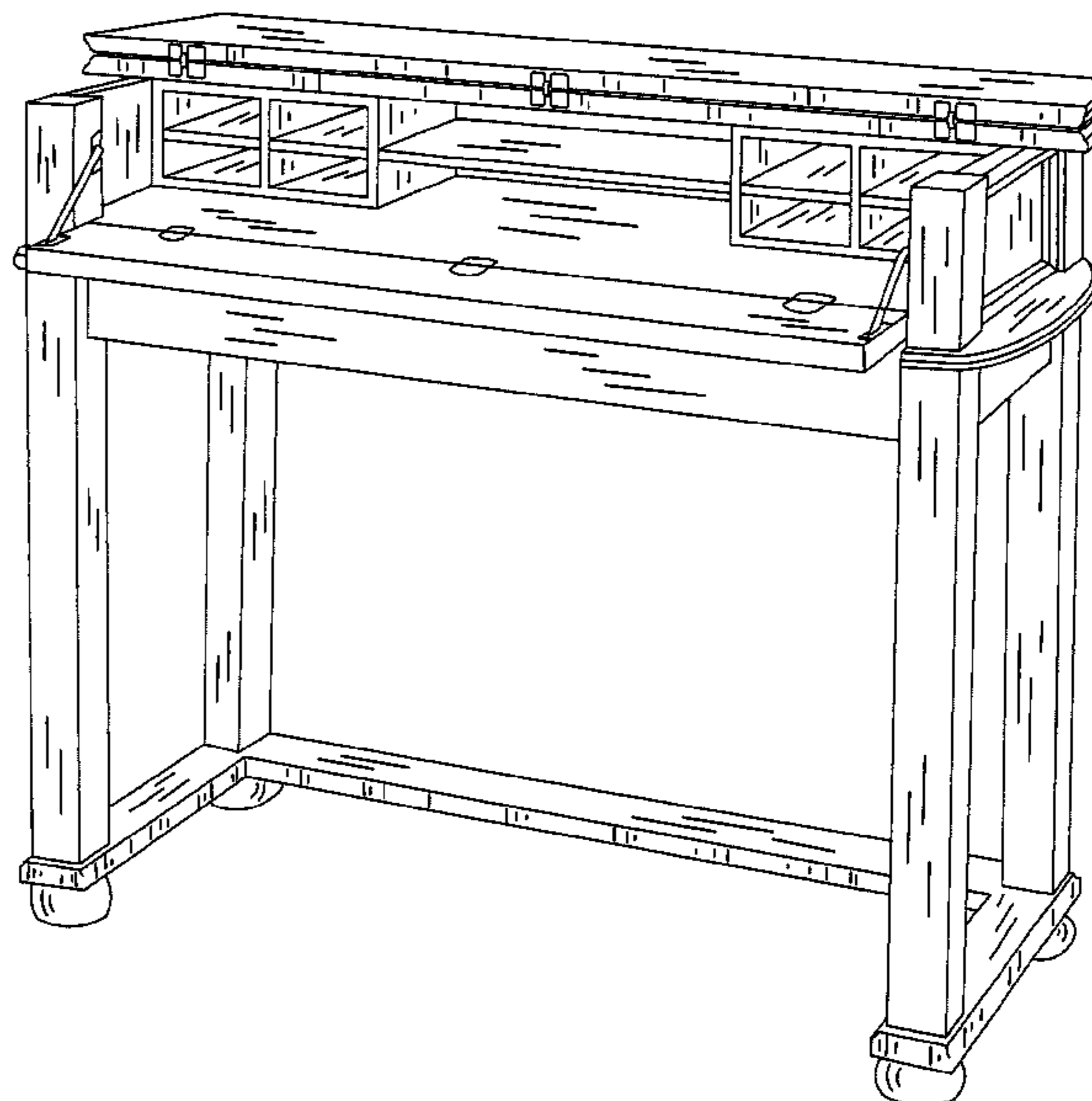
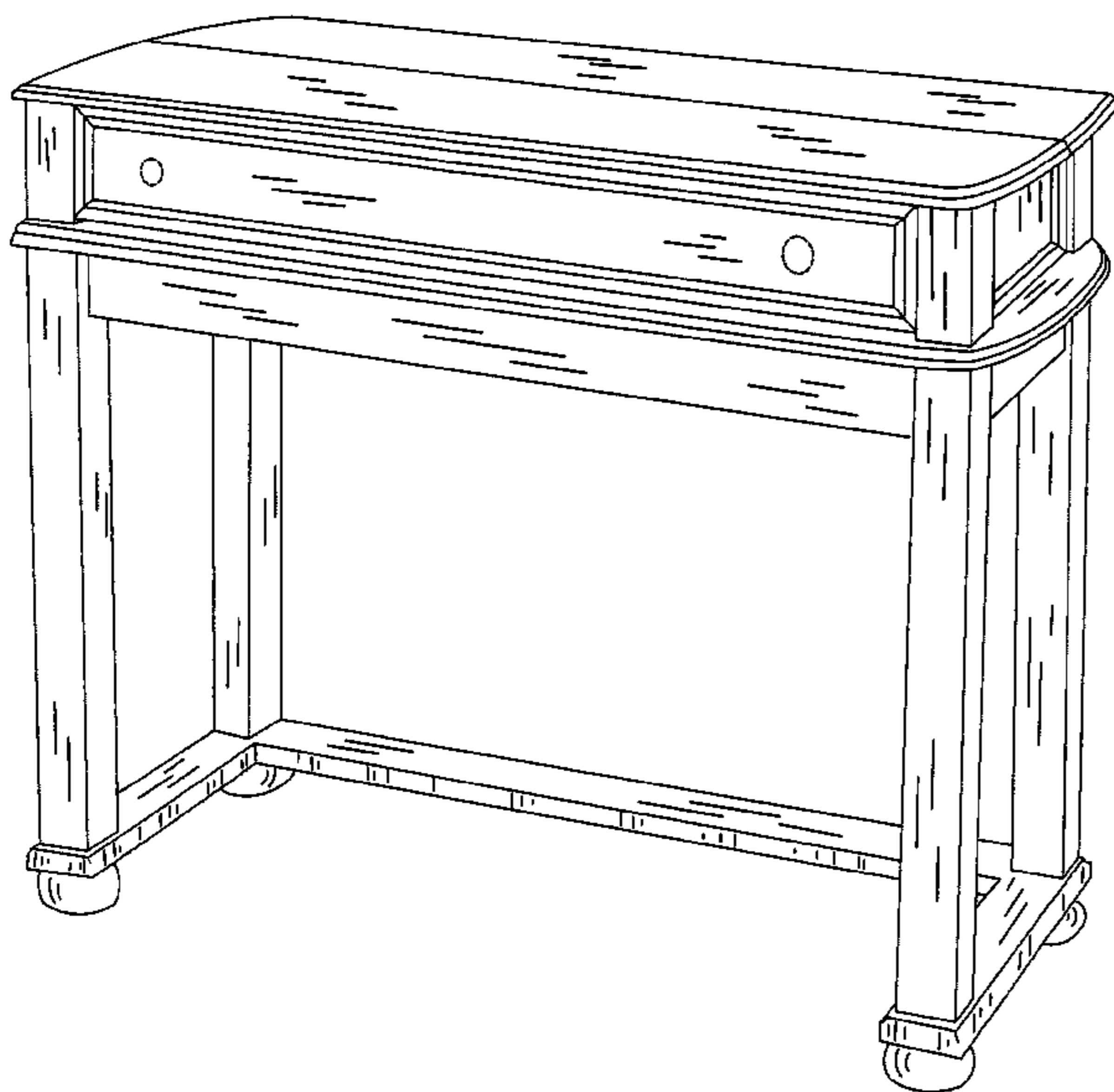
FIG. 4 is a side elevational view of a secretaire according to an embodiment of the invention. The elevational view of the opposite side being a mirror image thereof.

FIG. 5 is a top plan view of a secretaire according to an embodiment of the invention; and,

FIG. 6 is a back elevational view of a secretaire according to an embodiment of the invention.

The dashed lines represent environmental elements only and form no part of the claimed design.

1 Claim, 6 Drawing Sheets



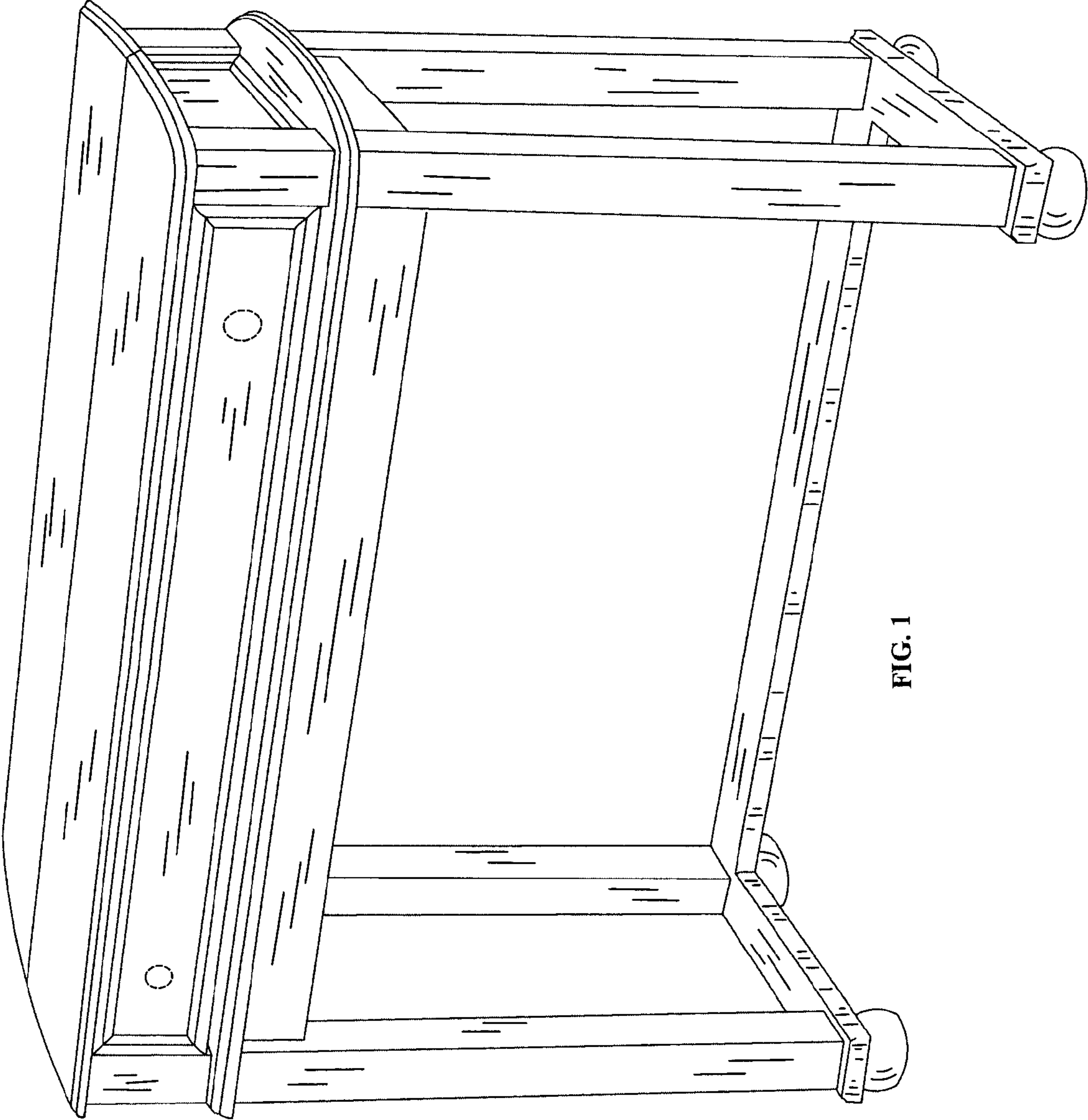


FIG. 1

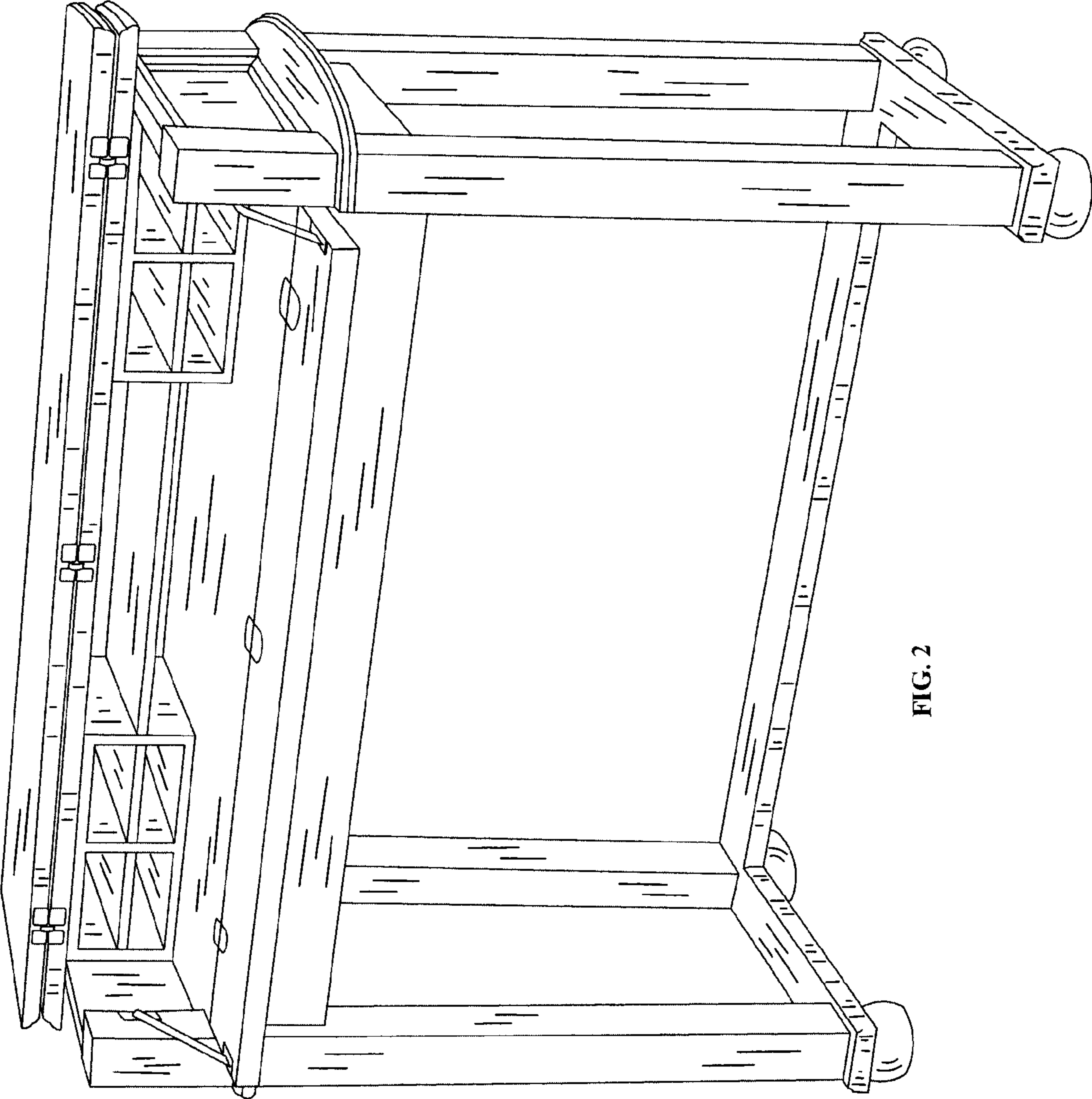


FIG. 2

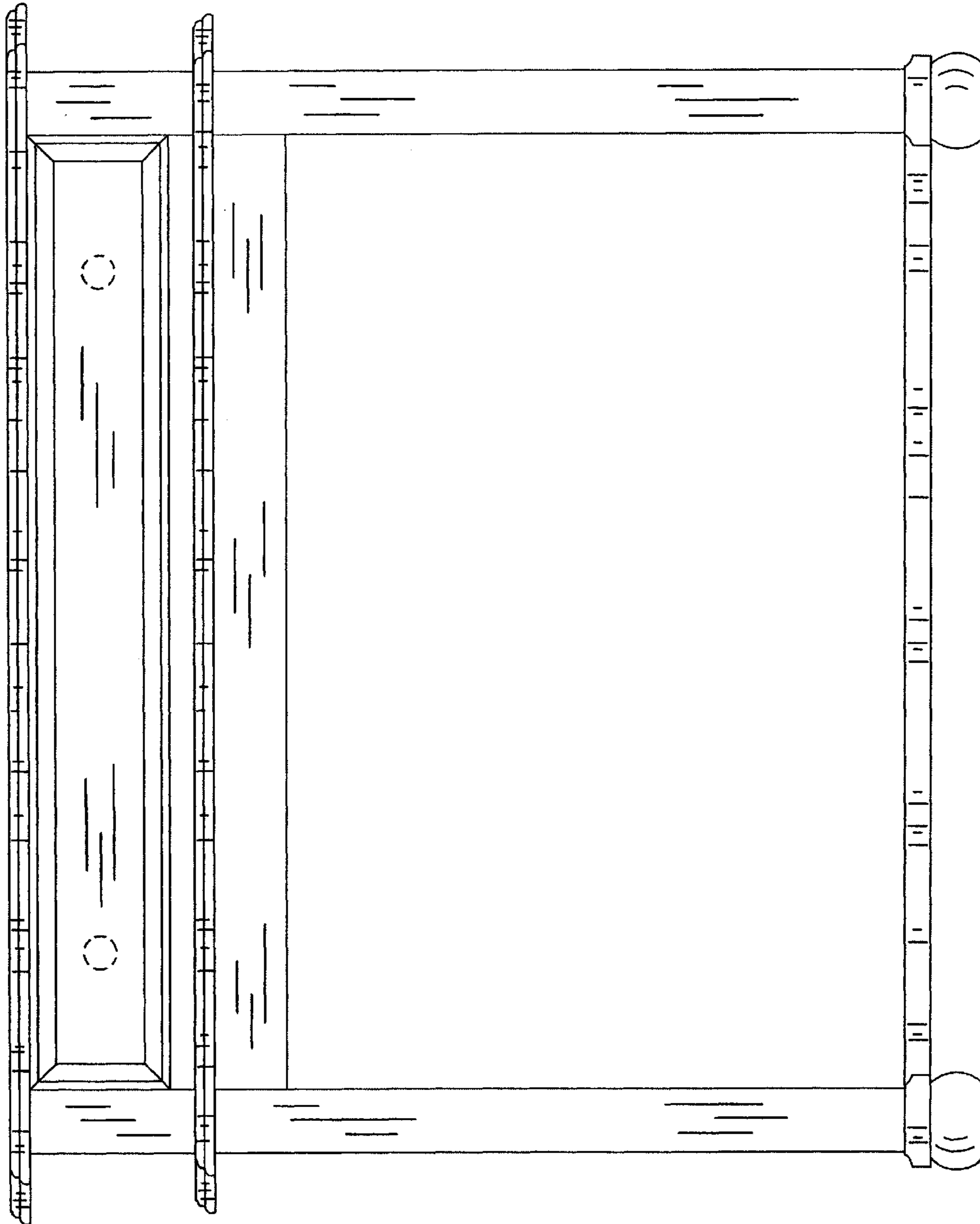
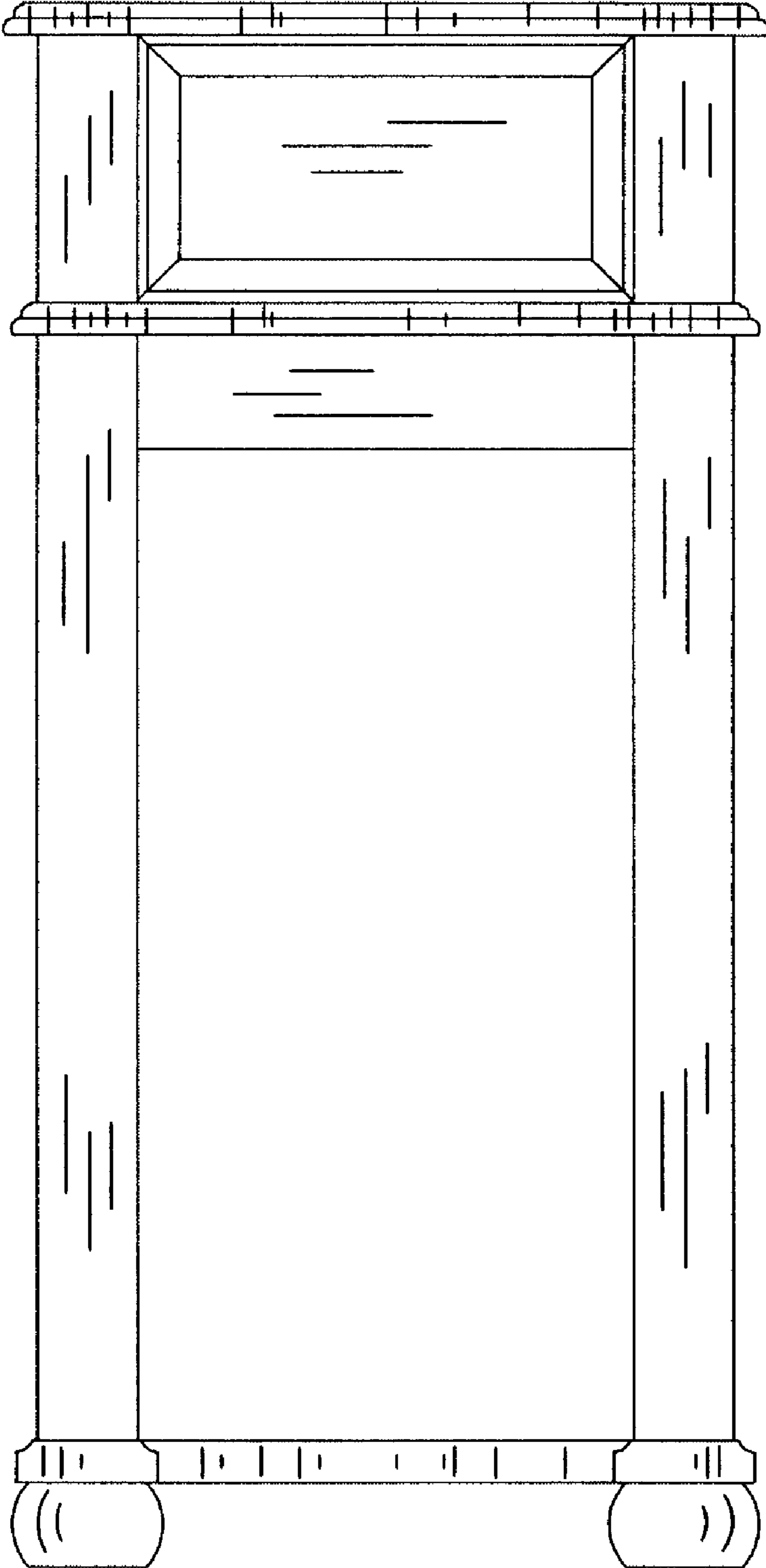


FIG. 3

FIG. 4



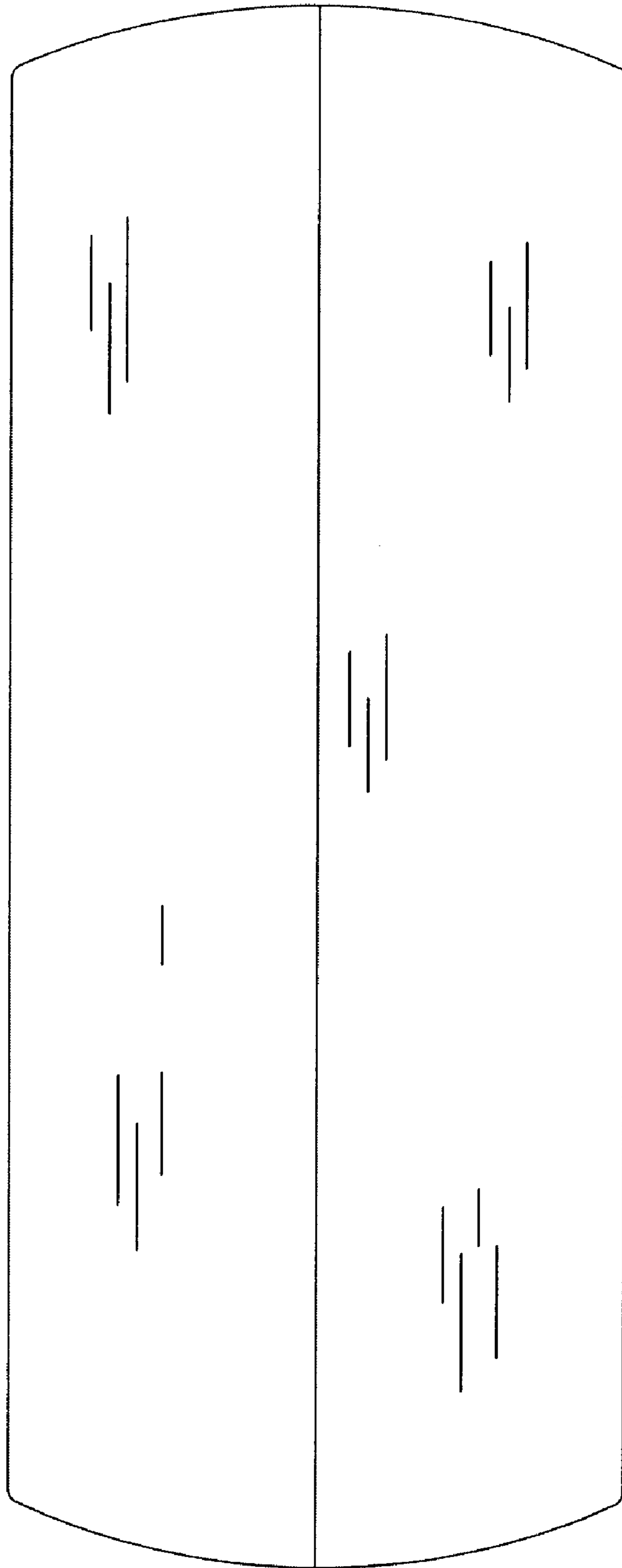


FIG. 5

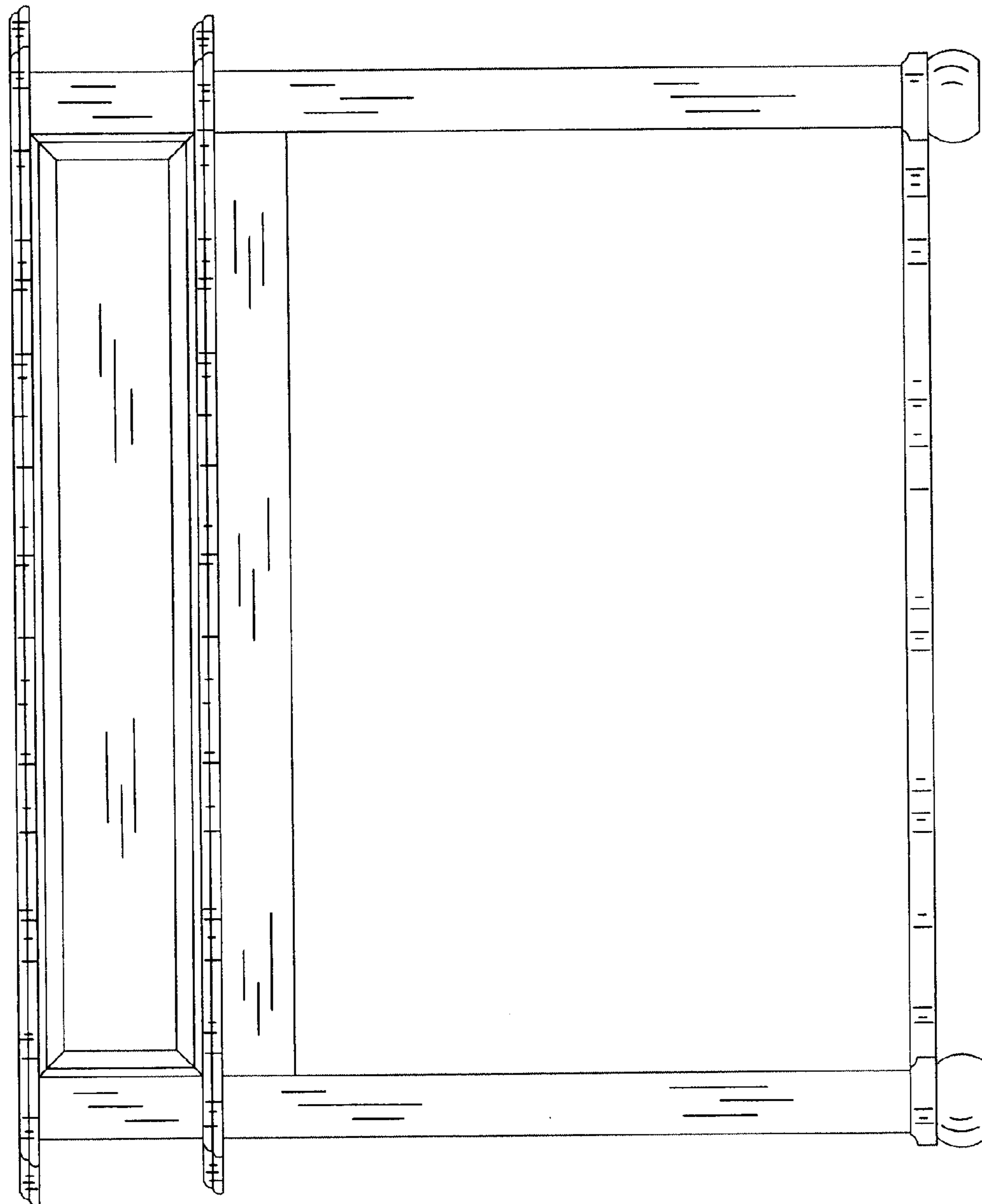


FIG. 6