



US00D536542S

(12) **United States Design Patent**
Chiu

(10) **Patent No.:** **US D536,542 S**

(45) **Date of Patent:** **** Feb. 13, 2007**

(54) **BALL CHAIR**

(76) **Inventor:** **Ciber Chiu**, No. 54-6, Chipan Lane,
Lukang Chen, Changhua Hsien (TW)

(**) **Term:** **14 Years**

(21) **Appl. No.:** **29/251,205**

(22) **Filed:** **Jan. 5, 2006**

(51) **LOC (8) Cl.** **06-01**

(52) **U.S. Cl.** **D6/352**

(58) **Field of Classification Search** D6/334-336,
D6/349, 358, 353, 356, 360, 377, 364-366,
D6/368-370, 379-381, 500-502, 352; 297/16.1,
297/68, 452.1, 452.2, 461, 118; D11/149;
5/12.1, 653, 655.3

See application file for complete search history.

(56) **References Cited**

U.S. PATENT DOCUMENTS

D267,680 S * 1/1983 Leffler et al. D6/366
D383,321 S * 9/1997 Honeycutt, Sr. D6/358
5,690,389 A * 11/1997 Ekman et al. 297/452.41
6,070,943 A * 6/2000 Guery-Strahm 297/452.41
6,390,559 B1 * 5/2002 Schnitzhofer 297/452.41
6,447,070 B1 * 9/2002 Ekman et al. 297/452.41

D471,025 S * 3/2003 Chiu D6/366
D471,371 S * 3/2003 Chiu D6/366
6,616,238 B1 * 9/2003 Guery-Strahm 297/452.41
6,702,388 B1 * 3/2004 Chiu 297/452.41
6,832,817 B1 * 12/2004 Chiu 297/452.41
D503,553 S * 4/2005 Chiu D6/352
D509,548 S * 9/2005 Heitzman et al. D21/662
7,044,558 B2 * 5/2006 Chiu 297/452.41

* cited by examiner

Primary Examiner—Sandra S. Snapp

(74) *Attorney, Agent, or Firm*—Frenkel & Associates, P.C.

(57) **CLAIM**

The ornamental design for a ball chair, as shown.

DESCRIPTION

FIG. 1 is a perspective view of a ball chair, showing my new design;

FIG. 2 is a front view thereof;

FIG. 3 is a rear view thereof;

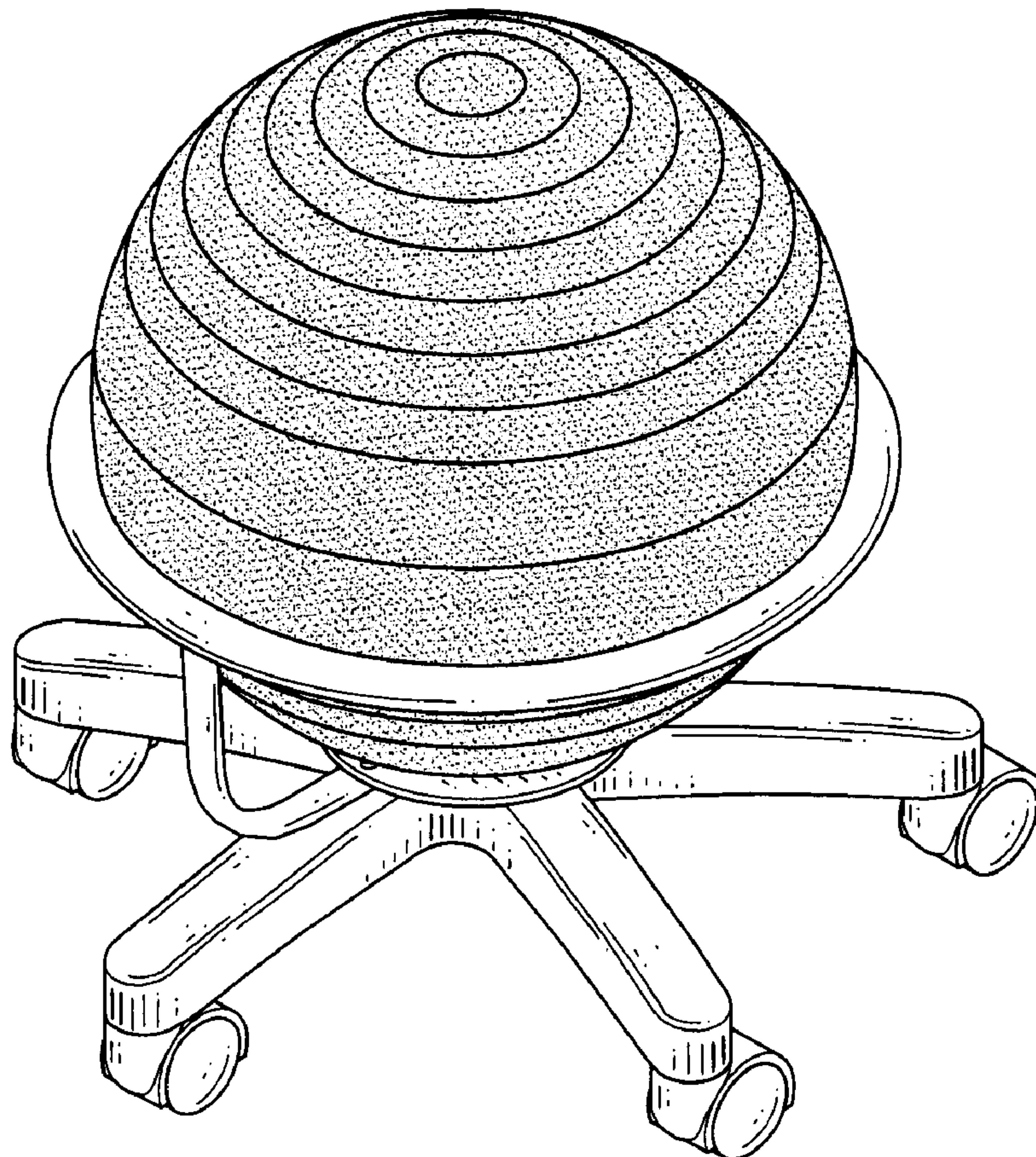
FIG. 4 is a left view thereof;

FIG. 5 is a right view thereof;

FIG. 6 is a top view thereof; and,

FIG. 7 is a bottom view thereof.

1 Claim, 4 Drawing Sheets



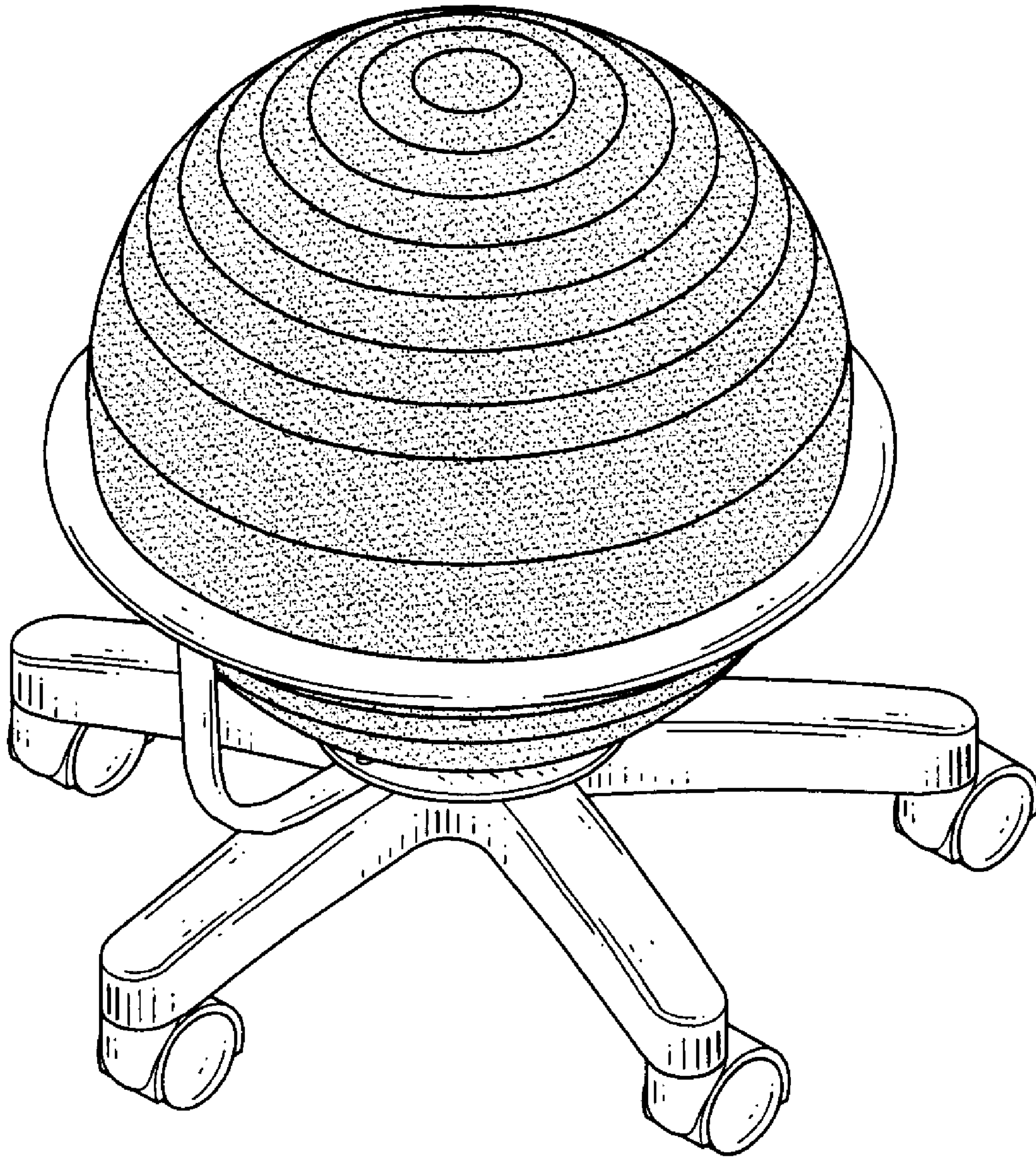


FIG. 1

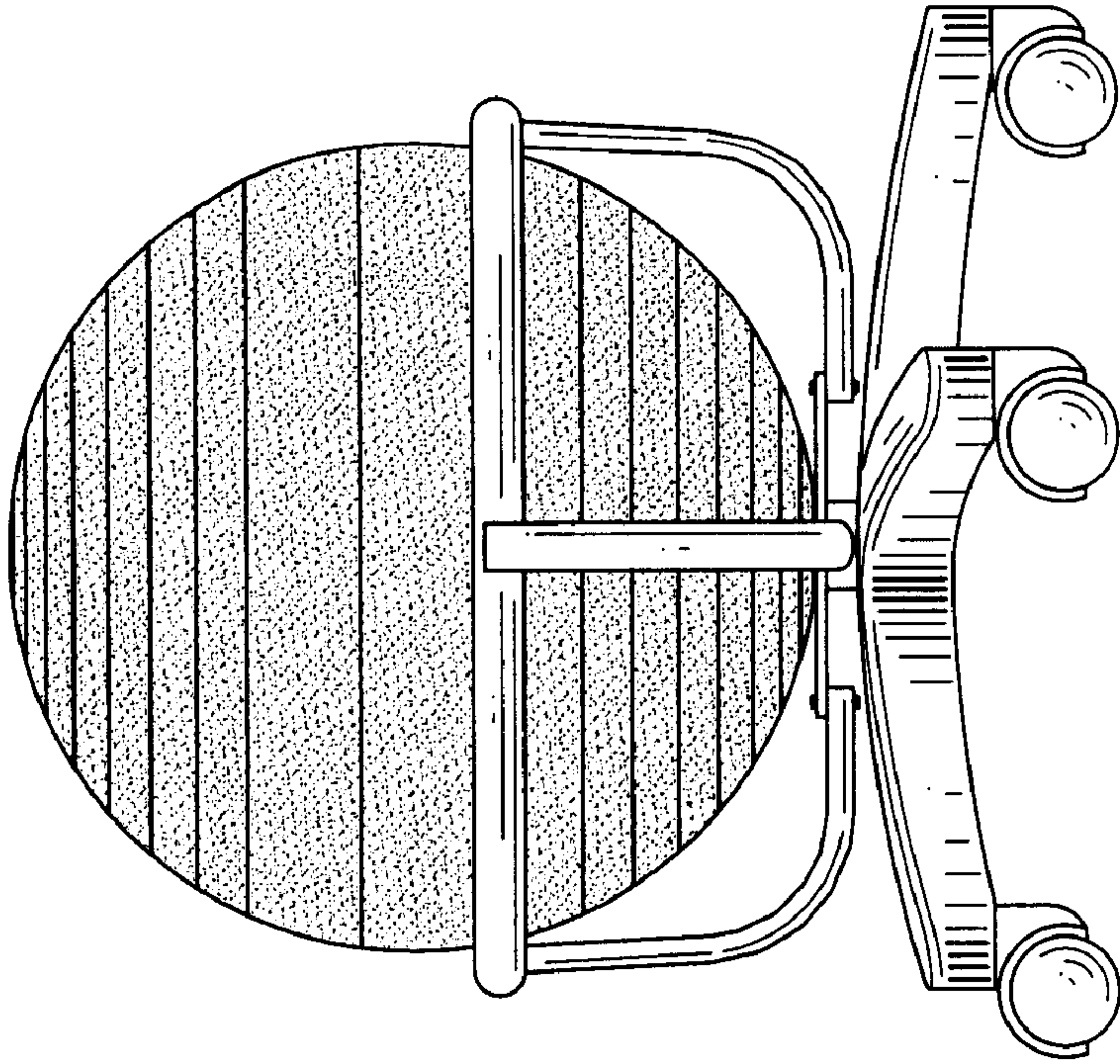


FIG.3

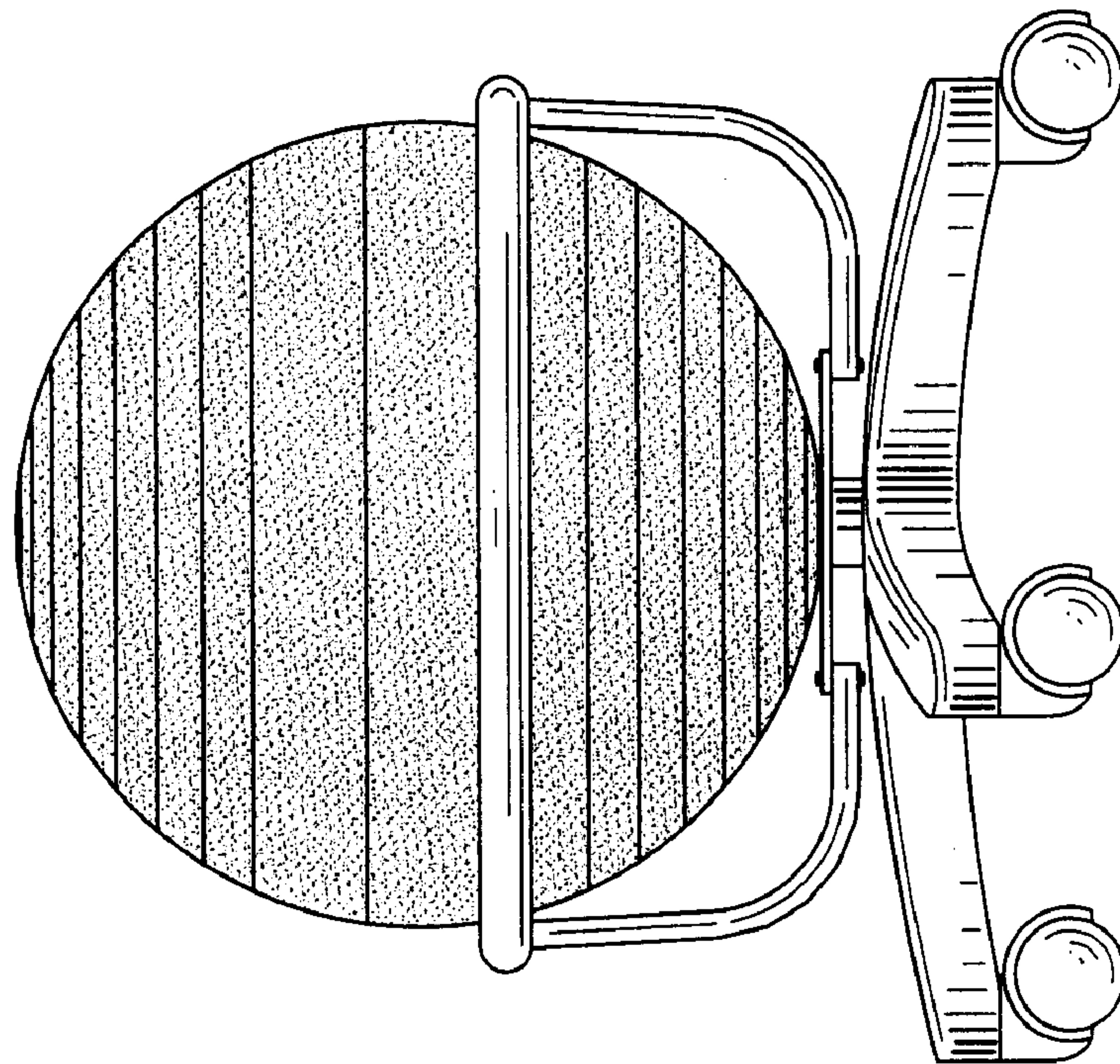


FIG.2

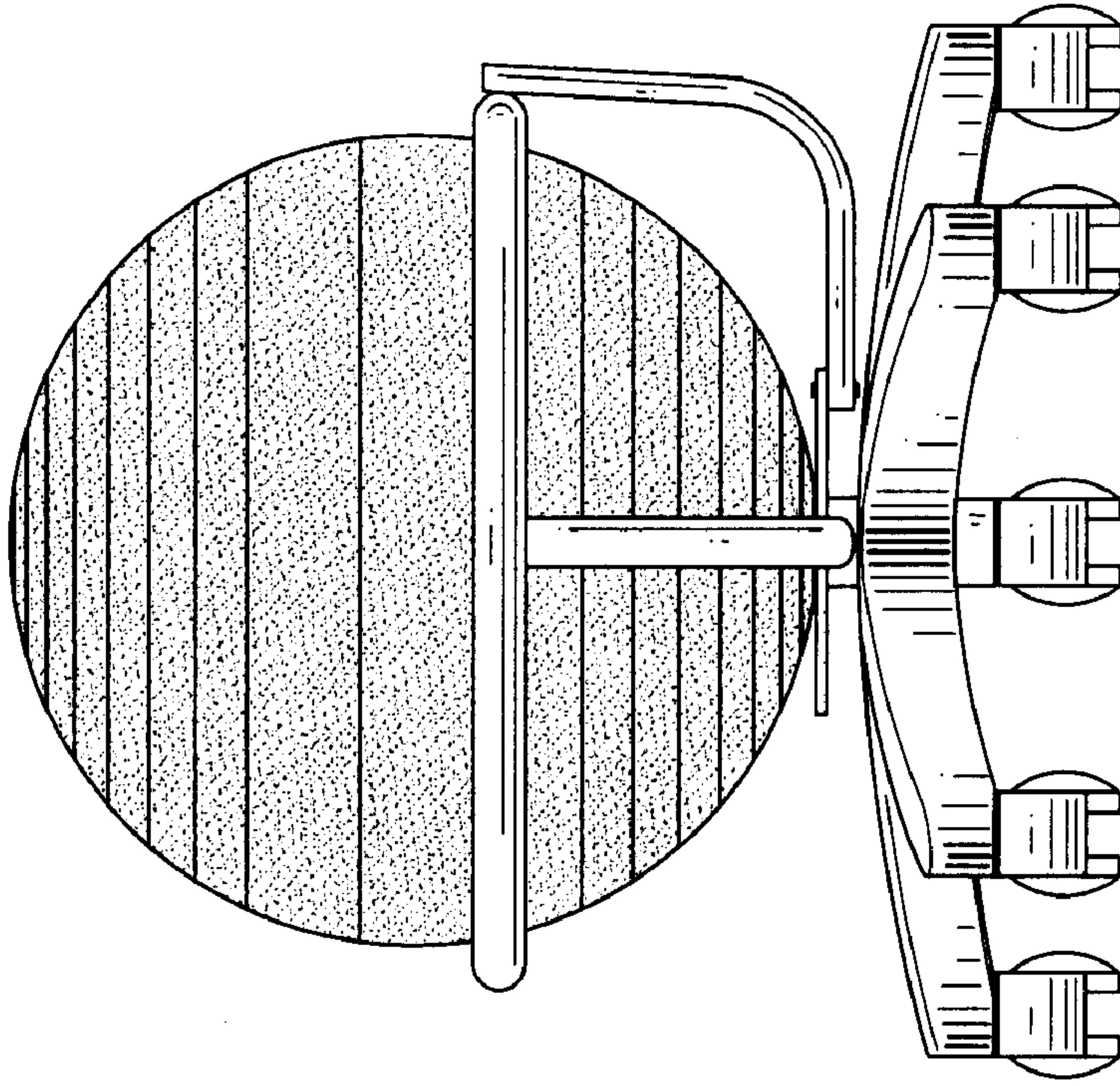


FIG.5

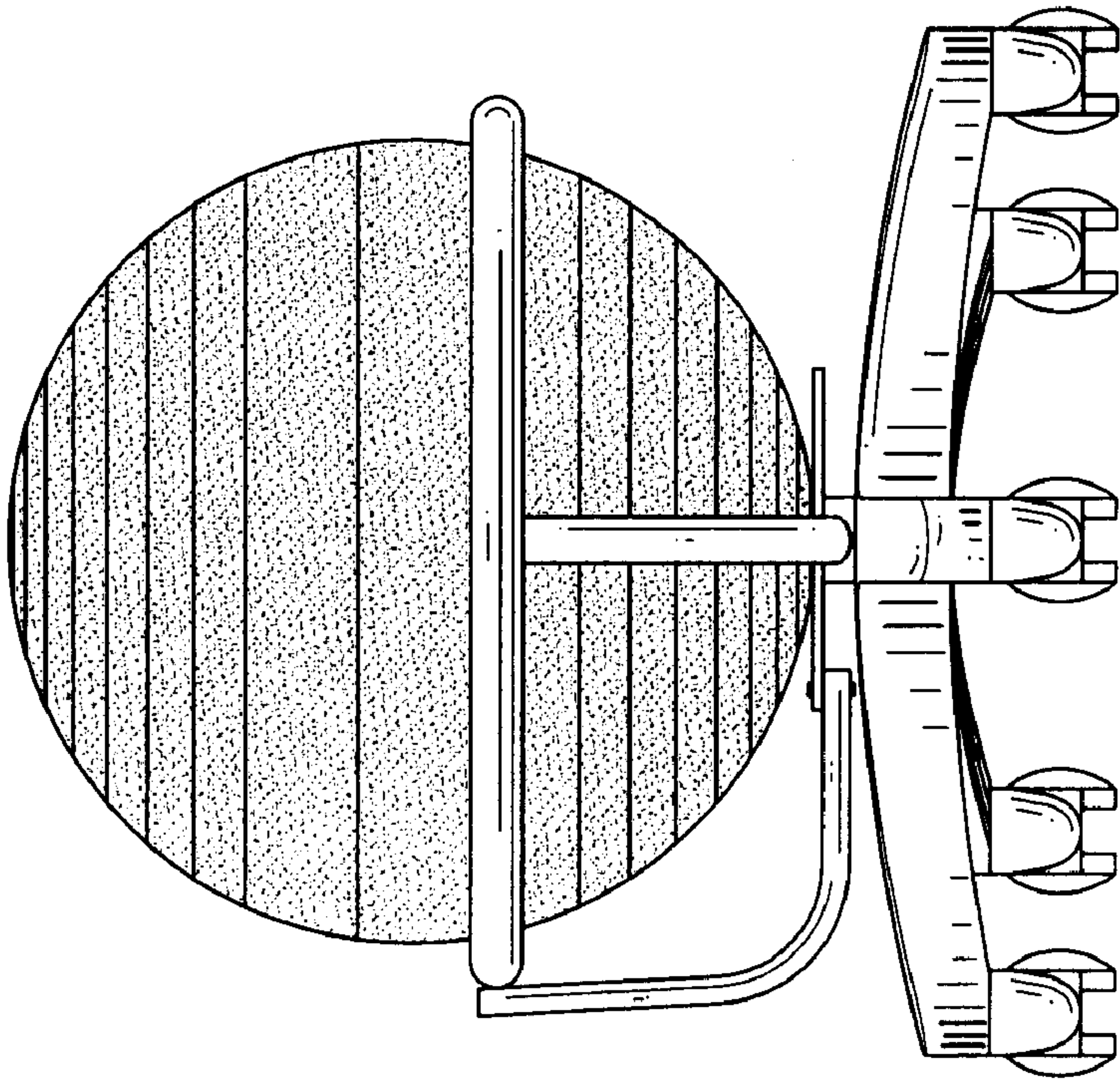


FIG.4

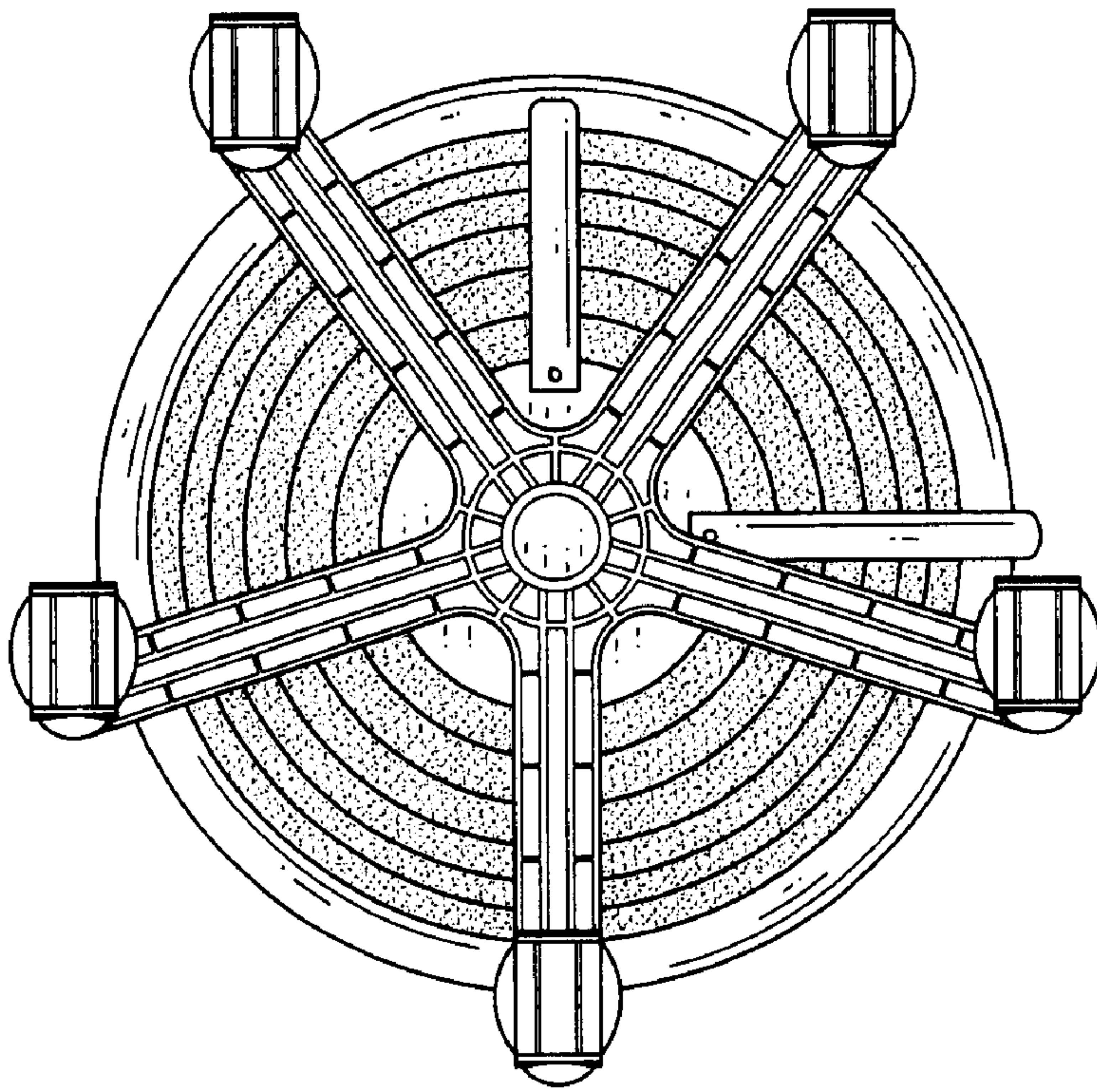


FIG. 7

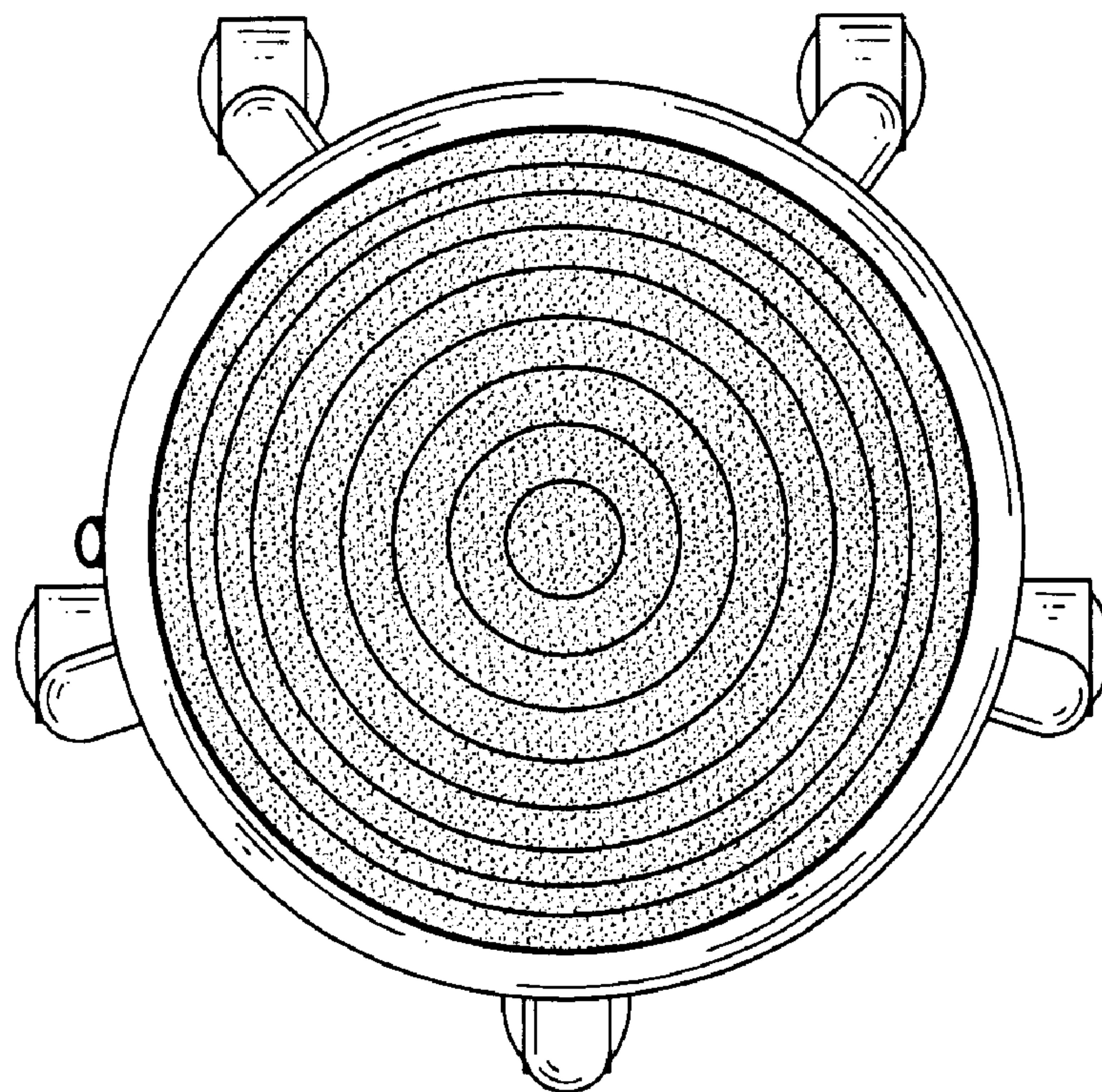


FIG. 6