



US00D536537S

(12) **United States Design Patent**  
**Ping Sheng**

(10) **Patent No.:** **US D536,537 S**

(45) **Date of Patent:** **\*\* Feb. 13, 2007**

- (54) **SYNTHETIC WICKER**
- (75) Inventor: **Wang Ping Sheng**, Hong Kong (HK)
- (73) Assignee: **Agio International Company, Ltd.**,  
Hong Kong (HK)
- (\*\*) Term: **14 Years**
- (21) Appl. No.: **29/257,903**
- (22) Filed: **Apr. 12, 2006**
- (51) **LOC (8) Cl.** ..... **05-99**
- (52) **U.S. Cl.** ..... **D5/99**
- (58) **Field of Classification Search** ..... D5/1-3,  
D5/5, 7-8, 11, 13-16, 19-20, 23-28, 30,  
D5/32, 35-37, 39, 43, 45, 47, 49-50, 52-66,  
D5/88; D2/749, 994; D6/582-583, 595-596,  
D6/598, 608, 603-606, 613, 616, 617, 619,  
D6/622; 297/451.9, 452.64; 442/889; 428/17-18,  
428/151, 154, 156, 171, 187, 198, 199, 540,  
428/542.2, 542.6, 919, 904.43; D8/8; D24/124,  
D24/125, 126; D25/142, 152; 5/413 AM,  
5/709; 162/134, 140, 109, 231; 156/148,  
156/209; D7/396.4-5; D1/126; D15/138  
See application file for complete search history.

3,078,755 A *	2/1963	Chace, Jr. ....	D5/7
3,706,613 A *	12/1972	Toki et al. ....	156/148
3,792,899 A *	2/1974	Ricchia et al. ....	297/451.9
4,661,406 A *	4/1987	Gruhn et al. ....	428/375
4,975,232 A *	12/1990	Hattori et al. ....	156/148
5,130,193 A *	7/1992	Ikeda ....	156/148
D349,634 S *	8/1994	Skinner et al. ....	D8/8
D364,079 S *	11/1995	Skinner ....	D15/138
D365,734 S *	1/1996	Skinner ....	D8/8
D370,395 S *	6/1996	Skinner et al. ....	D15/138
D379,052 S *	5/1997	Skinner ....	D8/8
5,704,690 A *	1/1998	Schwartz ....	297/451.9
D395,171 S *	6/1998	Schwartz ....	D5/99
5,803,540 A *	9/1998	Schwartz ....	297/451.9
5,845,970 A *	12/1998	Schwartz ....	428/17
D409,001 S *	5/1999	Schwartz ....	D5/99
6,179,382 B1 *	1/2001	Schwartz ....	297/451.9
D437,101 S *	2/2001	Debbouz et al. ....	D1/126
6,458,726 B1 *	10/2002	Harrington et al. ....	428/375
D474,614 S *	5/2003	Schwartz ....	D5/99
6,592,716 B1 *	7/2003	Kim et al. ....	162/140
6,790,796 B2 *	9/2004	Smith et al. ....	442/189
D509,045 S *	9/2005	Buckley et al. ....	D1/199
D514,264 S *	1/2006	Viola ....	D1/126
D521,252 S *	5/2006	Hou ....	D5/99
2002/0182409 A1 *	12/2002	Gueret ....	428/375
2003/0035951 A1 *	2/2003	Magill et al. ....	428/375
2003/0035953 A1 *	2/2003	Wehrauch ....	428/375
2003/0068948 A1 *	4/2003	Smith et al. ....	442/189

(Continued)

(56) **References Cited**

U.S. PATENT DOCUMENTS

239,514 A *	3/1881	Leadley ....	D25/122
326,329 A *	9/1885	Ransom ....	D5/50
D18,588 S *	9/1888	Schuck ....	D5/7
D18,589 S *	9/1888	Schuck ....	D5/7
414,090 A *	10/1889	Taylor ....	72/468
D19,630 S *	1/1890	Schuck ....	D5/7
596,217 A *	12/1897	Rapp ....	D25/126
D29,914 S *	12/1898	Merrick ....	D5/7
D30,748 S *	5/1899	Kirberg ....	D5/7
1,820,868 A *	8/1931	Epatin ....	D5/7
1,923,322 A *	8/1933	Mendel ....	156/148
1,997,771 A *	4/1935	McGowan ....	D5/7
D152,208 S *	12/1948	O'Dea ....	D5/7
D159,301 S *	7/1950	Stegeman ....	D5/7
D163,652 S *	6/1951	Stegeman ....	D5/7

*Primary Examiner*—T. Chase Nelson

(74) *Attorney, Agent, or Firm*—Williams Mullen; M. Bruce Harper; Kelly J. Hollowell

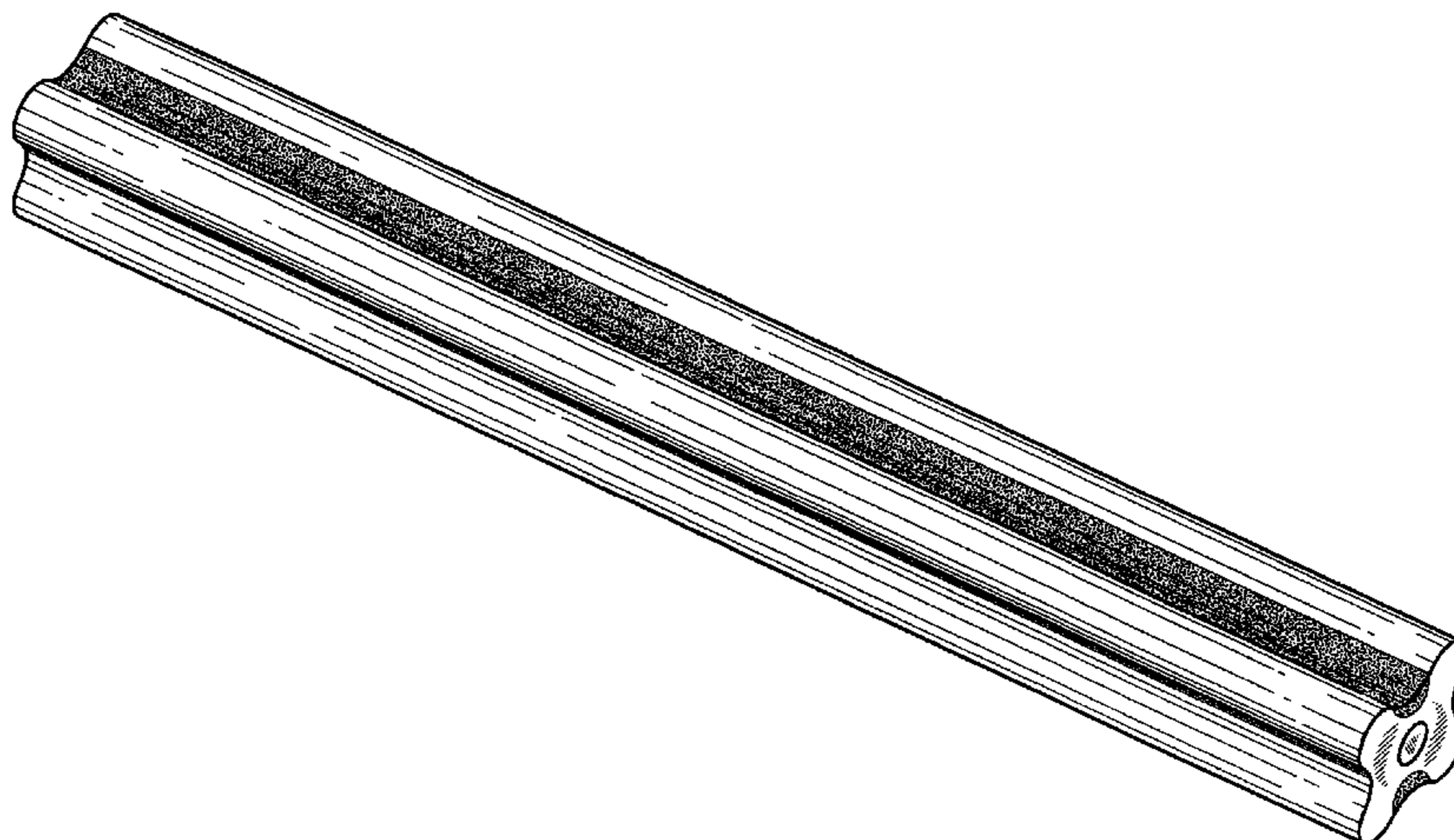
(57) **CLAIM**

The ornamental design for synthetic wicker, as shown.

**DESCRIPTION**

FIG. 1 is a left side view;  
FIG. 2 is a top view;  
FIG. 3 is a bottom view;  
FIG. 4 is an end view; and,  
FIG. 5 is a rear and right side perspective view.

**1 Claim, 2 Drawing Sheets**



# US D536,537 S

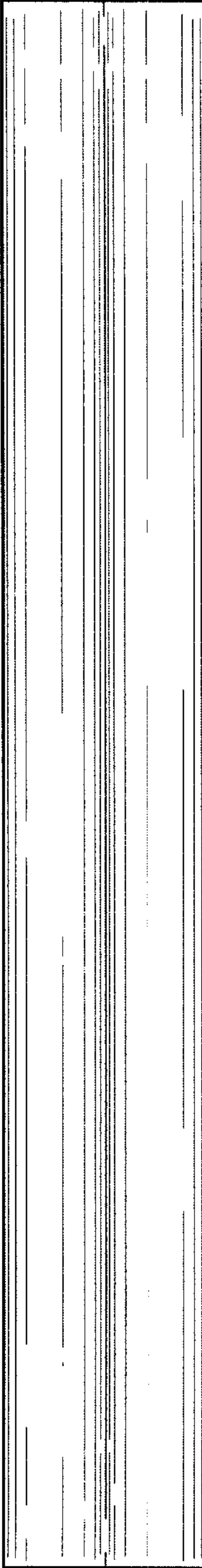
Page 2

---

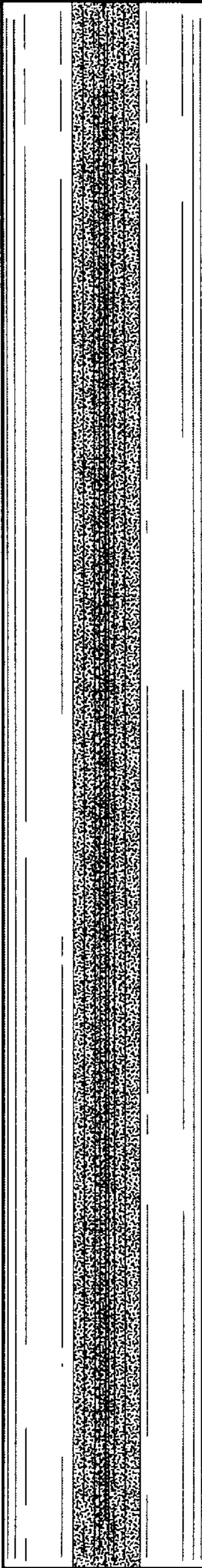
## U.S. PATENT DOCUMENTS

2003/0102707	A1 *	6/2003	Schwartz	.....	297/451.9	2006/0019097	A1 *	1/2006	Weihrauch	.....	428/375
2004/0166314	A1 *	8/2004	Mathis	.....	428/375	2006/0099866	A1 *	5/2006	Leonard et al.	.....	442/189
2005/0003724	A1 *	1/2005	FitzPatrick	.....	442/189	2006/0099867	A1 *	5/2006	Schwartz et al.	.....	442/189
2005/0106975	A1 *	5/2005	Schwartz et al.	.....	156/148	2006/0116041	A1 *	6/2006	Hou	.....	442/189
2005/0206213	A1 *	9/2005	Schwartz	.....	297/452.64						

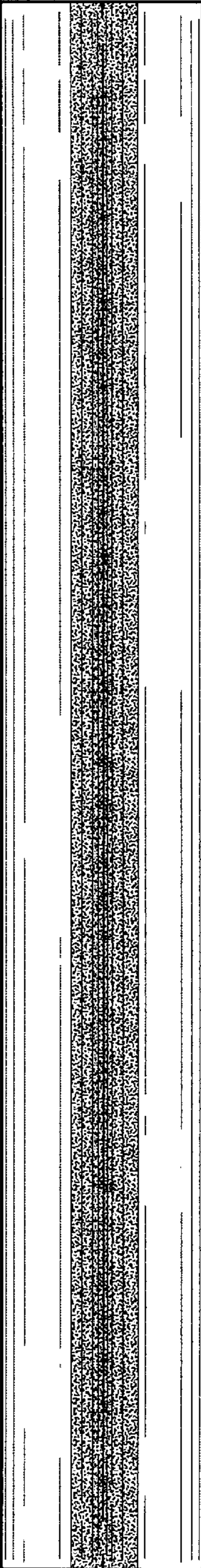
\* cited by examiner



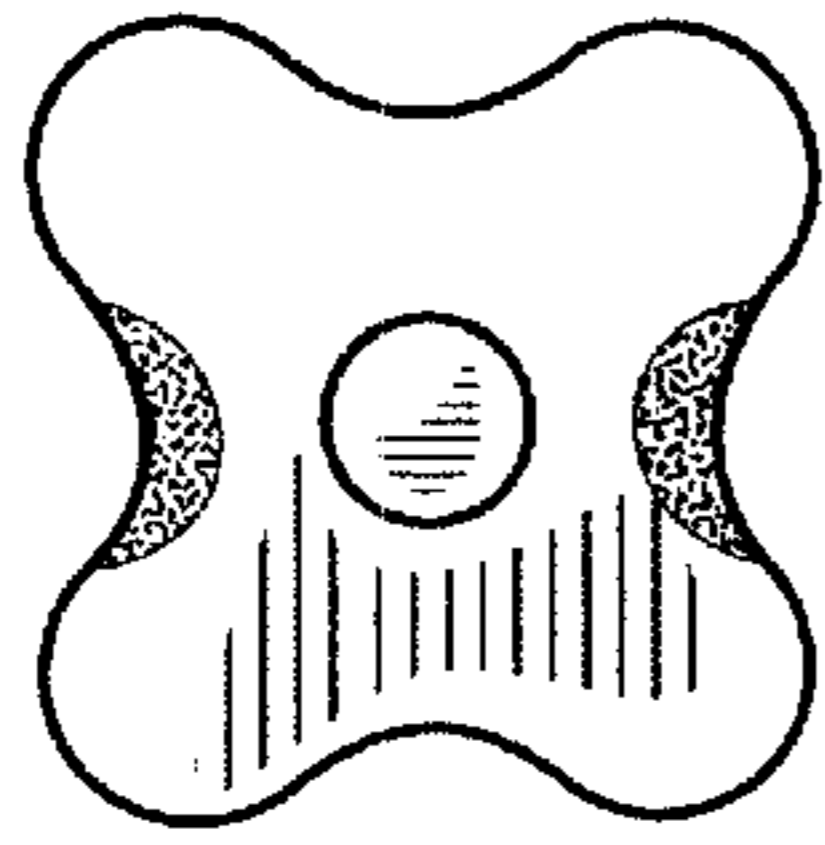
**FIG. 1**



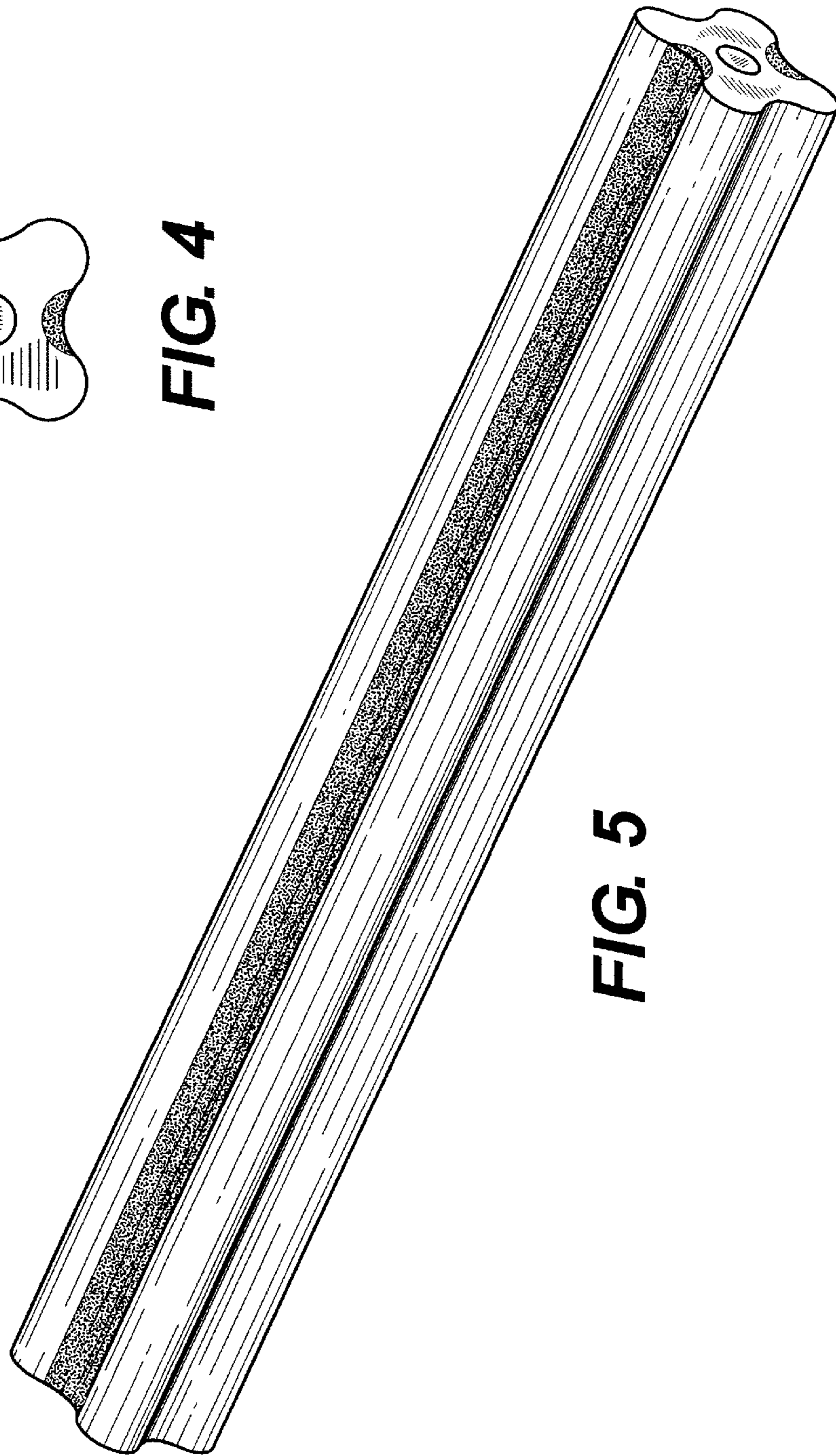
**FIG. 2**



**FIG. 3**



**FIG. 4**



**FIG. 5**