



US00D536528S

(12) **United States Design Patent Grant** (10) **Patent No.: US D536,528 S**
(45) **Date of Patent: ** Feb. 13, 2007**

- (54) **APPLICATOR DEVICE**
- (75) Inventor: **Bradford Grant**, Bridgewater, NJ (US)
- (73) Assignee: **Warner-Lambert Company LLC**,
Morris Plains, NJ (US)
- (**) Term: **14 Years**
- (21) Appl. No.: **29/258,554**
- (22) Filed: **Apr. 24, 2006**

2,652,949 A * 9/1953 Martin 132/308 X
 3,375,820 A * 4/1968 Kuris et al. 601/142
 5,148,567 A * 9/1992 Daub 15/167.2 X

FOREIGN PATENT DOCUMENTS

DE 8906259 9/1989

* cited by examiner

Primary Examiner—Alan P. Douglas
Assistant Examiner—Lavone D. Tabor

(74) *Attorney, Agent, or Firm*—Karen G. Horowitz; Darryl C. Little; Evan J. Federman

Related U.S. Application Data

- (63) Continuation of application No. 29/242,269, filed on Nov. 8, 2005, now abandoned, which is a continuation of application No. 29/230,169, filed on May 18, 2005, now abandoned, application No. 29/258,554, which is a continuation of application No. 29/203,611, filed on Apr. 16, 2004, now abandoned.
- (51) **LOC (8) Cl.** **04-02**
- (52) **U.S. Cl.** **D4/108; D4/114; D4/138**
- (58) **Field of Classification Search** D4/104–112, D4/114, 134, 136, 138; D9/718, 723, 724; D24/146, 147, 211, 214; D28/7, 20, 25, 63; 15/110, 143.1, 167.1, 167.2, 188, 207.2, DIG. 5; 132/308, 309, 311; 401/28, 143, 145, 149–151, 401/164, 171–175, 268, 270, 277, 279, 281, 401/282, 284, 286, 291; 601/139, 141, 142
See application file for complete search history.

(57) **CLAIM**

I claim the ornamental design for an applicator device, as shown and described.

DESCRIPTION

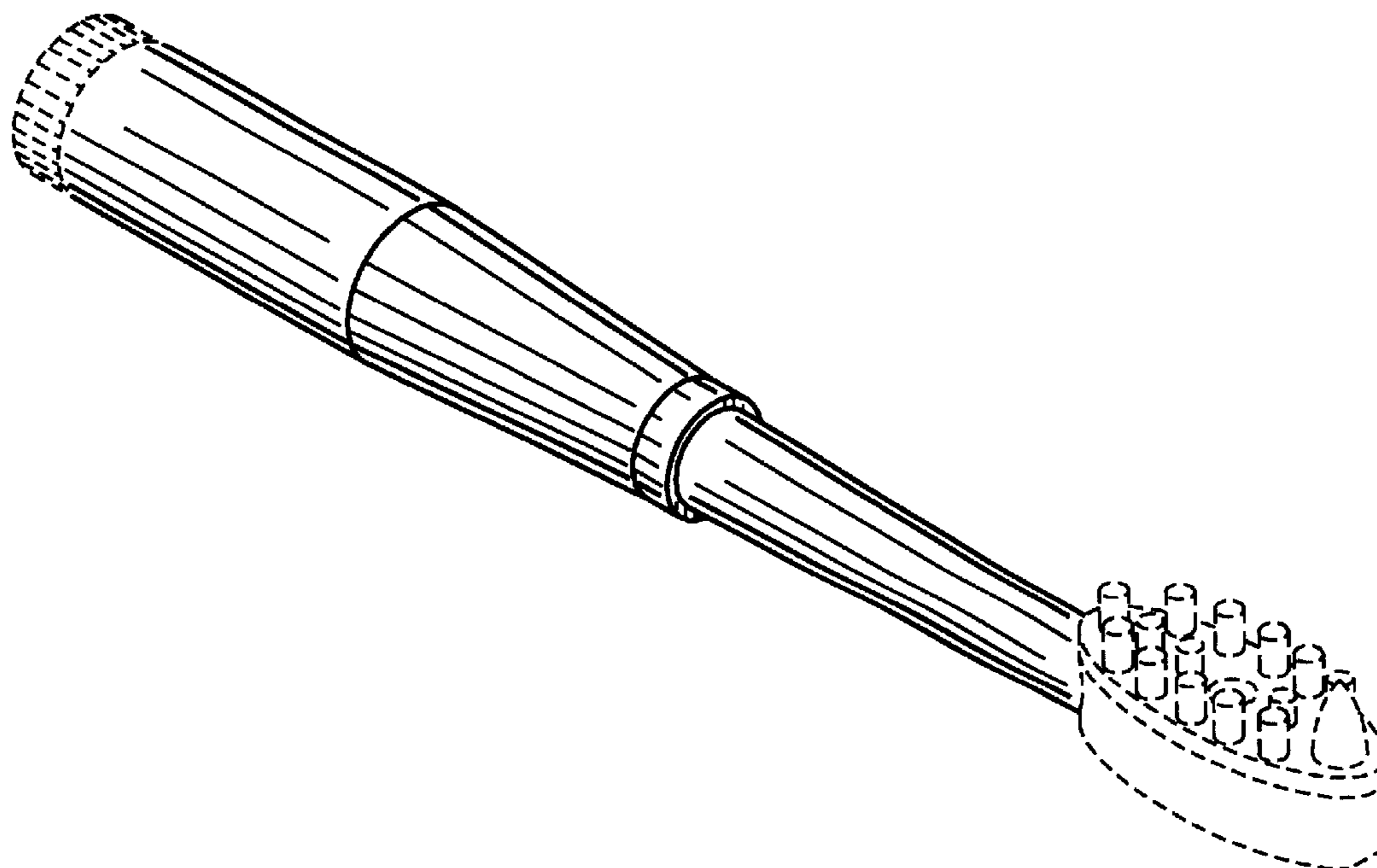
FIG. 1 is a front perspective view of an applicator device; FIG. 2 is a side elevation view of the applicator device shown in FIG. 1; FIG. 3 is a front elevation view of the applicator device shown in FIG. 1; FIG. 4 is a rear elevation view of the applicator device shown in FIG. 1; and, FIG. 5 is a top view of the applicator device shown in FIG. 1.

The ornamental design which is claimed is shown in solid lines in the drawings. The broken lines immediately adjacent the shaded areas represent the bounds of the claim and all of the other broken lines are for illustrative purposes only. None of the broken lines form a part of the claimed design.

(56) **References Cited**
U.S. PATENT DOCUMENTS

1,340,115 A * 5/1920 Breining 401/170

1 Claim, 3 Drawing Sheets



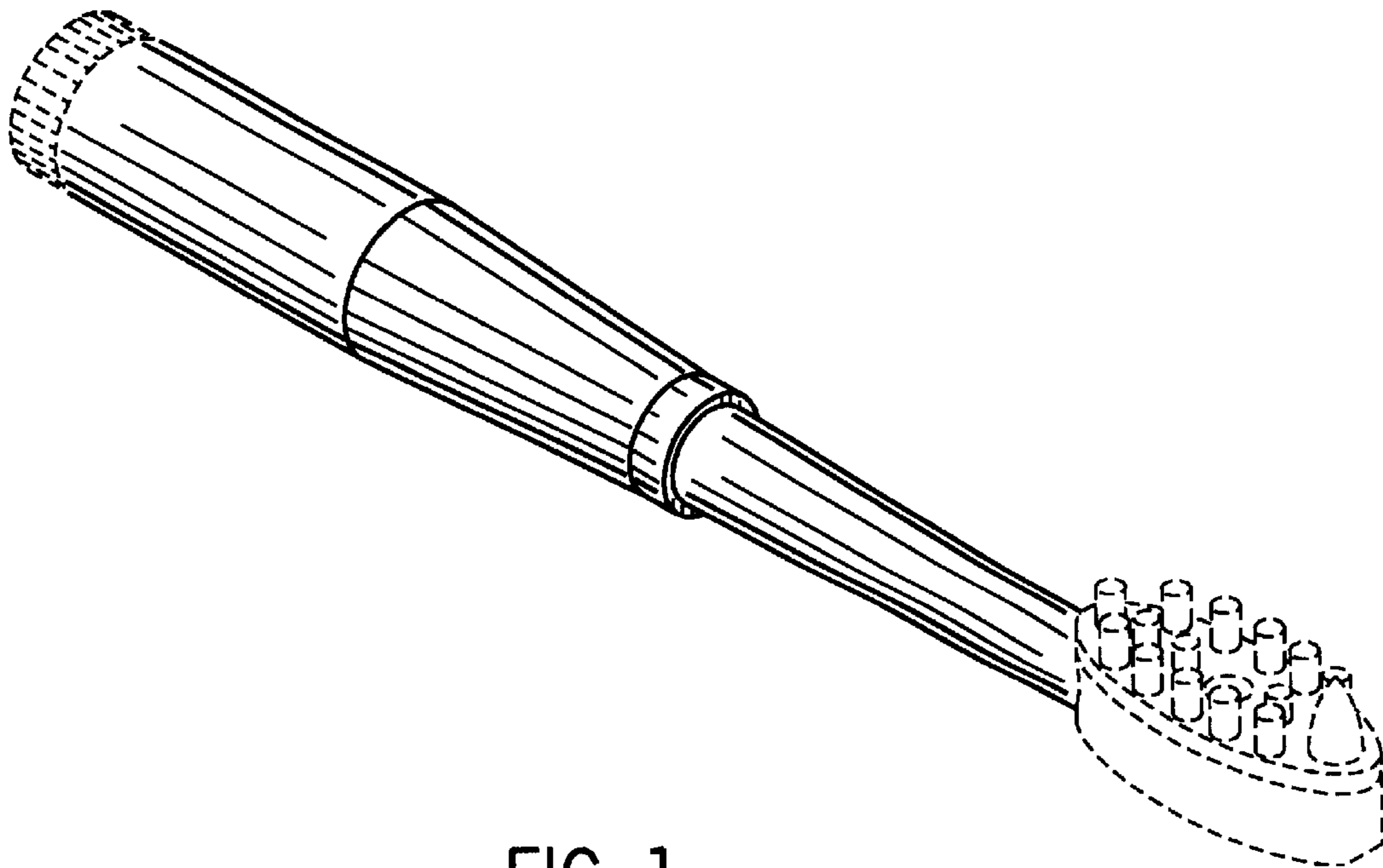


FIG. 1

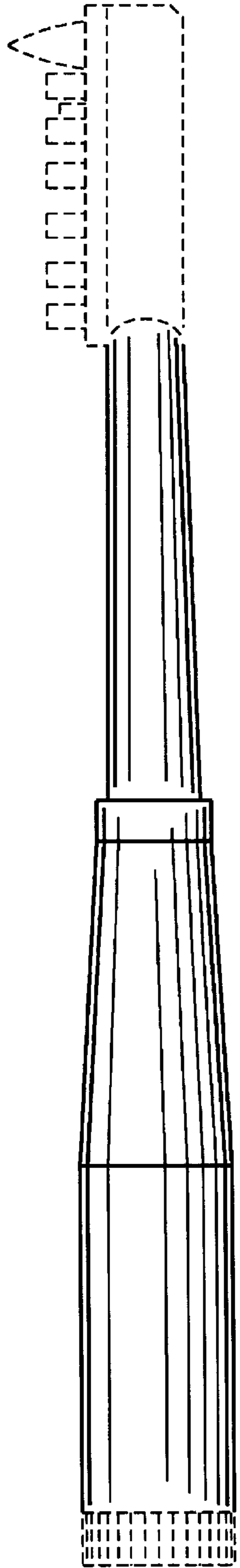


FIG. 2

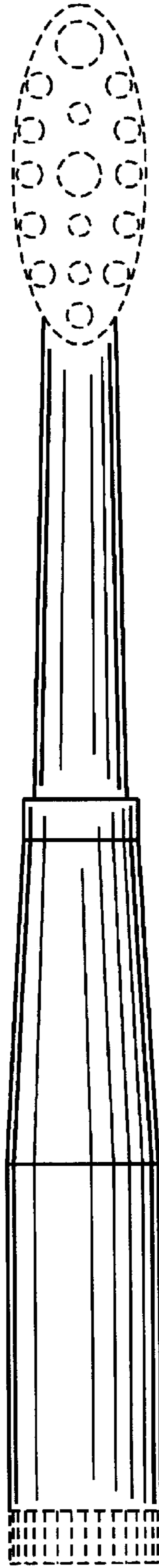


FIG. 3

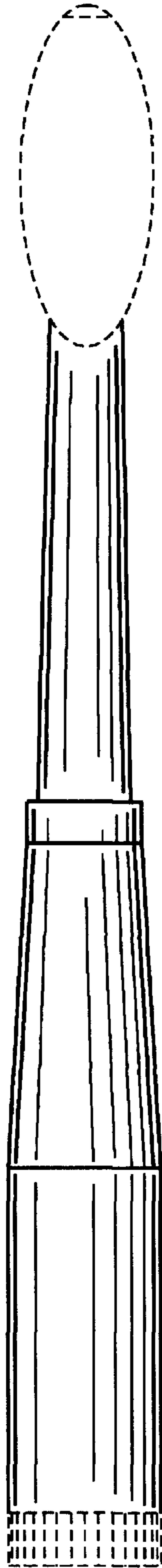


FIG. 4

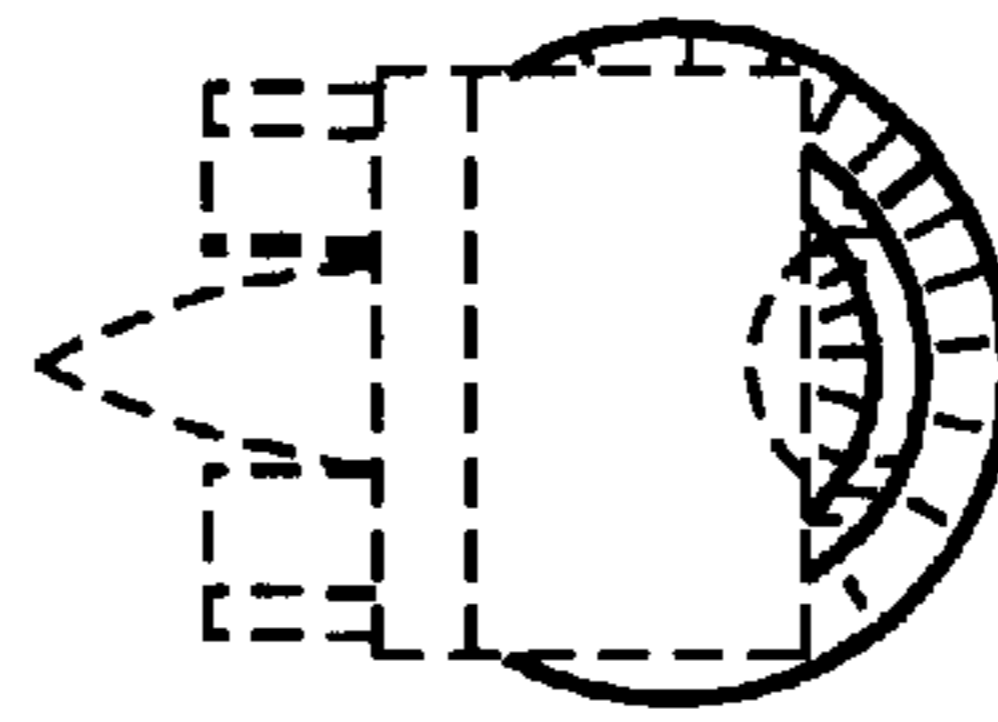


FIG. 5