



US00D536526S

(12) **United States Design Patent**
Leighton

(10) **Patent No.:** **US D536,526 S**

(45) **Date of Patent:** **** Feb. 13, 2007**

(54) **TANK COVER/CARRIER**

(75) Inventor: **Lisa Leighton**, Corona, CA (US)

(73) Assignee: **Canterbury Enterprises, Inc.**, Corona, CA (US)

(**) Term: **14 Years**

(21) Appl. No.: **29/262,129**

(22) Filed: **Jun. 27, 2006**

Related U.S. Application Data

(62) Division of application No. 29/201,933, filed on Mar. 23, 2004, now Pat. No. Des. 526,783.

(51) **LOC (8) Cl.** **03-01**

(52) **U.S. Cl.** **D3/316**

(58) **Field of Classification Search** D3/321,
D3/244-247, 201-202, 232-234, 238, 240,
D3/316, 215, 219, 224, 226, 303, 900, 270;
D9/434-435; 294/31.2; D7/605-608; D23/206
See application file for complete search history.

(56) **References Cited**

U.S. PATENT DOCUMENTS

1,068,066	A	7/1913	Martin	
1,395,485	A	11/1921	Duncan	
3,766,954	A	10/1973	Gentellalli	
3,964,930	A	6/1976	Reiser	
D273,833	S	* 5/1984	Taylor et al.	D7/607
4,514,993	A	* 5/1985	Johnson	62/372
4,759,077	A	* 7/1988	Leslie	383/18
5,313,807	A	* 5/1994	Owen	62/457.3
D349,010	S	7/1994	Johnson	
5,356,046	A	10/1994	Burke	
5,423,586	A	6/1995	Fuller	
D374,975	S	10/1996	Vargas et al.	
5,564,568	A	* 10/1996	Rankin, Sr.	206/446
5,984,172	A	11/1999	Easterwood	
6,006,743	A	12/1999	Shimek et al.	

D418,373	S	* 1/2000	Fair	D7/607
6,012,411	A	1/2000	Hochbrueckner	
D428,554	S	7/2000	Phelps	
6,102,230	A	8/2000	Gould	
6,123,187	A	9/2000	Bartels	
6,142,192	A	11/2000	Dickinson et al.	
D457,936	S	5/2002	Garofalo et al.	
6,508,282	B2	1/2003	Garofalo et al.	
D473,629	S	4/2003	Johnson	
D479,426	S	* 9/2003	Callahan	D6/610
6,612,742	B1	* 9/2003	Carter	383/110
D486,551	S	2/2004	McQuiston	
D486,945	S	2/2004	Brock et al.	
D492,821	S	7/2004	Bergeron	
D517,162	S	* 3/2006	Clower	D23/206

* cited by examiner

Primary Examiner—Louis S. Zarfaz

Assistant Examiner—Kathleen Sims

(74) *Attorney, Agent, or Firm*—Stetina Brunda Garred & Brucker

(57) **CLAIM**

The ornamental design for a tank cover/carrier, as shown and described.

DESCRIPTION

FIG. 1 is a front perspective view of the tankcover/carrier of the present invention showing my new design; FIG. 2 is a right side elevational view thereof; FIG. 3 is a front elevational view thereof; FIG. 4 is a top plan view thereof; FIG. 5 is a bottom plan view thereof; FIG. 6 is a left side elevational view thereof; and, FIG. 7 is a rear elevational view thereof. The smaller broken lines represent conventional stitching and are for illustrative purposes only. The larger broken line showing of the tank cover/carrier is for illustrative purposes only and forms no part of the claimed design.

1 Claim, 2 Drawing Sheets

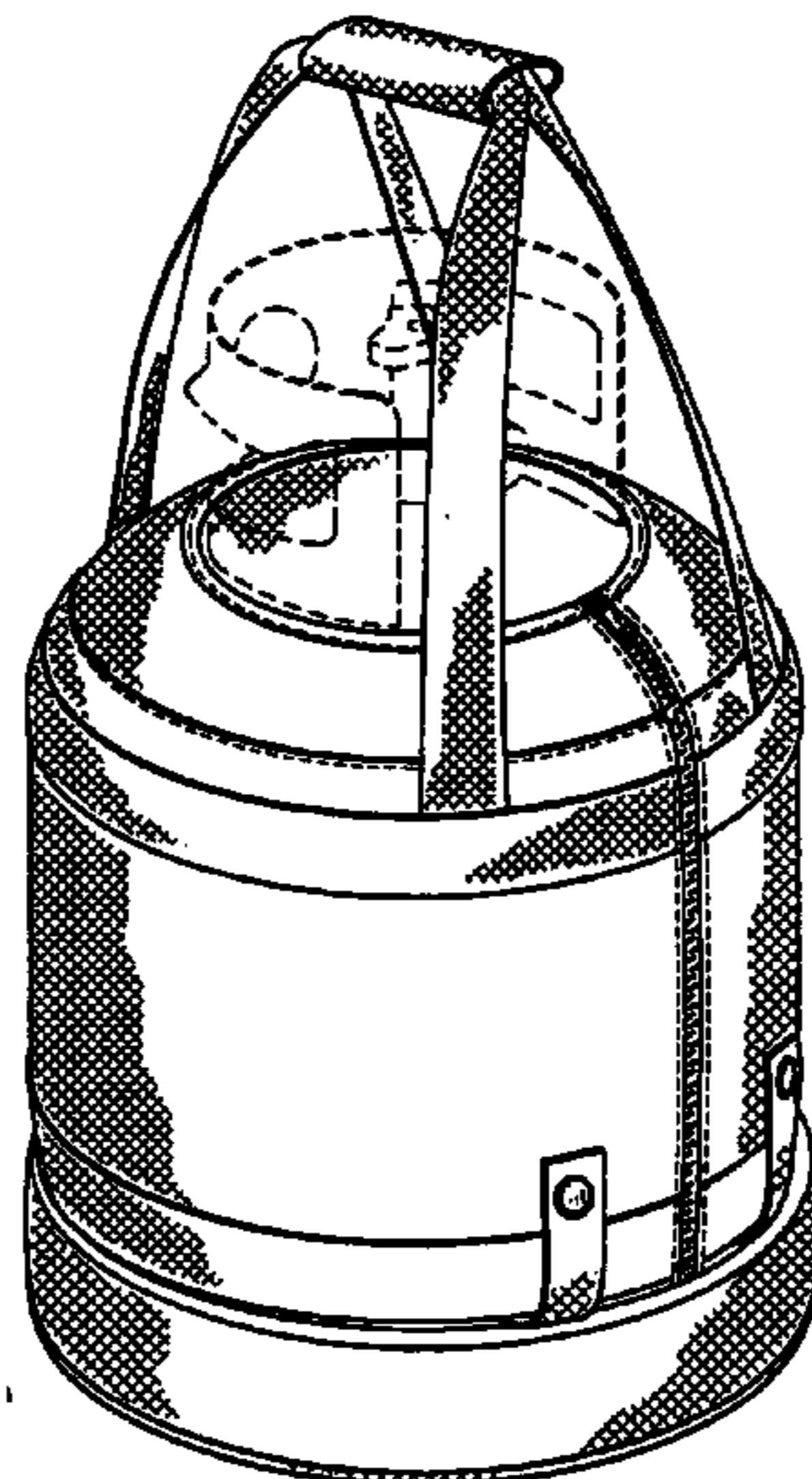


Fig. 1

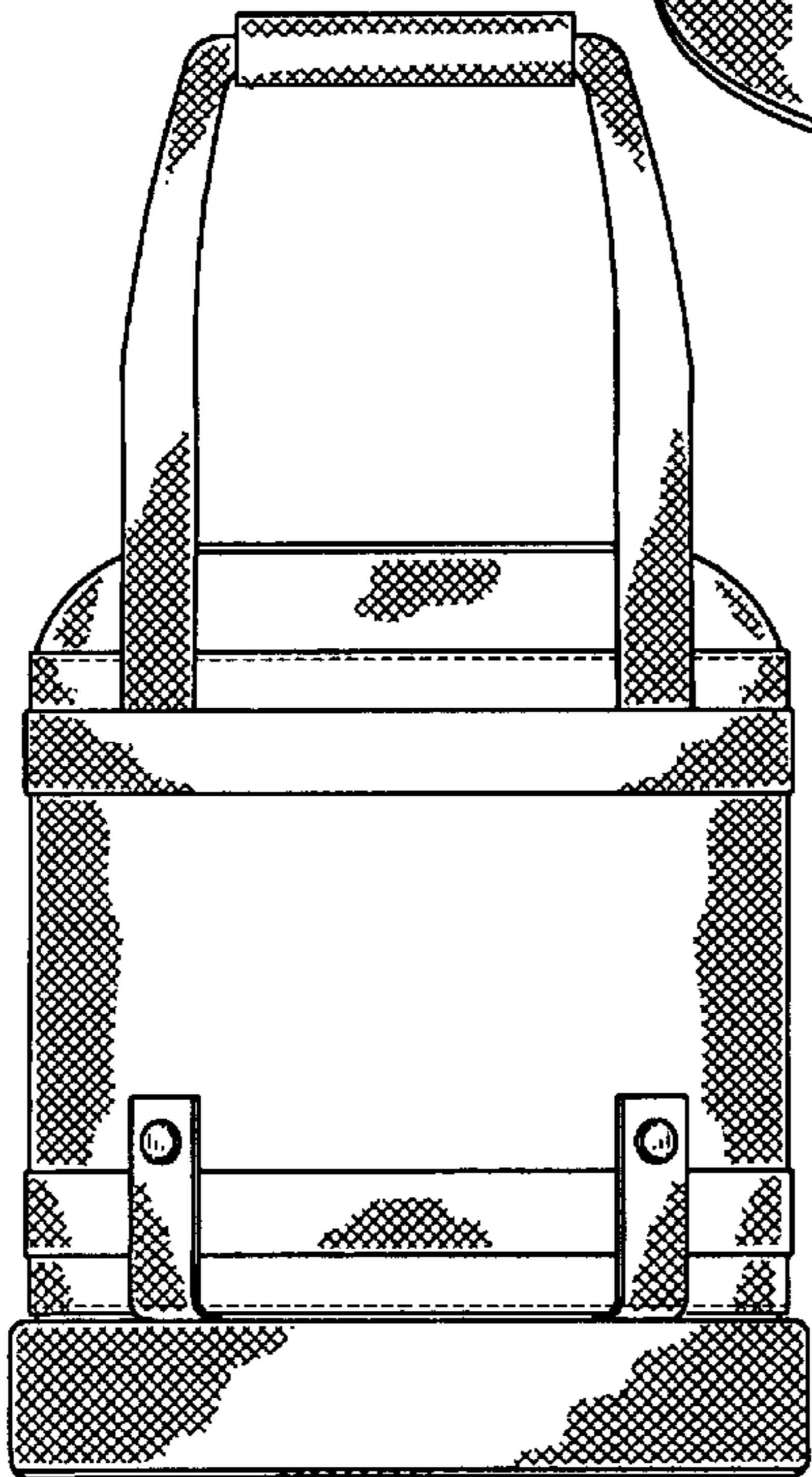
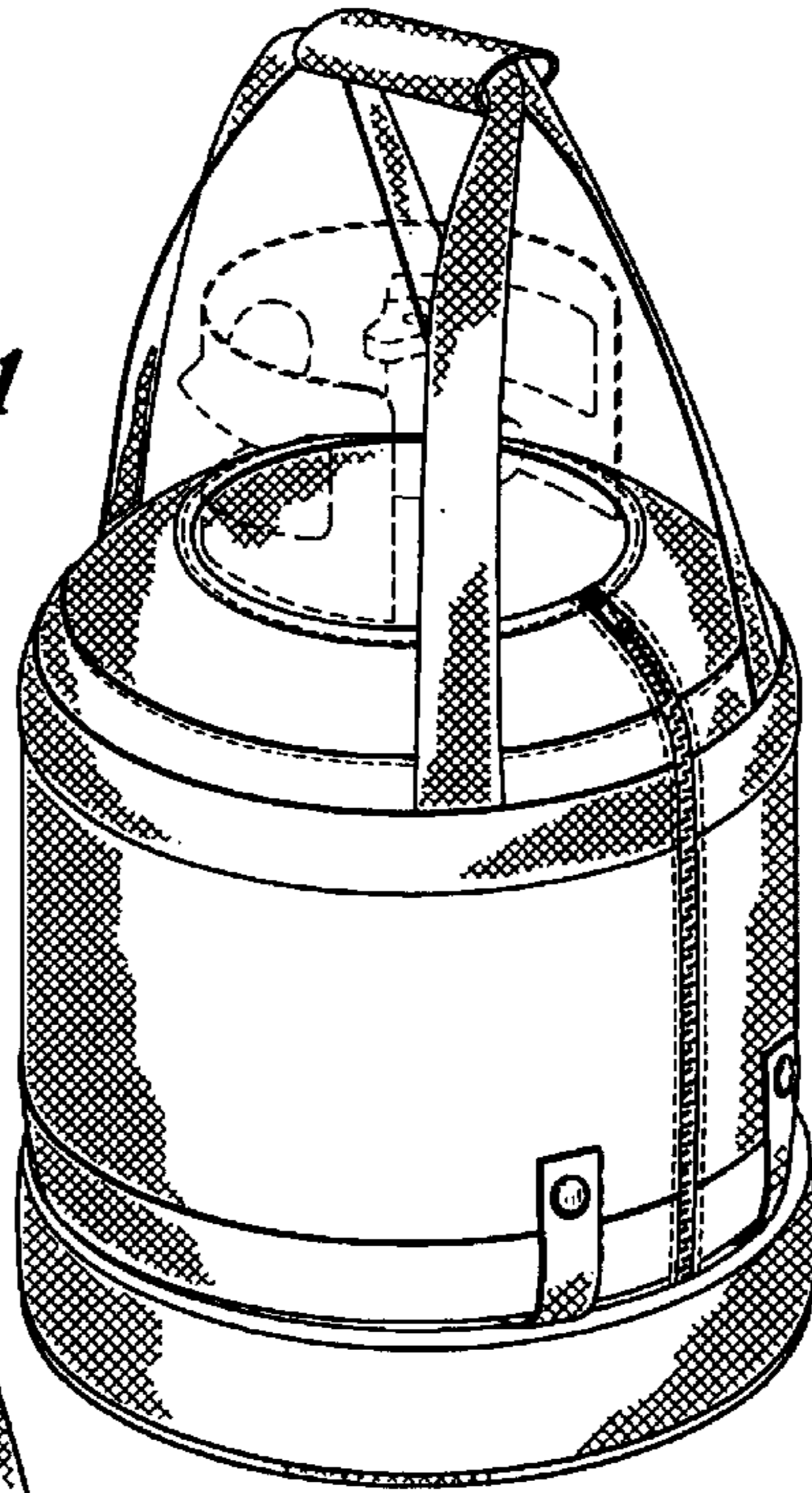


Fig. 2

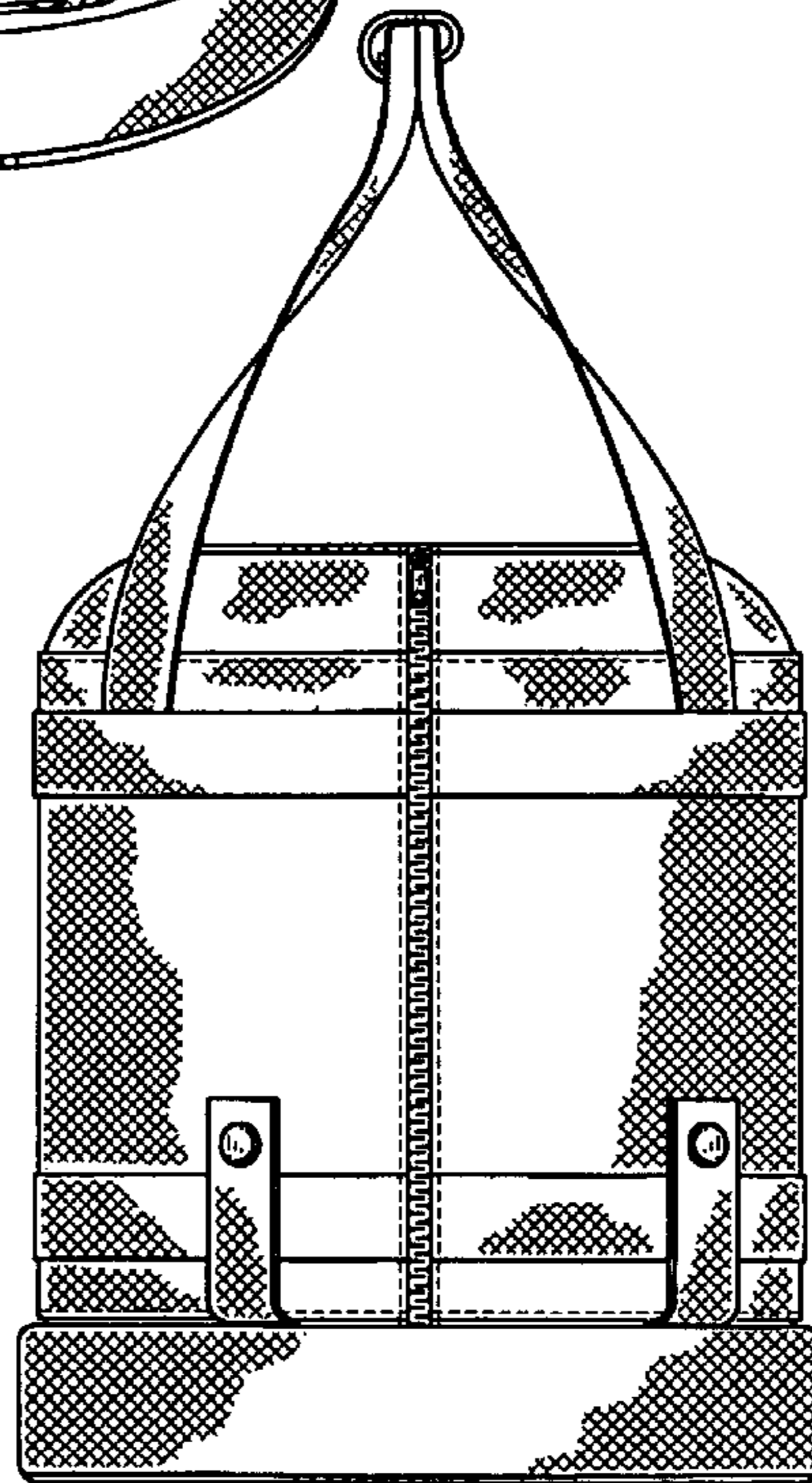


Fig. 3

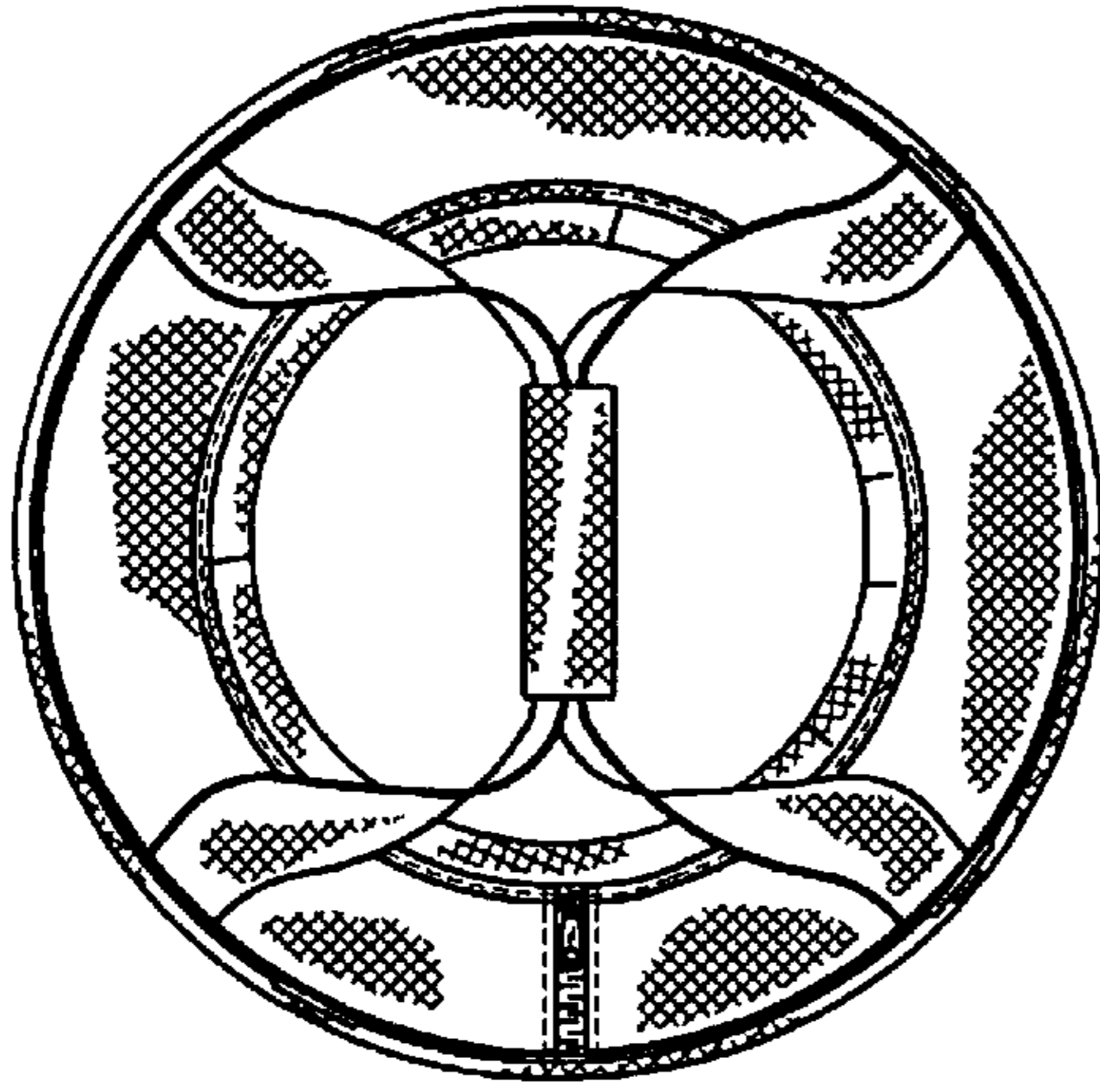


Fig. 4

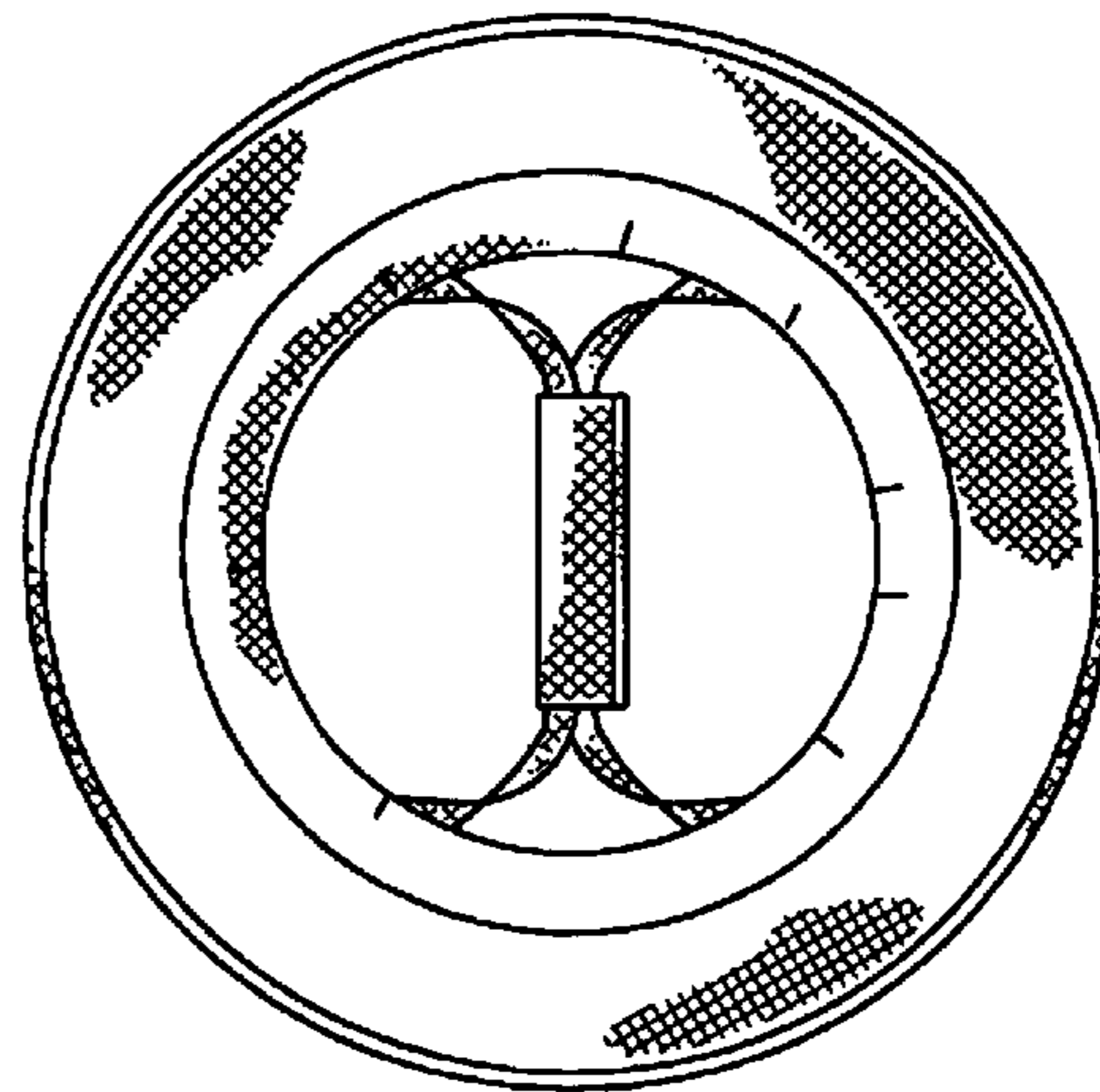


Fig. 5

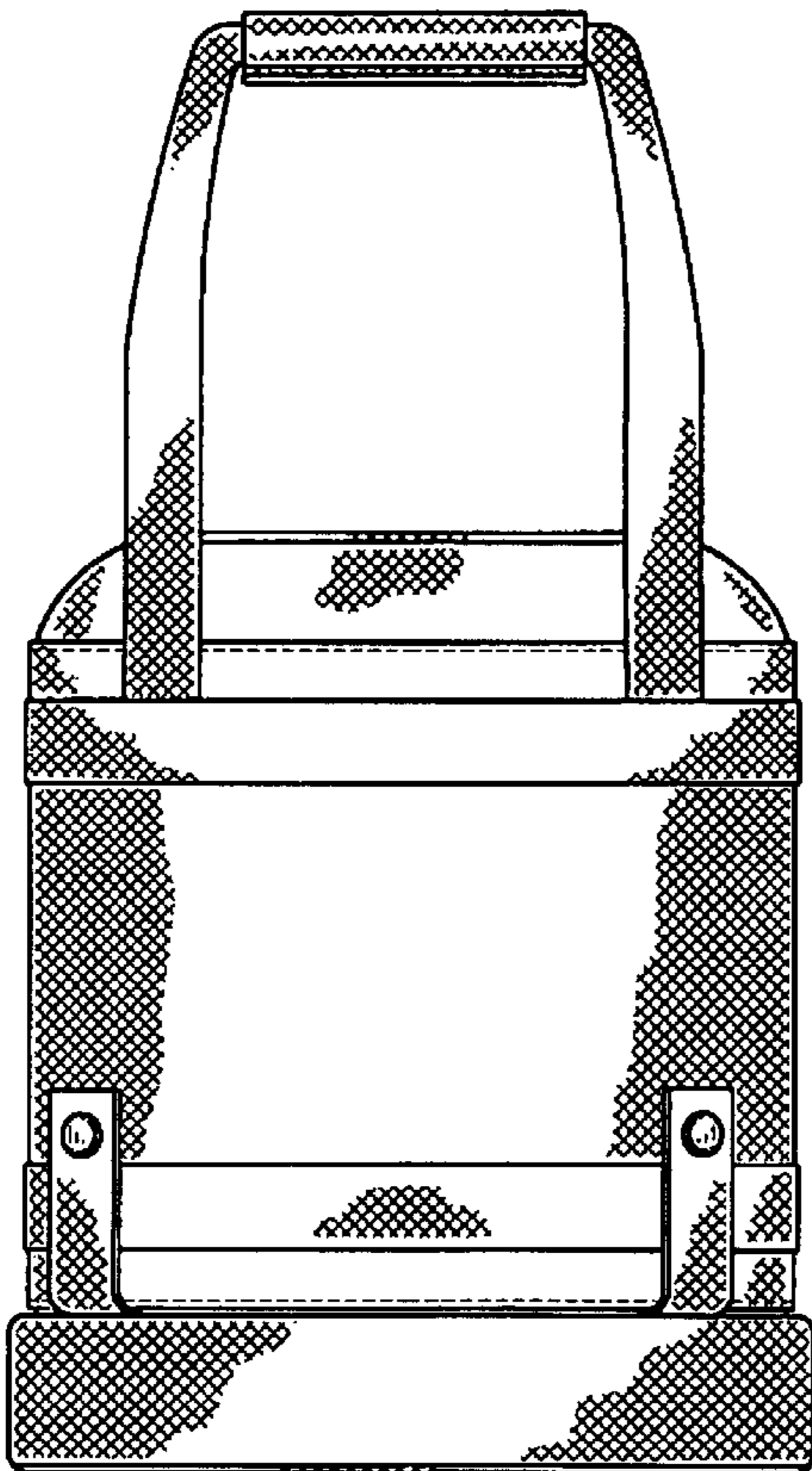


Fig. 6

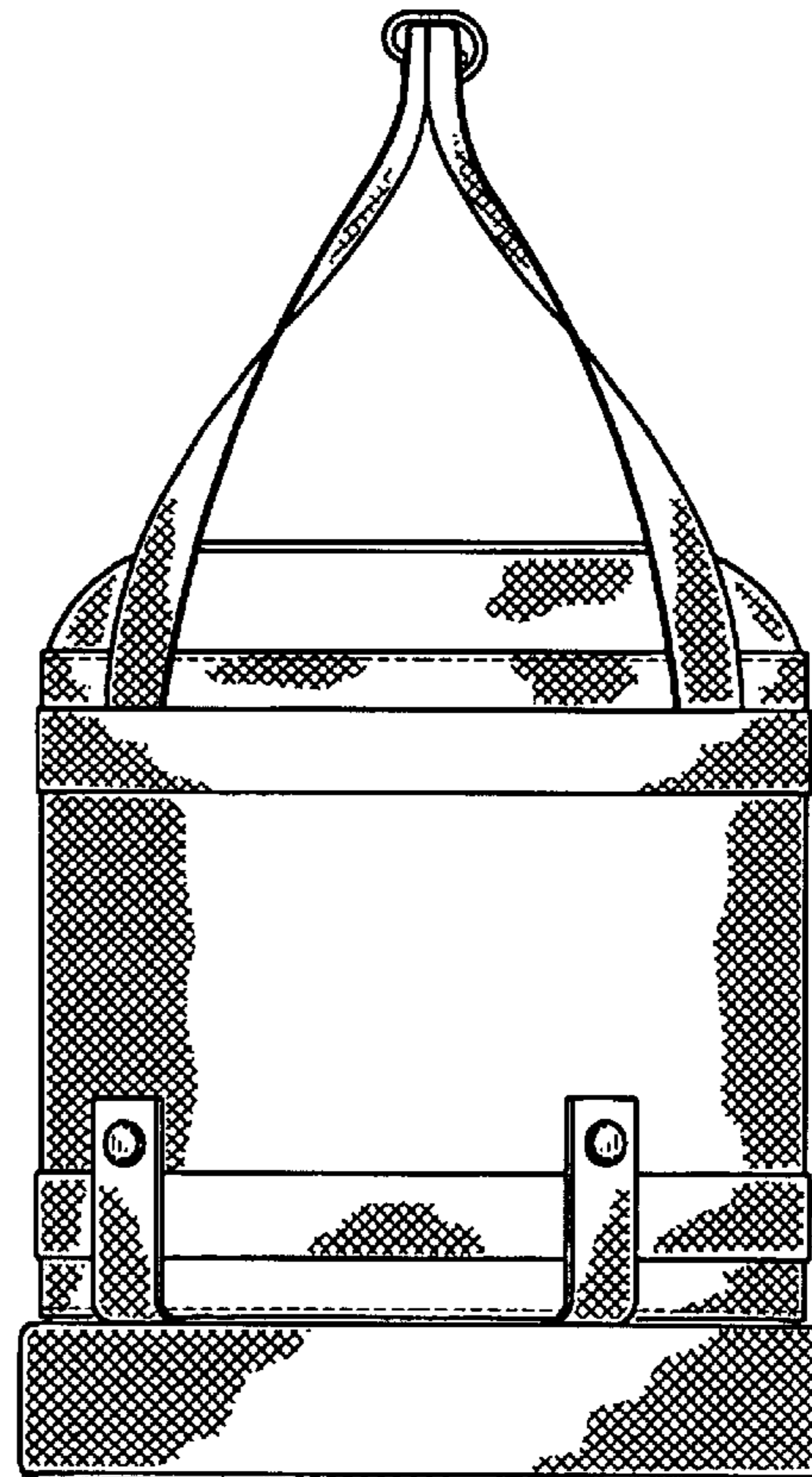


Fig. 7