



US00D536525S

(12) **United States Design Patent**
Vasudeva et al.

(10) **Patent No.:** **US D536,525 S**

(45) **Date of Patent:** **** Feb. 13, 2007**

(54) **DRILL SET CASE**

(75) Inventors: **Kailash Vasudeva**, Waterloo (CA);
Satnam Singh, Kitchener (CA)

(73) Assignee: **Maxtech Manufacturing Inc.**,
Waterloo (CA)

(**) Term: **14 Years**

(21) Appl. No.: **29/221,676**

(22) Filed: **Jan. 21, 2005**

(30) **Foreign Application Priority Data**

Aug. 13, 2004 (CA) 108033

(51) **LOC (8) Cl.** **03-01**

(52) **U.S. Cl.** **D3/282; D3/905**

(58) **Field of Classification Search** D3/273-274,
D3/276, 282-283, 294-297, 901, 904-905;
206/349, 372-373, 376, 379; 312/902

See application file for complete search history.

(56) **References Cited**

U.S. PATENT DOCUMENTS

1,827,929	A	*	10/1931	Bigelow	220/523
D305,809	S	*	1/1990	Weber et al.	D28/76
D315,057	S	*	3/1991	Bridges	D3/295
5,803,254	A	*	9/1998	Vasudeva	206/373
5,887,715	A	*	3/1999	Vasudeva	206/373
6,044,973	A	*	4/2000	Vasudeva	206/372
D434,561	S	*	12/2000	Vasudeva	D3/282
6,283,291	B1	*	9/2001	Vasudeva et al.	206/373
D468,531	S	*	1/2003	Hsu	D3/282
D478,725	S	*	8/2003	Vasudeva et al.	D3/282
6,626,295	B1	*	9/2003	Vasudeva	206/373
D486,643	S	*	2/2004	Singh et al.	D3/282
D495,488	S	*	9/2004	Singh	D3/282
D499,549	S	*	12/2004	Rosler	D3/282
D508,773	S	*	8/2005	Singh	D3/282

D509,958	S	*	9/2005	Singh	D3/282
D511,040	S	*	11/2005	Barrios et al.	D3/282
D512,221	S	*	12/2005	Allan et al.	D3/282
D513,873	S	*	1/2006	Bochno et al.	D3/294
D514,316	S	*	2/2006	Allan et al.	D3/282
D517,317	S	*	3/2006	Singh	D3/282
D524,048	S	*	7/2006	Singh et al.	D3/282
2005/0051445	A1	*	3/2005	Meehan et al.	206/372
2005/0161357	A1	*	7/2005	Allan et al.	206/373
2006/0169613	A1	*	8/2006	Roesler	206/379
2006/0169614	A1	*	8/2006	Roesler	206/379

* cited by examiner

Primary Examiner—Philip S. Hyder

Assistant Examiner—RoseLynne (Ulm) Cody

(74) *Attorney, Agent, or Firm*—R. Craig Armstrong;
Borden Ladner Gervais LLP

(57) **CLAIM**

We claim the ornamental design for a drill set case, as shown and described.

DESCRIPTION

FIG. 1 is a front perspective view of the drill set case.

FIG. 2 is a rear perspective view of the drill set case.

FIG. 3 is a top view.

FIG. 4 is a side view.

FIG. 5 is a front view.

FIG. 6 is a rear view.

FIG. 7 is a side view.

FIG. 8 is a bottom view.

FIG. 9 is a front perspective view with the drill set case open.

FIG. 10 is a rear perspective view with the drill set case open.

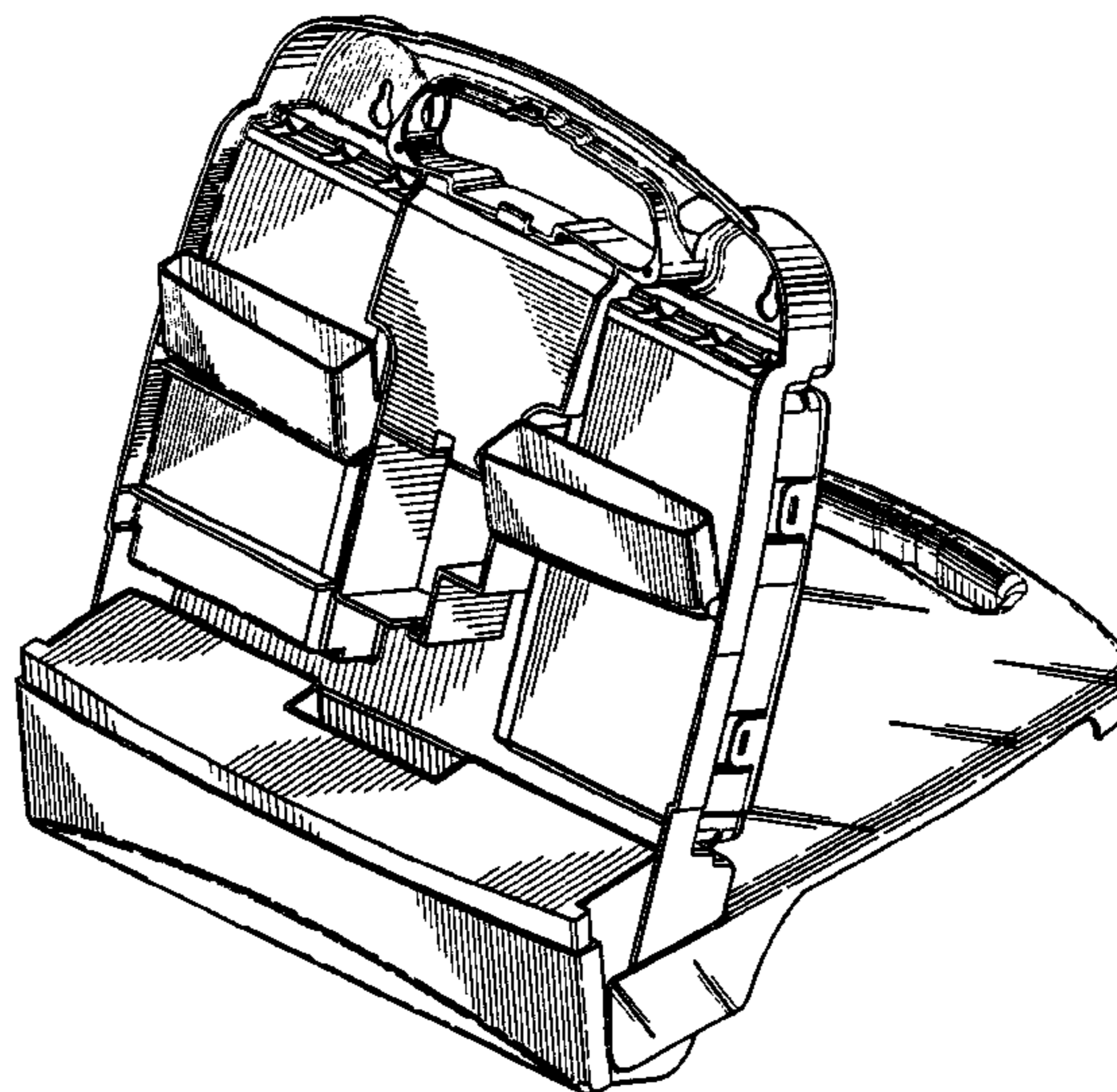
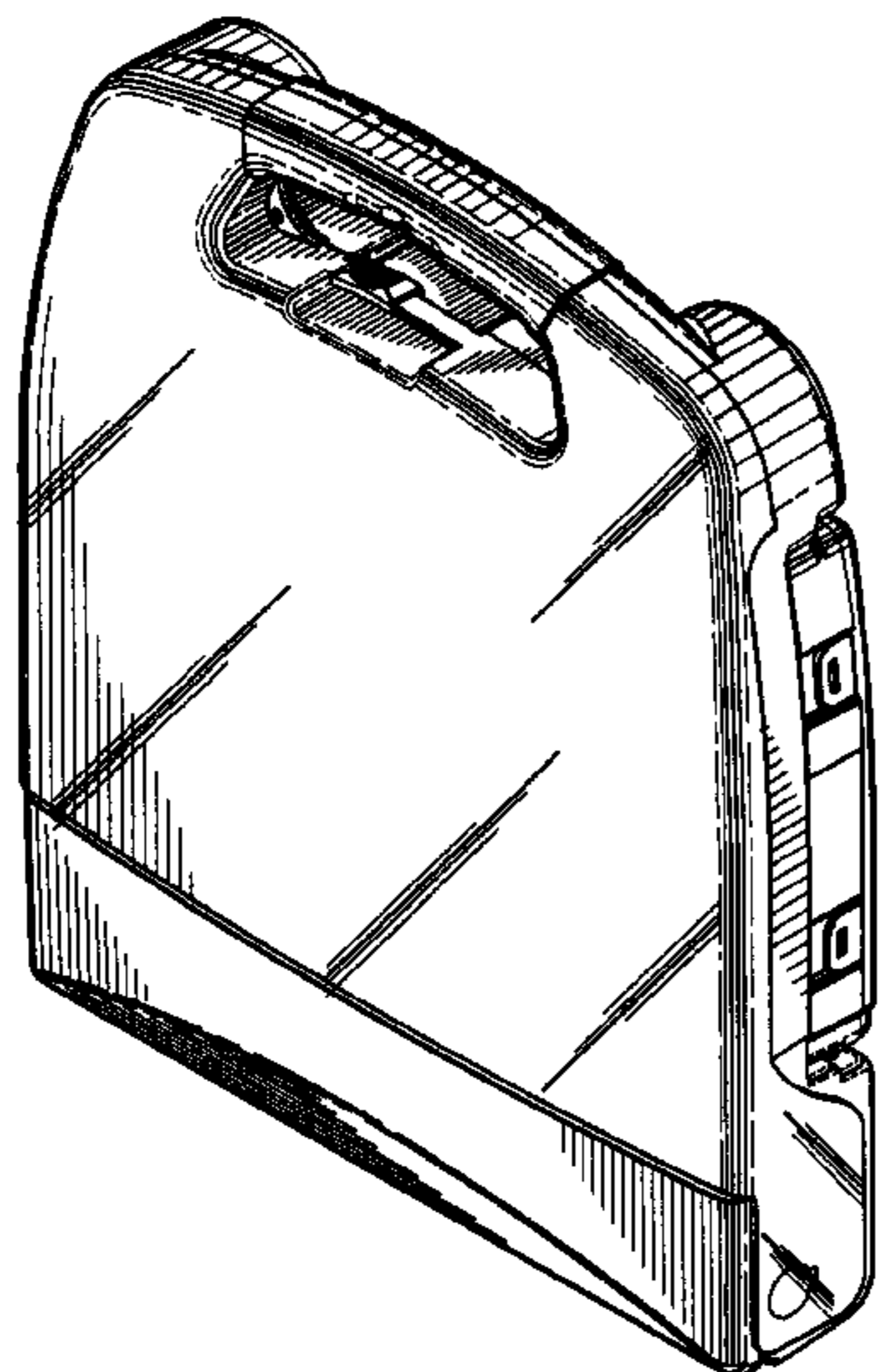
FIG. 11 is a top view with the drill set case open.

FIG. 12 is a front view with the drill set case open.

FIG. 13 is a rear view with the drill set case open; and,

FIG. 14 is a left hand side view with the drill set case open.

1 Claim, 6 Drawing Sheets



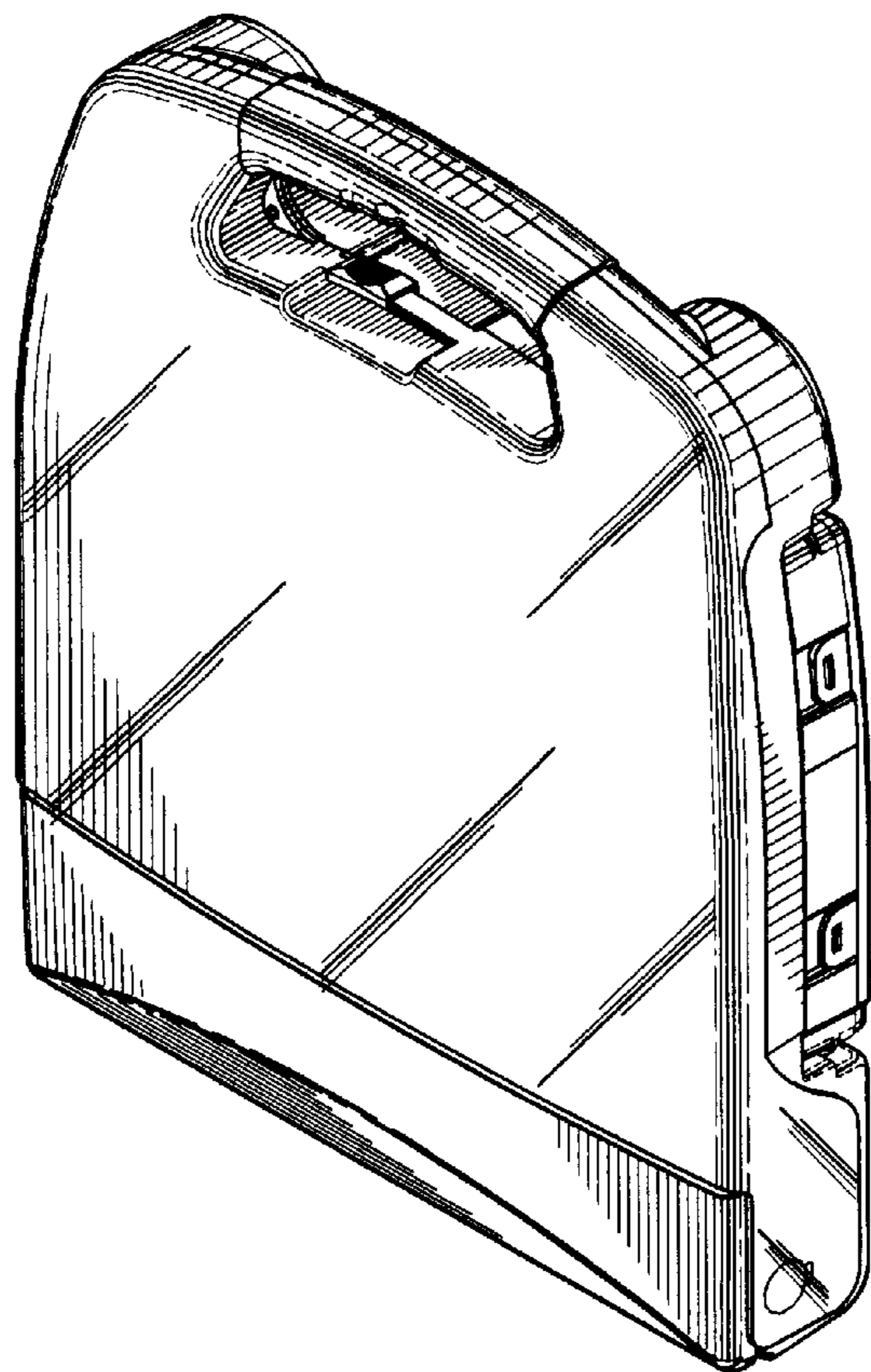


FIG. 1

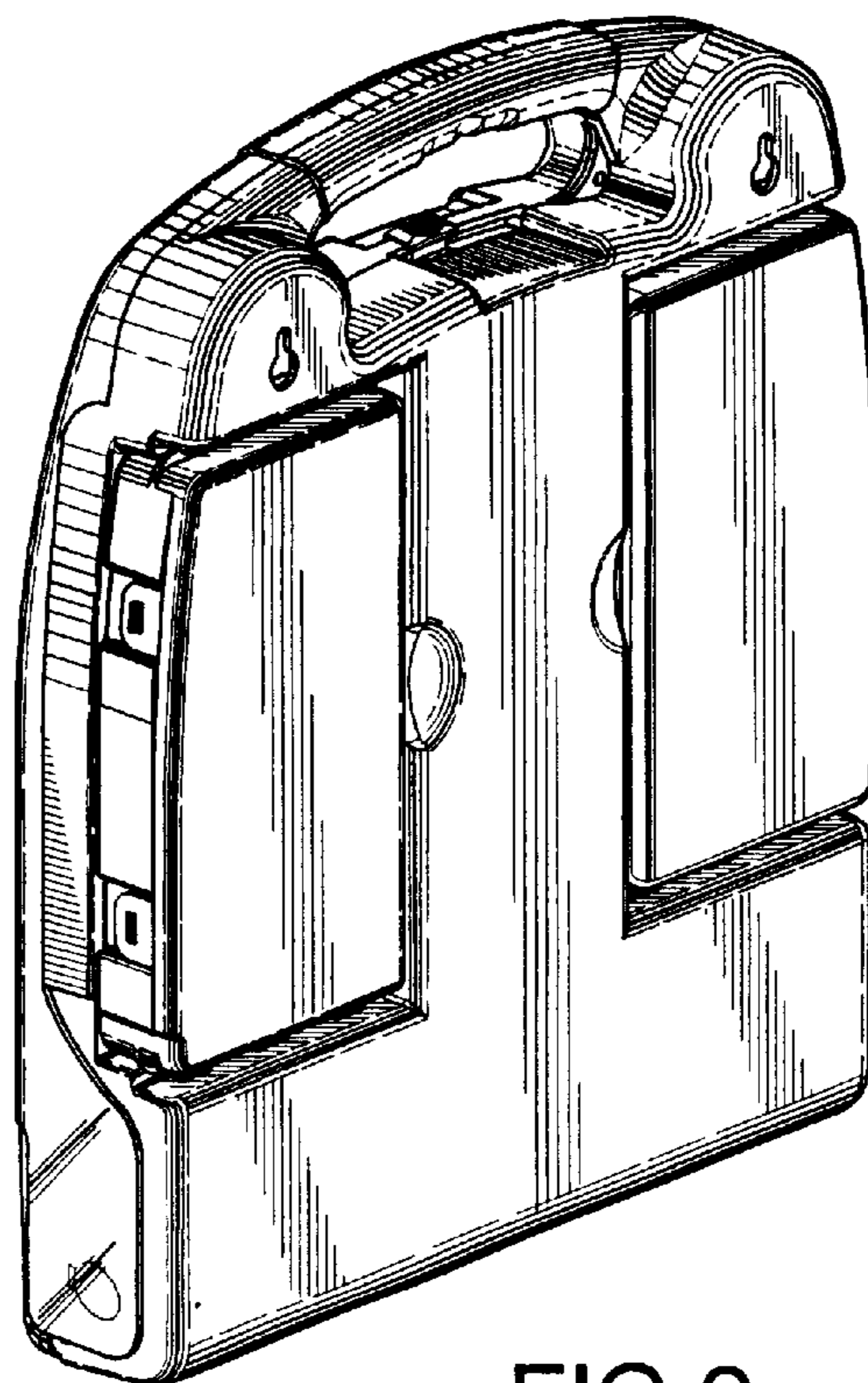


FIG. 2

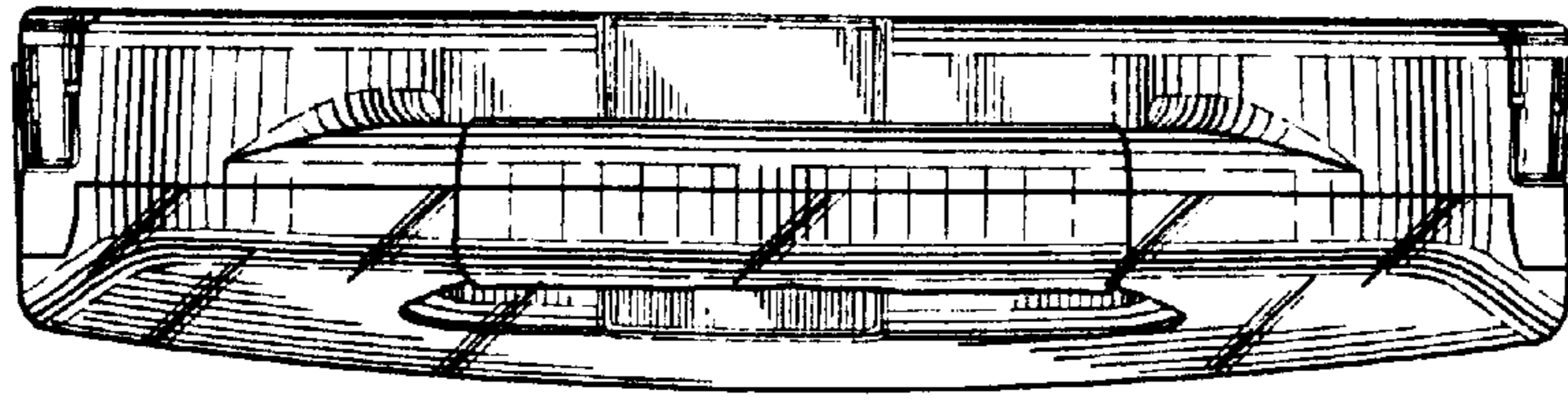


FIG.3

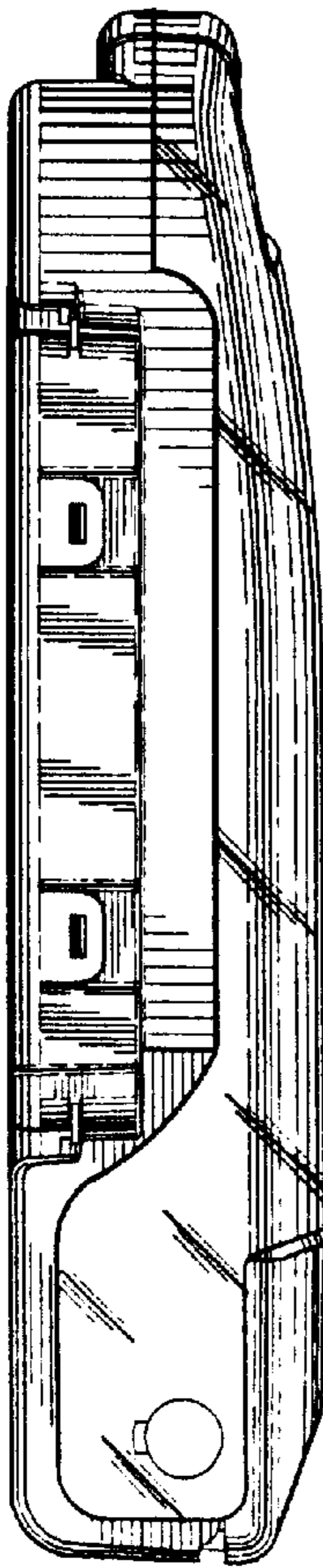


FIG.4

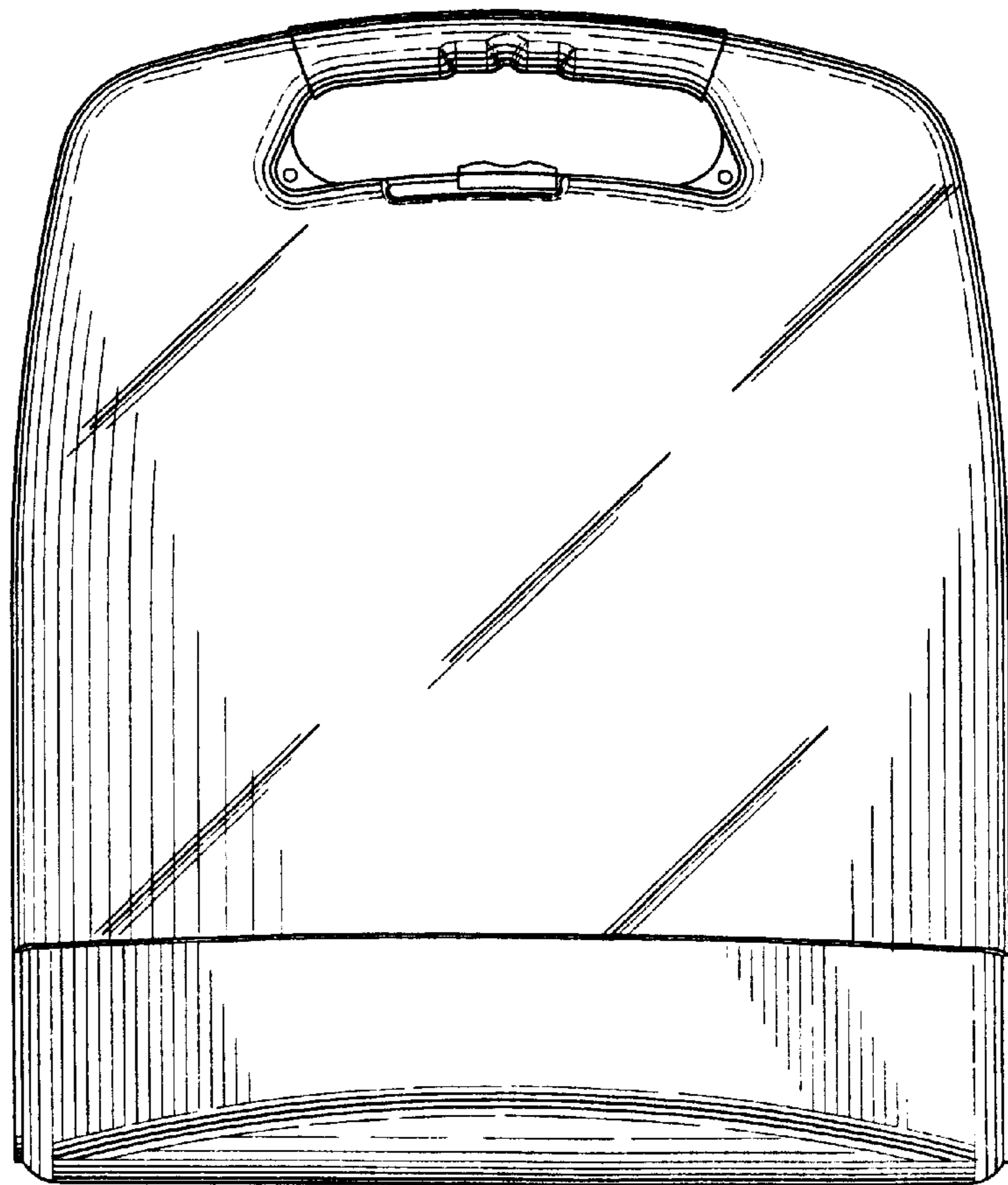


FIG.5

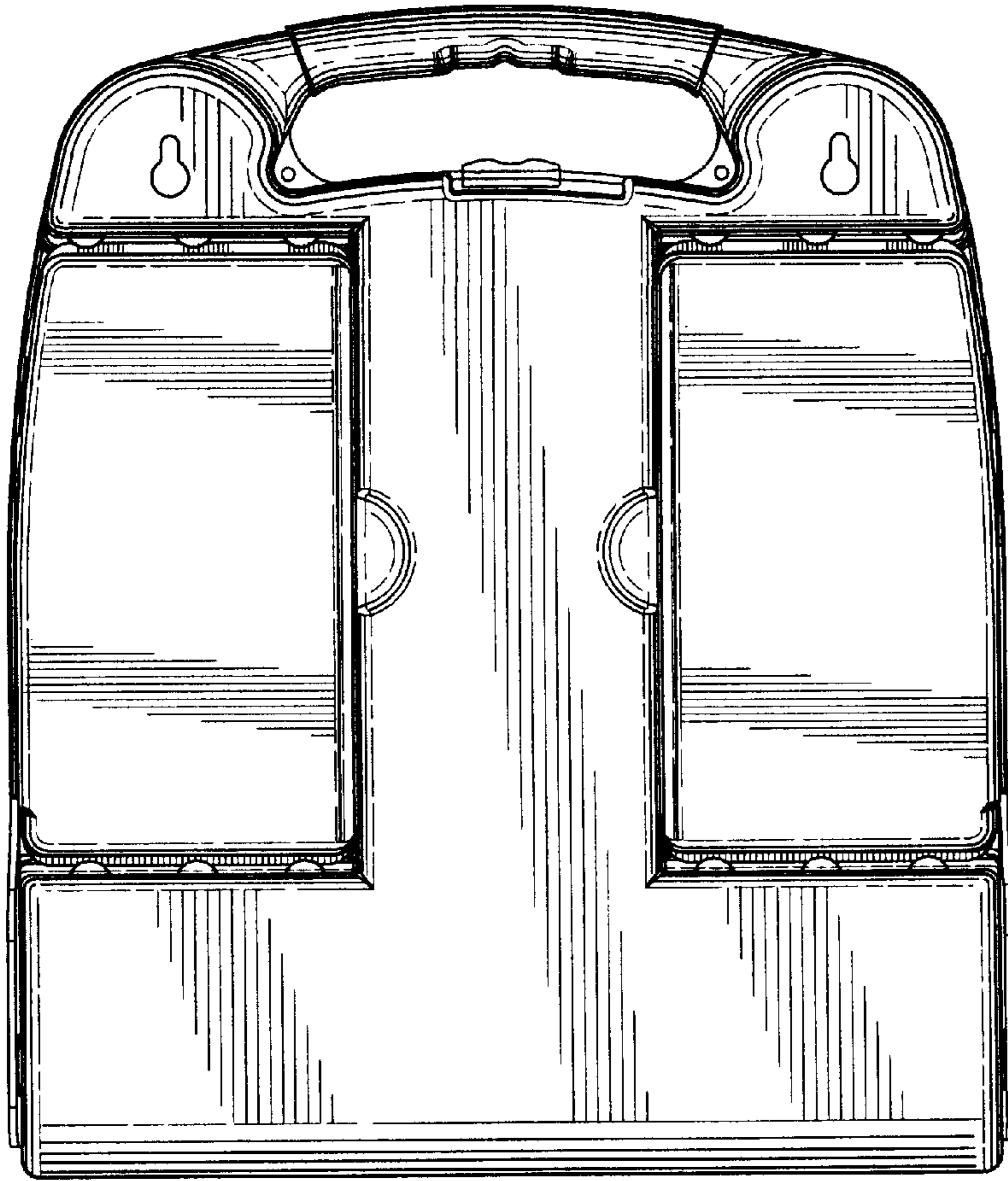


FIG. 6

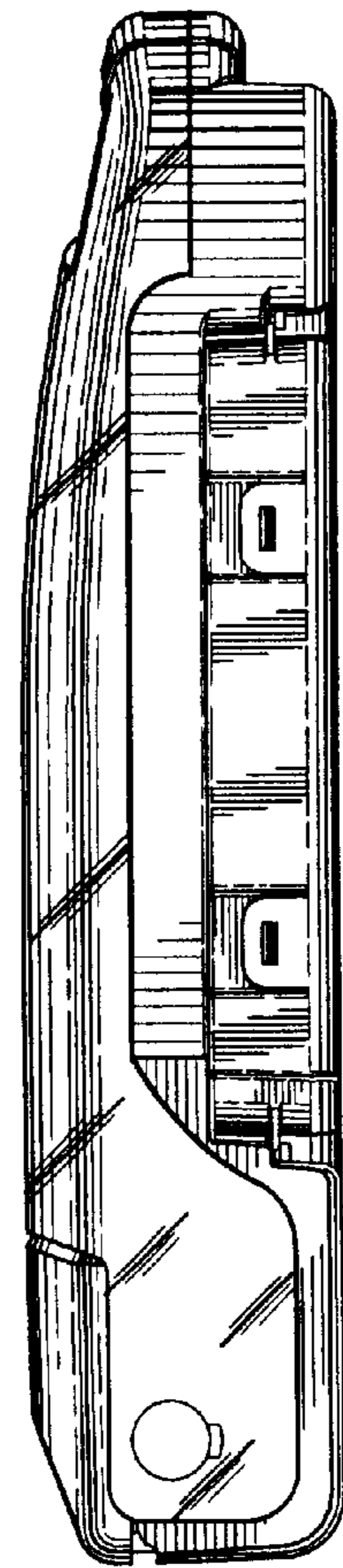


FIG. 7

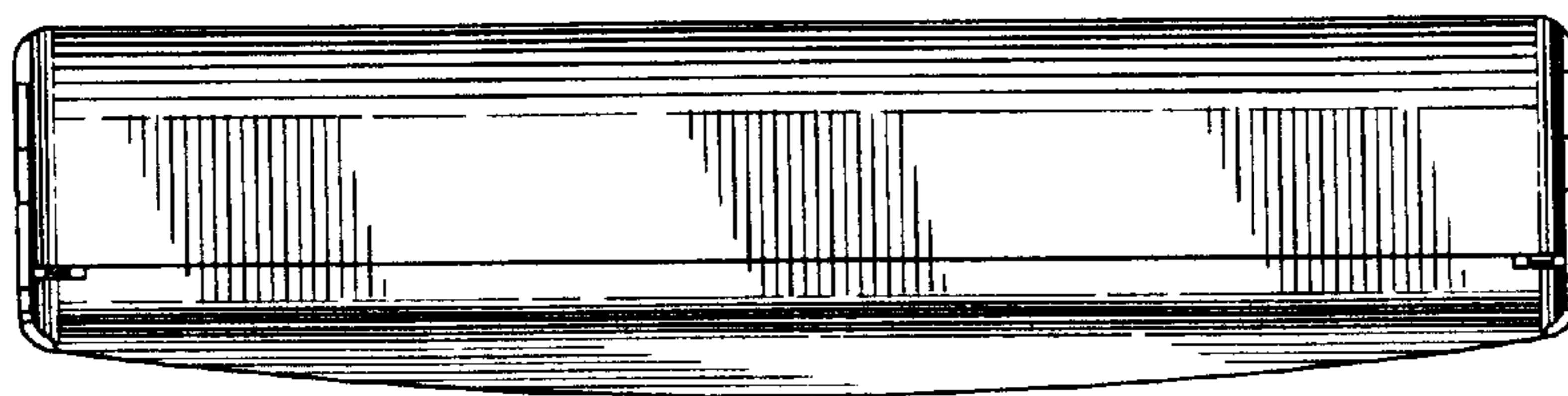


FIG. 8

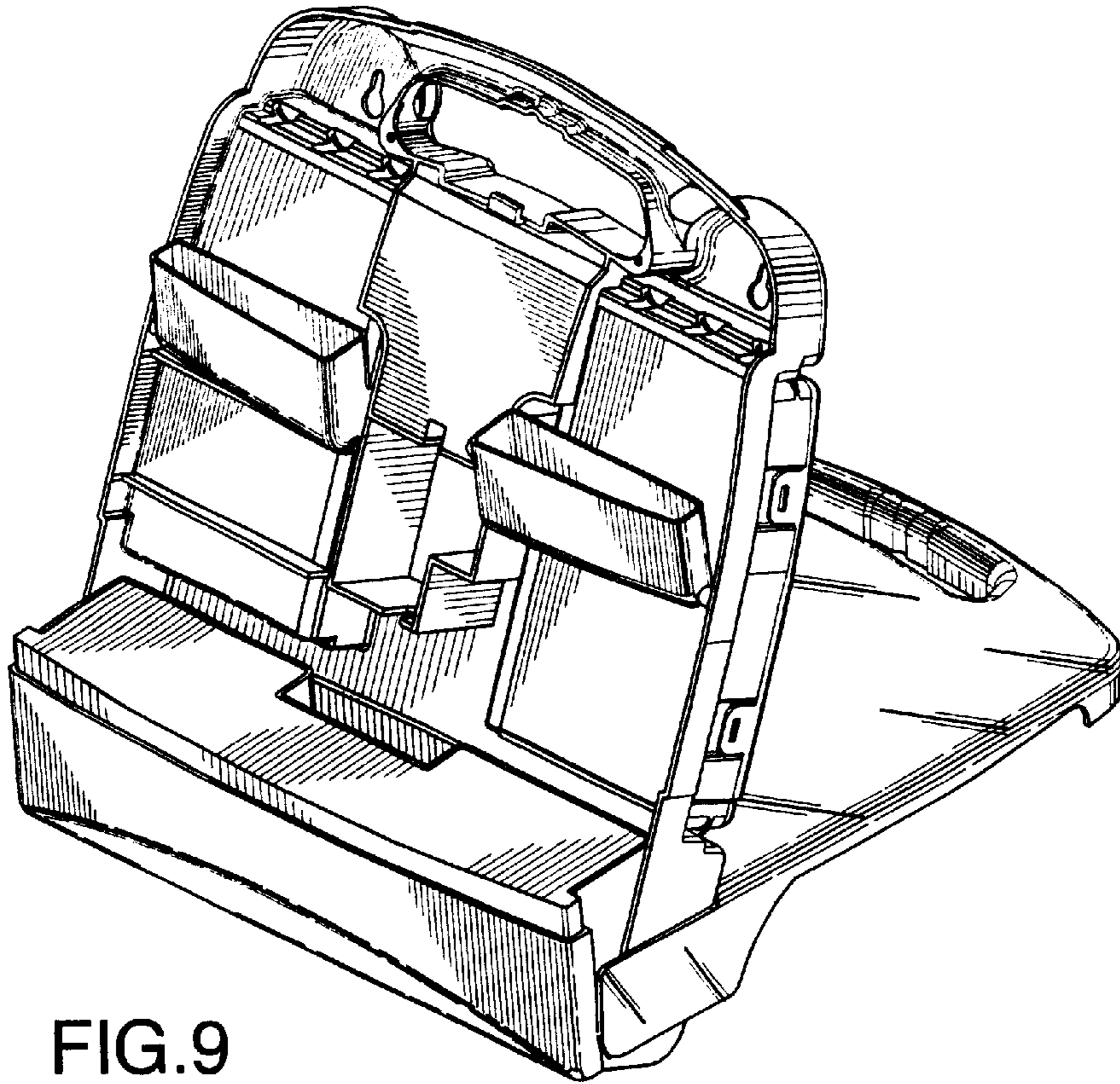


FIG. 9

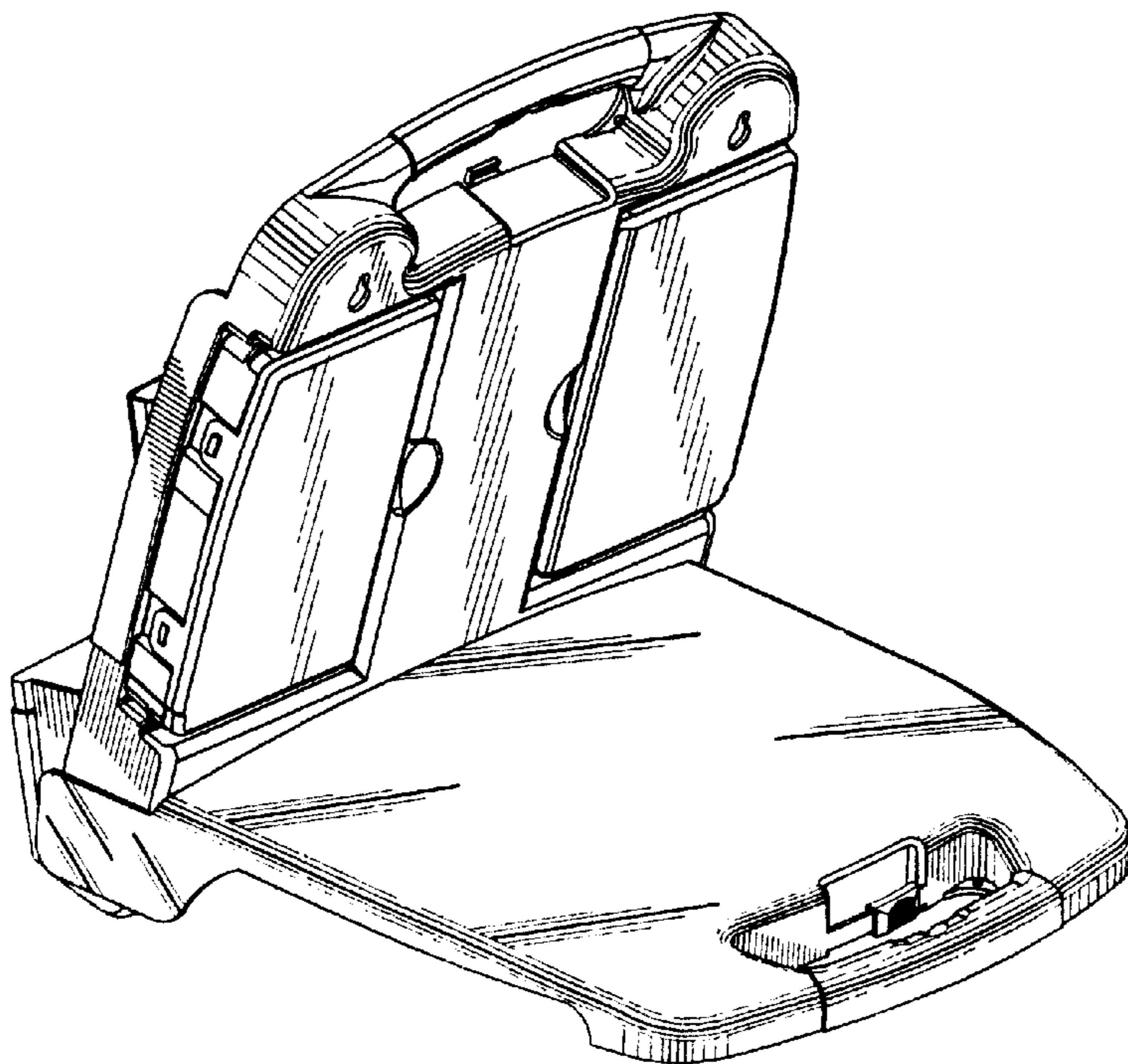


FIG. 10

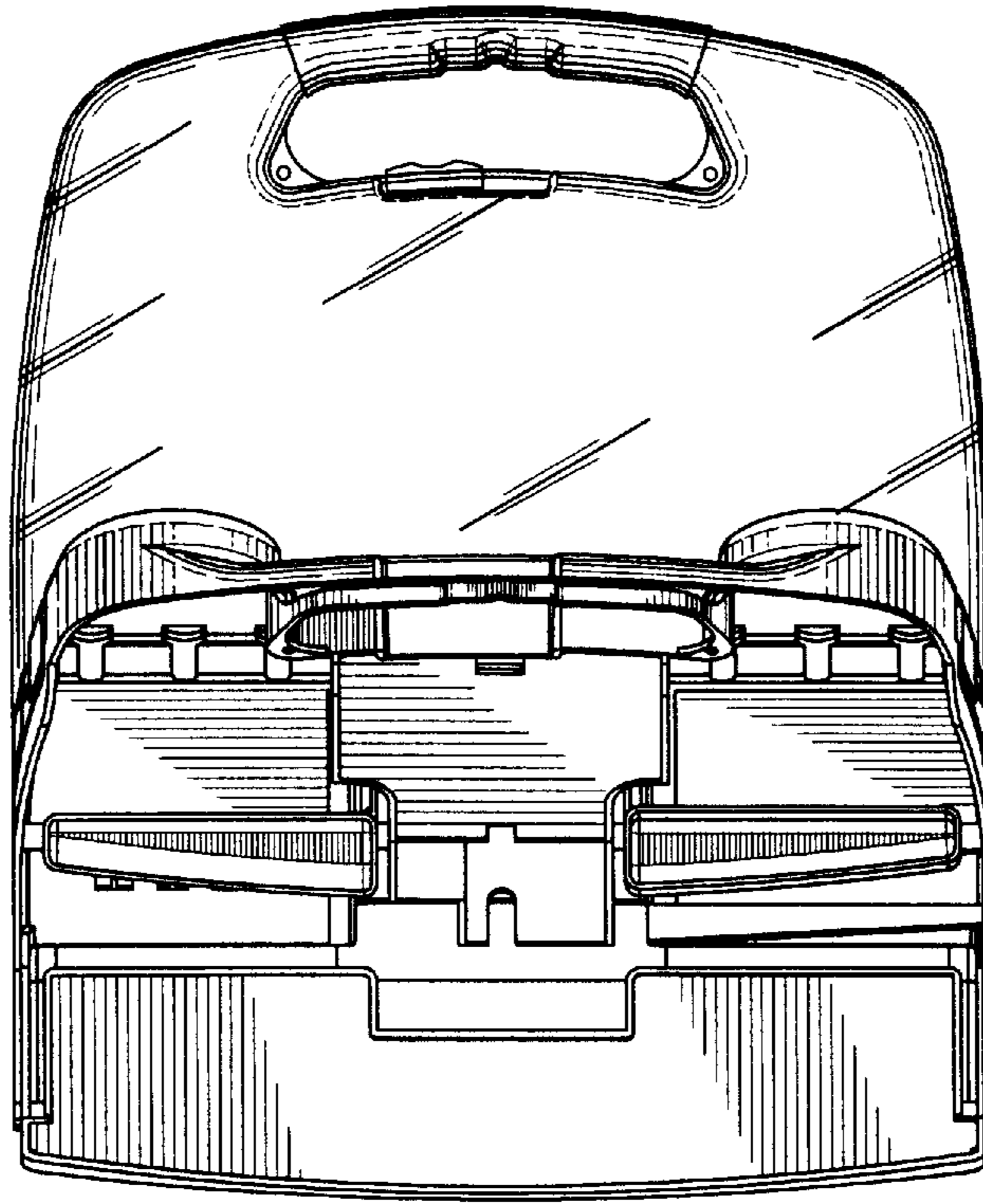


FIG. 11

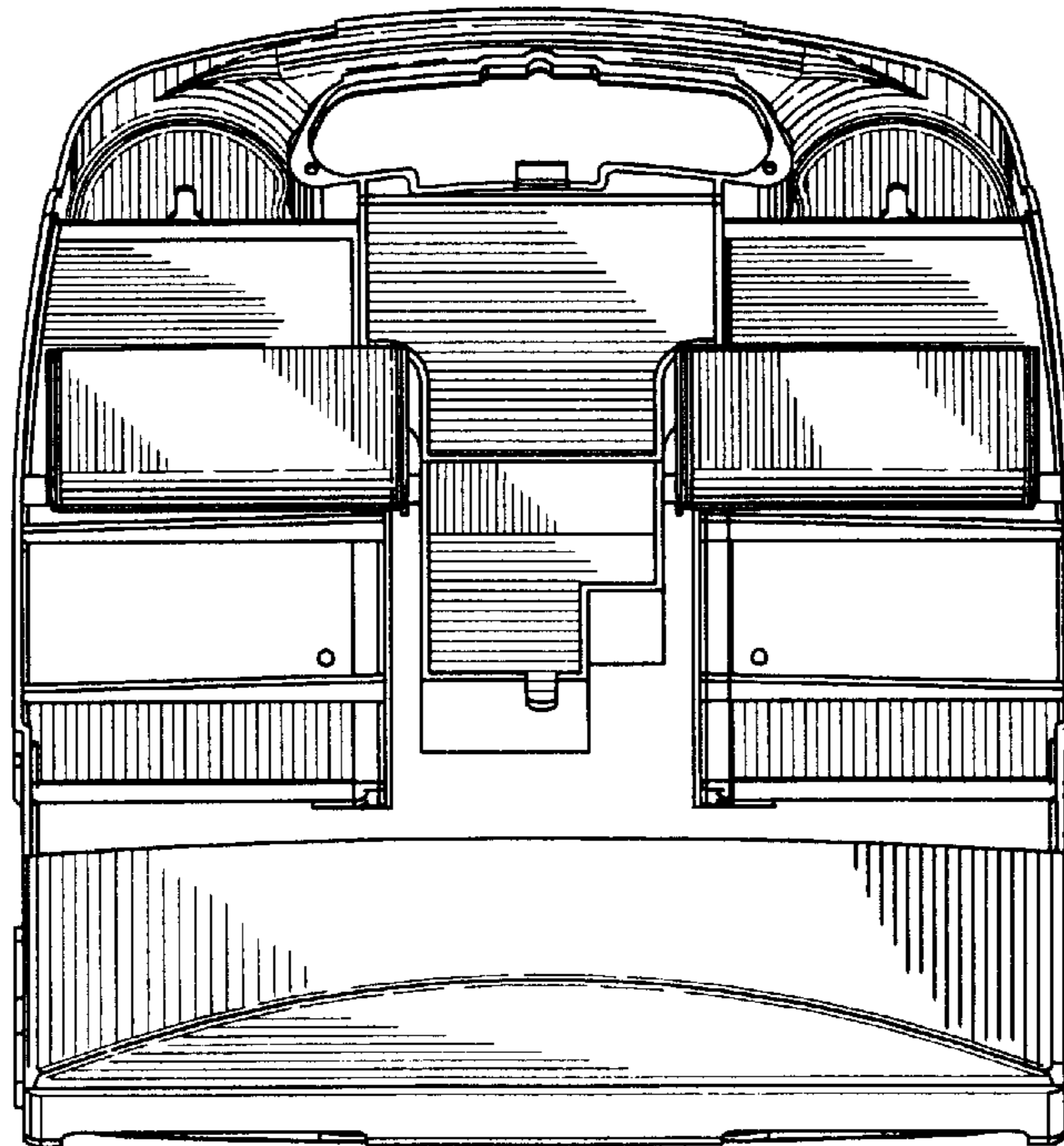


FIG. 12

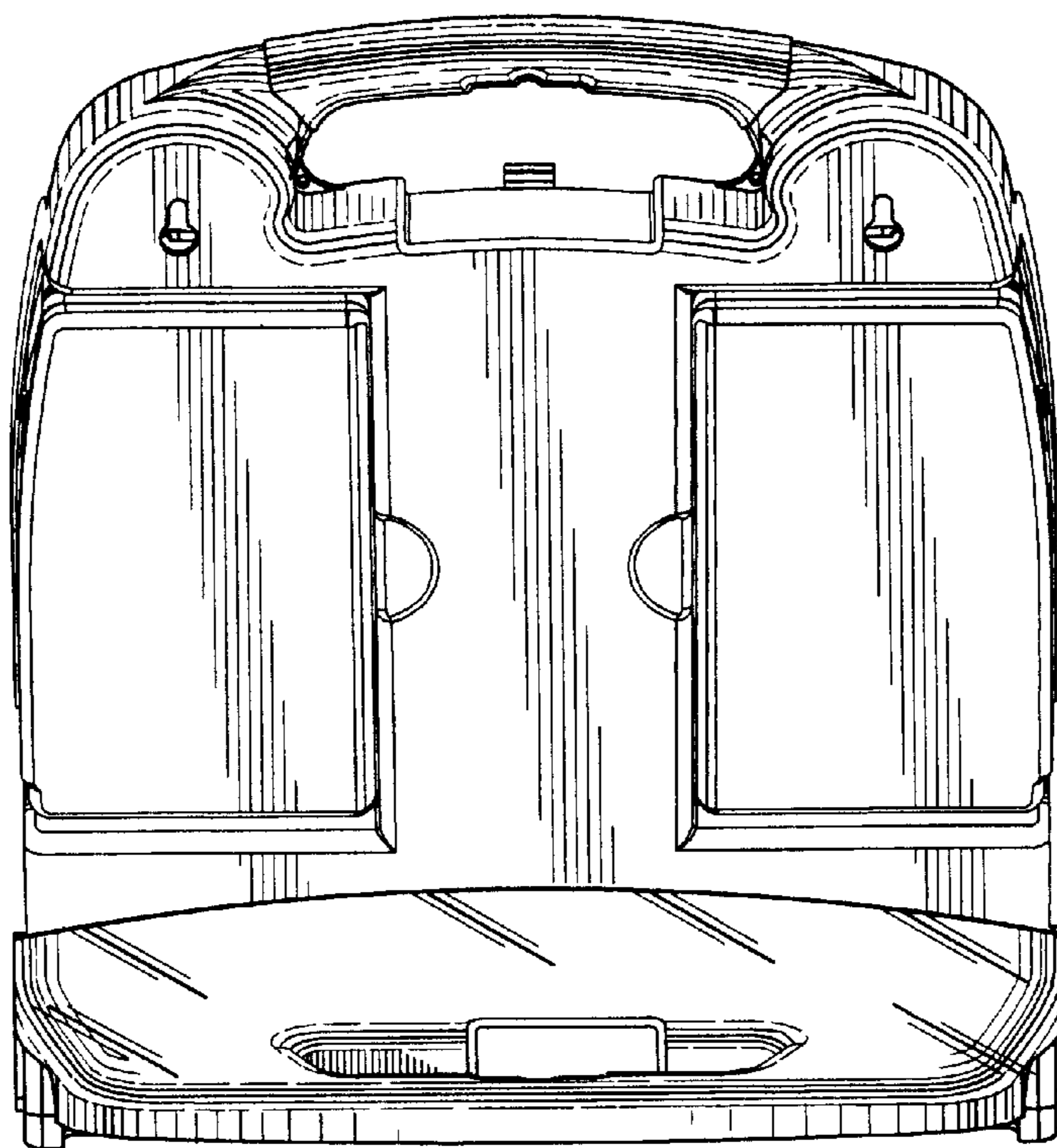


FIG. 13

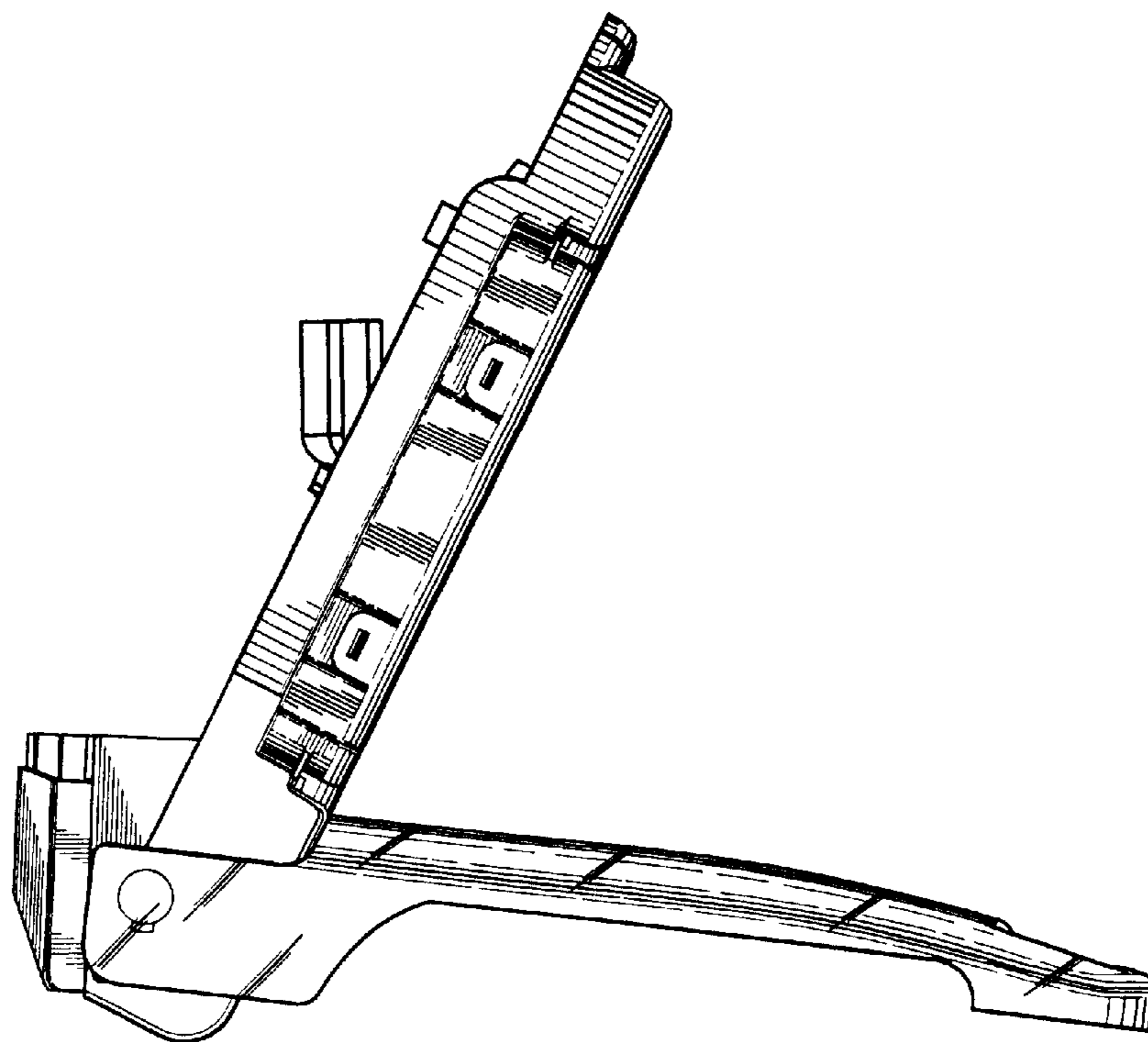


FIG. 14