



US00D536524S

(12) **United States Design Patent**
Takeuchi

(10) **Patent No.:** **US D536,524 S**

(45) **Date of Patent:** **** Feb. 13, 2007**

(54) **CASE FOR MEMORY CARDS**

(75) Inventor: **Naoyuki Takeuchi**, Toyonaka (JP)

(73) Assignee: **Tanner Technological Laboratories Inc.**, Osaka (JP)

(**) Term: **14 Years**

(21) Appl. No.: **29/226,281**

(22) Filed: **Mar. 29, 2005**

(30) **Foreign Application Priority Data**

Feb. 14, 2005 (JP) D2005-003688

(51) **LOC (8) Cl.** **03-01**

(52) **U.S. Cl.** **D3/247**

(58) **Field of Classification Search** D3/247,
D3/248, 249, 250, 251, 252, 253; 150/131,
150/132, 136, 137, 140, 141, 142, 143, 145,
150/146, 147, 148, 149, 150, 151, 152, 153;
190/903; 206/37, 37.1, 37.4, 37.7, 38, 38.1,
206/39.7, 214, 425, 810, 811

See application file for complete search history.

(56) **References Cited**

U.S. PATENT DOCUMENTS

1,193,771 A * 8/1916 Evans 150/152
D132,695 S * 6/1942 Behrman D3/249

2,871,901 A * 2/1959 Nash 150/143
4,796,750 A * 1/1989 Inghram 150/131
5,769,213 A * 6/1998 Chatterton 150/147
6,301,098 B1 * 10/2001 Kim 190/100

* cited by examiner

Primary Examiner—Louis S. Zarfes

Assistant Examiner—Monica A. Weingart

(74) *Attorney, Agent, or Firm*—Armstrong, Kratz, Quintos,
Hanson & Brooks, LLP

(57) **CLAIM**

The ornamental design for a case for memory cards, as shown and described.

DESCRIPTION

FIG. 1 is a front elevational view of a case for memory cards showing my new design;

FIG. 2 is a rear elevational view thereof;

FIG. 3 is a left side elevational view thereof;

FIG. 4 is a right side elevational view thereof

FIG. 5 is a top plan view thereof;

FIG. 6 is a bottom plan view thereof;

FIG. 7 is a cross-sectional line view taken along the line 7—7 of FIG. 1;

FIG. 8 is front perspective view thereof; and,

FIG. 9 is a perspective view in the closed position thereof.

1 Claim, 4 Drawing Sheets

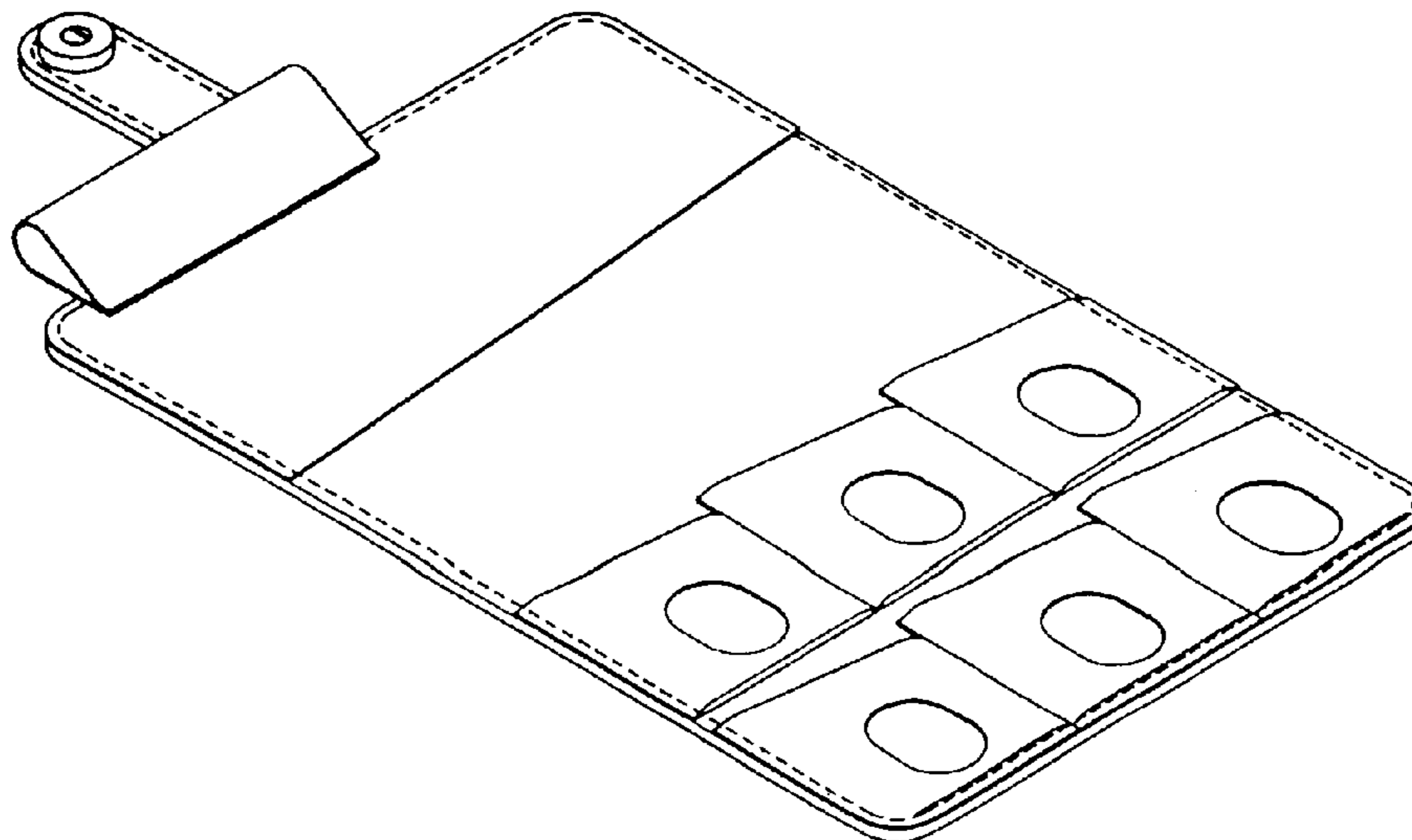


FIG. 1

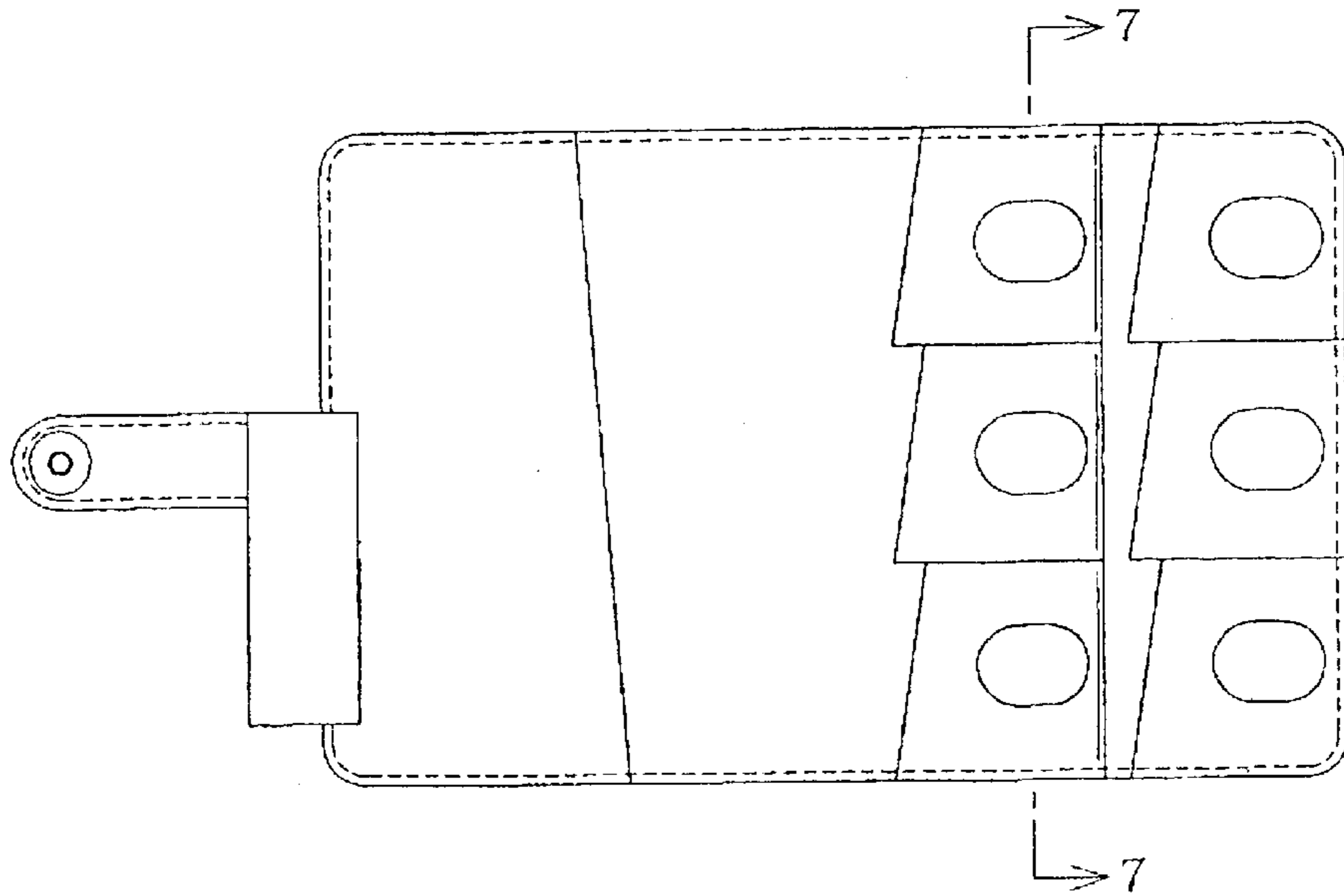


FIG. 2

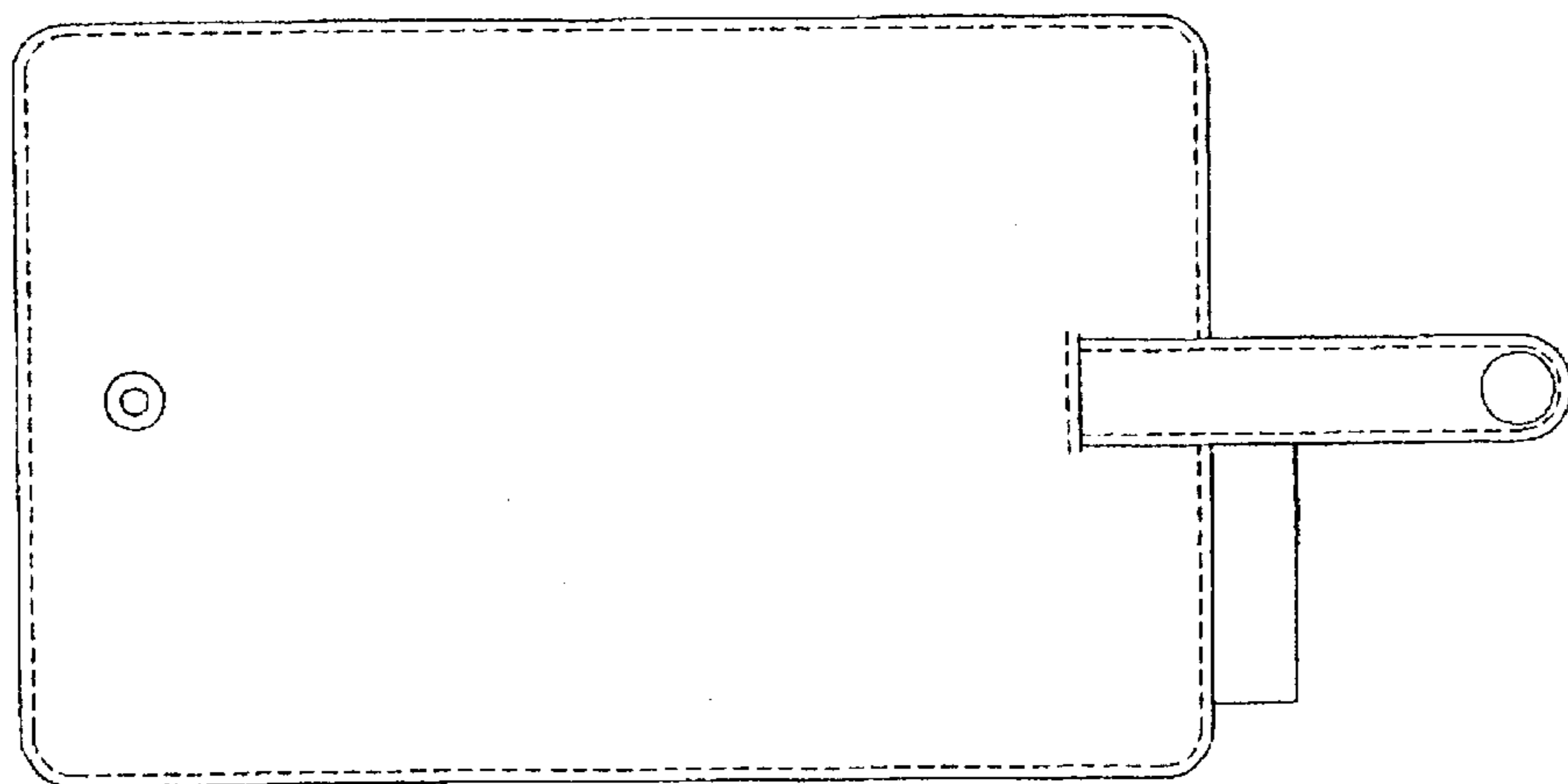


FIG. 3

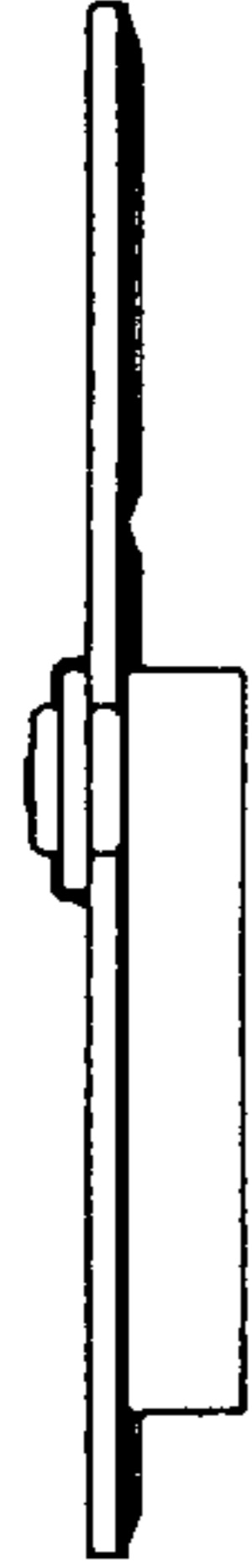


FIG. 4

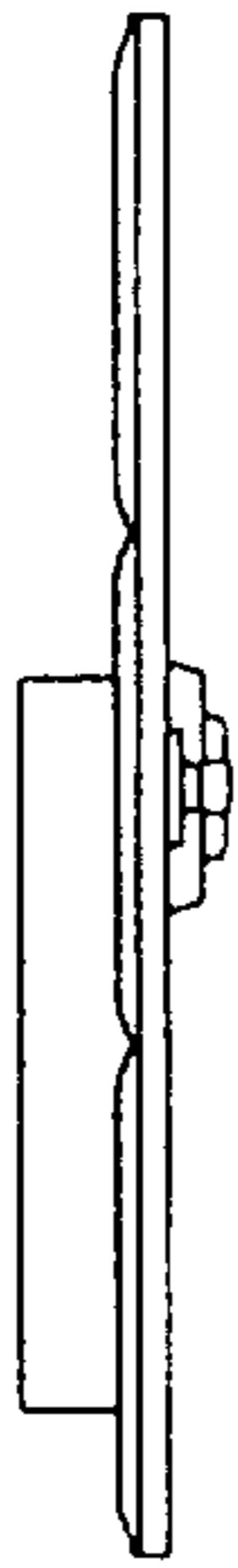


FIG. 5

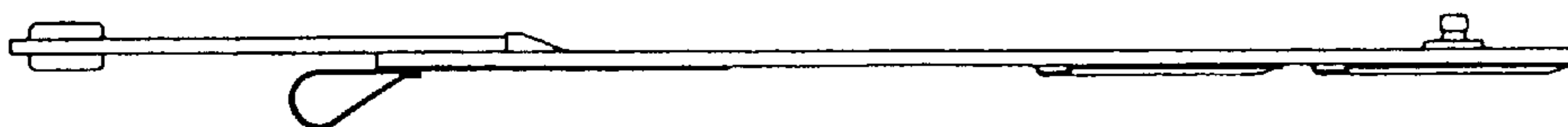


FIG. 6

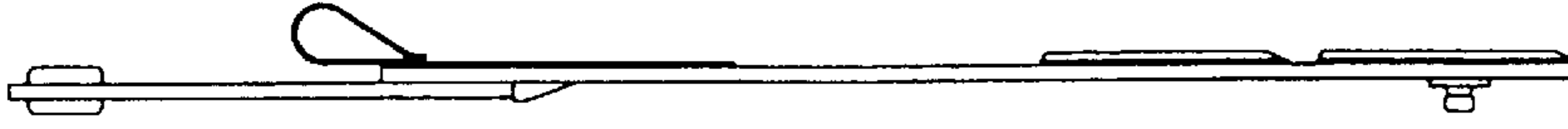


FIG. 7



FIG. 8

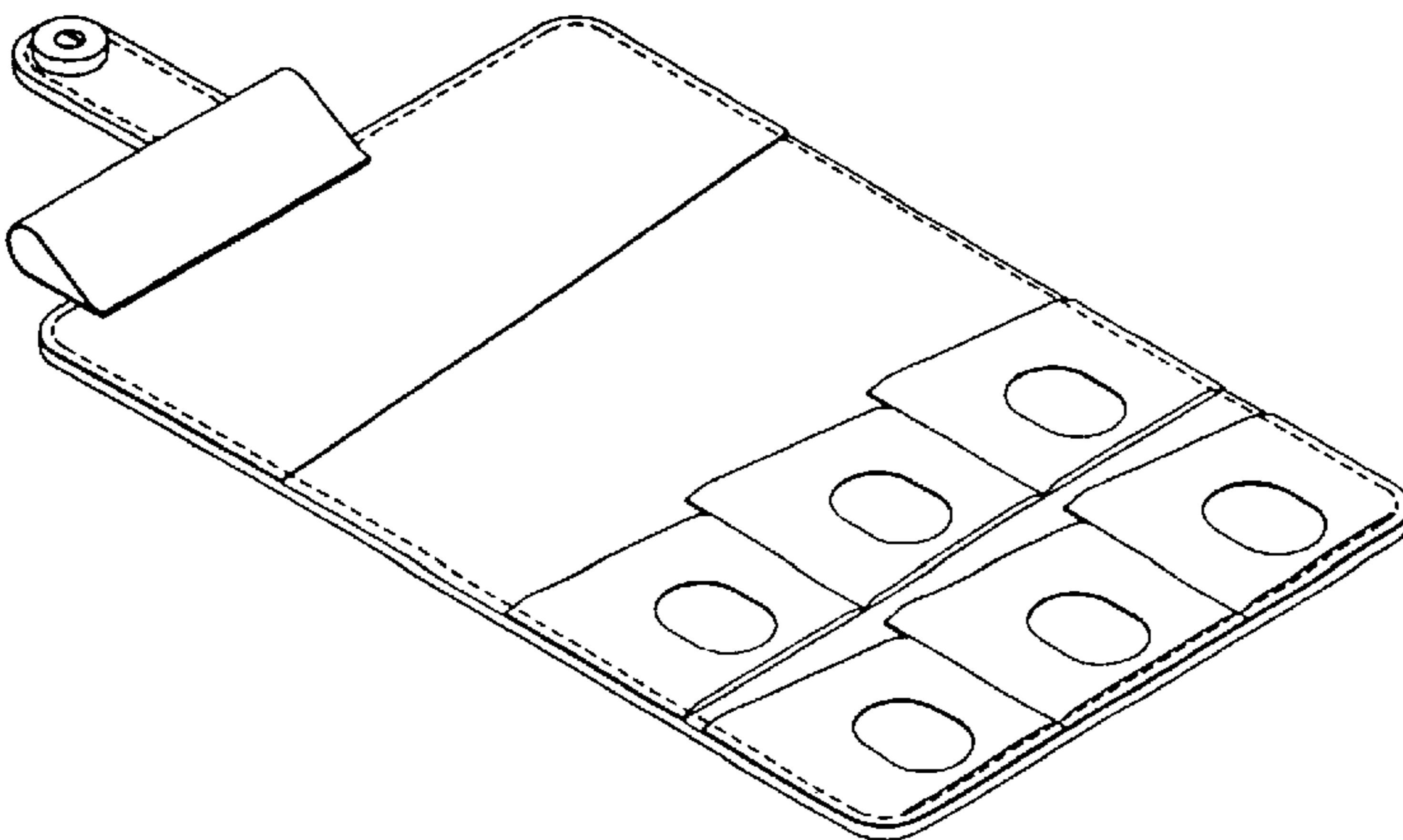


FIG.9

