



US00D536518S

(12) **United States Design Patent**  
**Gallegos**

(10) **Patent No.:** **US D536,518 S**

(45) **Date of Patent:** **\*\* Feb. 13, 2007**

(54) **PAIR OF FOOTWEAR INSOLES**

(76) Inventor: **Alvaro Z. Gallegos**, 6932 4th St. NW.,  
Albuquerque, NM (US) 87107

(\*\*) Term: **14 Years**

(21) Appl. No.: **29/231,576**

(22) Filed: **Jun. 7, 2005**

(51) **LOC (8) Cl.** ..... **02-99**

(52) **U.S. Cl.** ..... **D2/961**

(58) **Field of Classification Search** ..... D2/946,  
D2/961; 36/88, 91, 92, 43-45, 55, 71  
See application file for complete search history.

(56) **References Cited**

**U.S. PATENT DOCUMENTS**

1,208,638	A	*	12/1916	Phillips	.....	36/44
2,080,320	A		5/1937	Knapp		
2,537,156	A	*	1/1951	Pennell	.....	36/43
4,503,576	A	*	3/1985	Brown	.....	36/43
4,550,511	A		11/1985	Gamm		
4,603,698	A		8/1986	Guttman Cherniak		
4,813,157	A		3/1989	Boisvert		
D324,761	S		3/1992	Soo-Kwan		
D362,956	S		10/1995	Martin		
D366,353	S	*	1/1996	Famolare, Jr.	.....	D2/961
D399,042	S		10/1998	Strawser		
D411,759	S		7/1999	Byrd		
5,935,671	A	*	8/1999	Lhuillier	.....	36/43
D420,788	S		2/2000	Kitagawa		
2002/0178614	A1		12/2002	Issler		

\* cited by examiner

*Primary Examiner*—Dominic Simone

(74) *Attorney, Agent, or Firm*—Shirley Kopecky

(57) **CLAIM**

The ornamental design of a pair of footwear insoles, as shown and described.

**DESCRIPTION**

FIG. 1 is a top, front and right perspective view of a footwear insole for a right foot showing my new design;

FIG. 2 is a top plan view of a footwear insole for a right foot;

FIG. 2A is a front elevational view thereof;

FIG. 2B is a rear elevational view thereof;

FIG. 3 is a bottom plan view thereof;

FIG. 4 is a top plan view of the rearward flap of the insole for a right foot.

FIG. 4A is a sectional view along the line A—A in FIG. 4;

FIG. 5 is a top plan view of the forward flap of the insole for a right foot.

FIG. 5A is a sectional view along the line A—A in FIG. 5;

FIG. 6 is a side elevational view a footwear insole for a right foot seen from the arch support side;

FIG. 7 is a side elevational view of a footwear insole for a right foot seen from the side opposite the arch support;

FIG. 8 is a right side perspective view thereof during use;

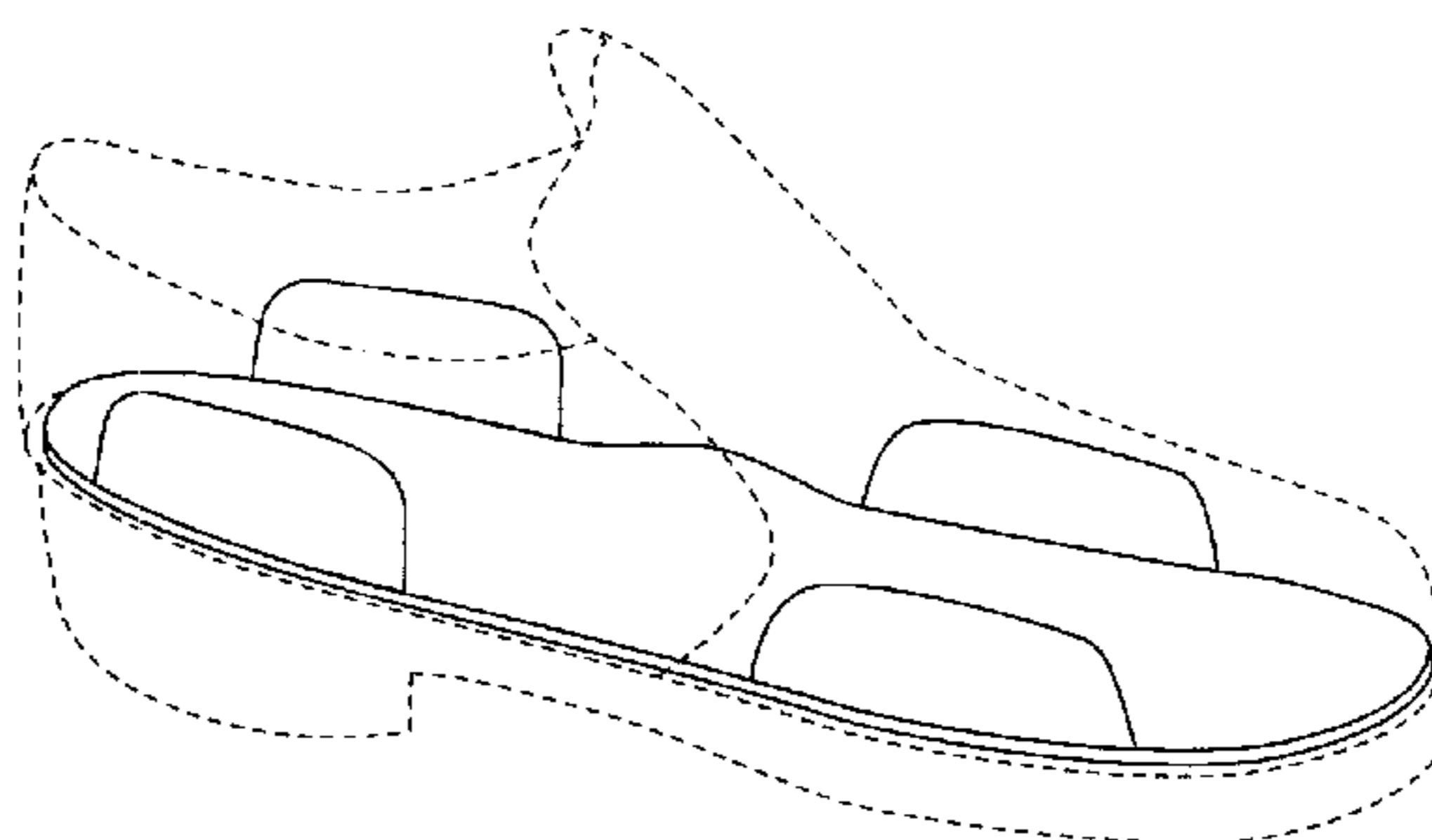
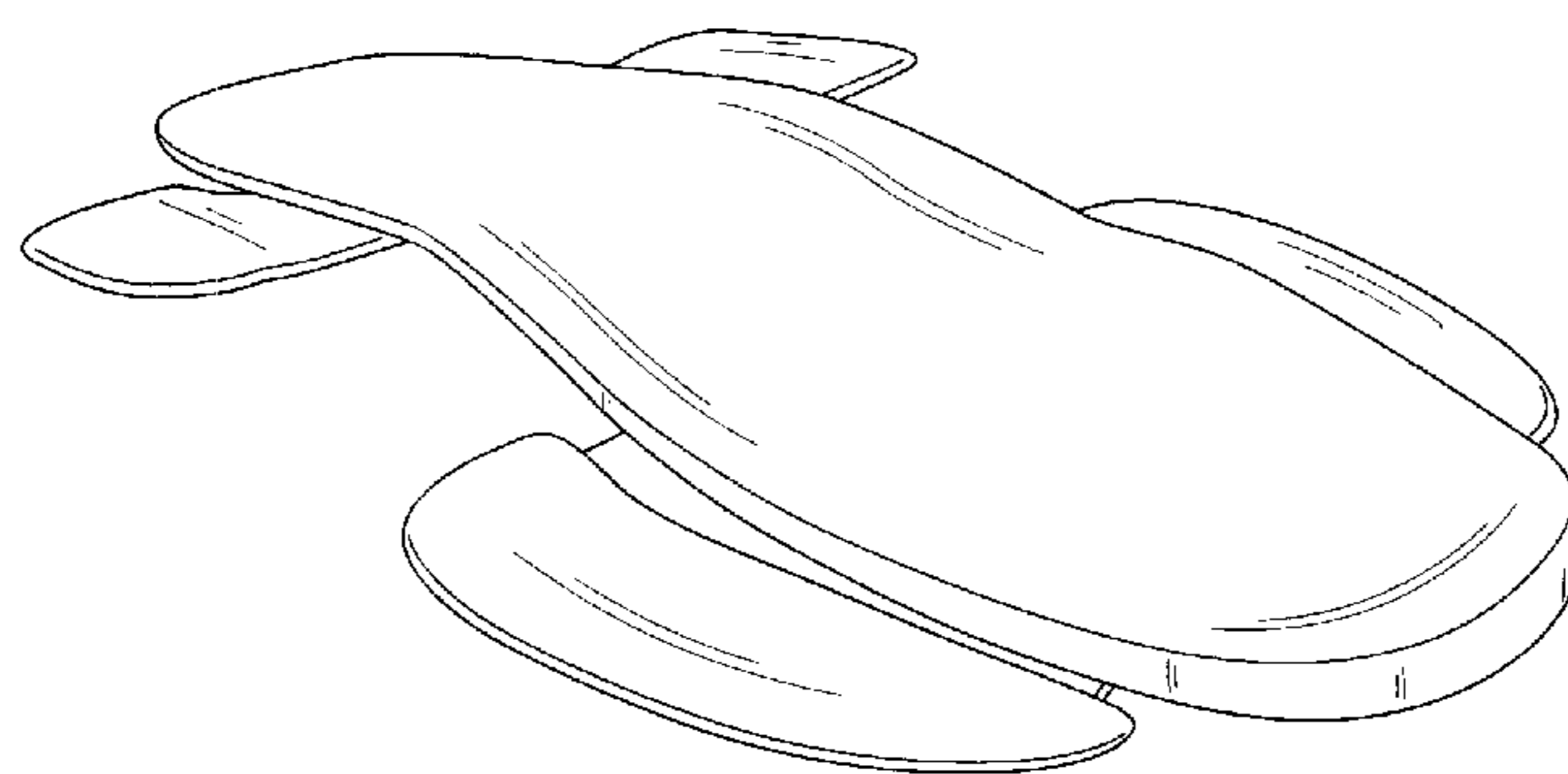
FIG. 9 is a left side perspective view thereof during use; and,

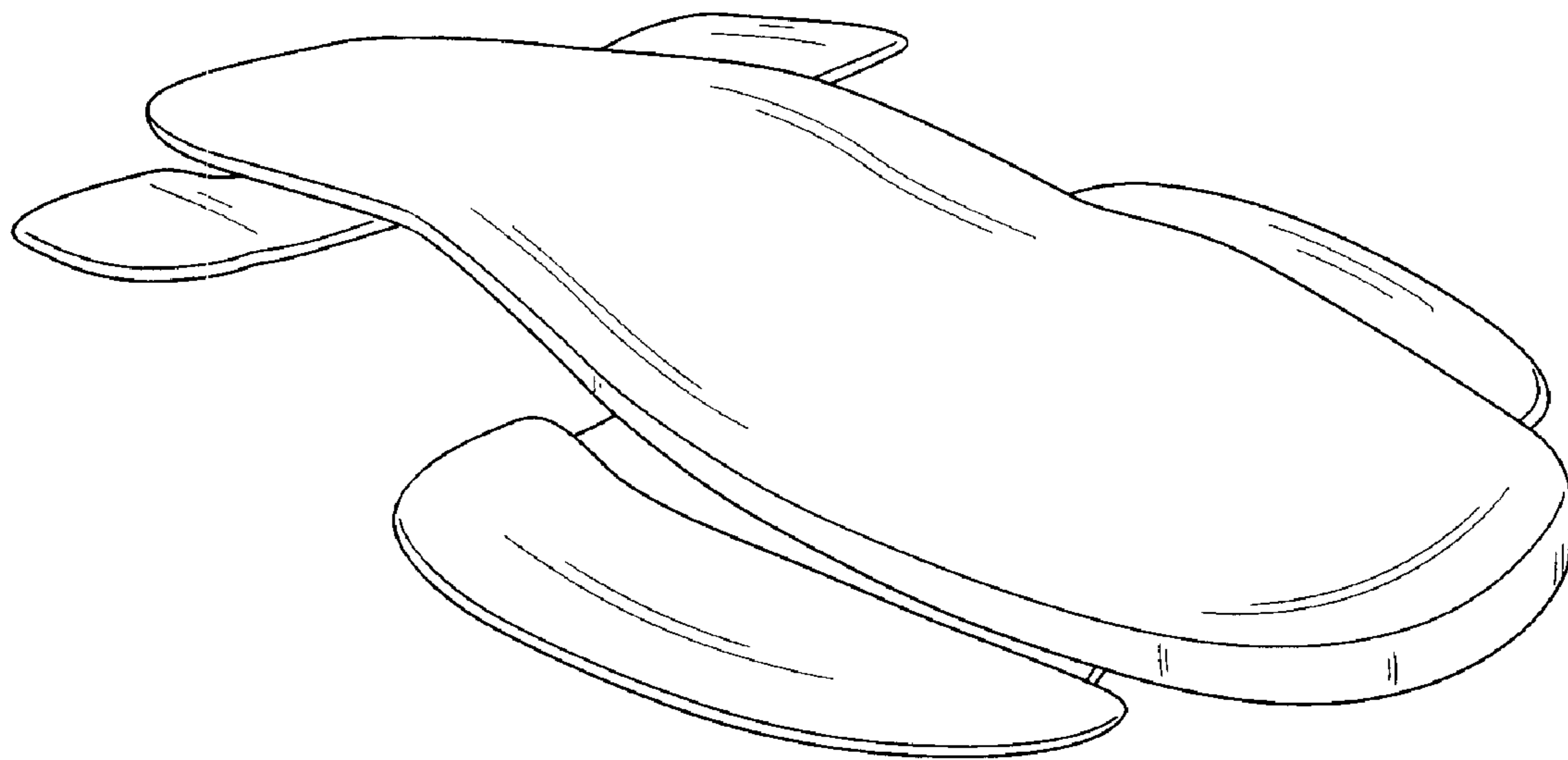
FIG. 10 is a top perspective view thereof during use.

FIGS. 1-10 are of an insole for a right foot, an insole for a left foot are mirror images of the figures shown herein.

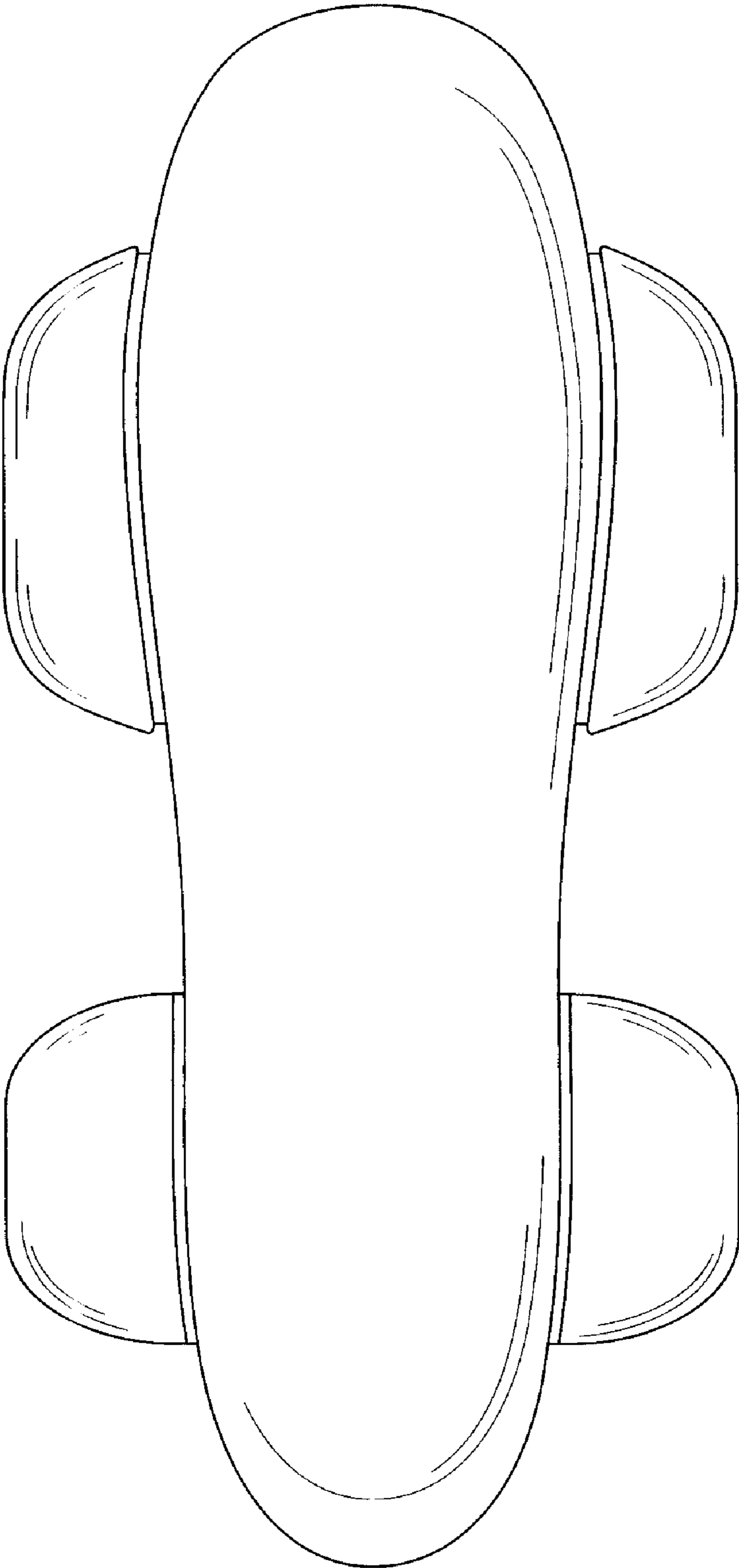
The drawing portions in broken lines are for illustrative purposes only and form no part of the claimed design.

**1 Claim, 8 Drawing Sheets**

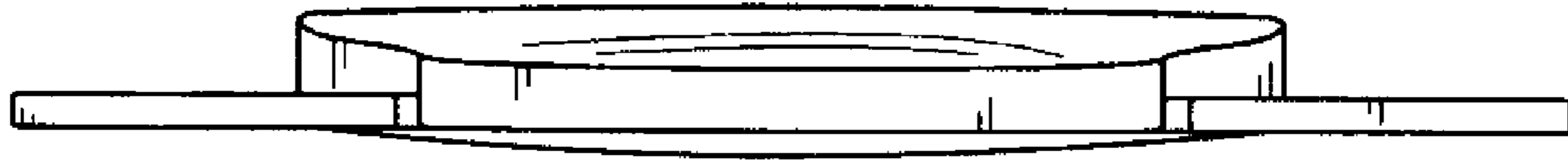




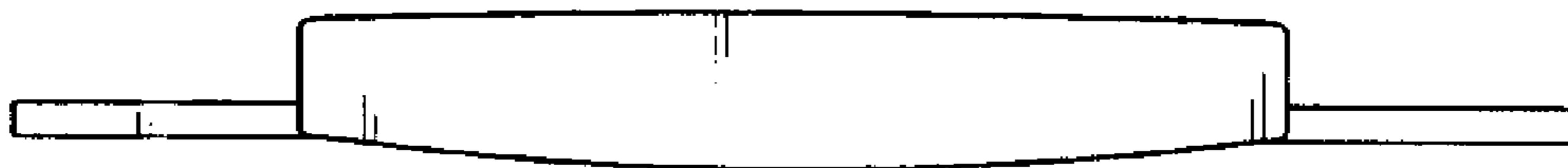
**FIG. 1**



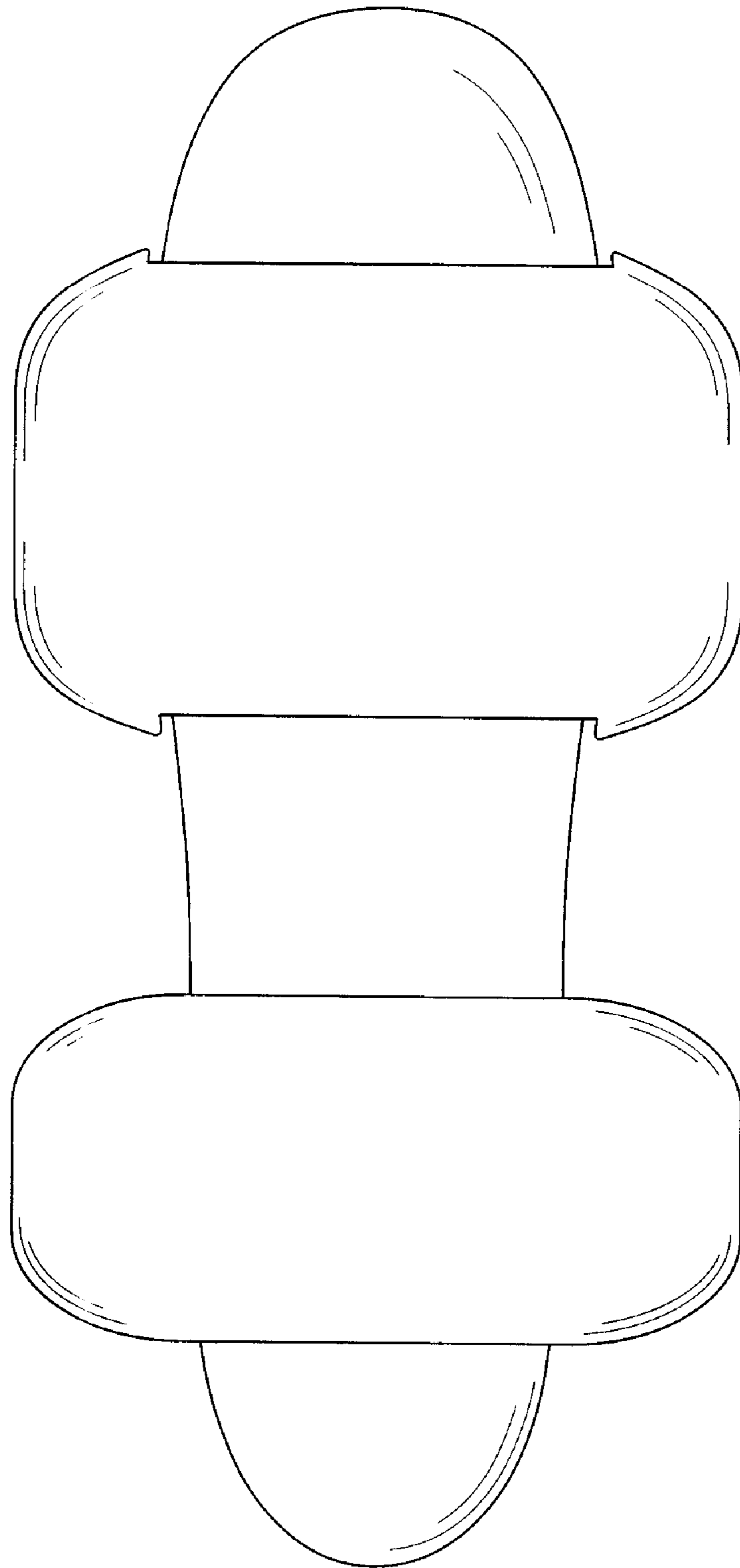
**FIG. 2**



**FIG. 2A**



**FIG. 2B**



**FIG. 3**

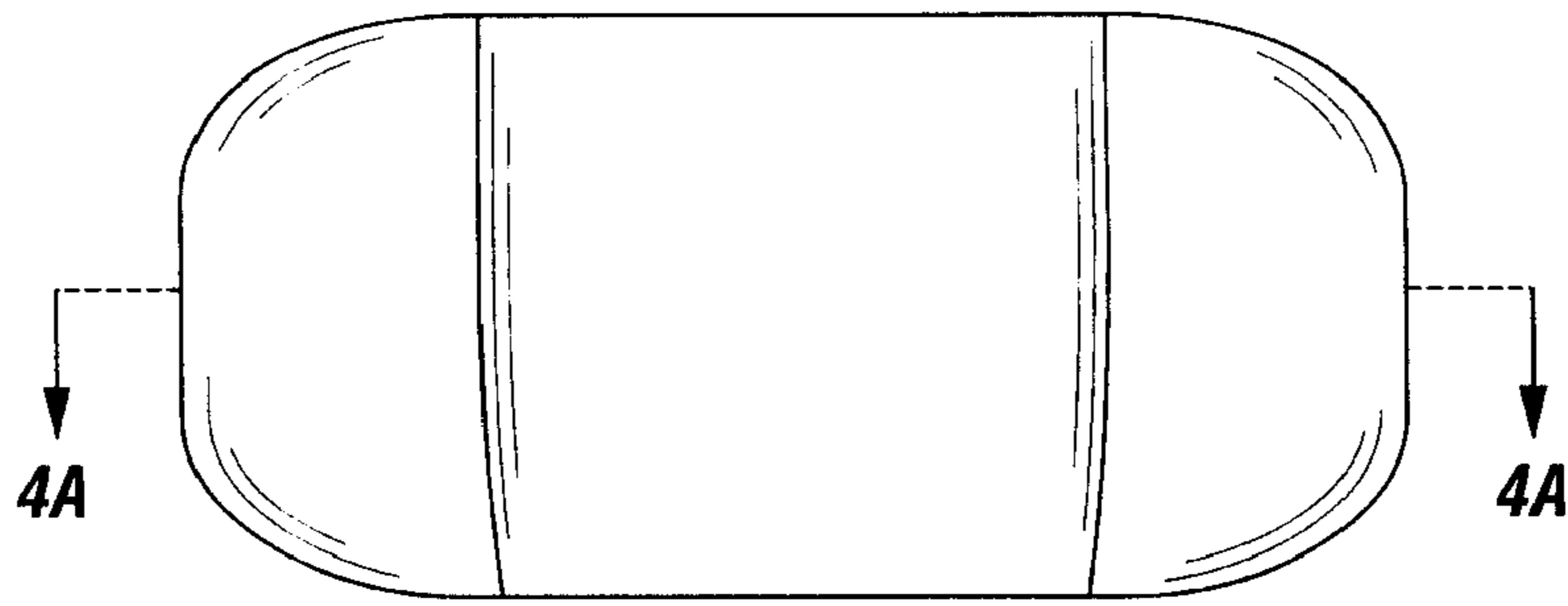


FIG. 4



FIG. 4A

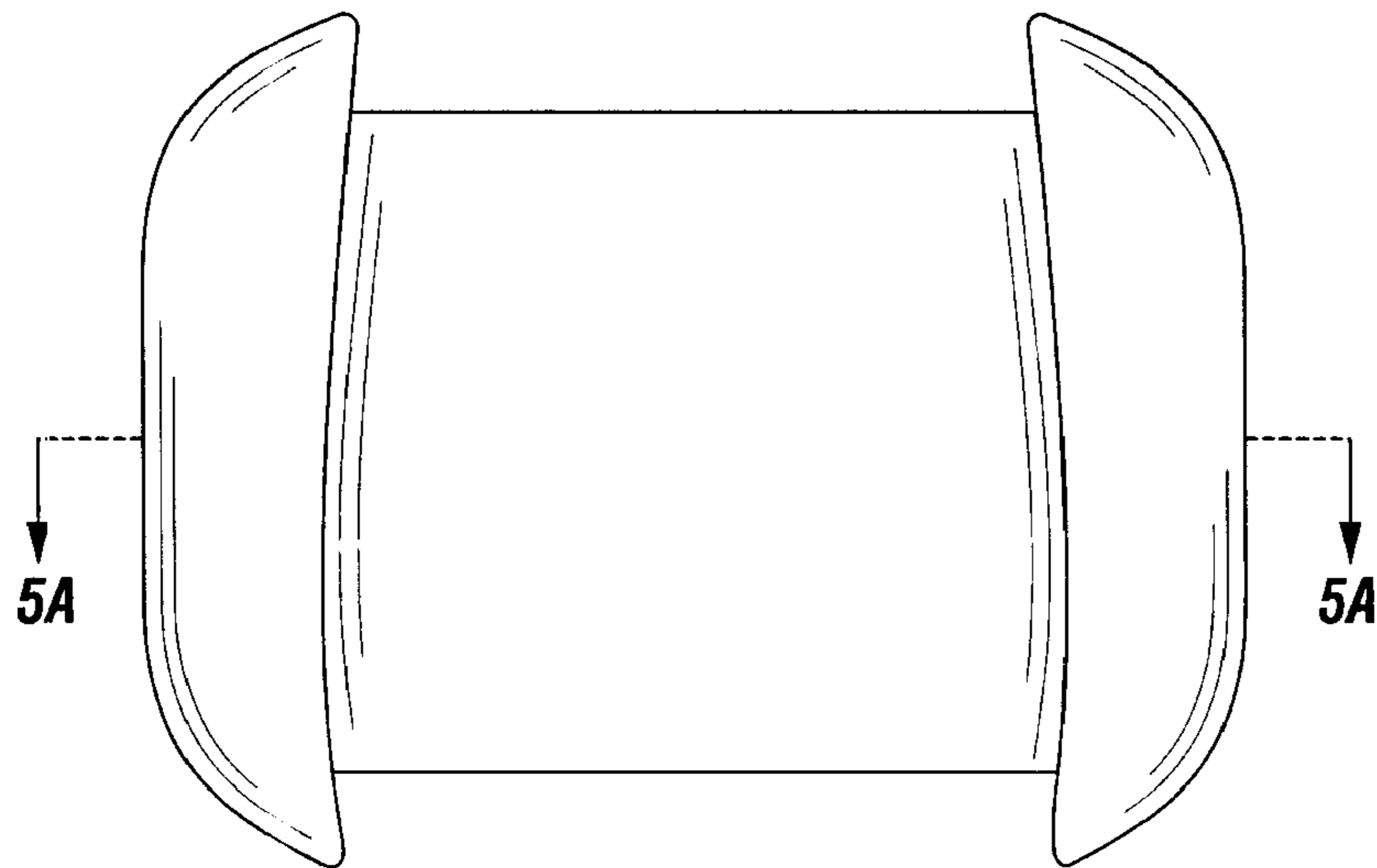


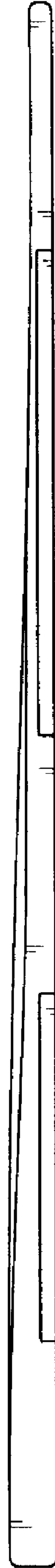
FIG. 5



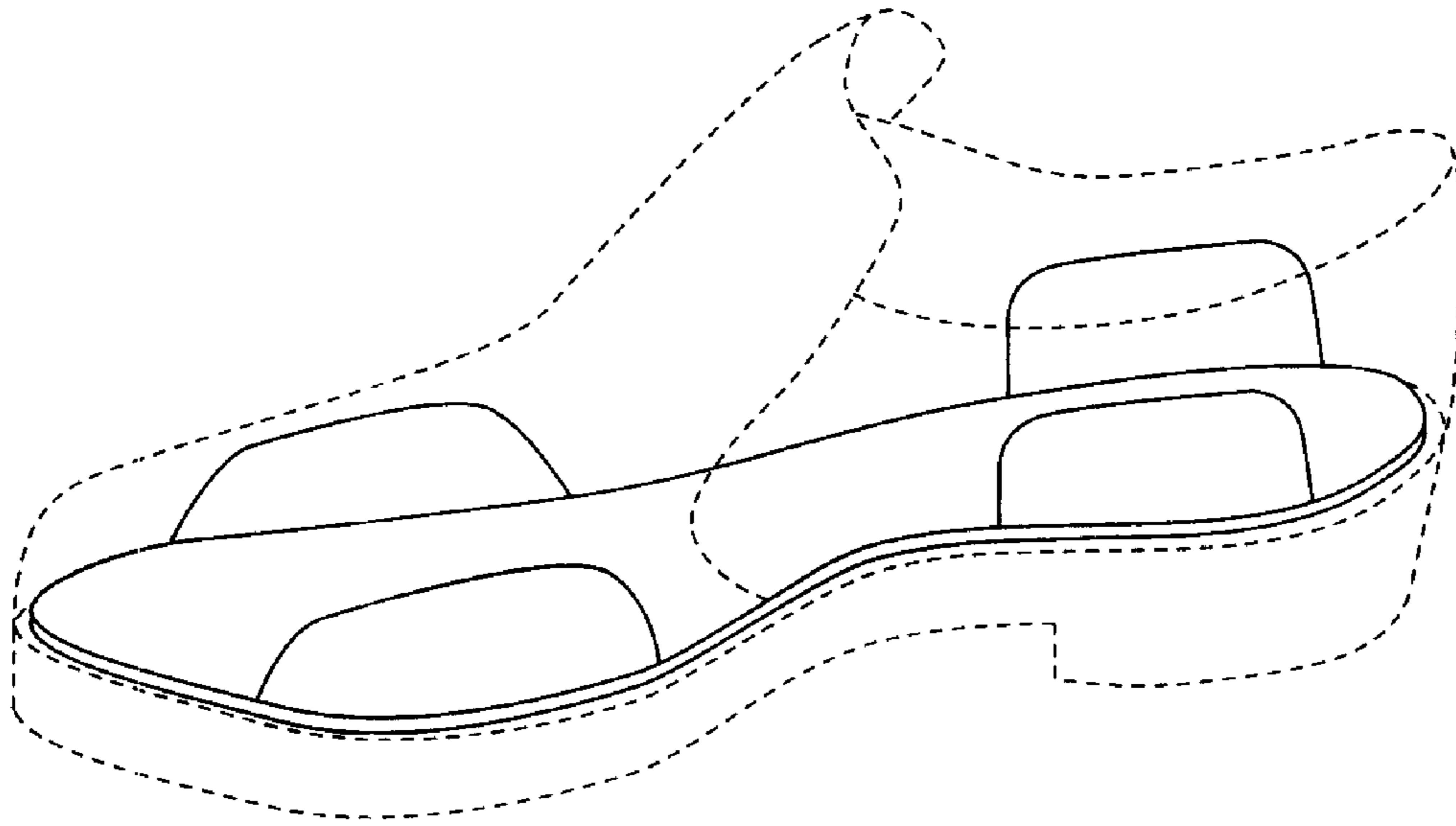
FIG. 5A



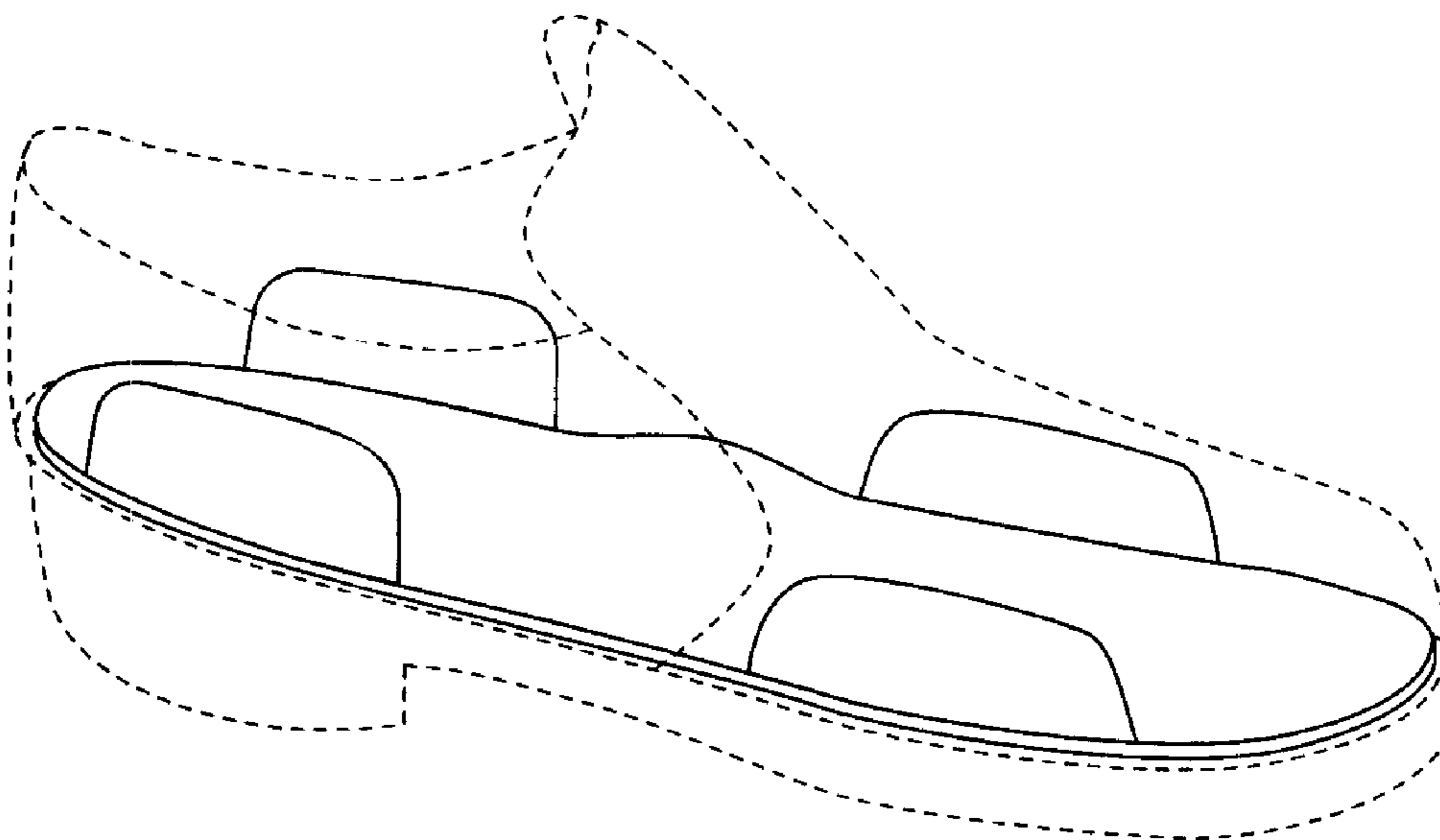
**FIG. 6**



**FIG. 7**

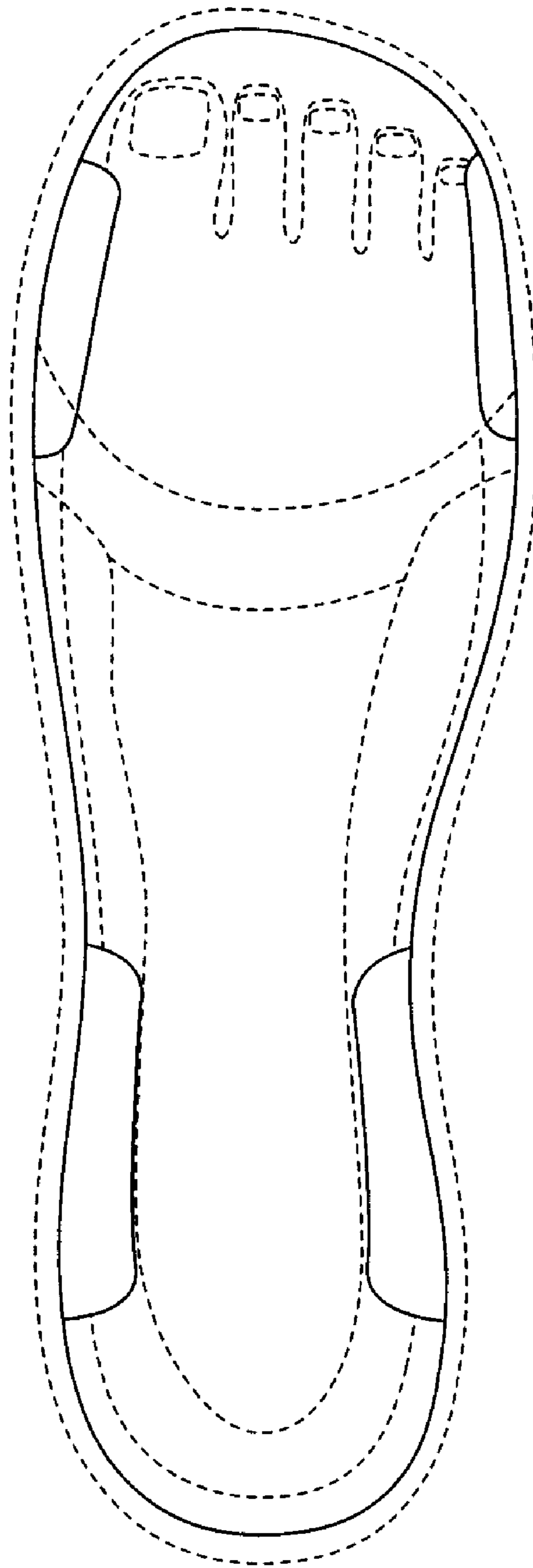


**FIG. 8**



**FIG. 9**





**FIG. 10**