



US00D536504S

(12) **United States Design Patent**
Righi

(10) **Patent No.:** **US D536,504 S**

(45) **Date of Patent:** **** Feb. 6, 2007**

(54) **LIFT TRUCK**

(75) Inventor: **Vanni Righi**, Correggio (IT)

(73) Assignee: **Cesab Carrelli Elevatori S.p.A.**,
Bologna (IT)

(**) Term: **14 Years**

(21) Appl. No.: **29/239,139**

(22) Filed: **Sep. 27, 2005**

(30) **Foreign Application Priority Data**

Mar. 29, 2005 (EM) 000314174

(51) **LOC (8) Cl.** **12-05**

(52) **U.S. Cl.** **D34/34**

(58) **Field of Classification Search** D34/28,
D34/34; 187/222, 237; 414/631; 180/89.12,
180/89.13, 89.17

See application file for complete search history.

(56) **References Cited**

U.S. PATENT DOCUMENTS

D389,981 S * 1/1998 Donaldson D34/34
D393,134 S * 3/1998 Mariano D34/34

D393,516 S * 4/1998 Hahn et al. D34/34
D411,681 S * 6/1999 Murakami et al. D34/34
D448,136 S * 9/2001 Yurushi et al. D34/34
D469,236 S * 1/2003 Mitsuyoshi et al. D34/34
D471,689 S * 3/2003 Shibata et al. D34/34
D518,268 S * 3/2006 Stark D34/34
D526,460 S * 8/2006 Goto et al. D34/34

* cited by examiner

Primary Examiner—Cynthia E. Ramirez

(74) *Attorney, Agent, or Firm*—Nixon & Vanderhye P.C.

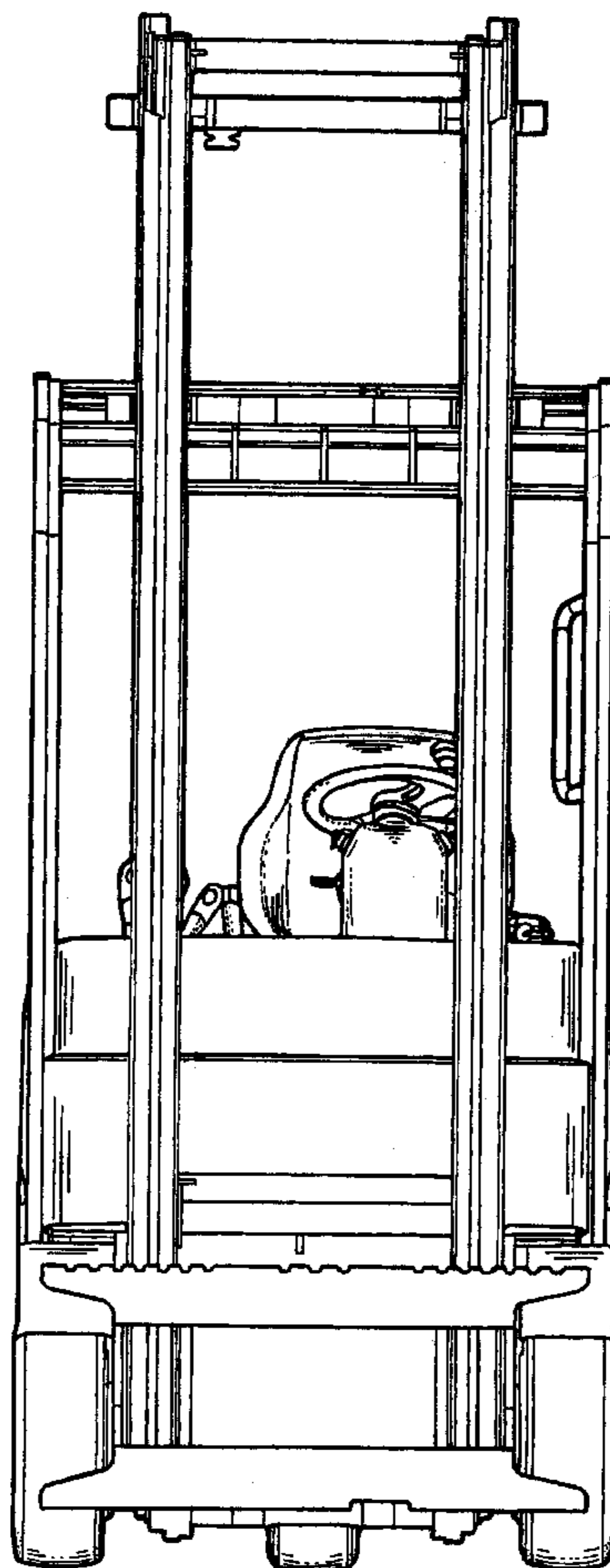
(57) **CLAIM**

The ornamental design for lift truck, as shown and described.

DESCRIPTION

FIG. 1 is a front plan view showing my new design;
FIG. 2 is a rear plan view;
FIG. 3 is a top plan view;
FIG. 4 is a left side view;
FIG. 5 is a right side view;
FIG. 6 is a front side perspective view; and,
FIG. 7 is a rear side perspective view.

1 Claim, 7 Drawing Sheets



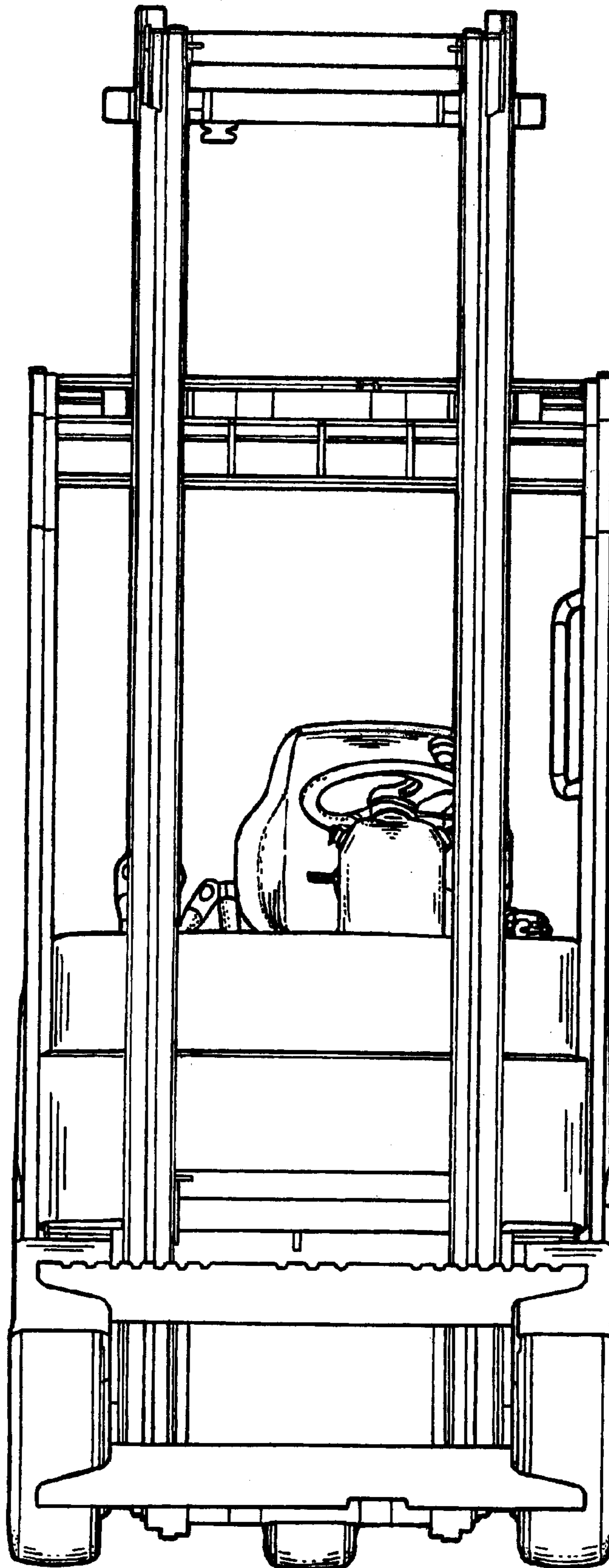


Fig. 1

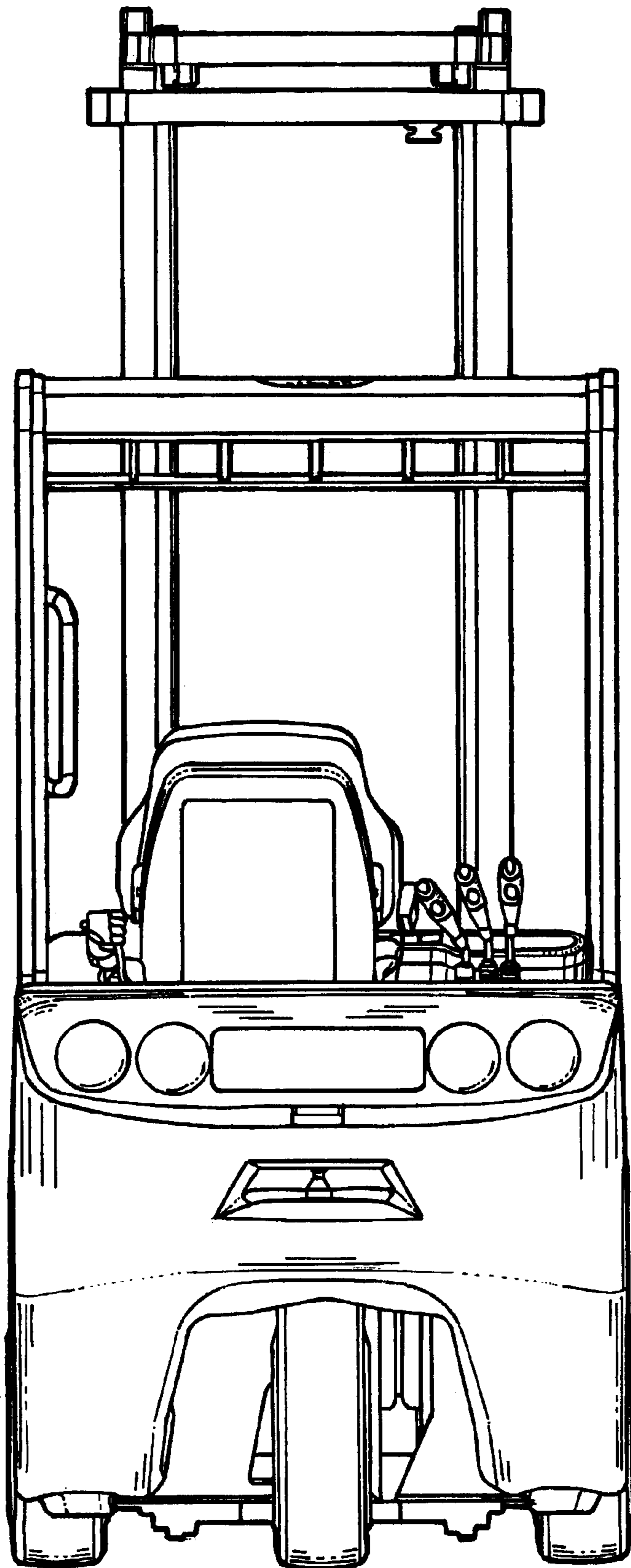


Fig. 2

Fig. 3

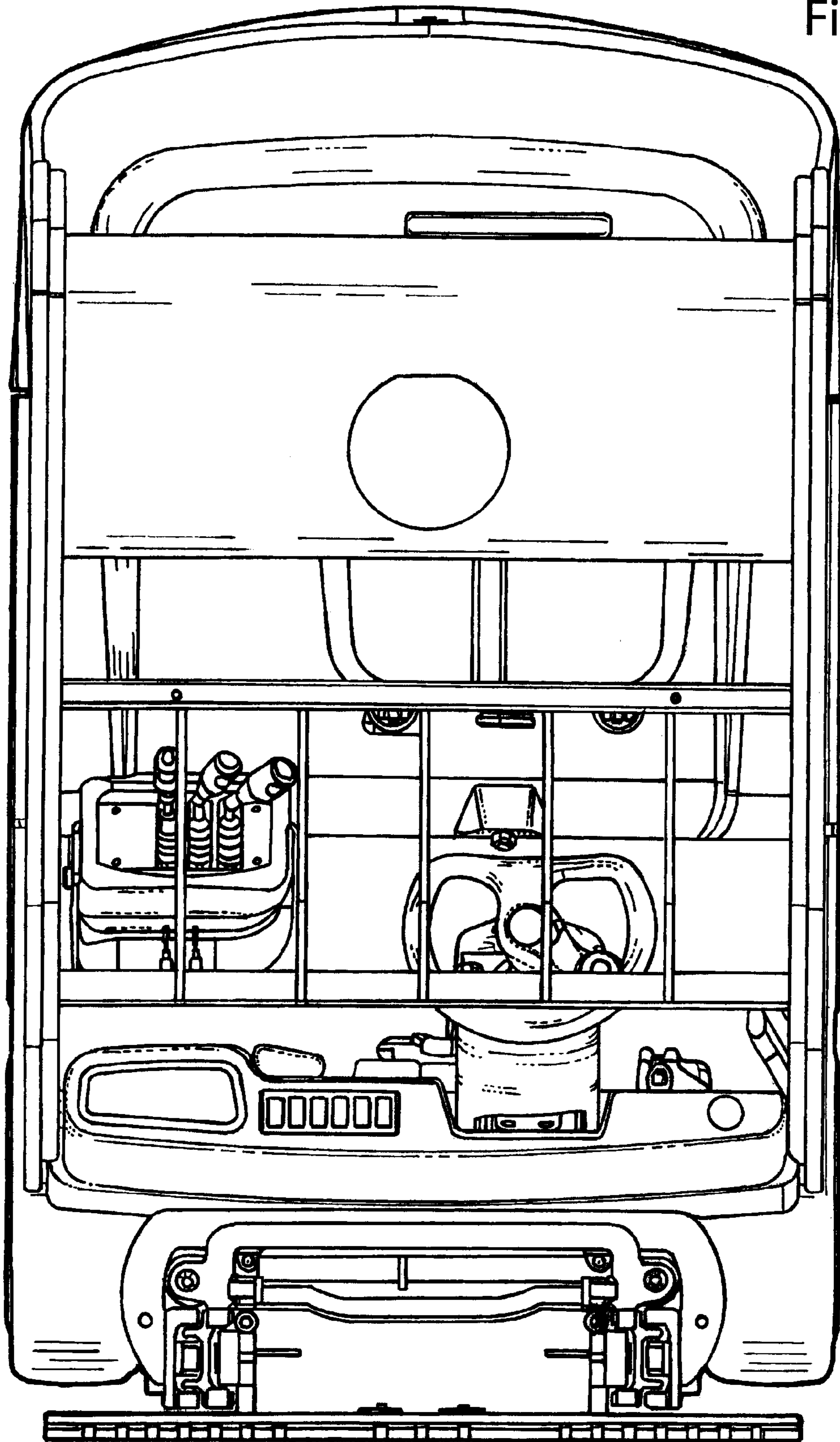


Fig. 4

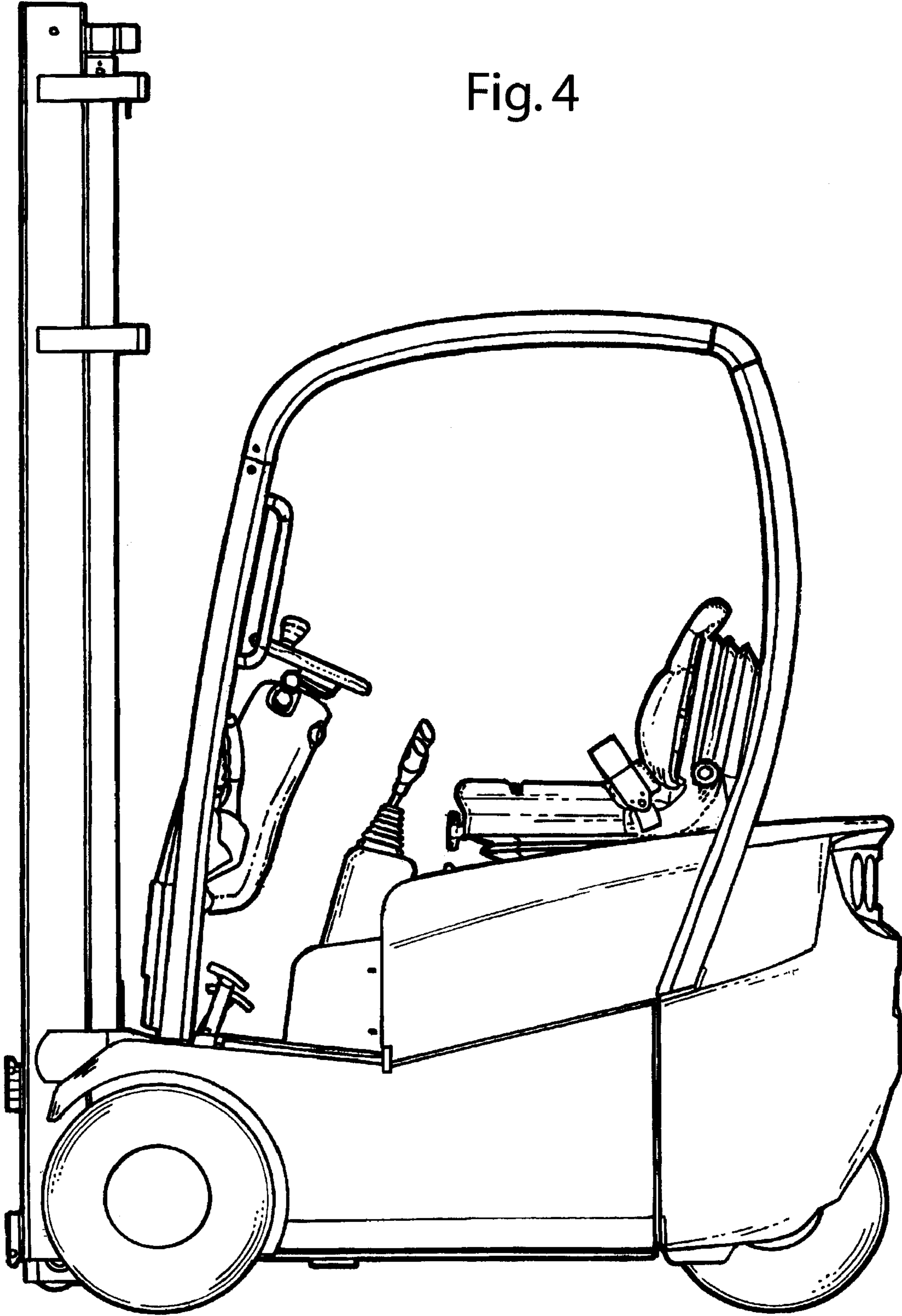


Fig. 5

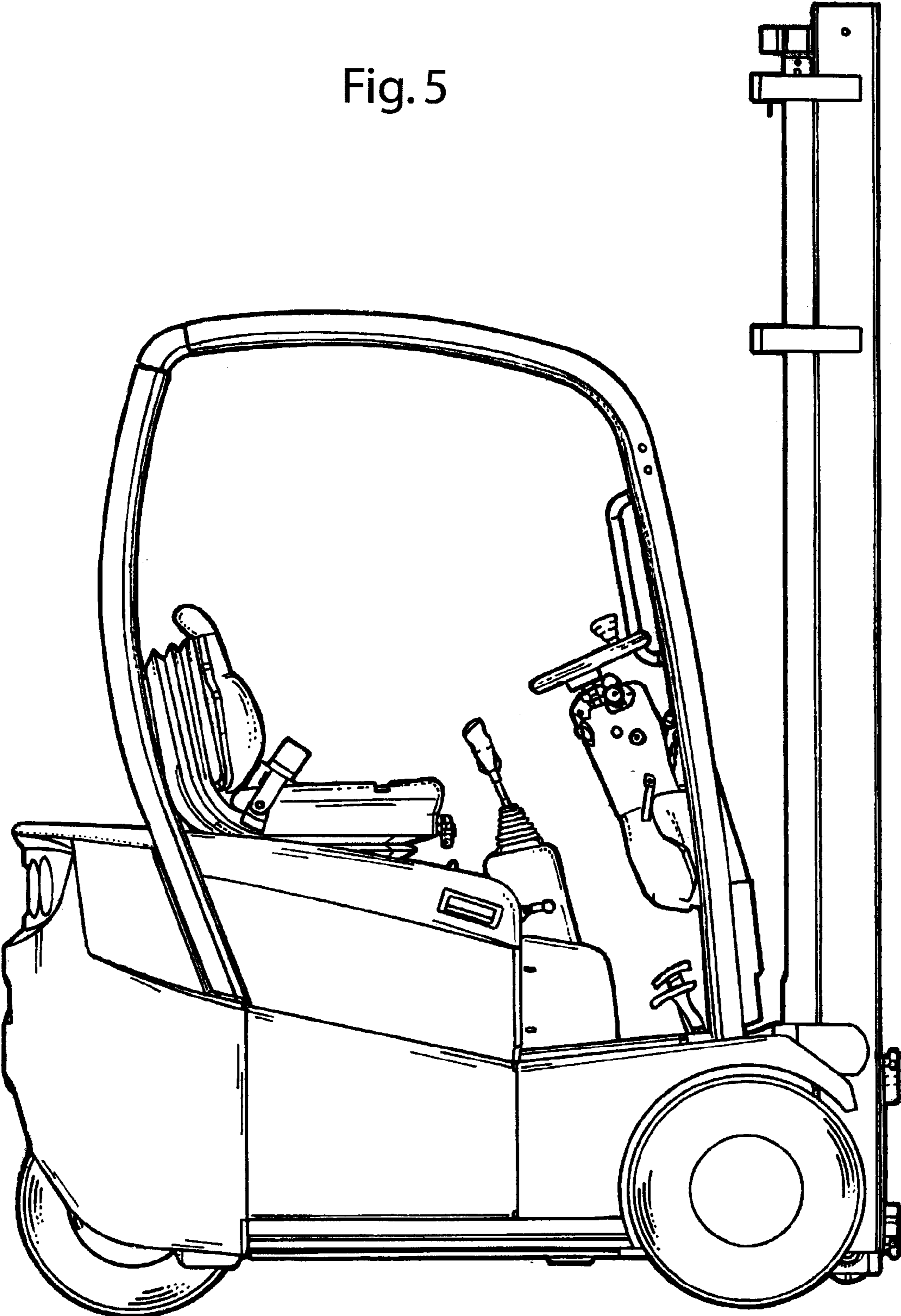
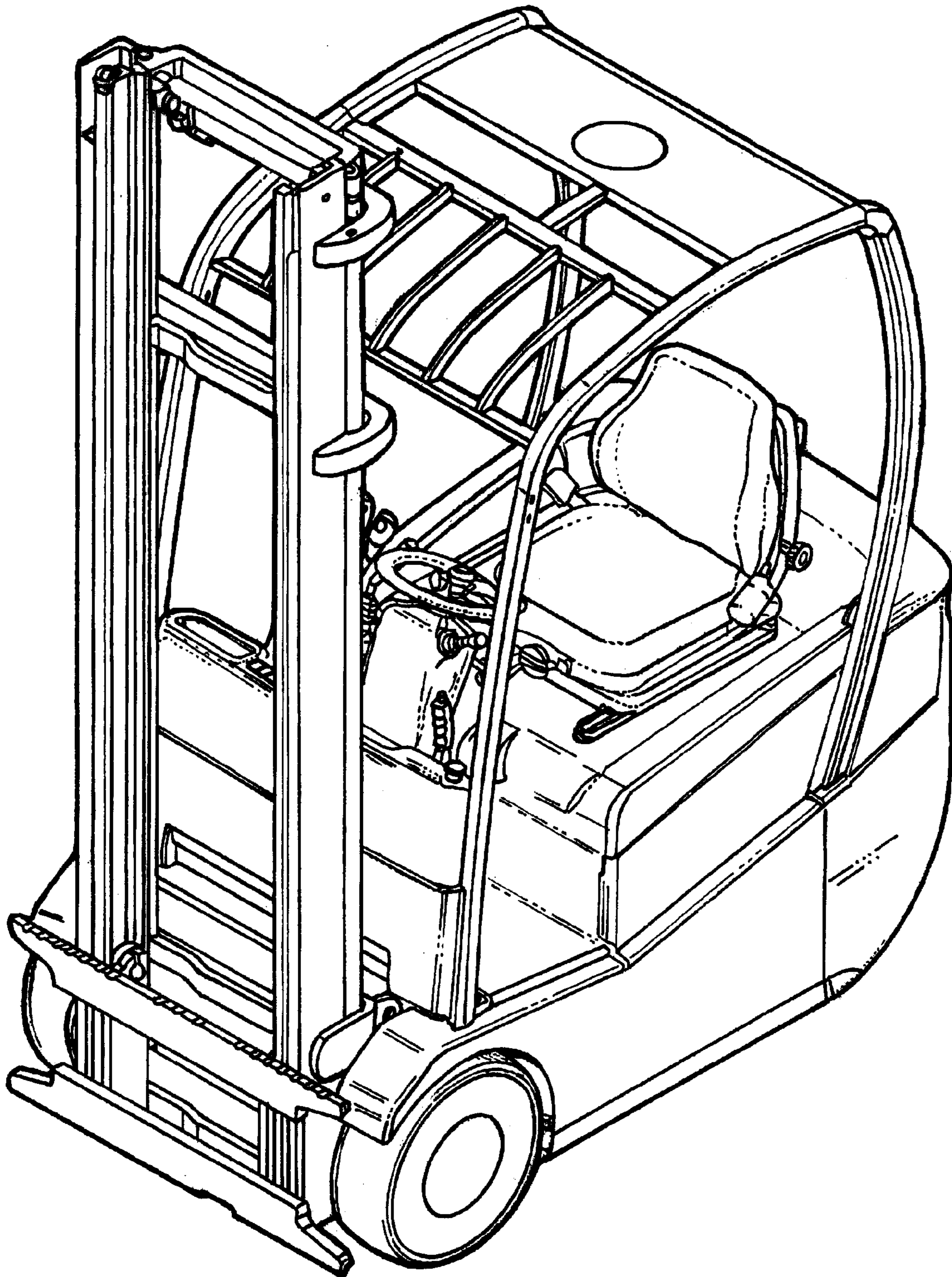


Fig. 6



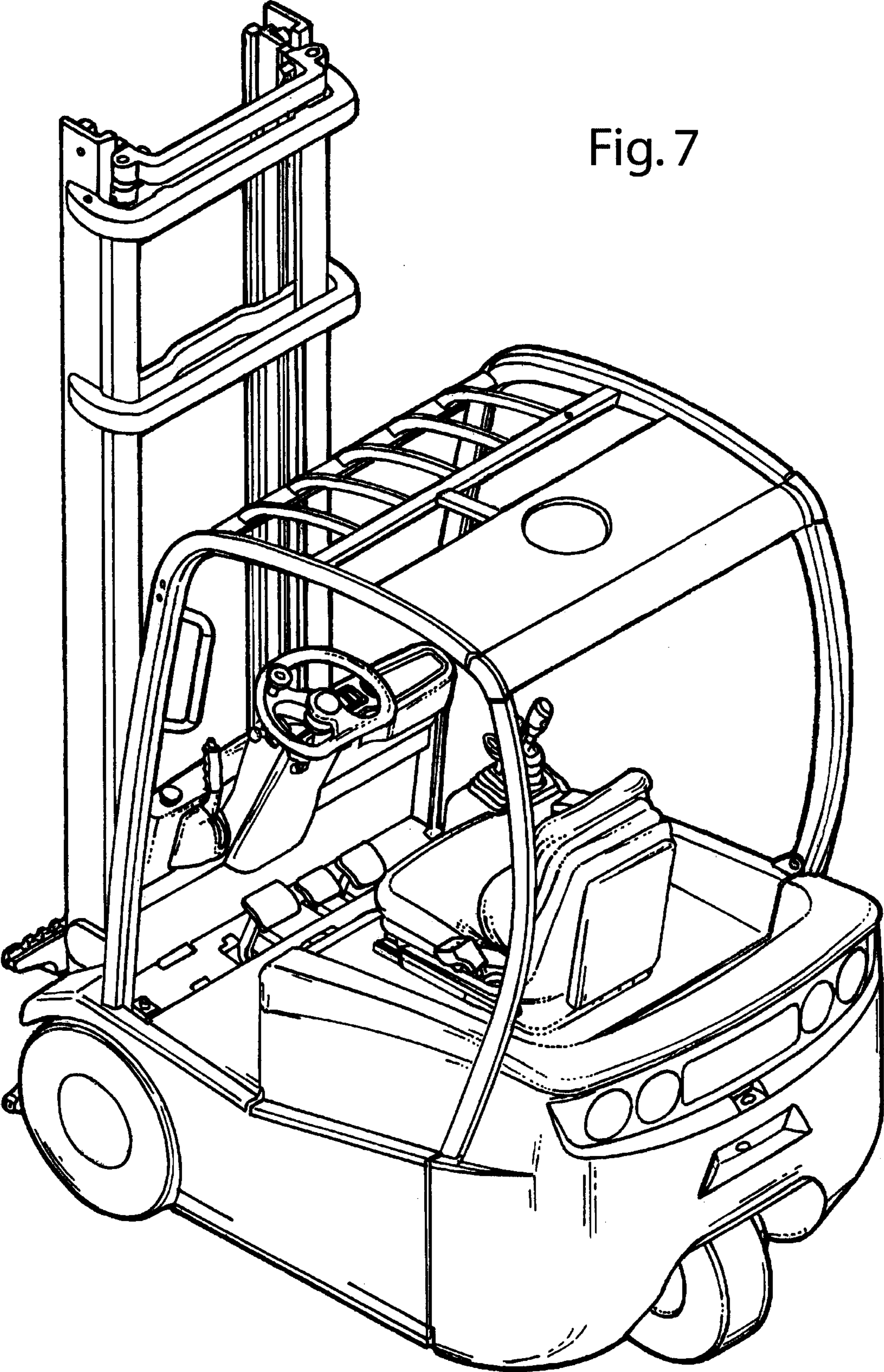


Fig. 7