



US00D536502S

(12) **United States Design Patent** (10) **Patent No.:** **US D536,502 S**  
**Weigand et al.** (45) **Date of Patent:** **\*\* Feb. 6, 2007**

(54) **SHOPPING CART PRODUCT HOLDER**

(75) Inventors: **Christopher P. Weigand**, Macedonia, OH (US); **Gary Walker**, Strongsville, OH (US); **Peter Rakytiak**, Medina, OH (US)

(73) Assignee: **American Greetings Corp.**, Cleveland, OH (US)

(\*\*) Term: **14 Years**

(21) Appl. No.: **29/226,404**

(22) Filed: **Mar. 29, 2005**

(51) **LOC (8) Cl.** ..... **12-02**

(52) **U.S. Cl.** ..... **D34/27**

(58) **Field of Classification Search** ..... D34/12-27;  
D6/567; D19/78, 90; 280/644; 206/232; 211/50  
See application file for complete search history.

(56) **References Cited**

**U.S. PATENT DOCUMENTS**

1,560,493	A	*	11/1925	Steinberg	.....	211/50
2,558,372	A	*	6/1951	Nidermayer, Jr.	.....	224/409
D176,627	S	*	1/1956	Nash	.....	D34/27
2,763,413	A		9/1956	Felton		
3,007,618	A		11/1961	Davis et al.		
4,346,912	A	*	8/1982	Habib	.....	280/644
4,496,058	A		1/1985	Harris et al.		
4,512,504	A		4/1985	Owlett		
4,685,701	A		8/1987	Amundson et al.		
4,742,943	A		5/1988	Trubiano		
D301,101	S	*	5/1989	Meyer	.....	D6/567
5,012,966	A		5/1991	Turner et al.		
D322,002	S	*	12/1991	Emery	.....	D6/566
5,263,578	A	*	11/1993	Narvey	.....	206/232
D352,589	S	*	11/1994	Kennedy	.....	D34/27
D354,384	S	*	1/1995	Trubiano	.....	D34/27
D355,063	S	*	1/1995	Pirnat	.....	D34/27
D366,903	S	*	2/1996	Baggott	.....	D19/78
5,494,308	A		2/1996	Southerland		
D379,706	S	*	6/1997	Hurst	.....	D34/27
D383,283	S	*	9/1997	Hankins, III	.....	D34/27
D391,296	S	*	2/1998	Hill, Sr.	.....	D19/90

D411,904	S	*	7/1999	Risholm et al.	.....	D34/27
5,966,865	A		10/1999	Jones		
6,029,380	A		2/2000	Goddard		
6,158,640	A		12/2000	Karp et al.		
6,186,382	B1		2/2001	Bergin et al.		
D443,968	S	*	6/2001	Porter	.....	D34/27
D484,666	S	*	12/2003	Caya	.....	D34/27
6,705,473	B1	*	3/2004	Schlesinger	.....	211/50
2003/0005824	A1		1/2003	Giampavolo et al.		

\* cited by examiner

*Primary Examiner*—Freda Nunn

*Assistant Examiner*—Kevin K. Rudzinski

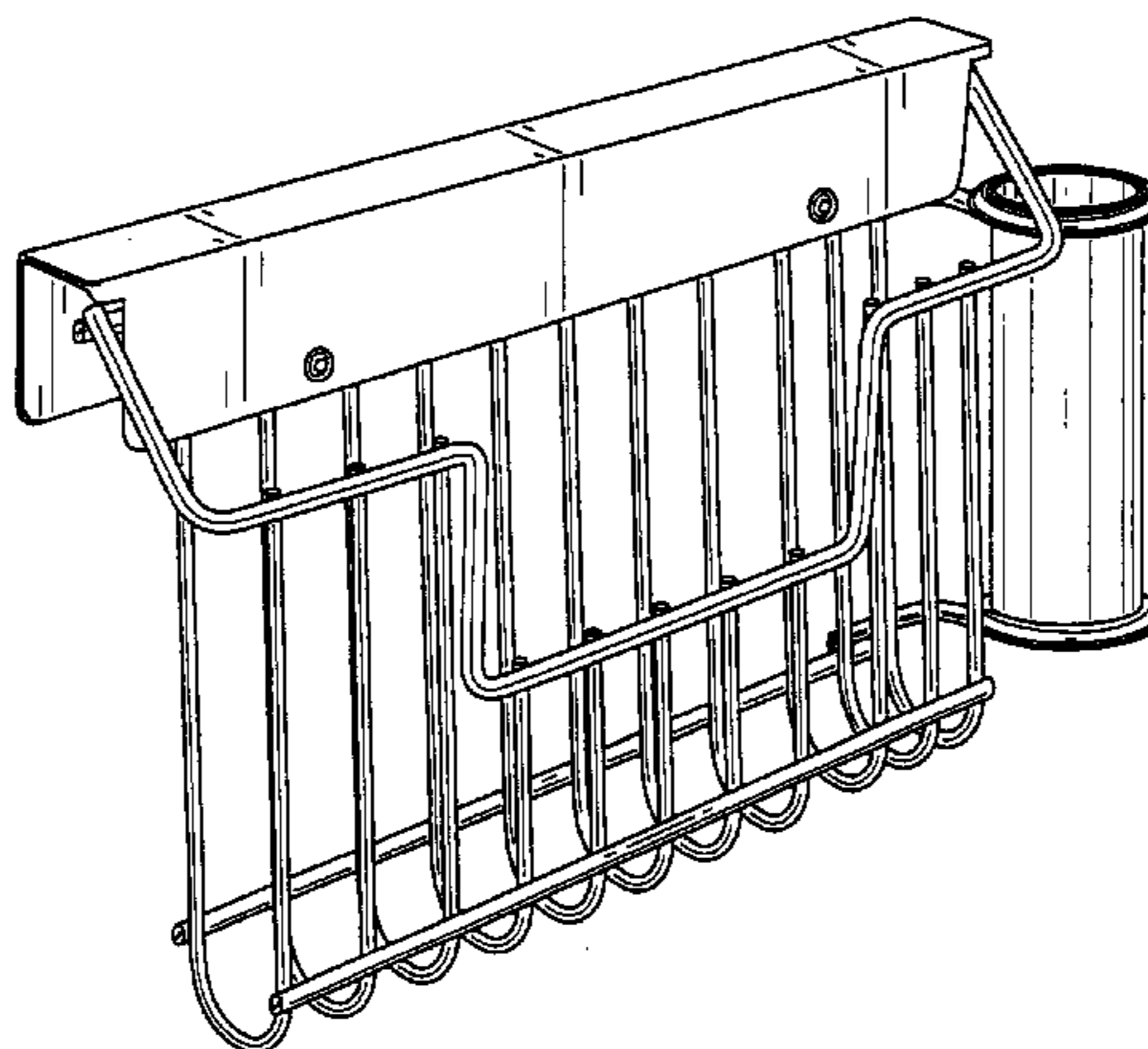
(74) *Attorney, Agent, or Firm*—Roetzel & Andress

(57) **CLAIM**

The ornamental design for the shopping cart product holder, as shown and described.

**DESCRIPTION**

FIG. 1 is a perspective view of a first embodiment of the shopping cart product holder design of the present invention; FIG. 2 is a front view of a first embodiment of the shopping cart product holder design of the present invention; FIG. 3 is a rear view of a first embodiment of the shopping cart product holder design of the present invention; FIG. 4 is a first side view of a first embodiment of the shopping cart product holder design of the present invention; FIG. 5 is a second side view of a first embodiment of the shopping cart product holder design of the present invention; FIG. 6 is a top view of a first embodiment of the shopping cart product holder design of the present invention; FIG. 7 is a bottom view of a first embodiment of the shopping cart product holder design of the present invention; FIG. 8 is a perspective view of a second embodiment of the shopping cart product holder design of the present invention; FIG. 9 is a front view of a second embodiment of the shopping cart product holder design of the present invention; FIG. 10 is a rear view of a second embodiment of the shopping cart product holder design of the present invention; FIG. 11 is a first side view of a second embodiment of the shopping cart product holder design of the present invention; FIG. 12 is a second side view of a second embodiment of the shopping cart product holder design of the present invention;





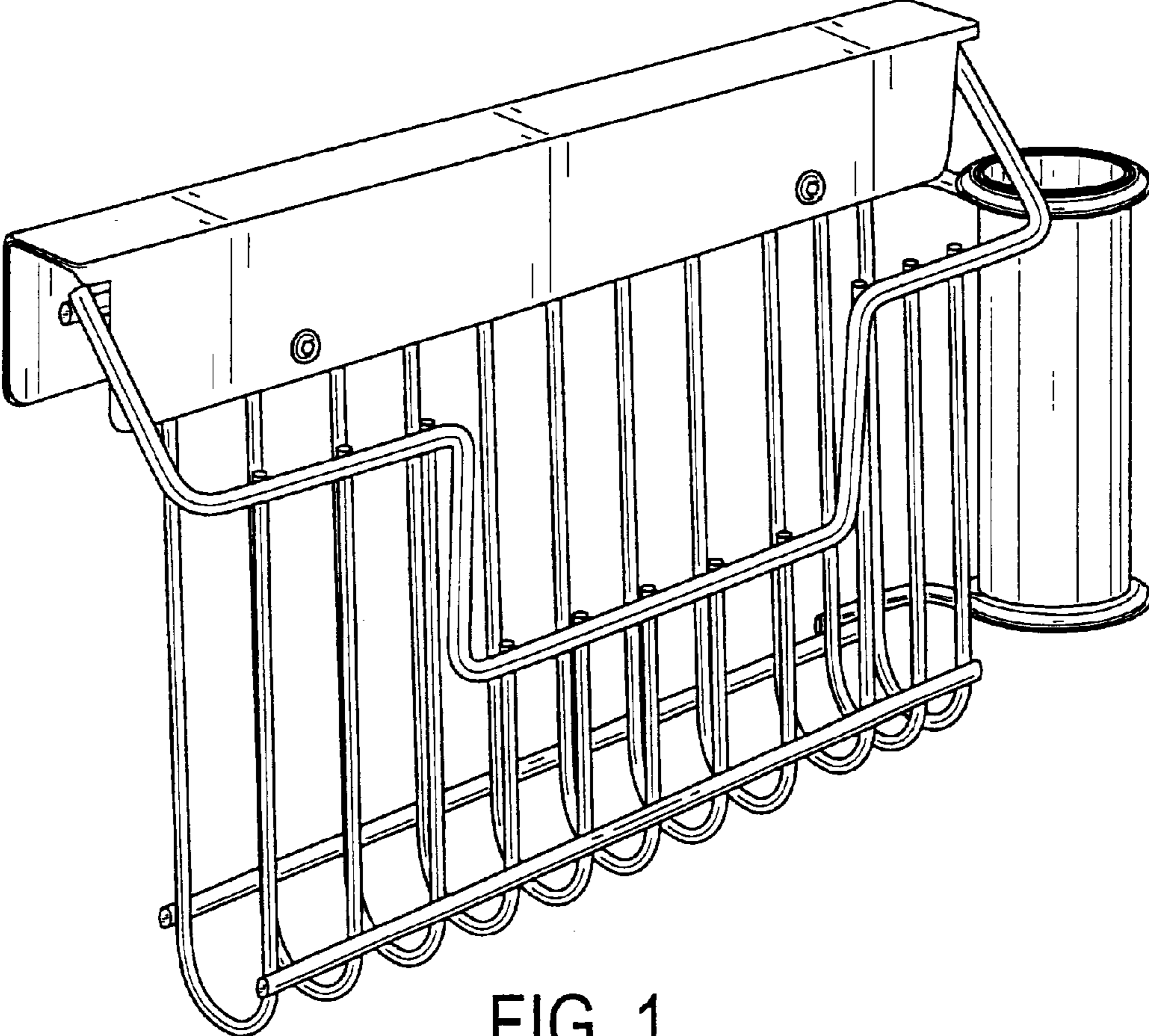


FIG. 1

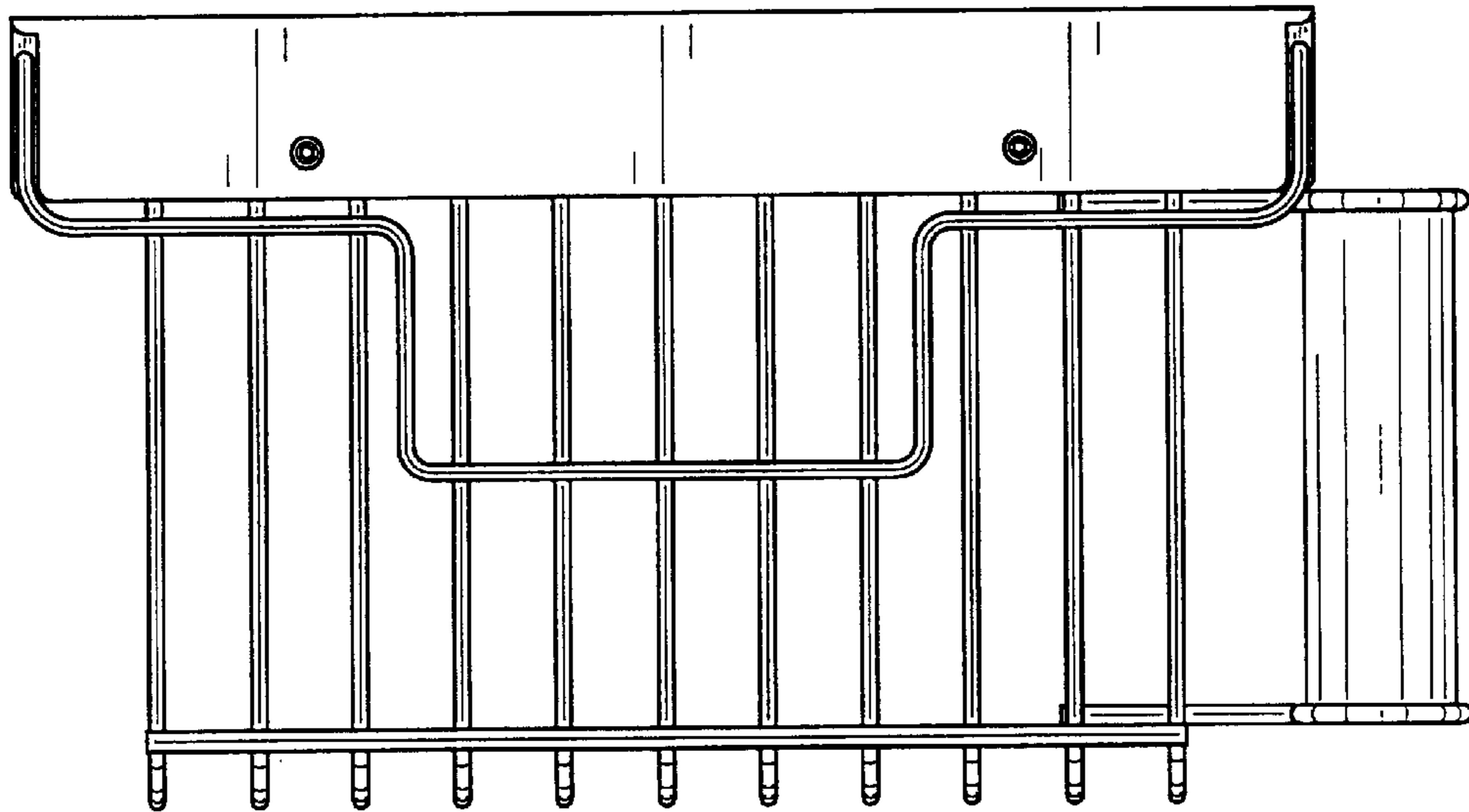


FIG. 2

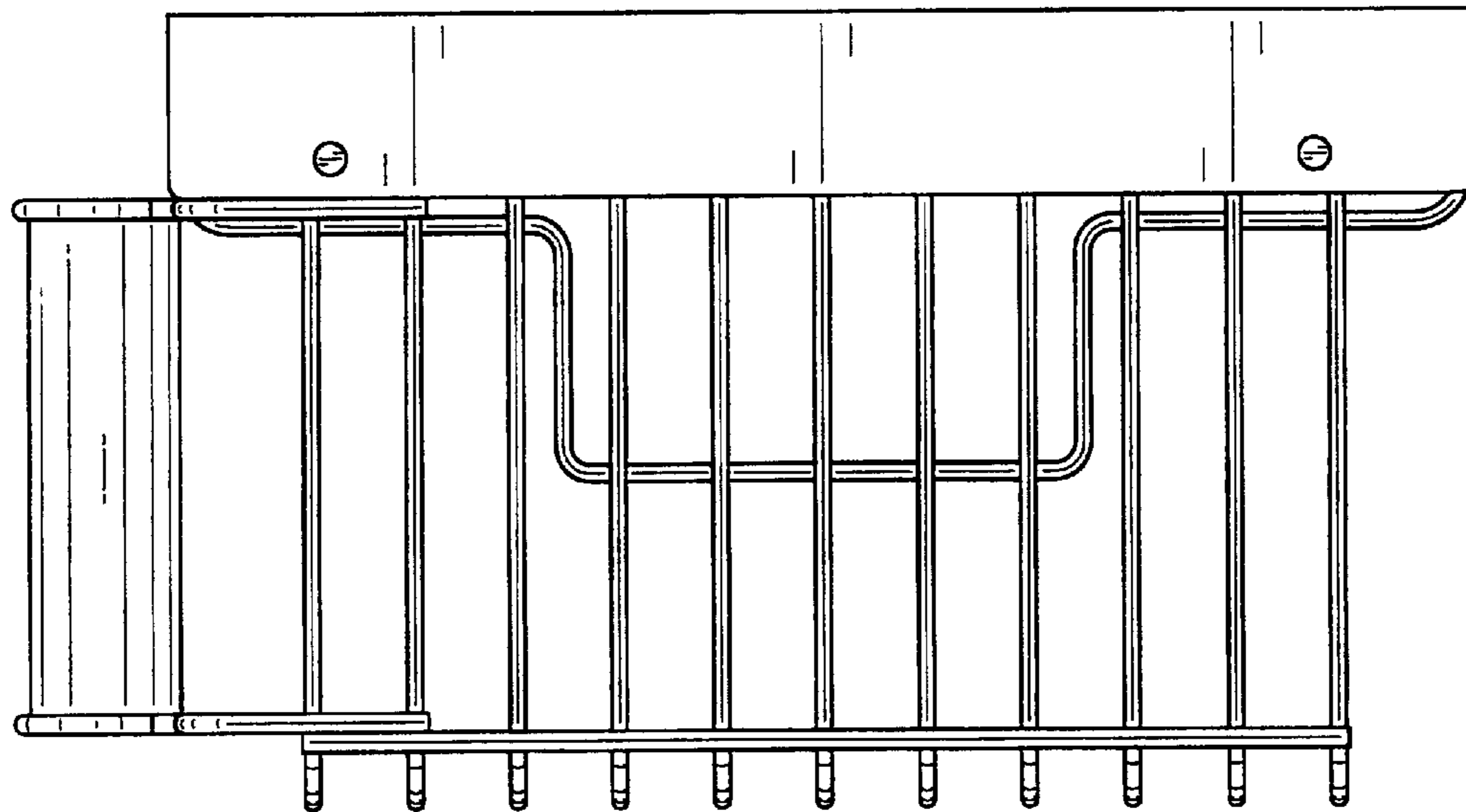


FIG. 3

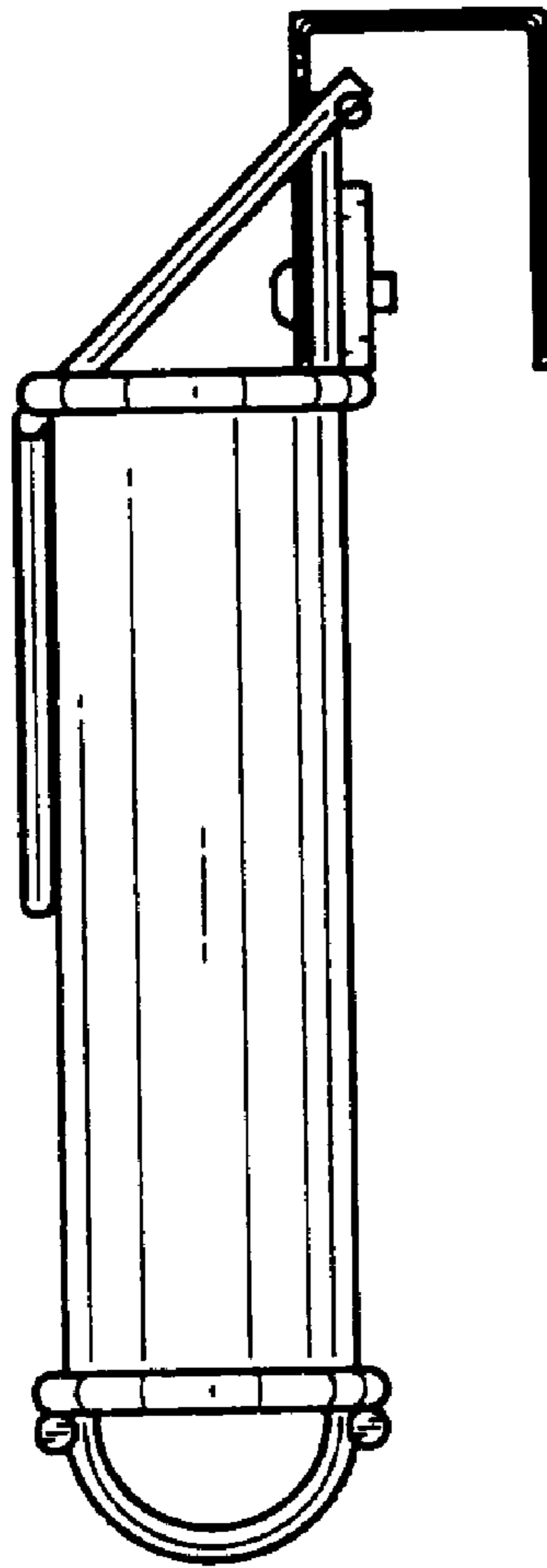


FIG. 4

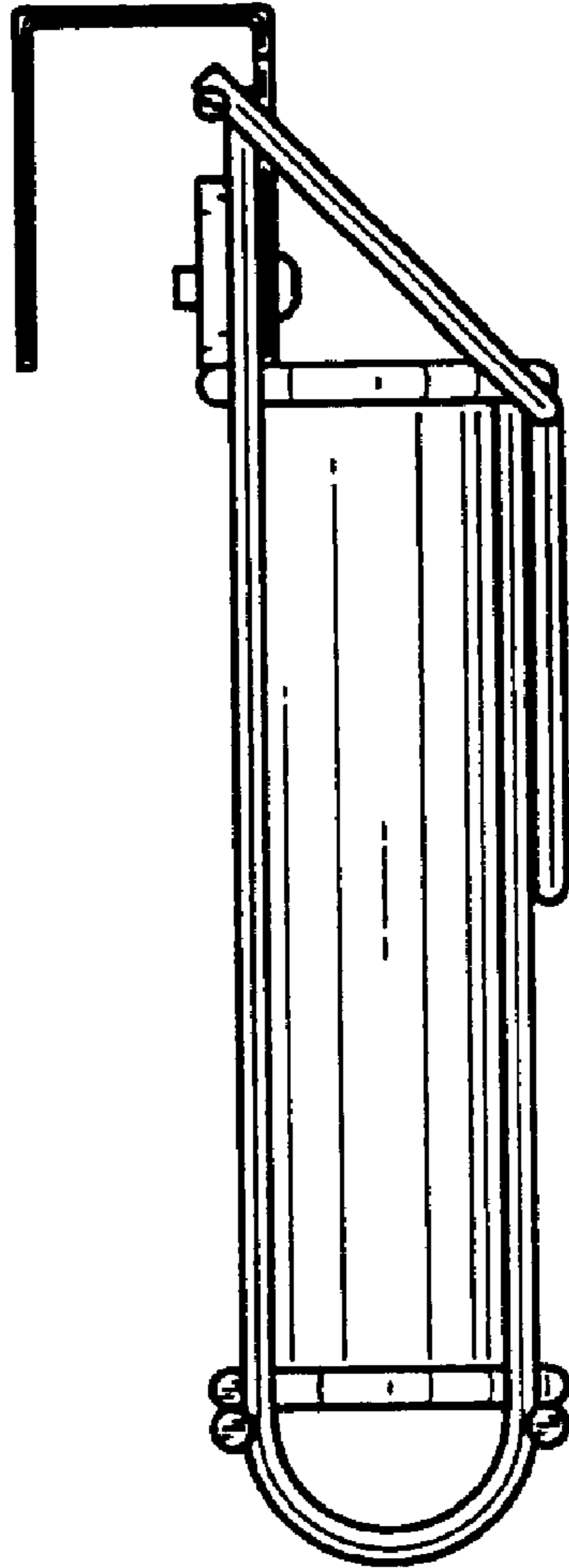


FIG. 5

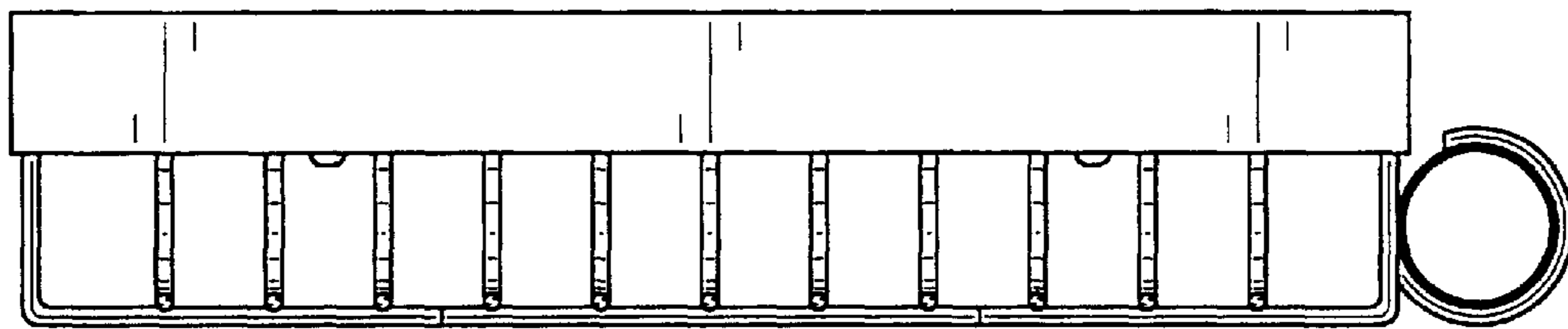


FIG. 6



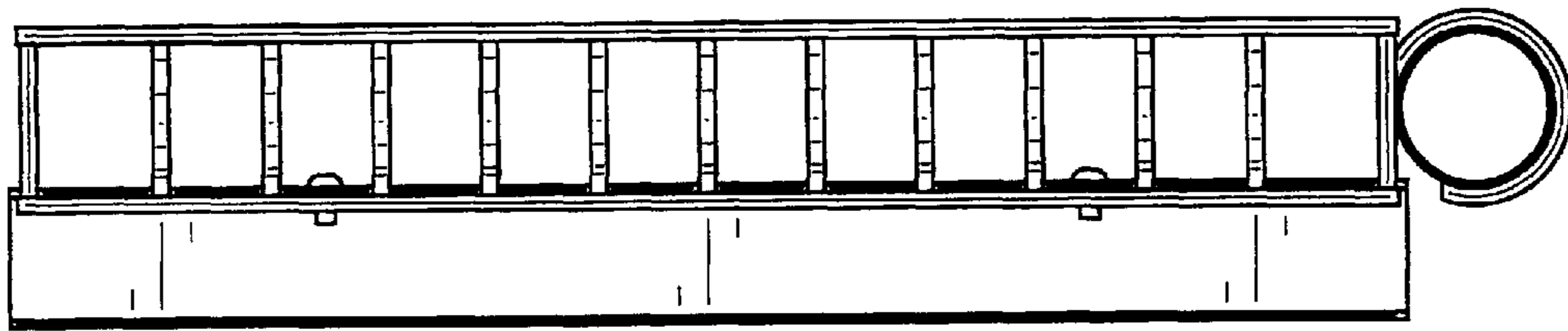


FIG. 7

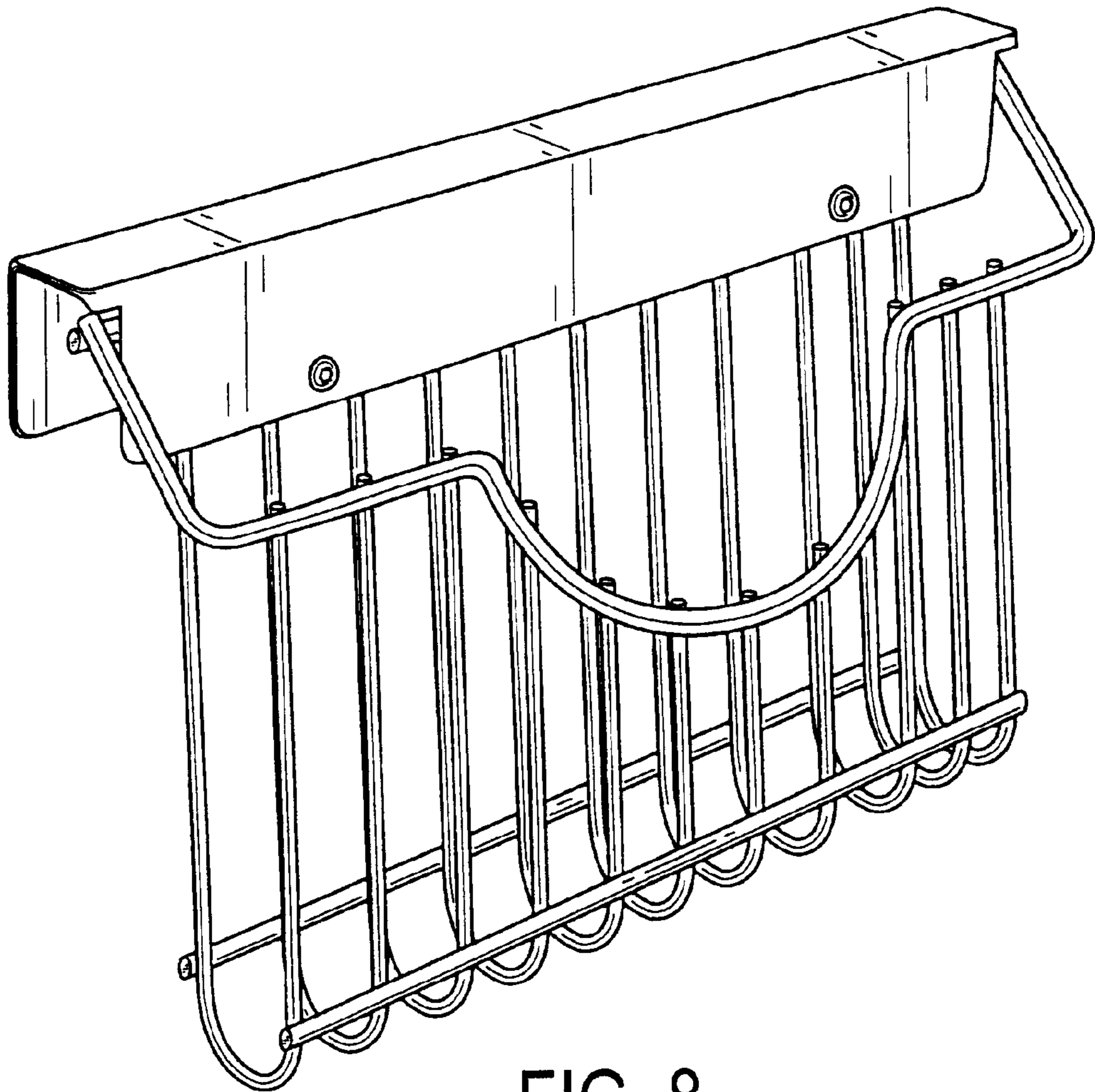


FIG. 8

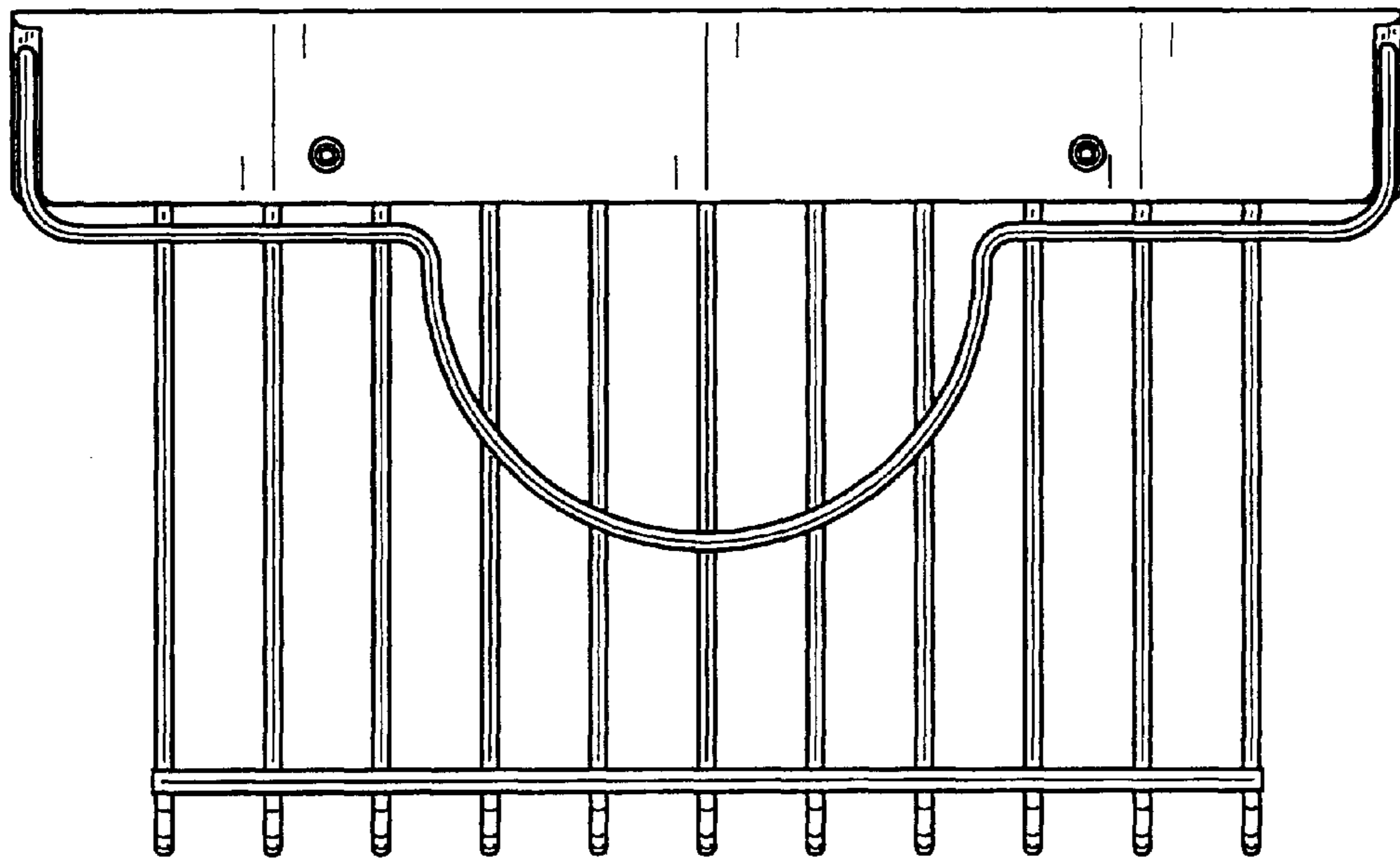


FIG. 9

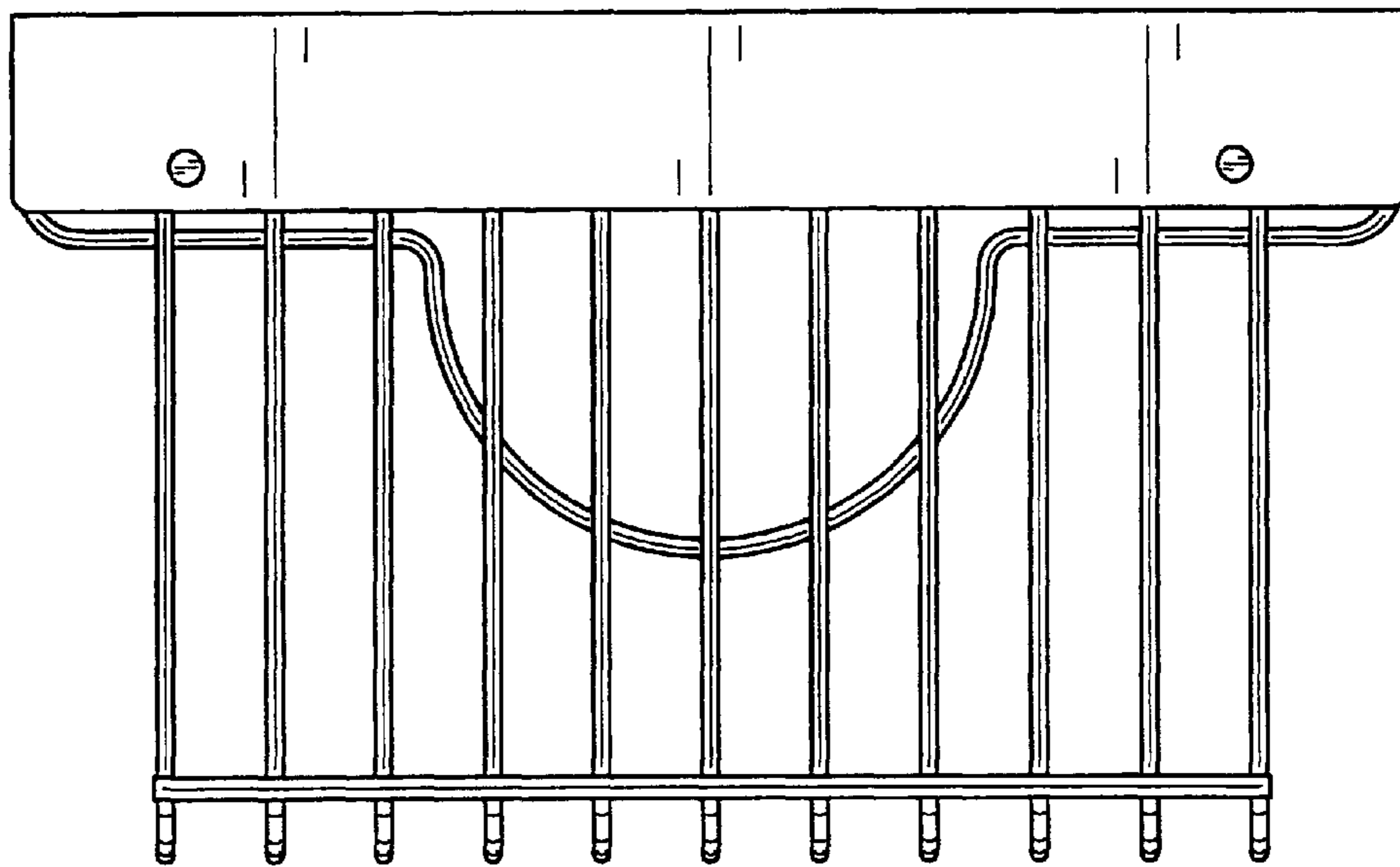


FIG. 10

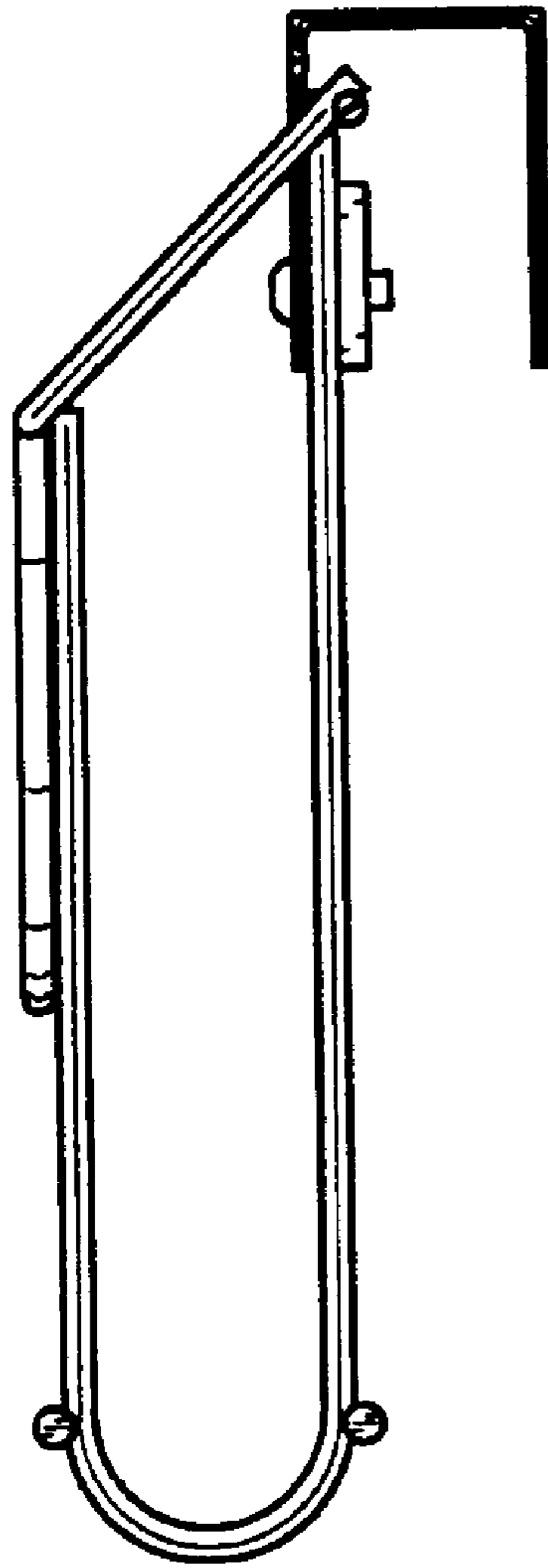


FIG. 11

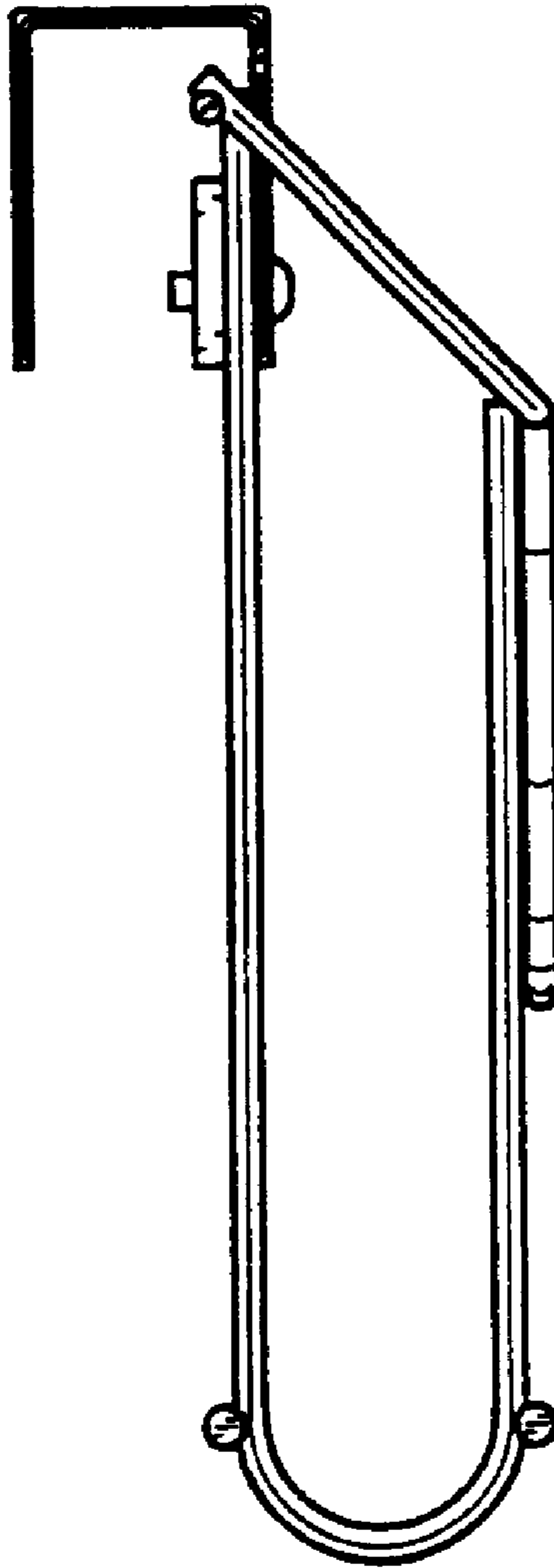


FIG. 12

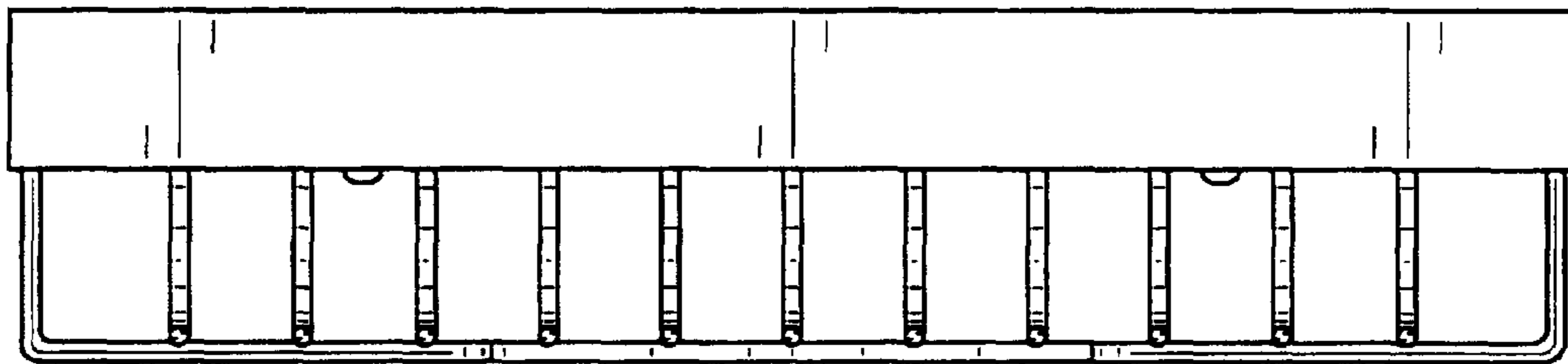


FIG. 13

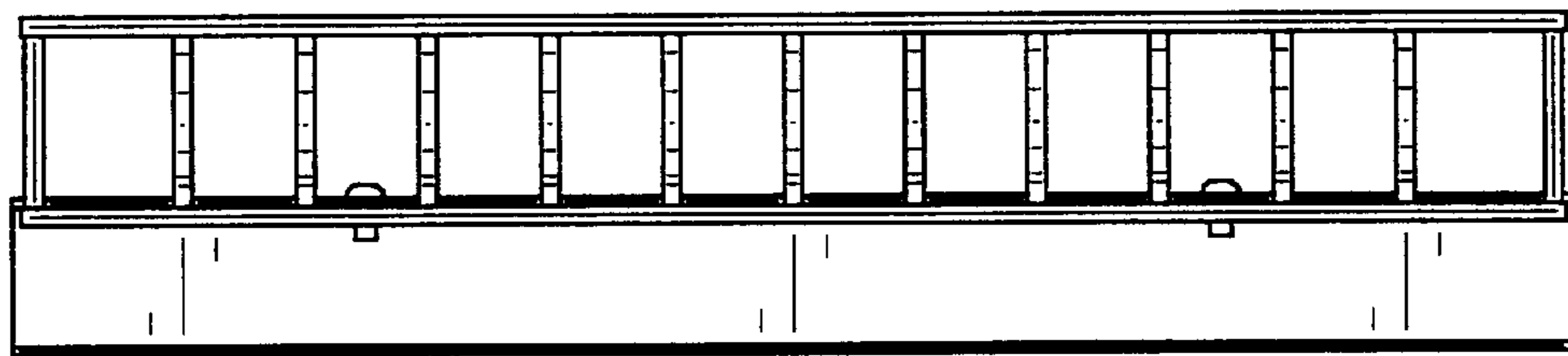


FIG. 14



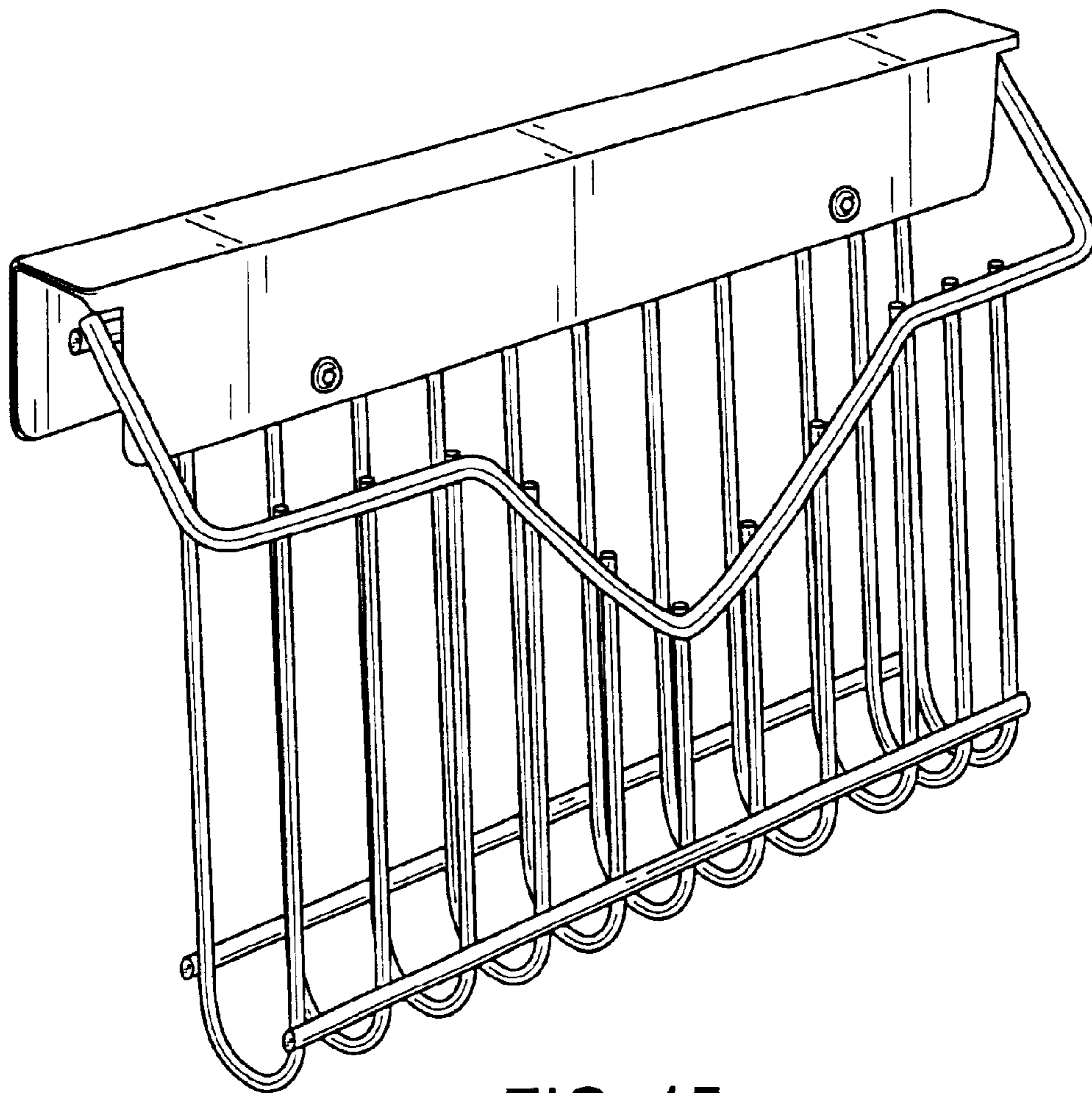


FIG. 15

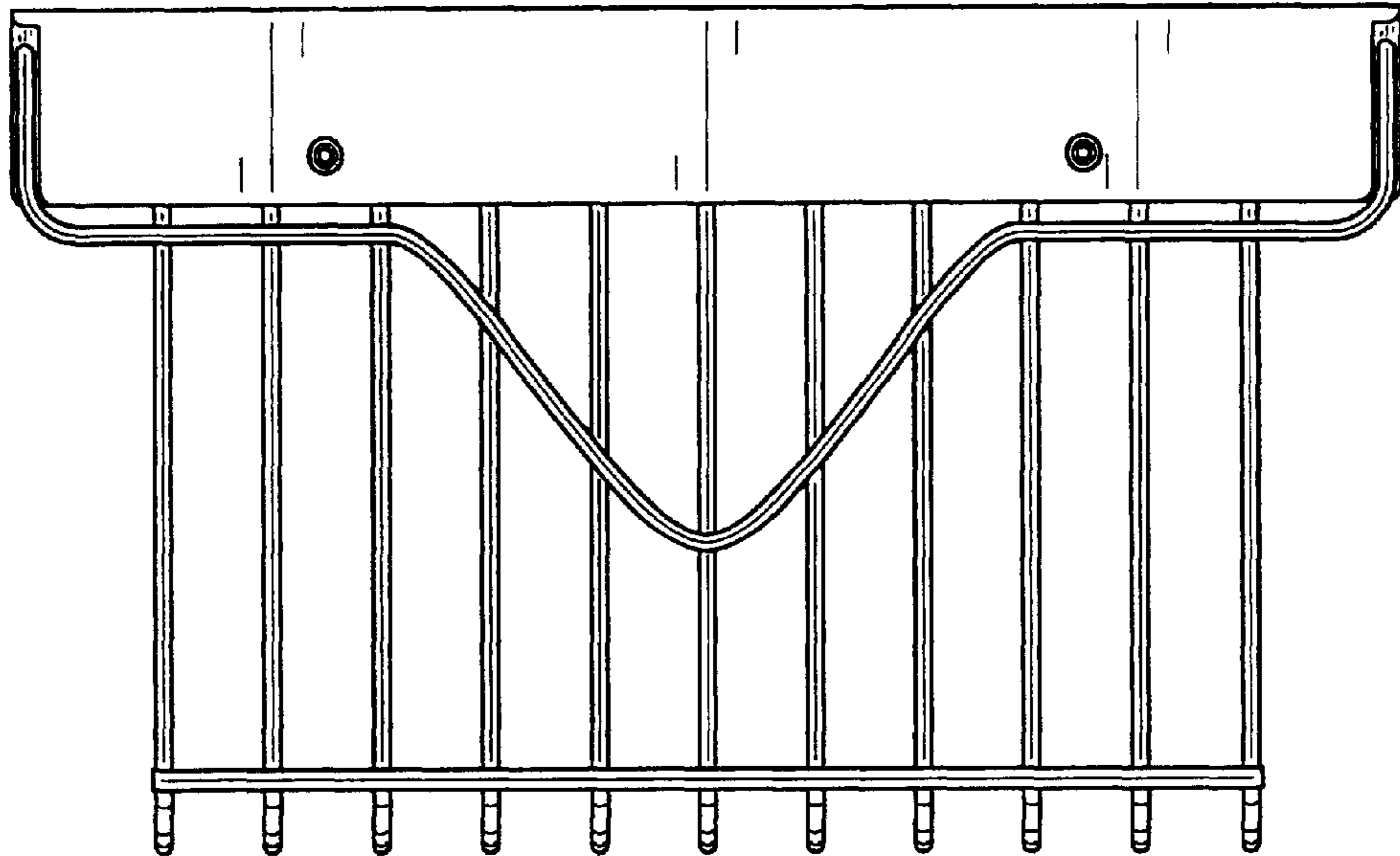


FIG. 16

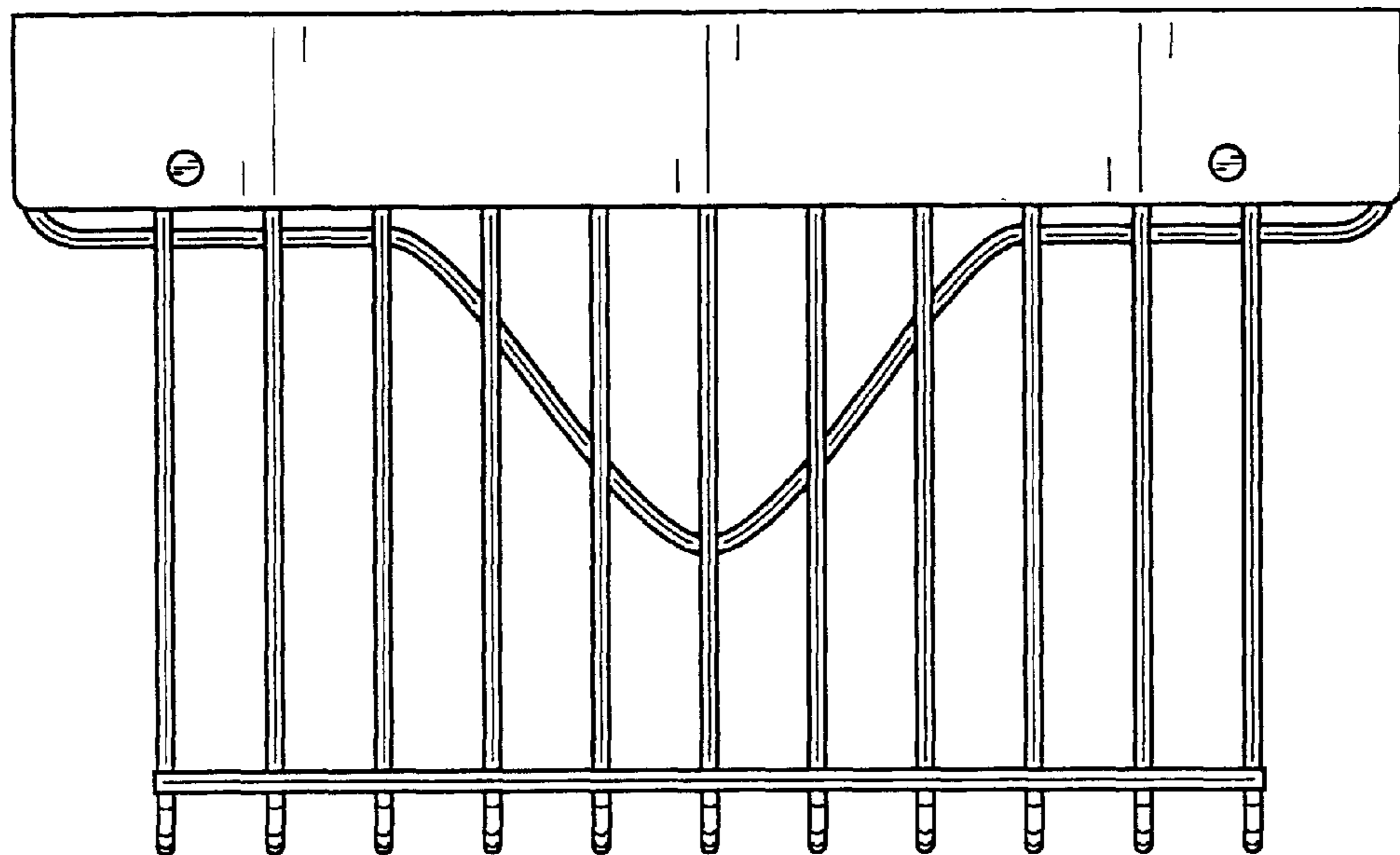


FIG. 17

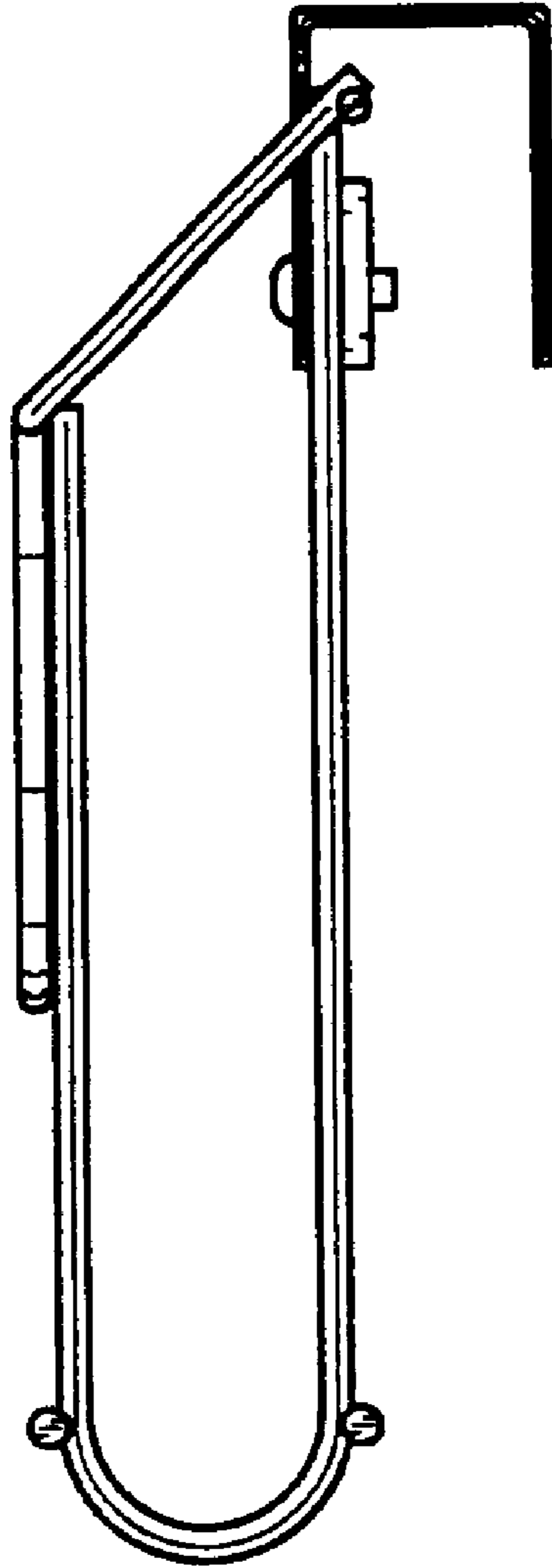


FIG. 18

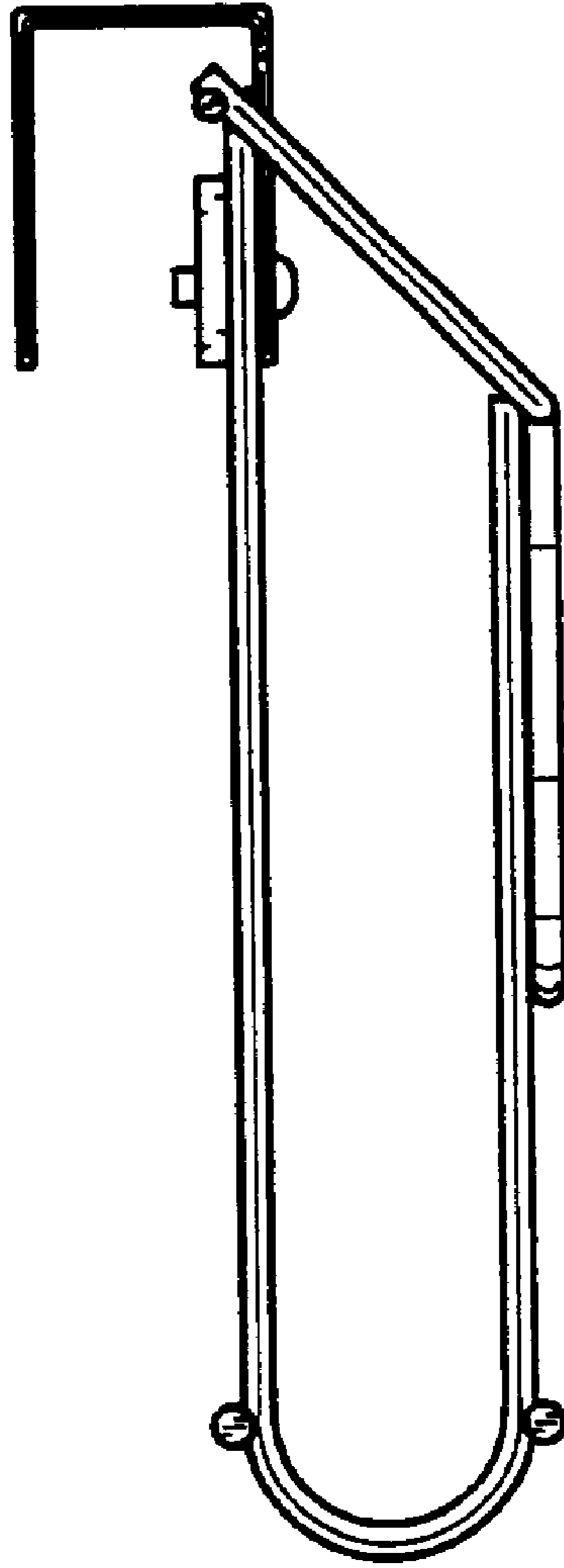


FIG. 19

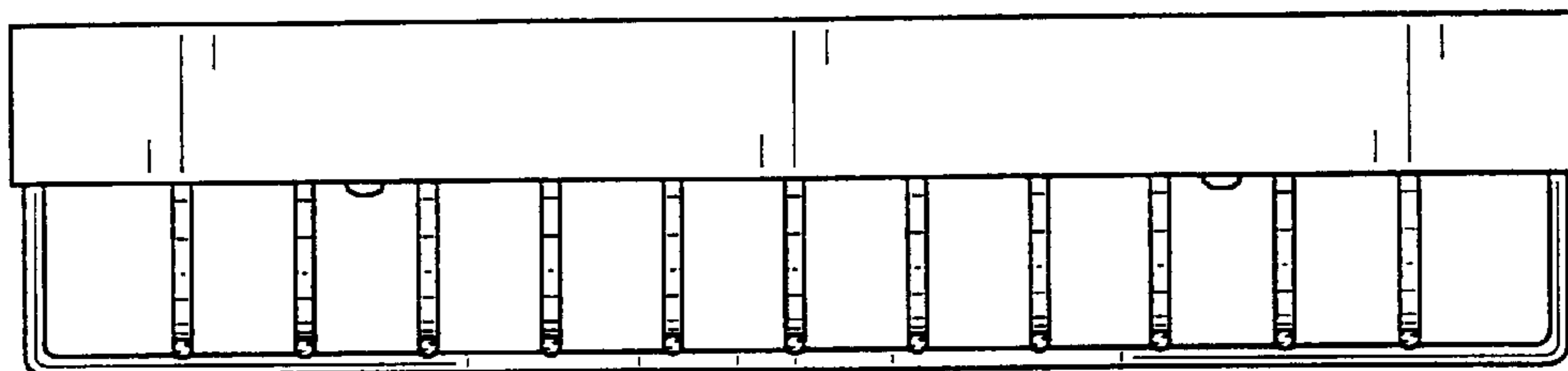


FIG. 20

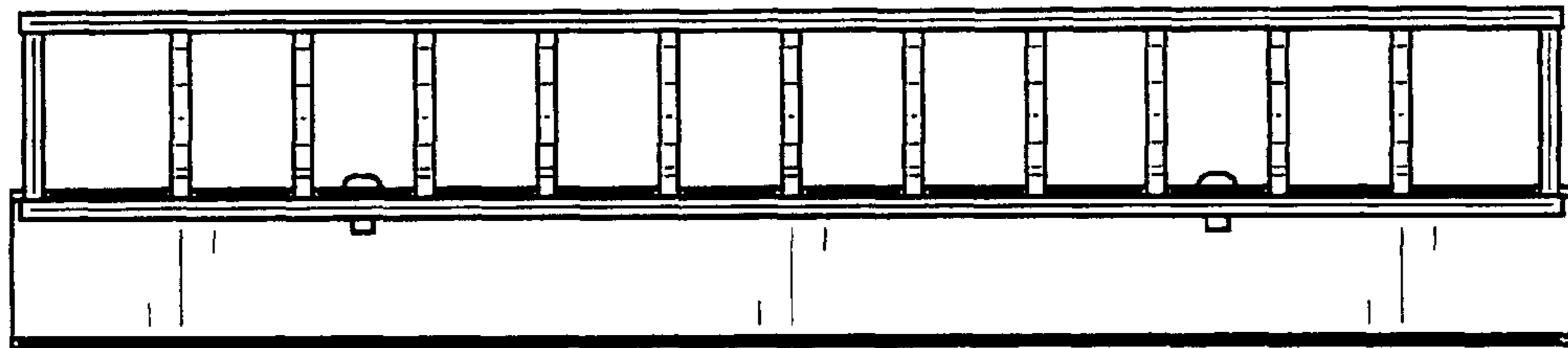


FIG. 21

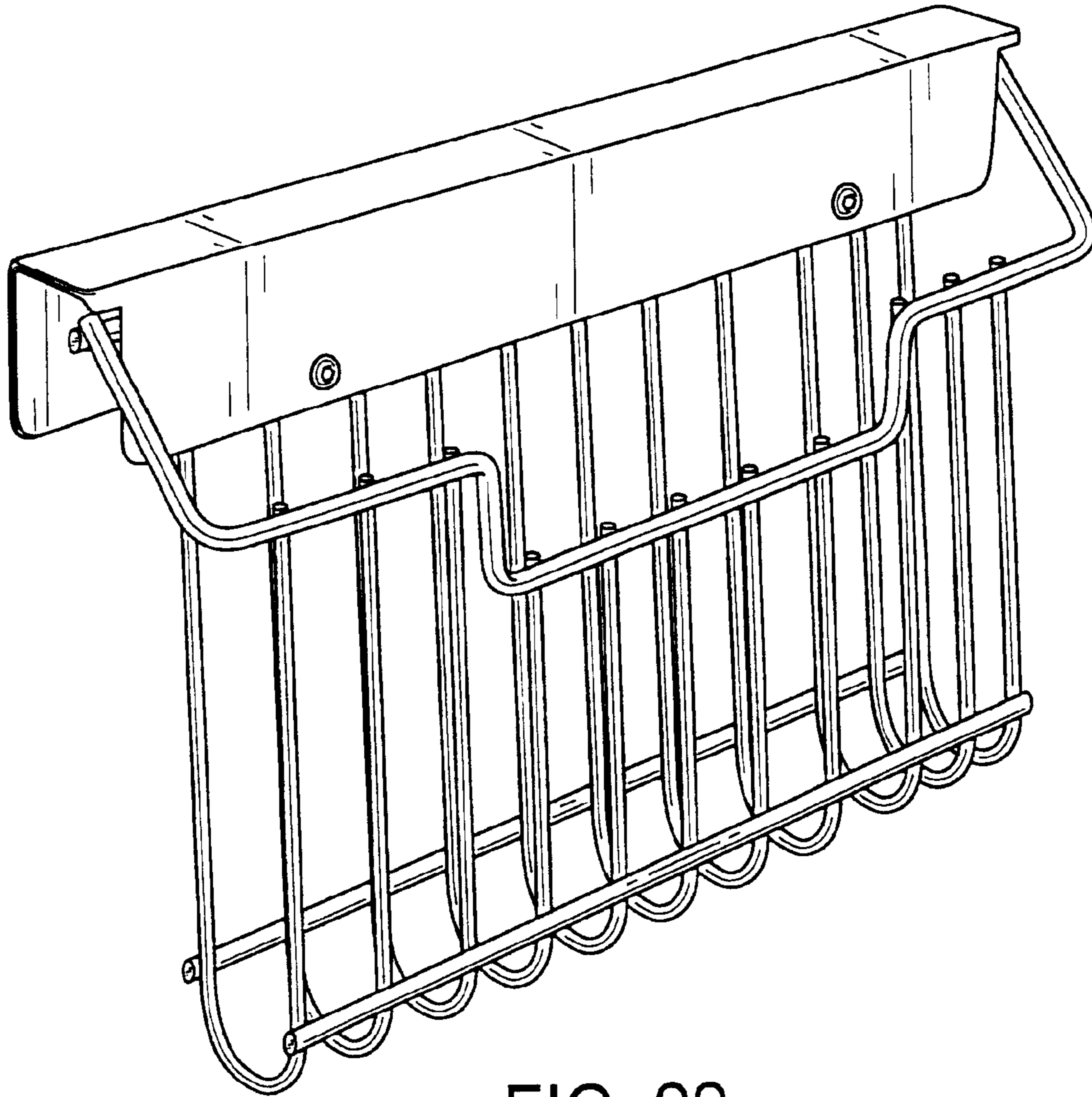


FIG. 22



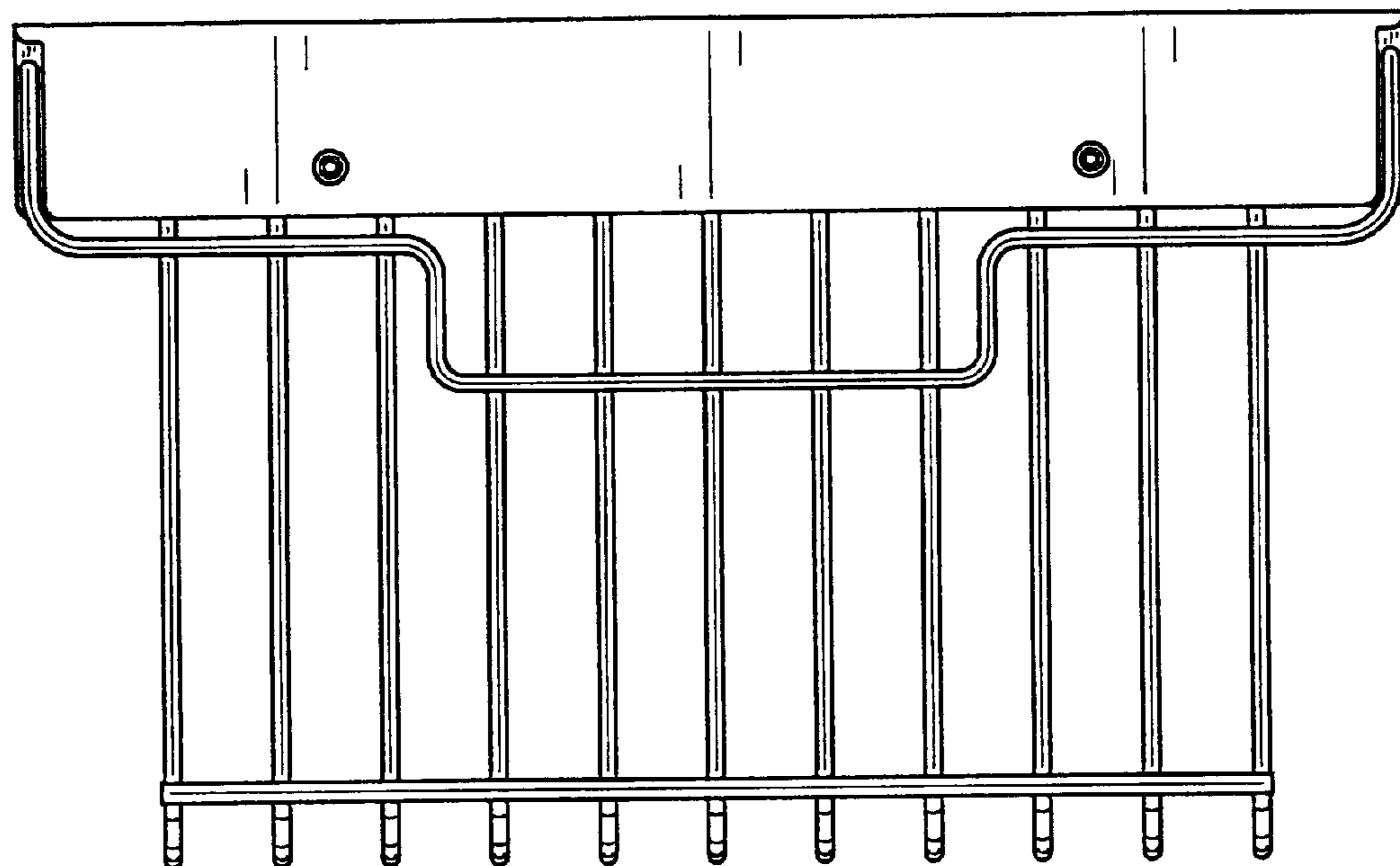


FIG. 23

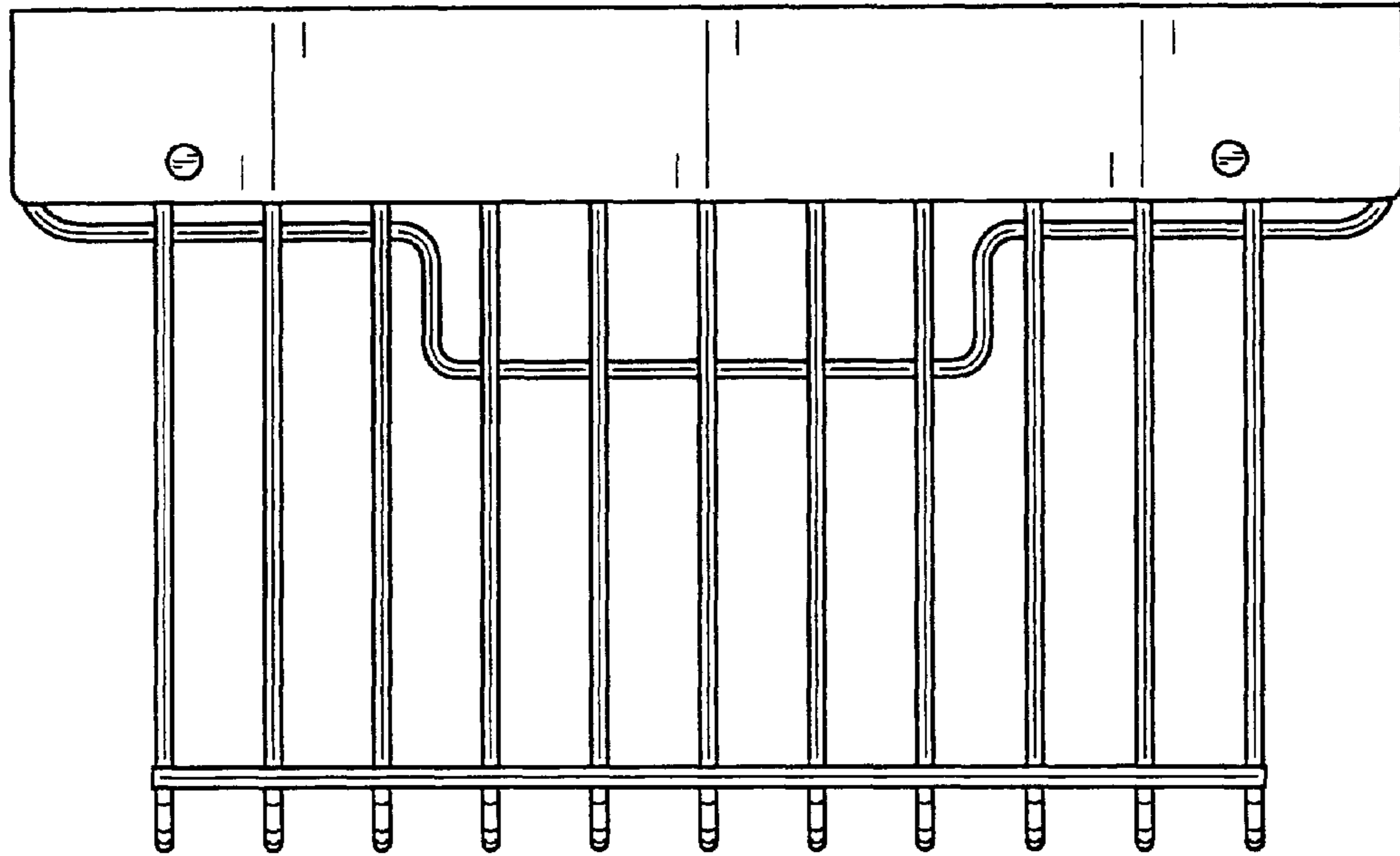


FIG. 24

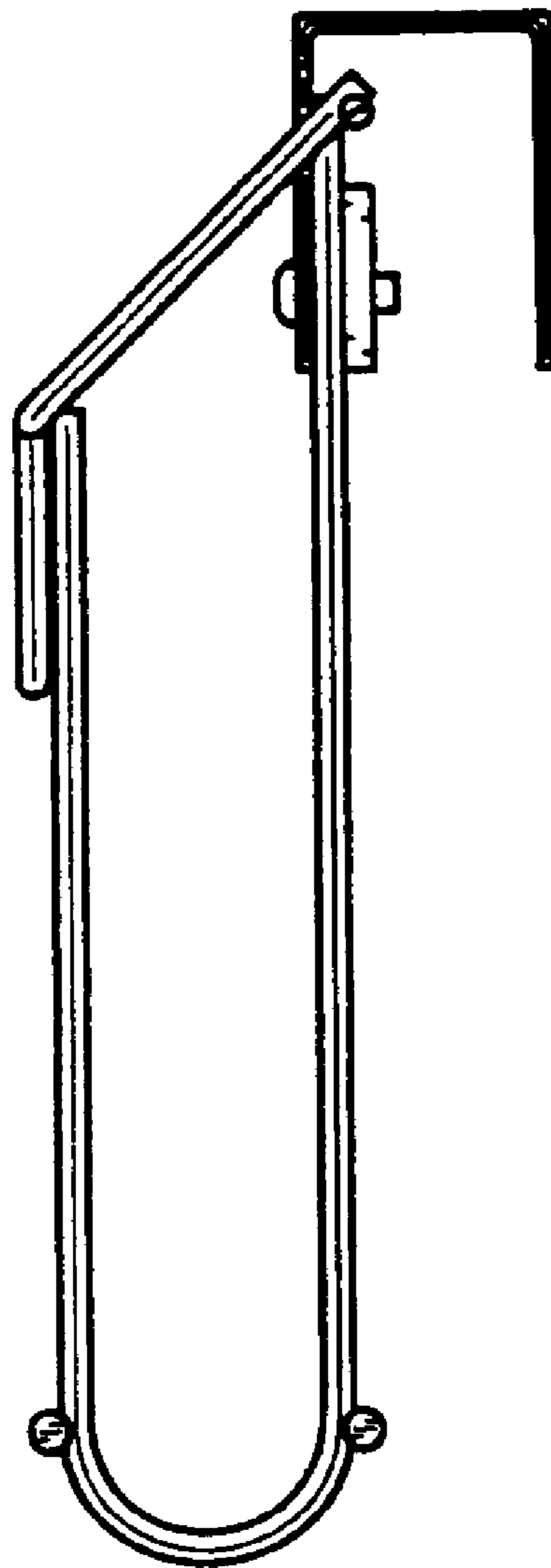


FIG. 25

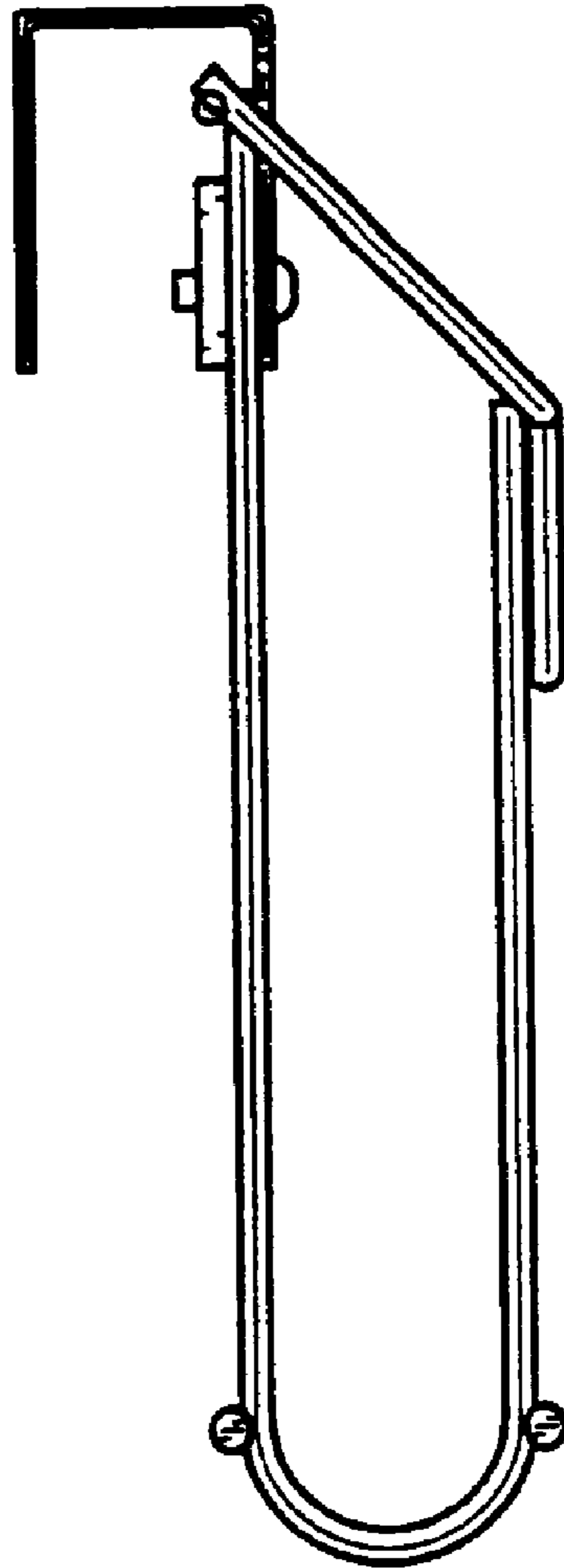


FIG. 26

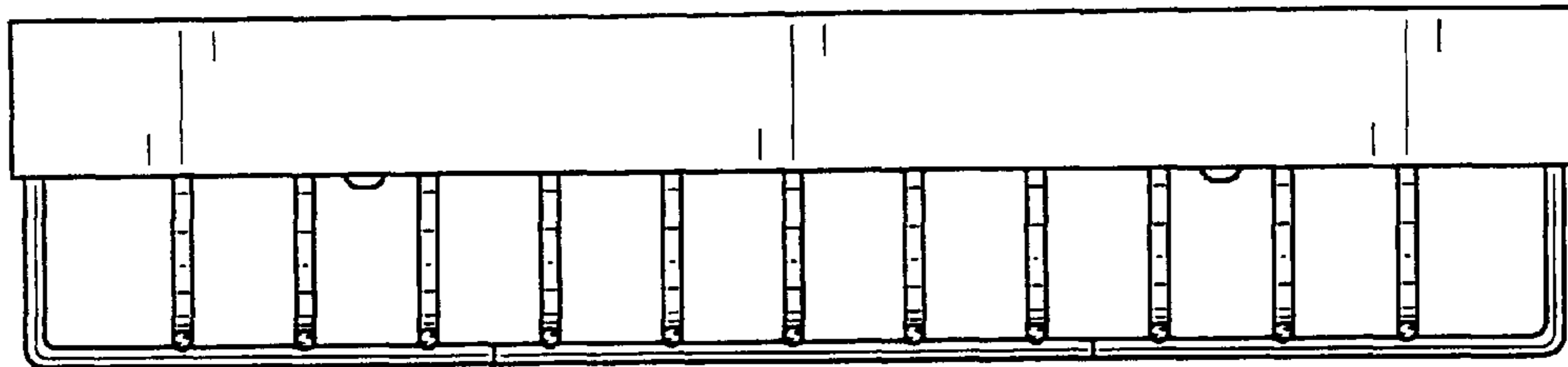


FIG. 27

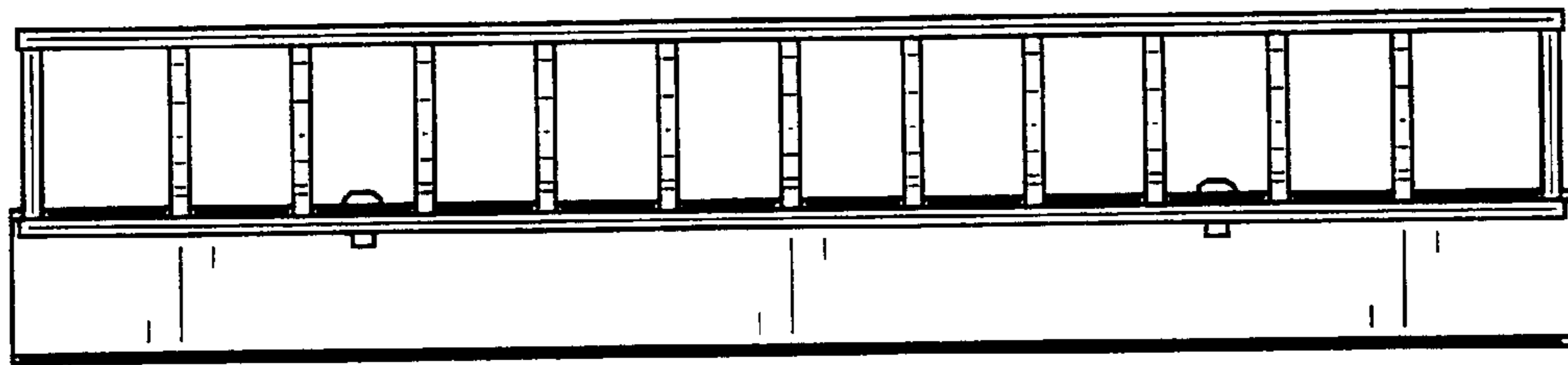


FIG. 28

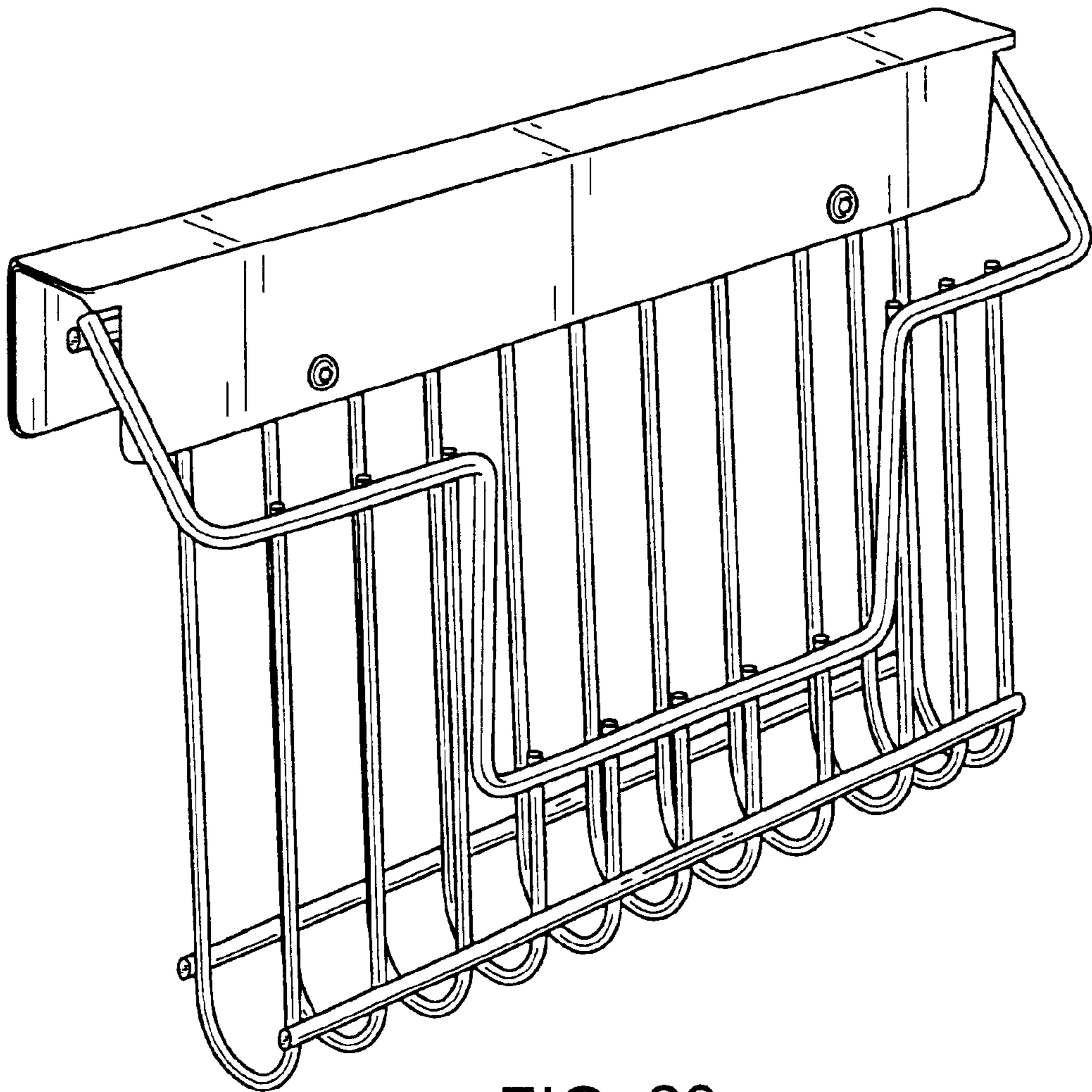


FIG. 29

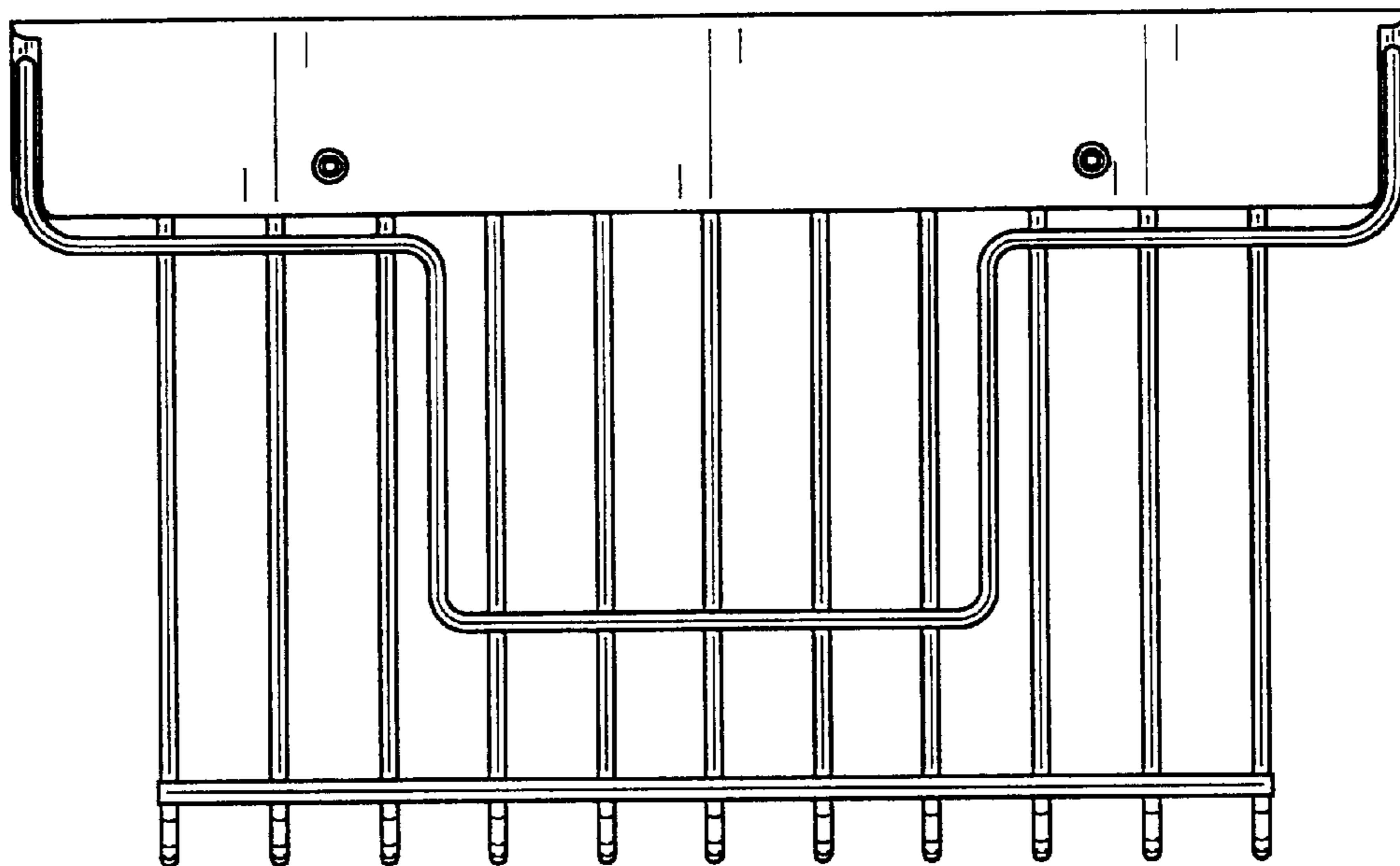


FIG. 30



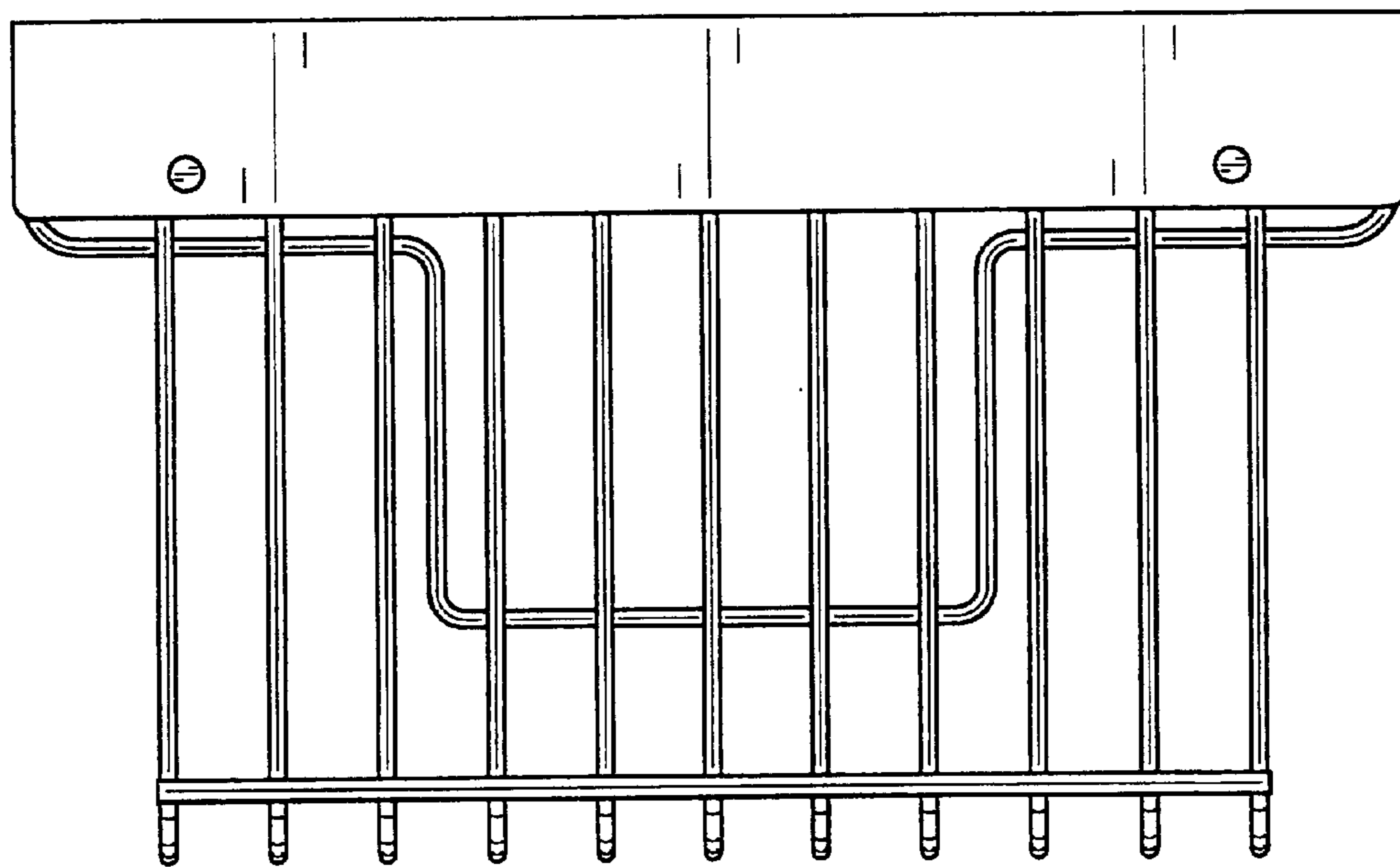


FIG. 31

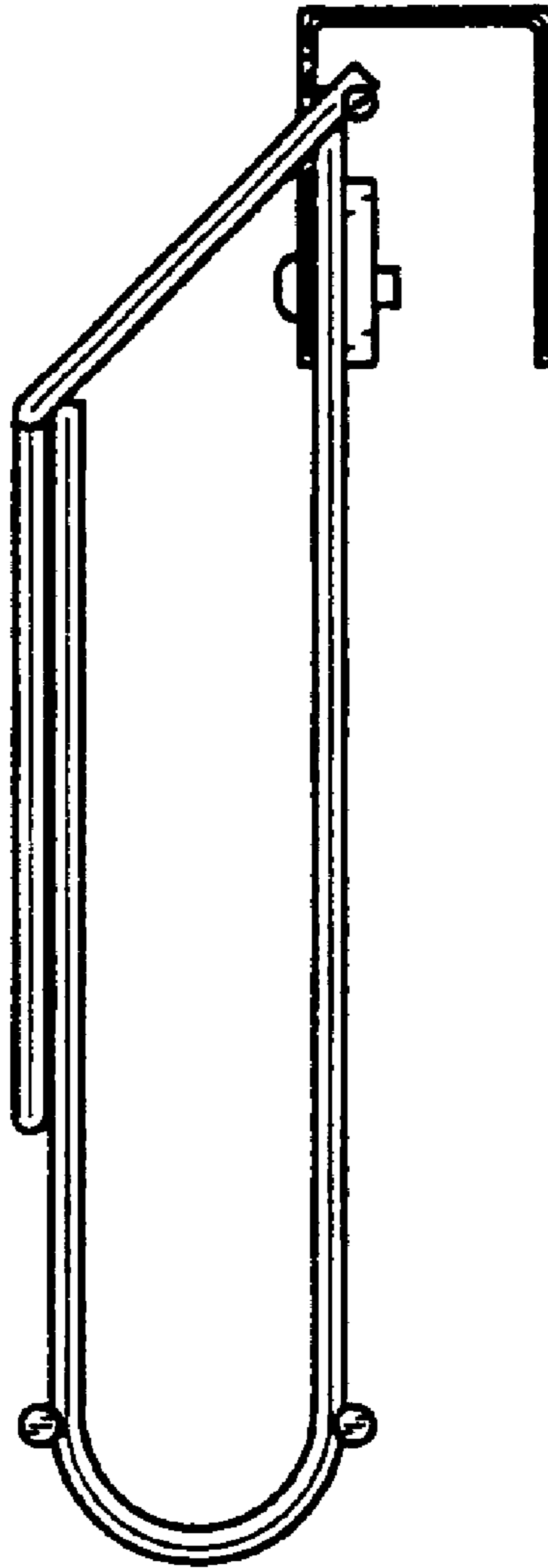


FIG. 32

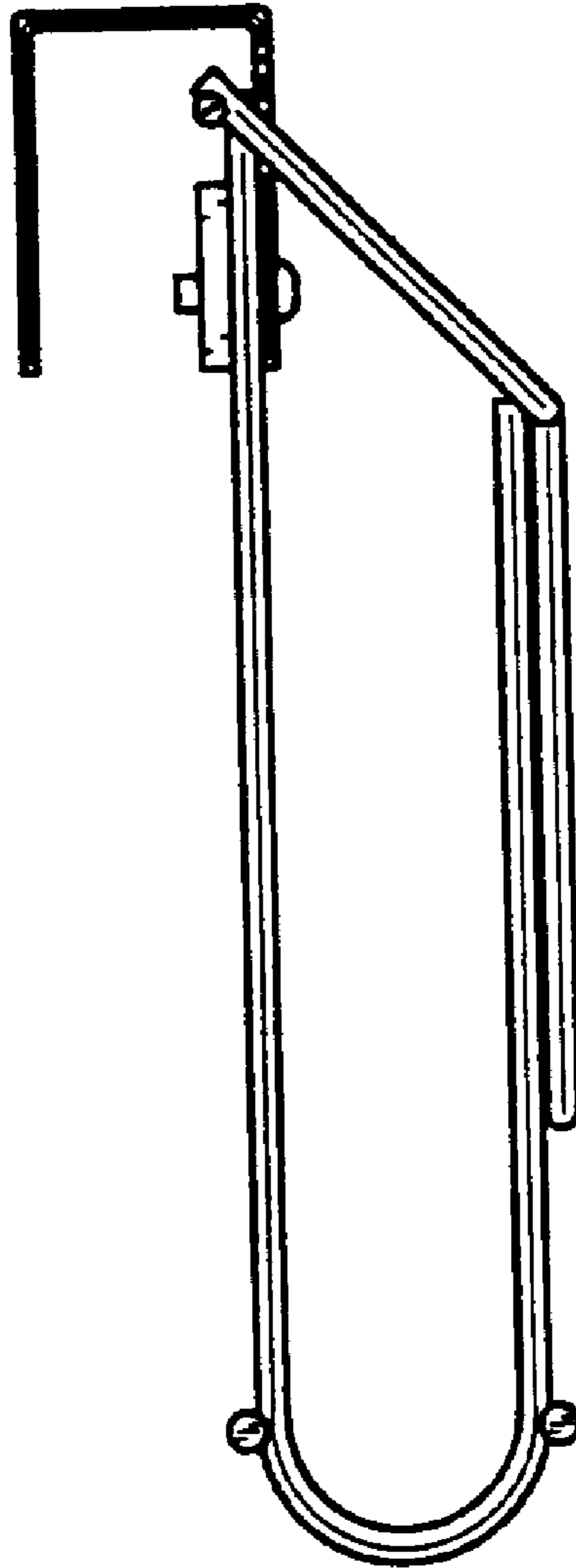


FIG. 33

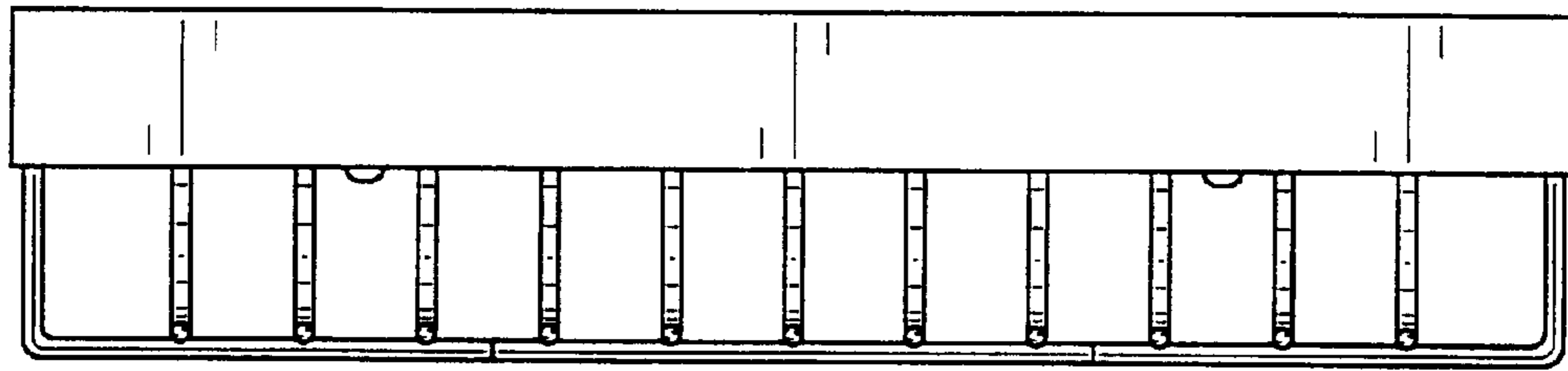


FIG. 34

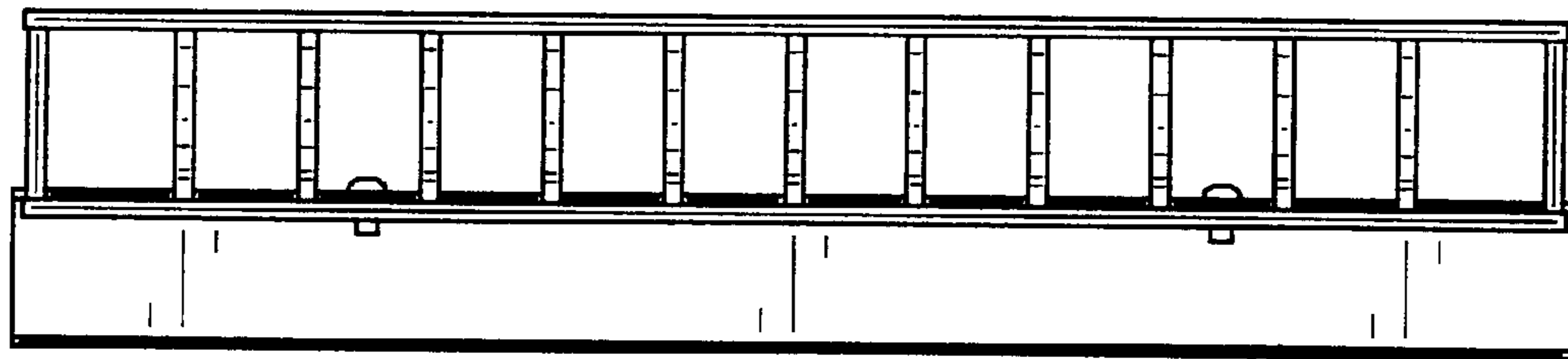


FIG. 35

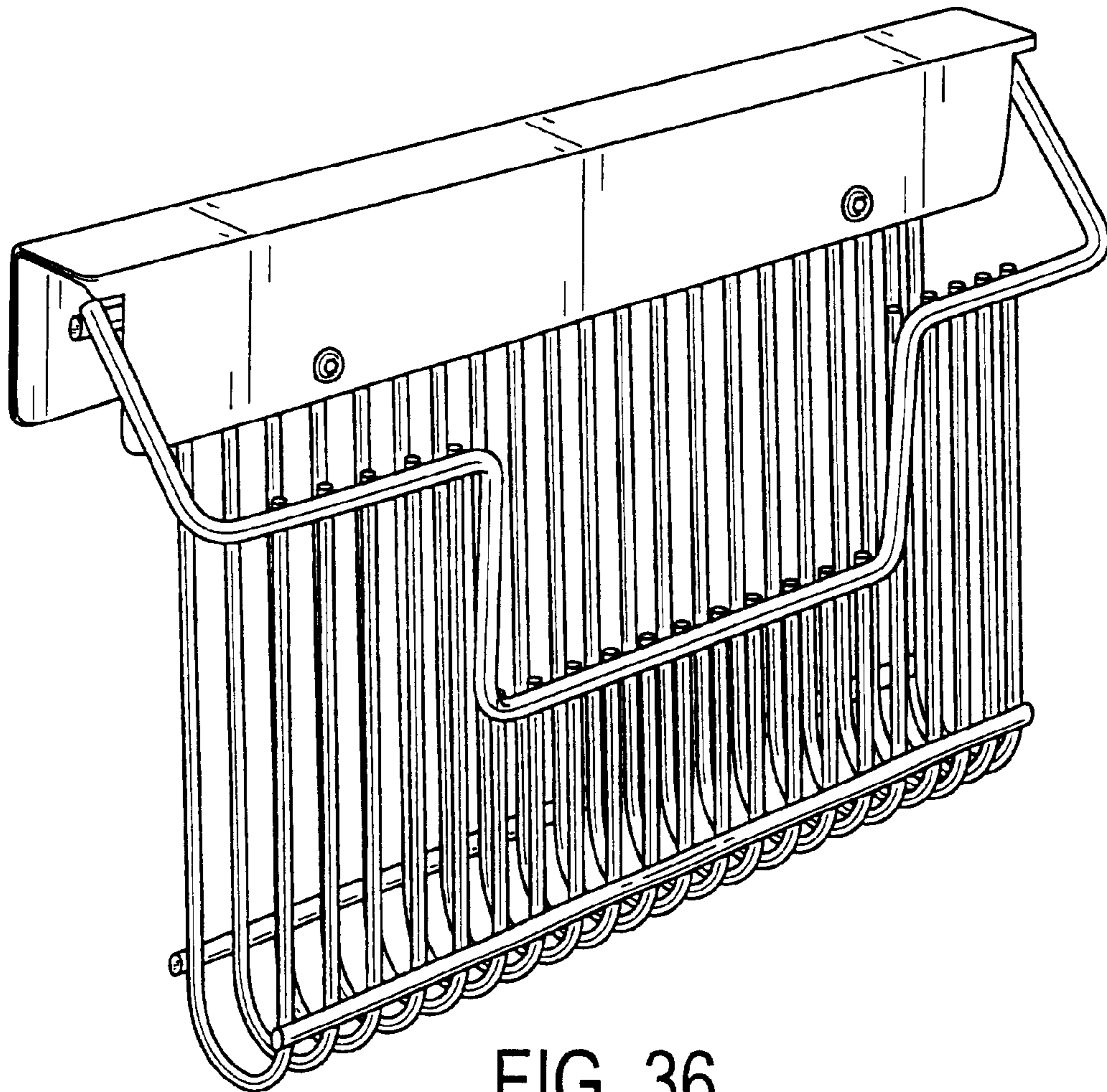


FIG. 36

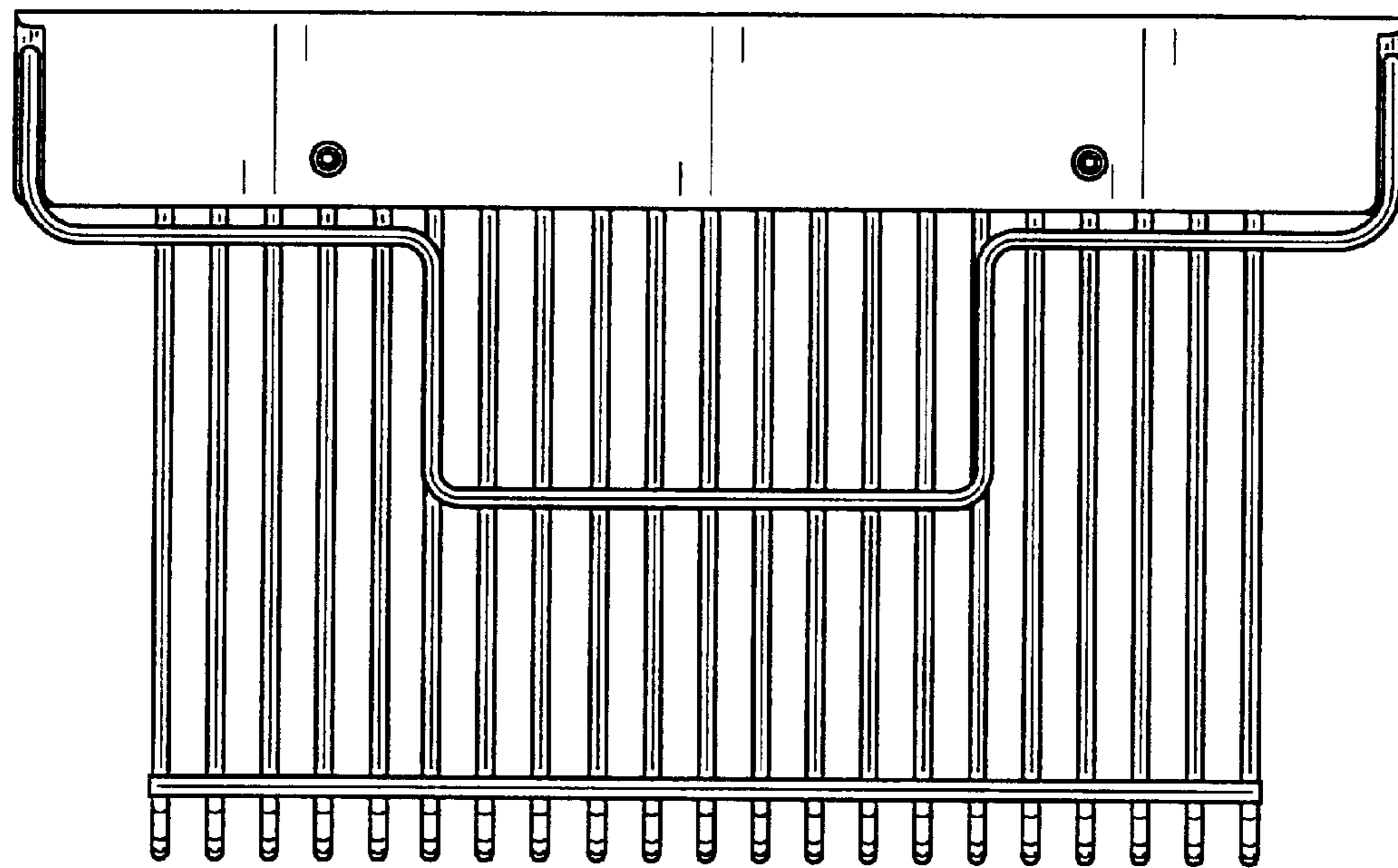


FIG. 37

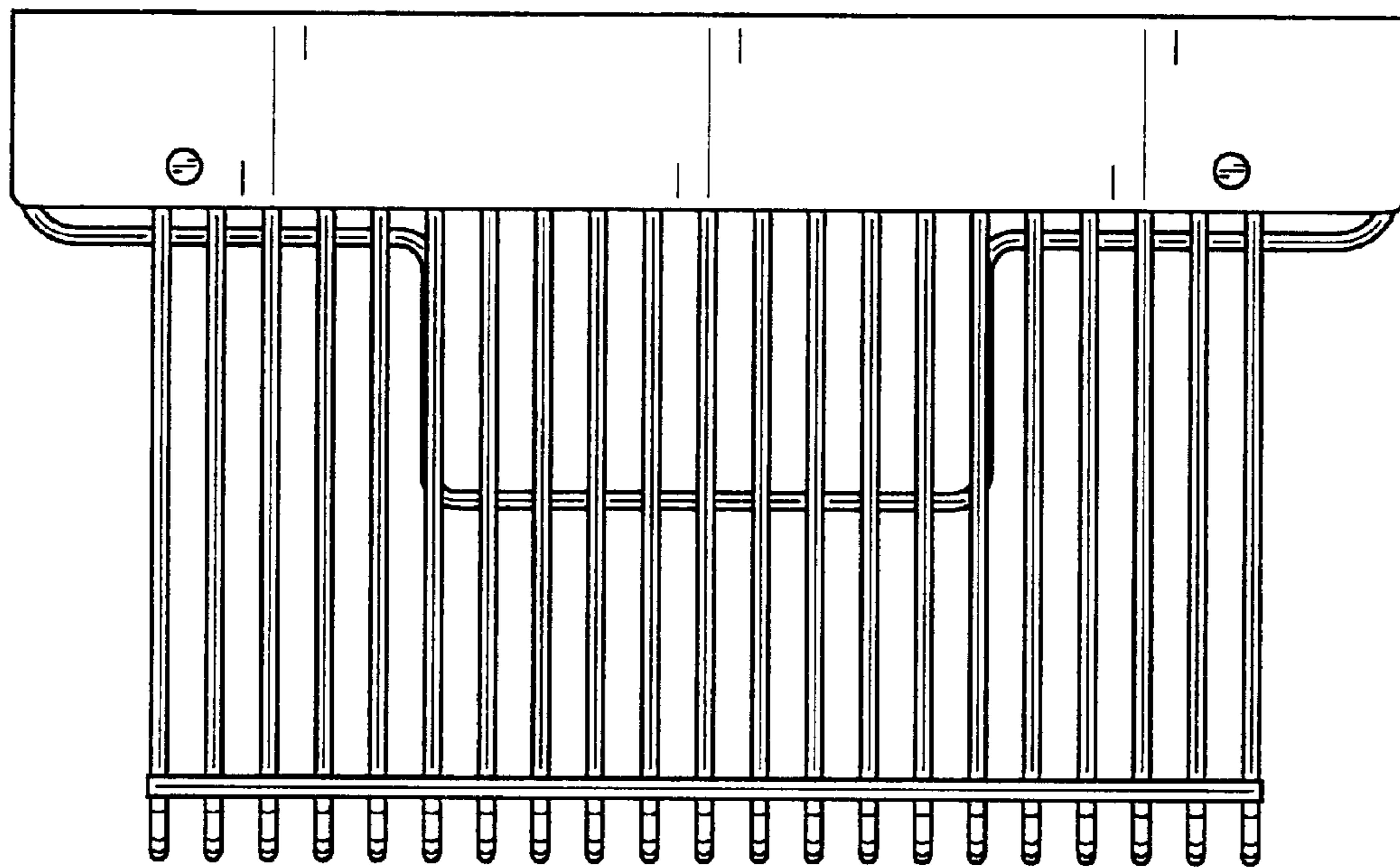


FIG. 38



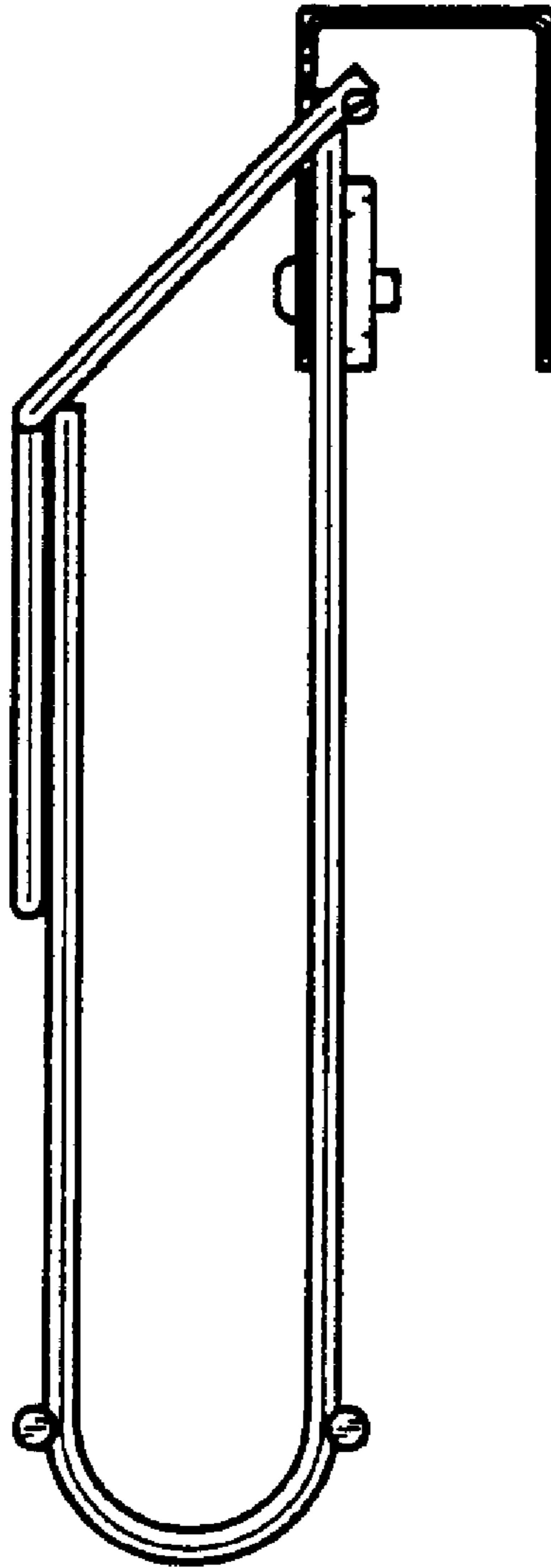


FIG. 39

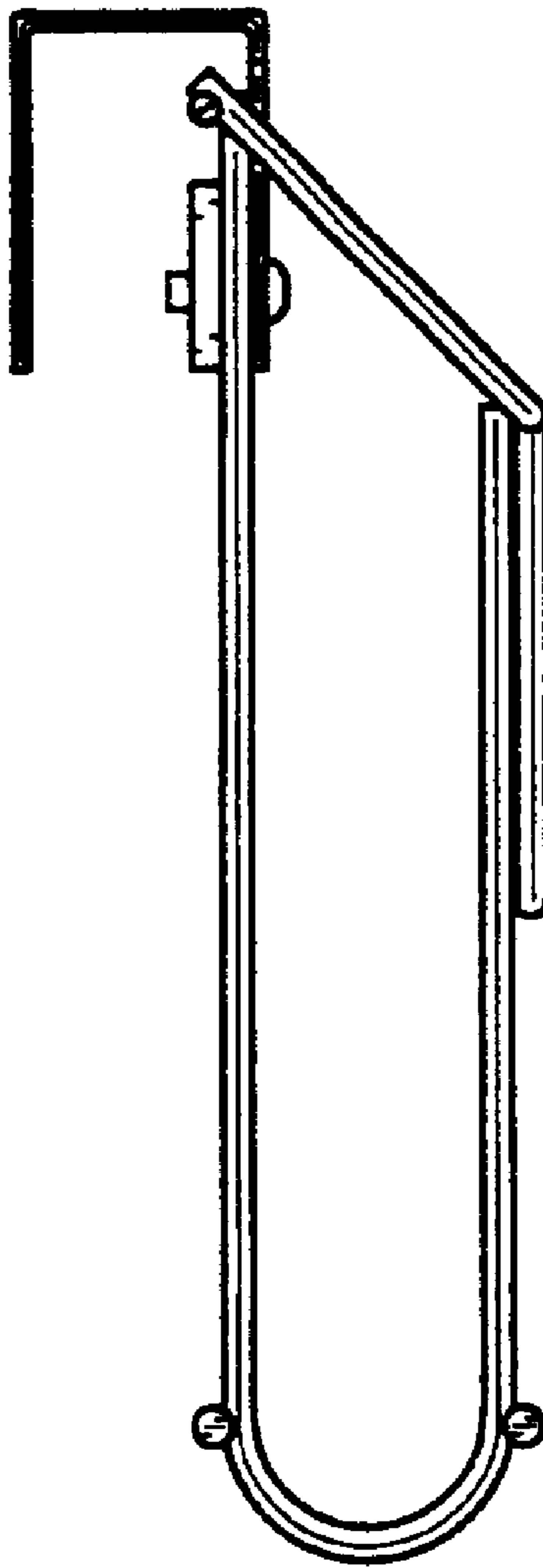


FIG. 40

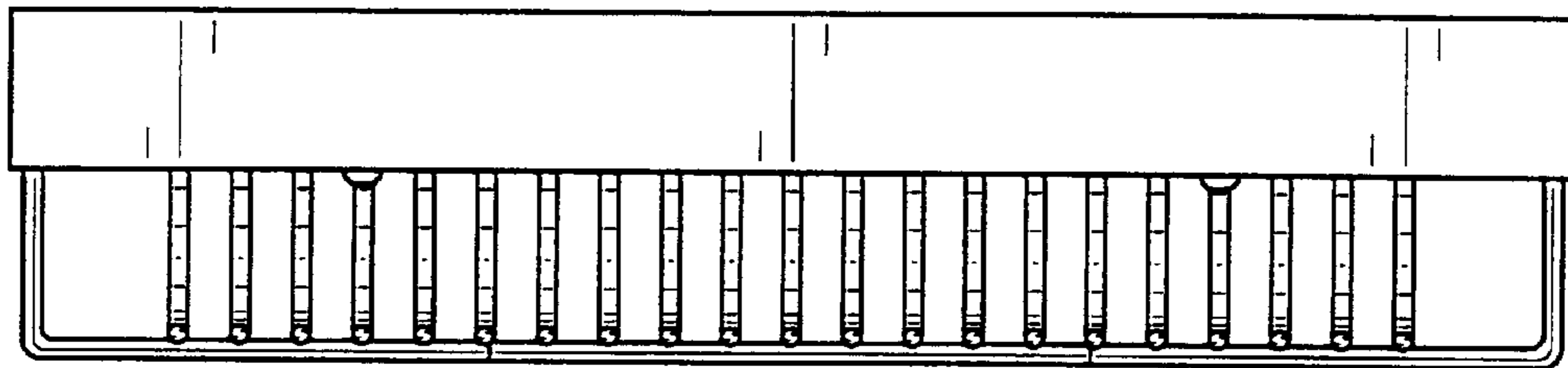


FIG. 41

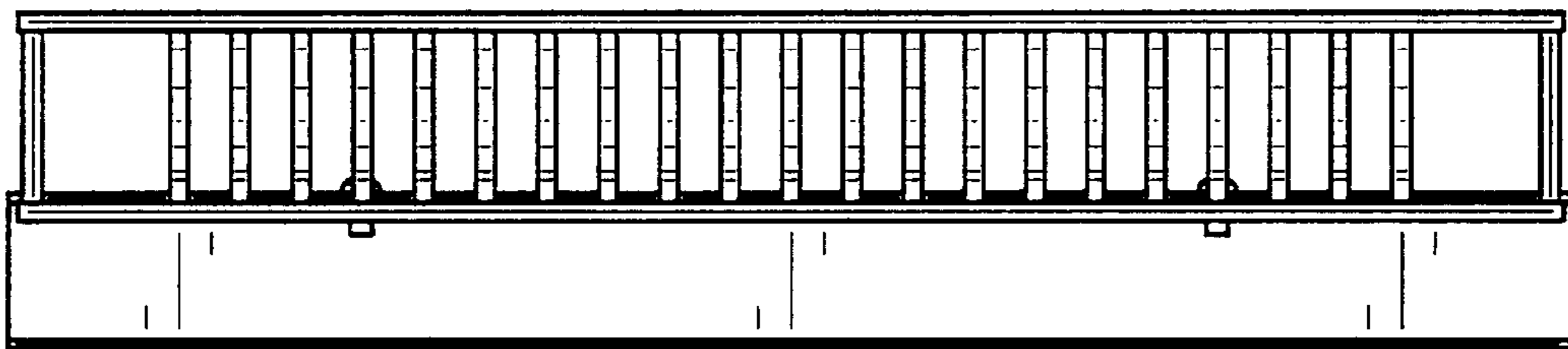


FIG. 42

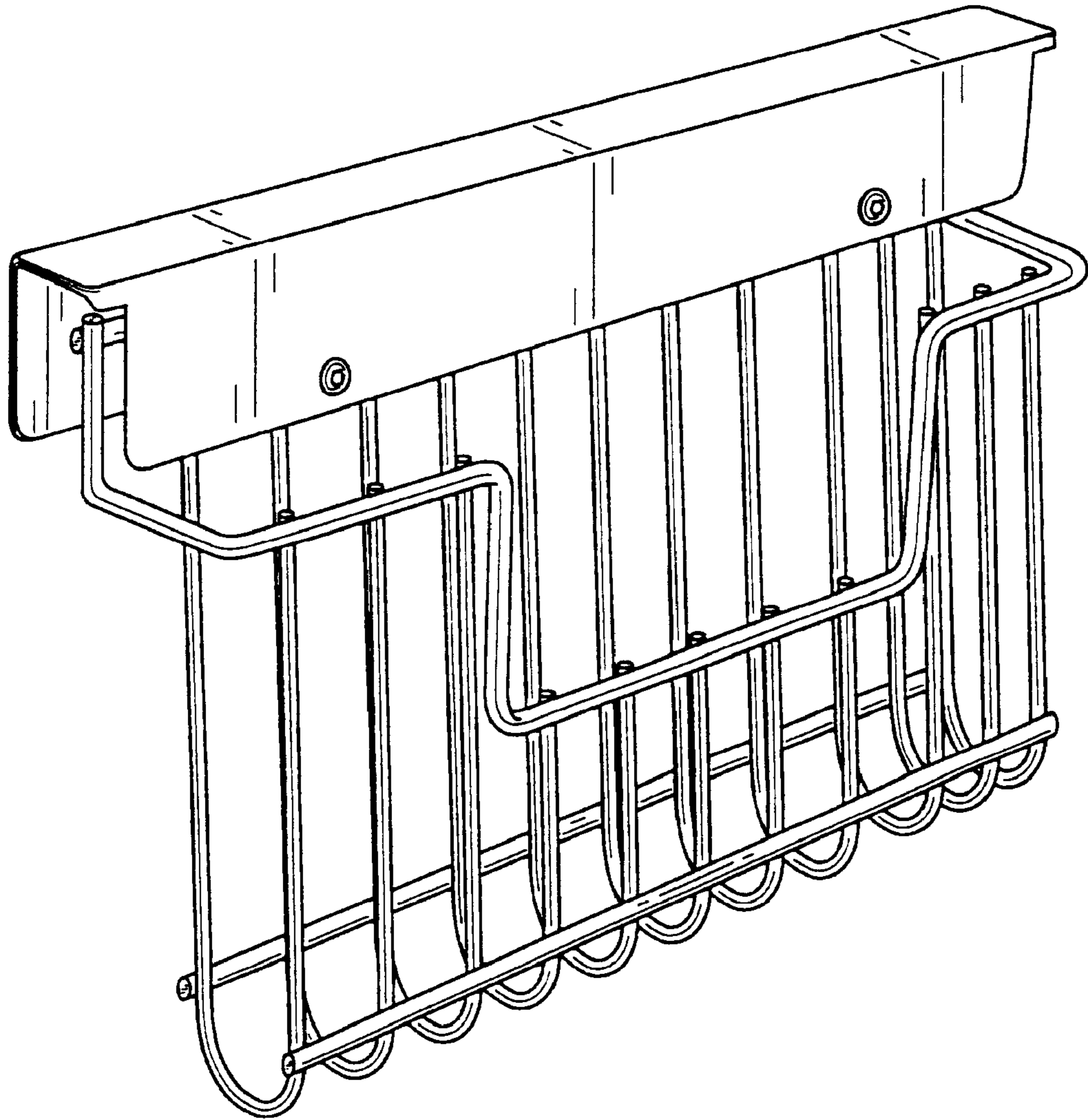


FIG. 43

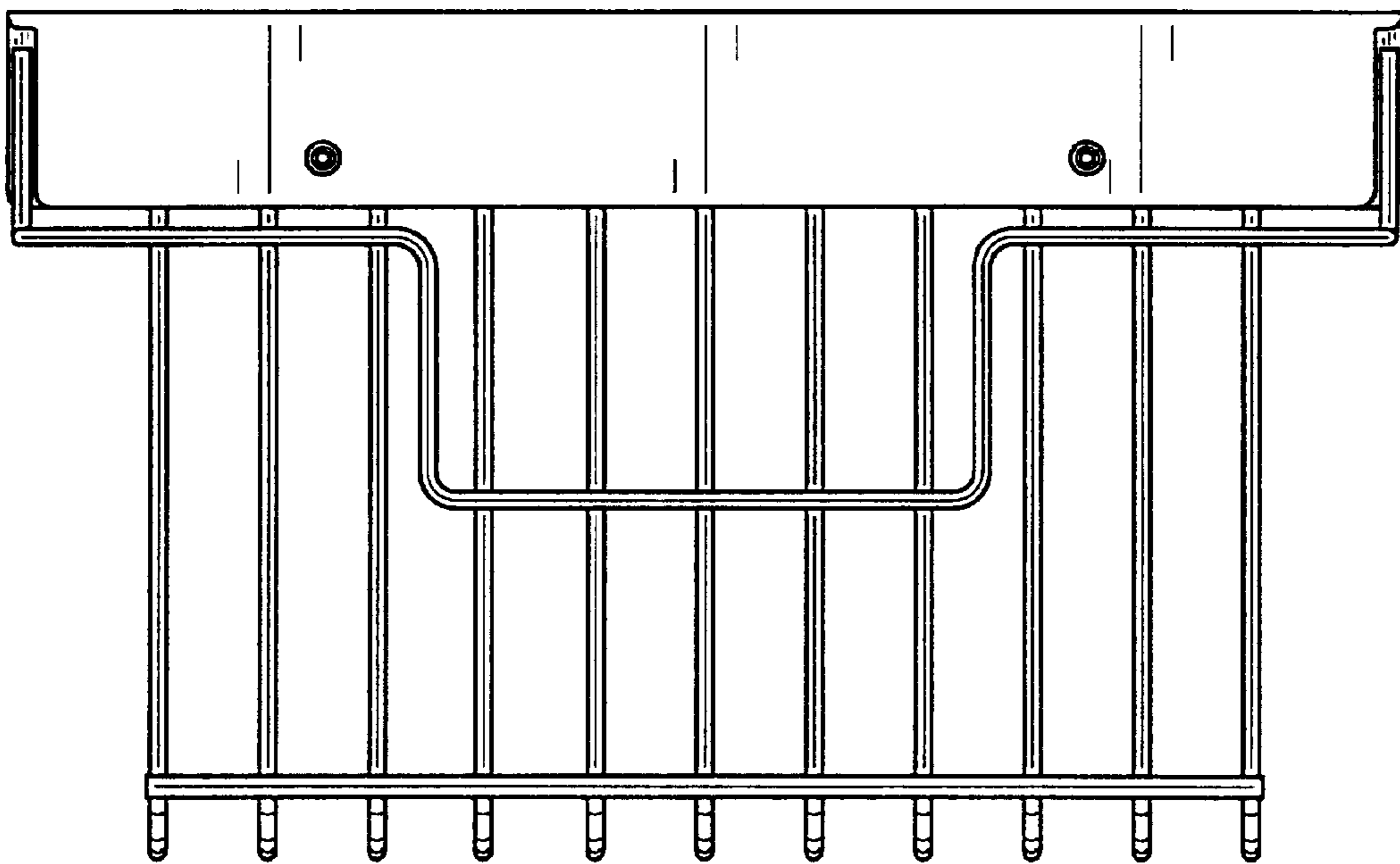


FIG. 44

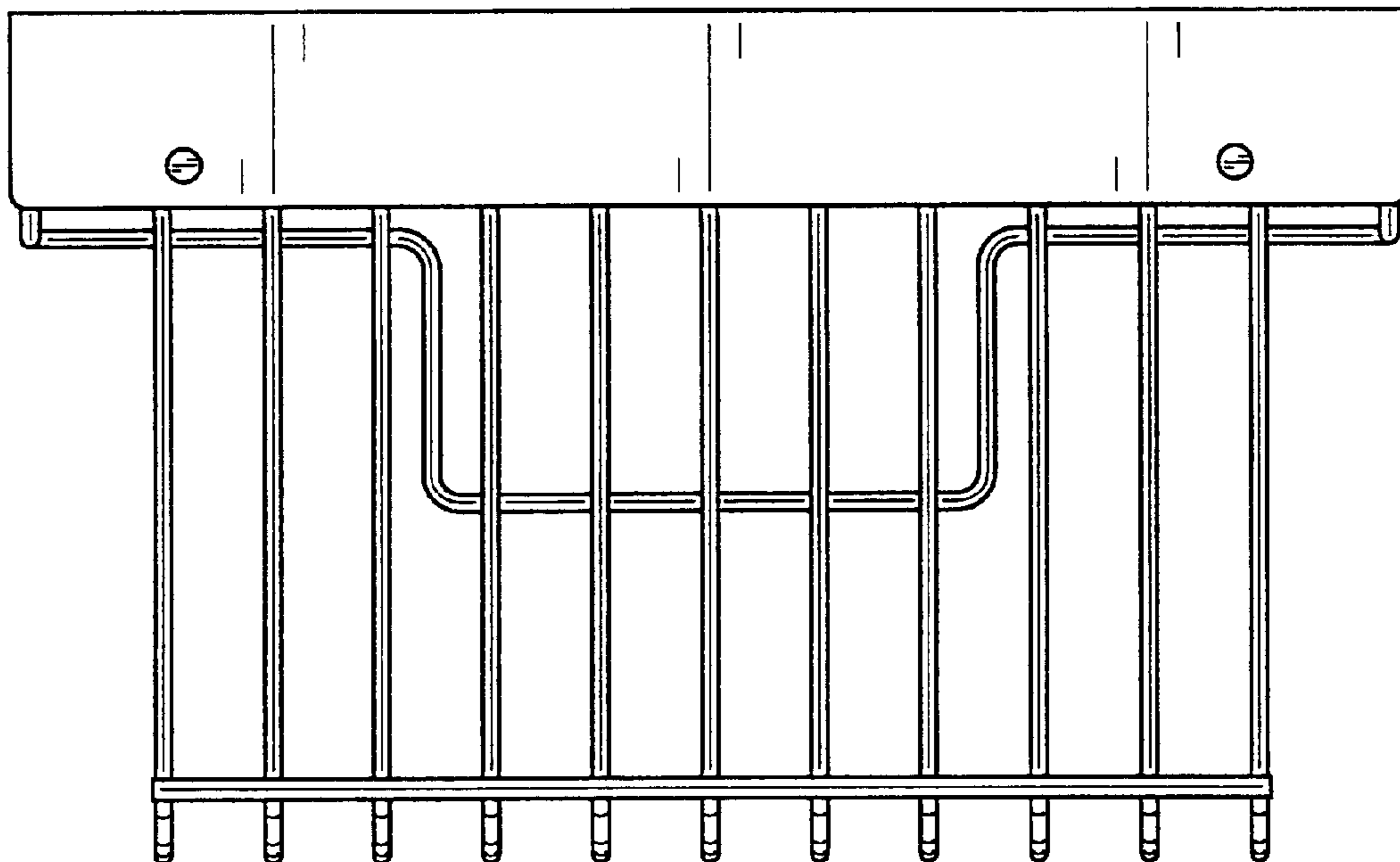


FIG. 45

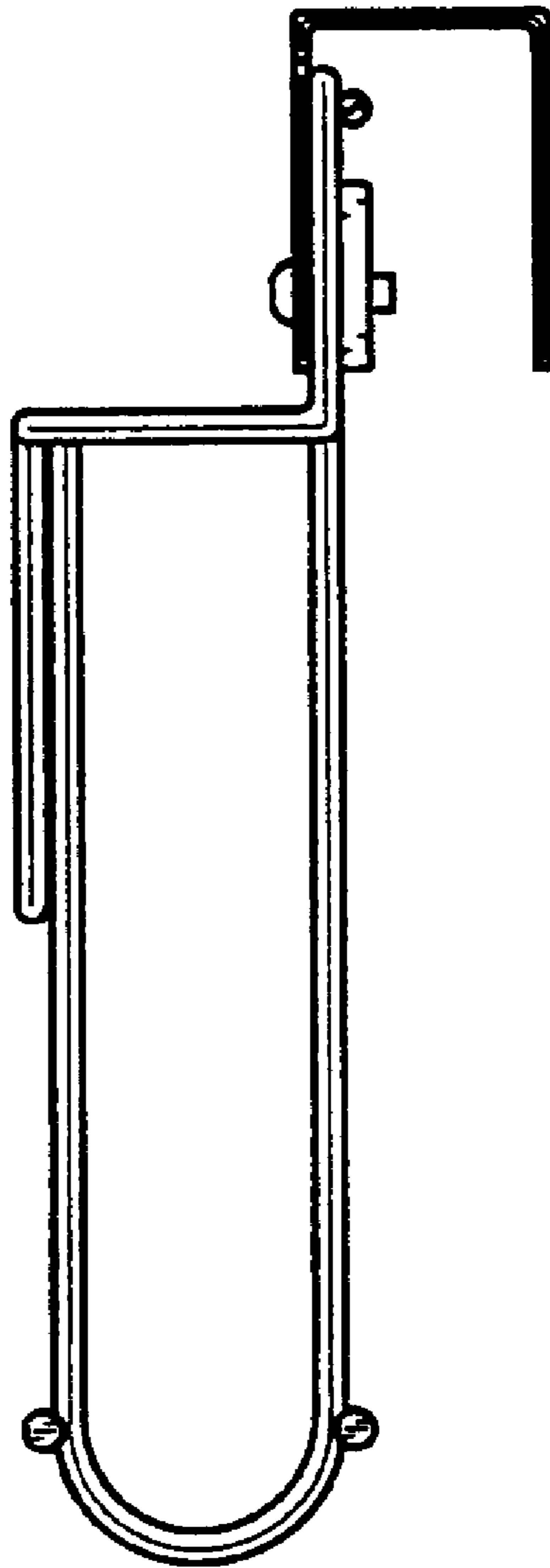


FIG. 46



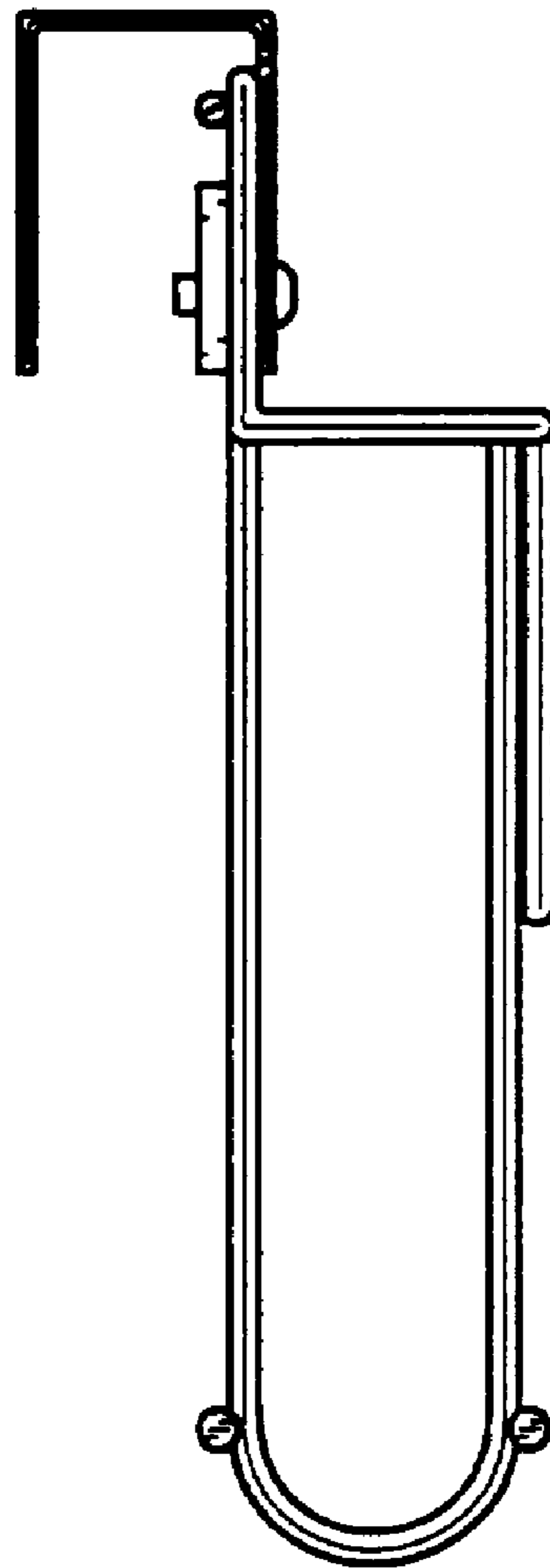


FIG. 47

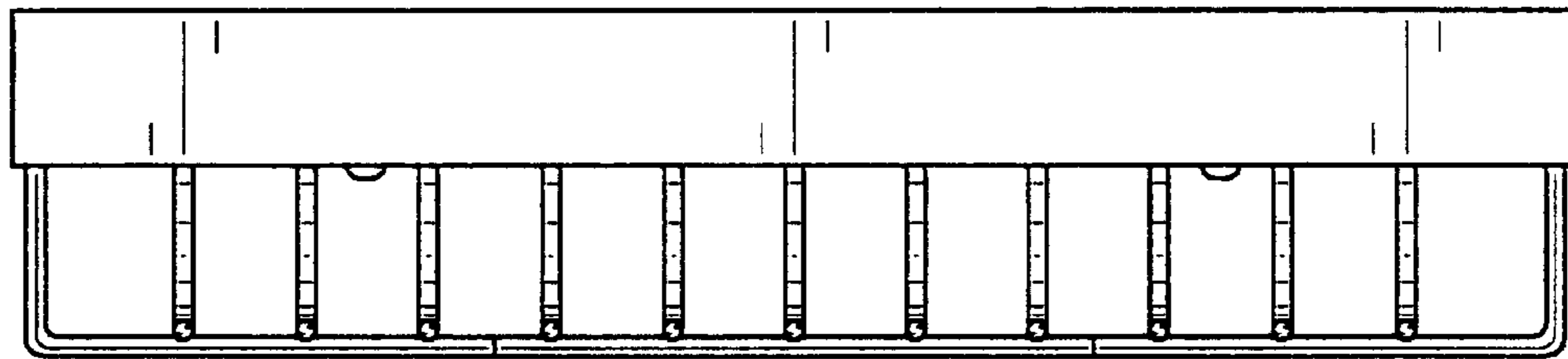


FIG. 48

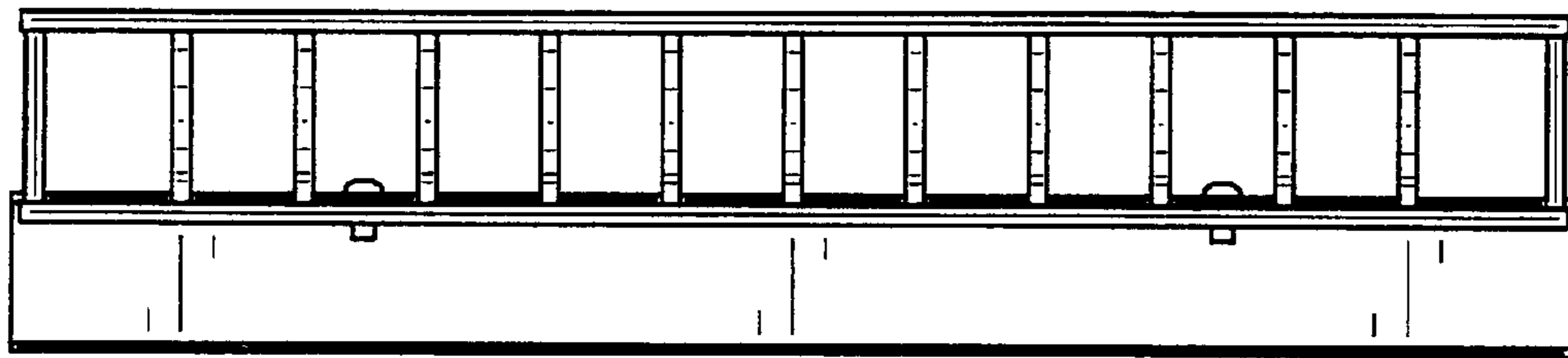


FIG. 49

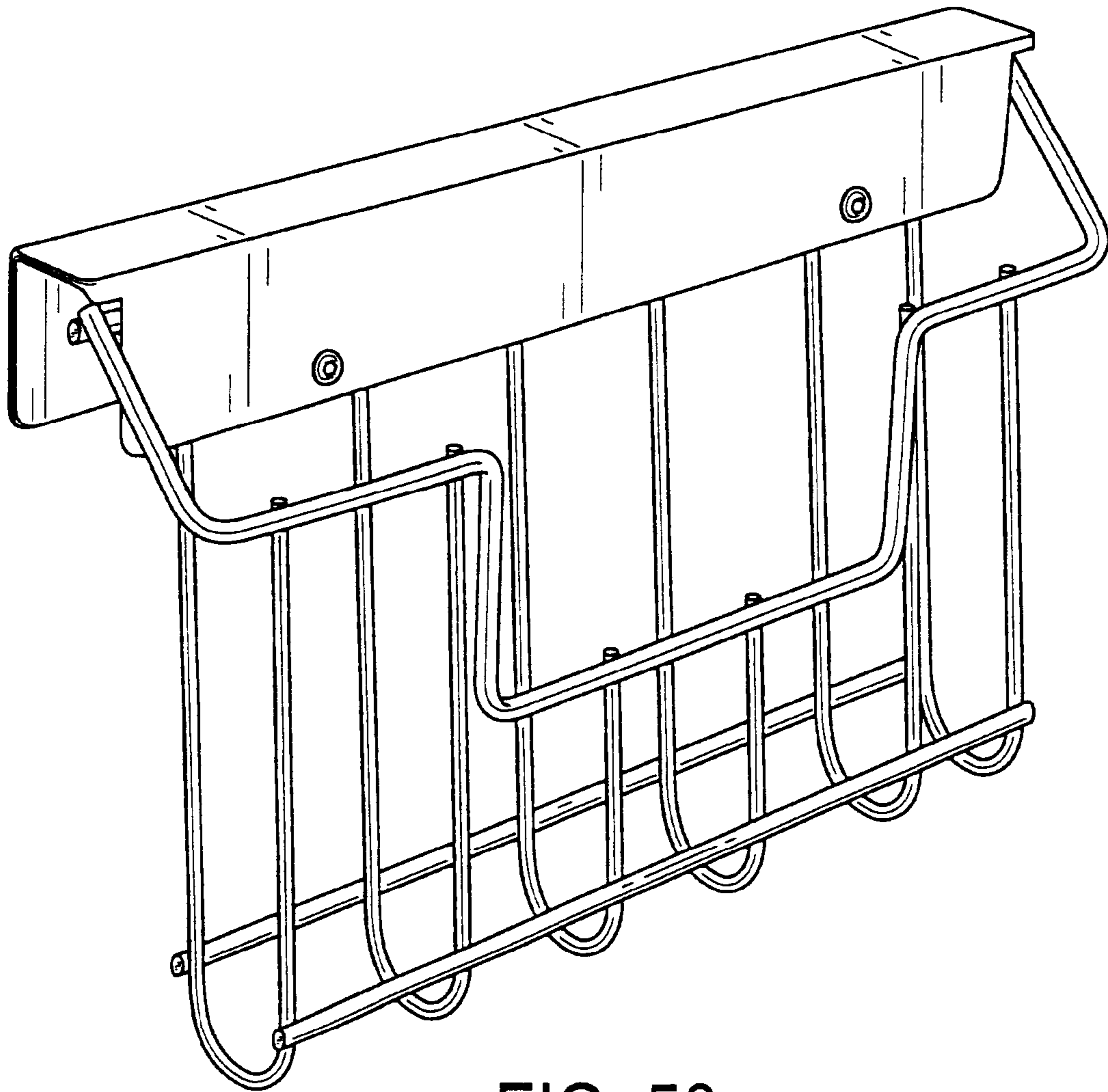


FIG. 50

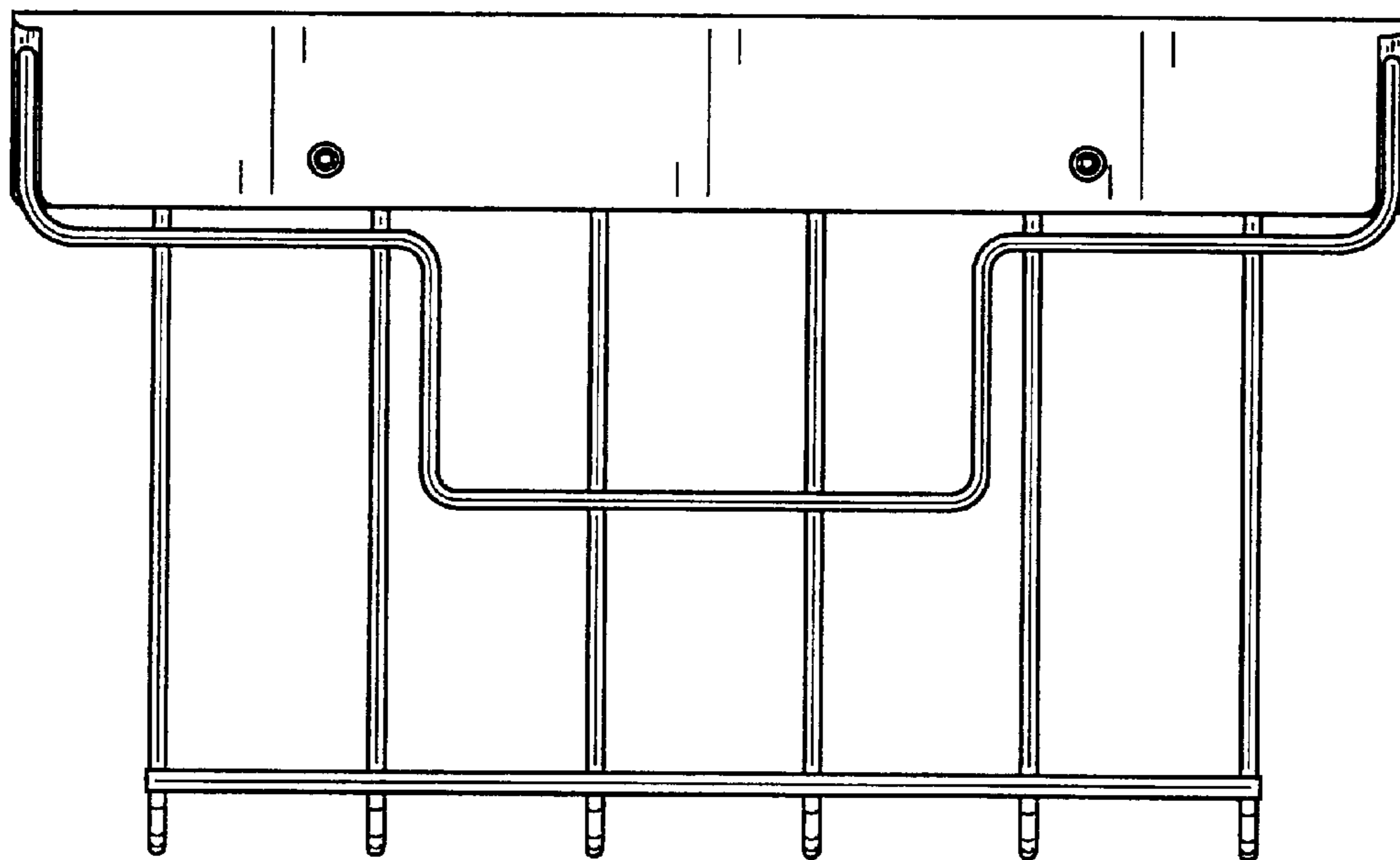


FIG. 51

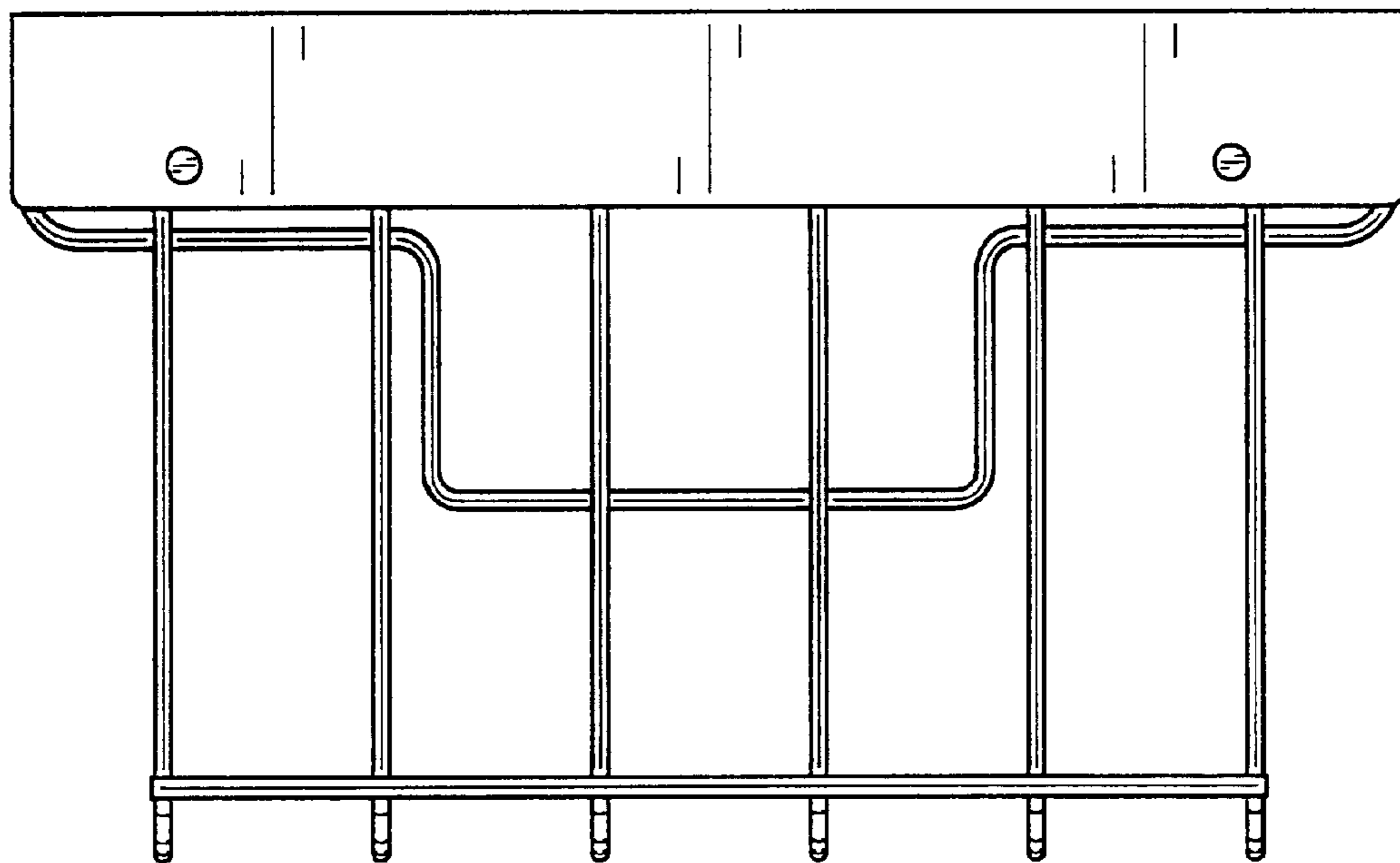


FIG. 52

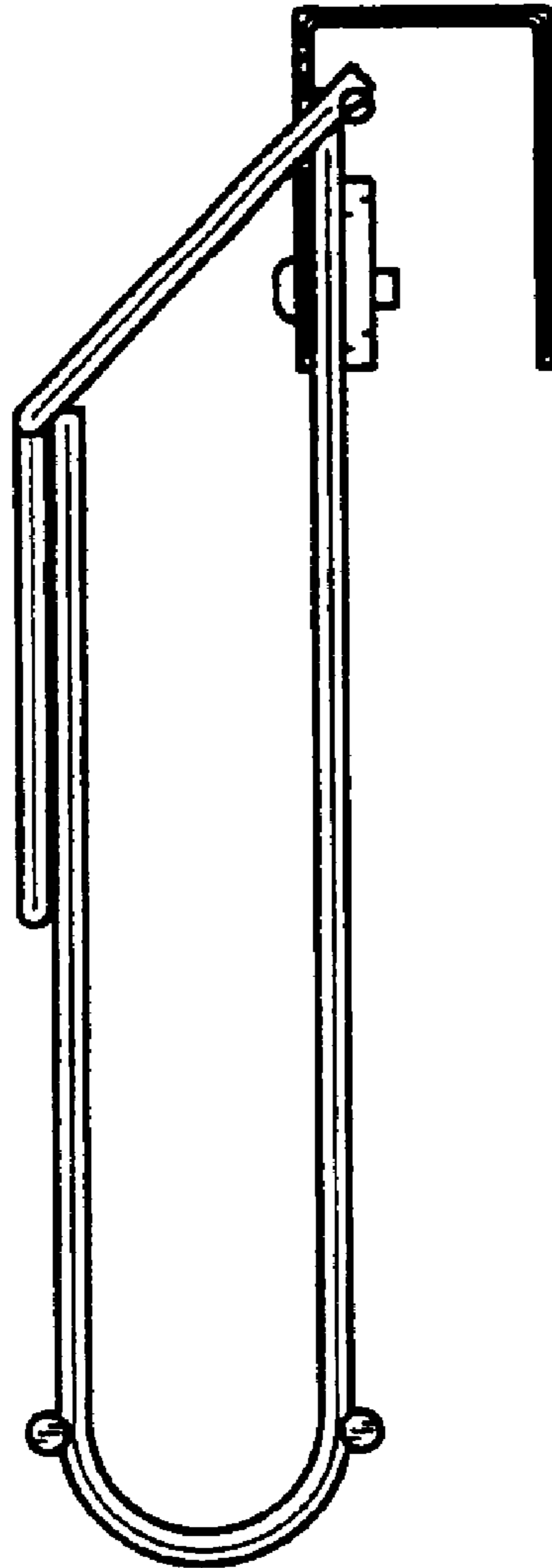


FIG. 53

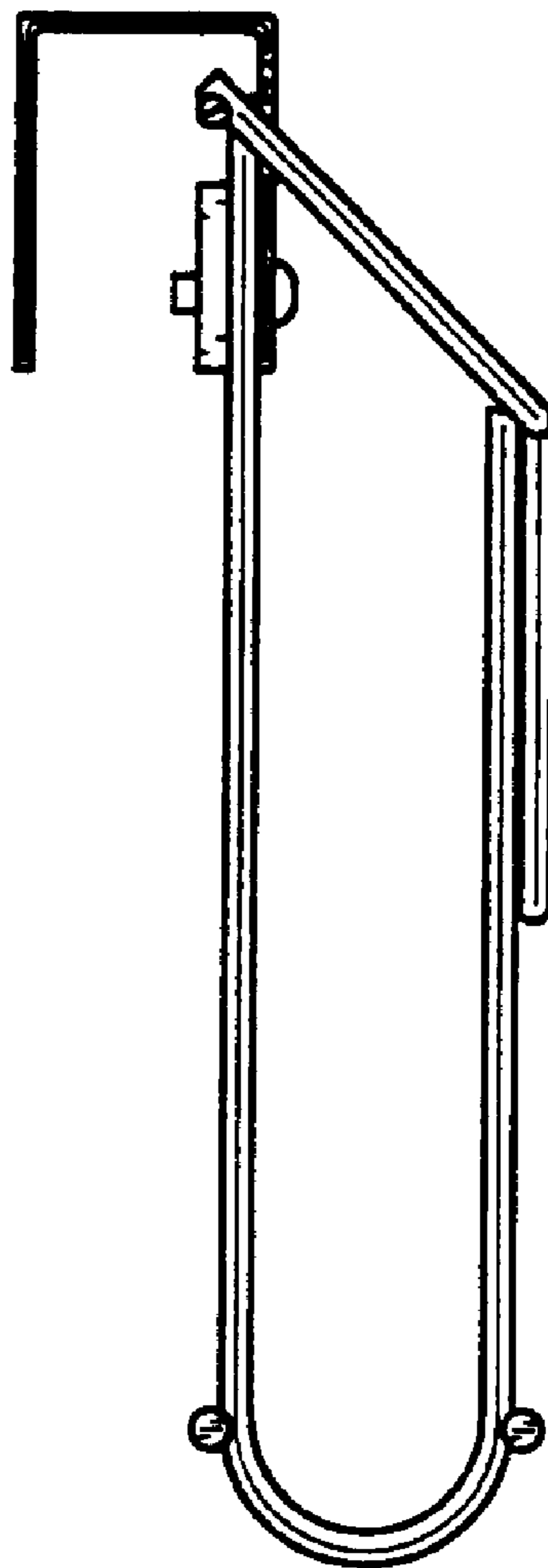


FIG. 54



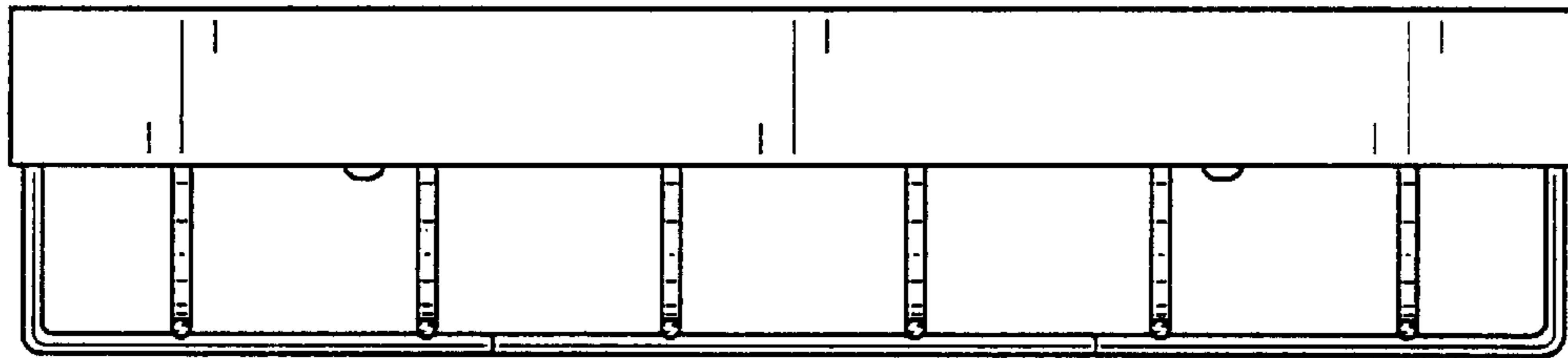


FIG. 55

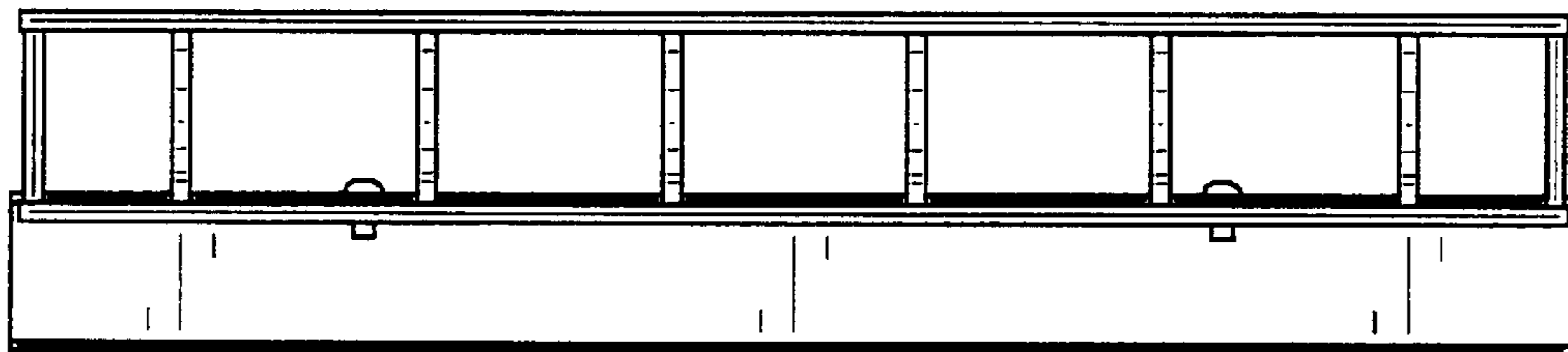


FIG. 56