



US00D536499S

(12) **United States Design Patent**
Lucht

(10) **Patent No.:** **US D536,499 S**

(45) **Date of Patent:** **** Feb. 6, 2007**

(54) **CORRUGATED DISPLAY CART**

5,141,241 A * 8/1992 Avila 280/47.371

(75) Inventor: **Wayne Lucht**, Bedford Park, IL (US)

* cited by examiner

(73) Assignee: **Midway Displays, Inc.**, Bedford Park, IL (US)

Primary Examiner—Holly Baynham

(74) *Attorney, Agent, or Firm*—Leydig, Voit & Mayer

(**) Term: **14 Years**

(57) **CLAIM**

The ornamental design for a corrugated display cart, substantially as shown and described.

(21) Appl. No.: **29/197,945**

(22) Filed: **Jan. 22, 2004**

DESCRIPTION

(51) **LOC (8) Cl.** **12-02**

(52) **U.S. Cl.** **D34/12**

(58) **Field of Classification Search** D34/12-21,
D34/24, 27; 108/55.1, 53.1; 280/33.991,
280/33.992, 33.993, 47.18, 47.26, 47.34
See application file for complete search history.

FIG. 1 is a top, left end and right side perspective view of a corrugated display cart showing my new design;

FIG. 2 is a top plan view thereof;

FIG. 3 is an end elevational view thereof;

FIG. 4 is a bottom plan view thereof; and,

FIG. 5 is a side elevational view thereof.

The broken line showing of castor wheels is for illustrative purposes only and forms no part of the claimed design.

(56) **References Cited**

U.S. PATENT DOCUMENTS

4,856,810 A * 8/1989 Smith 280/639

1 Claim, 2 Drawing Sheets

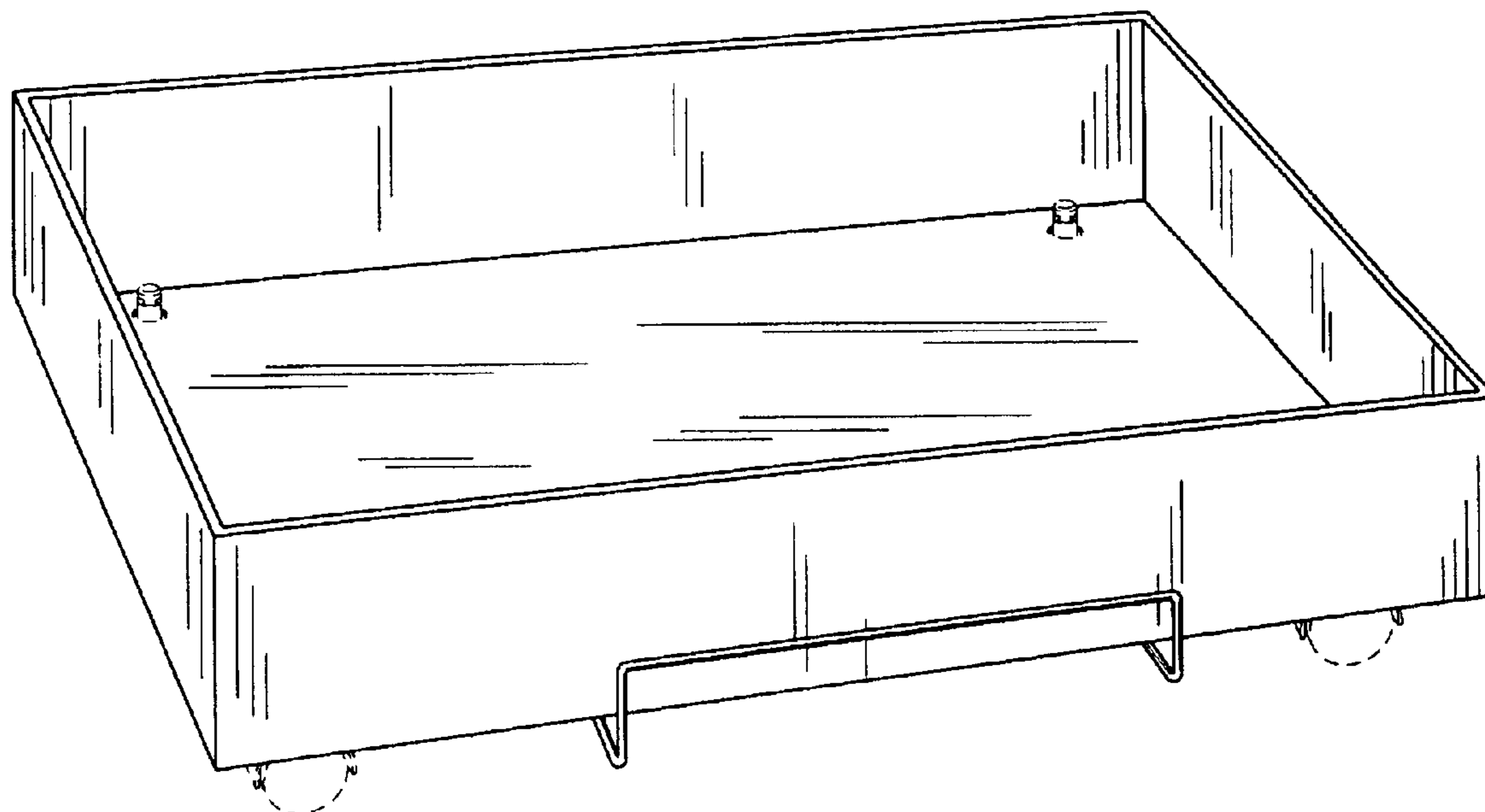


FIG. 1

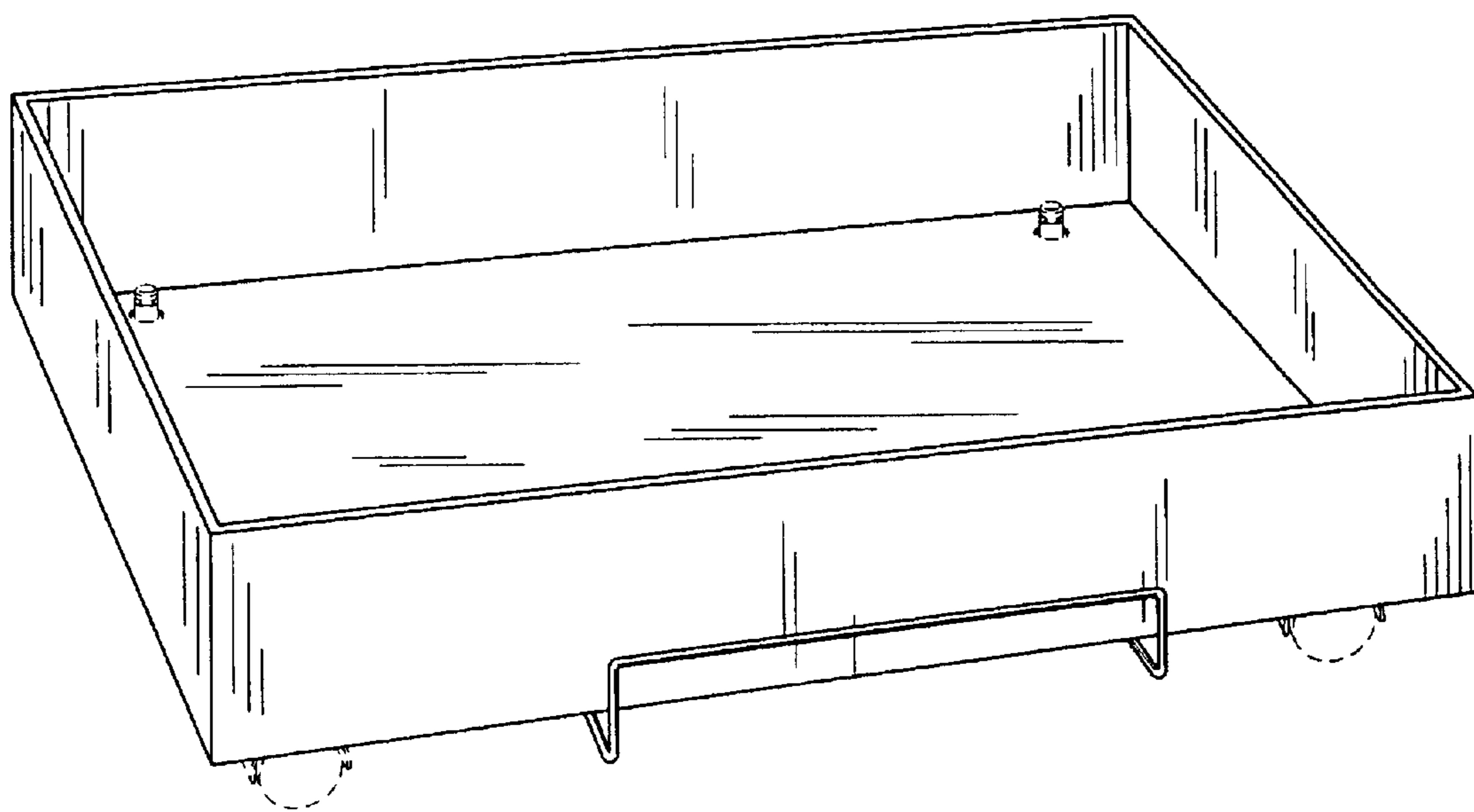


FIG. 3

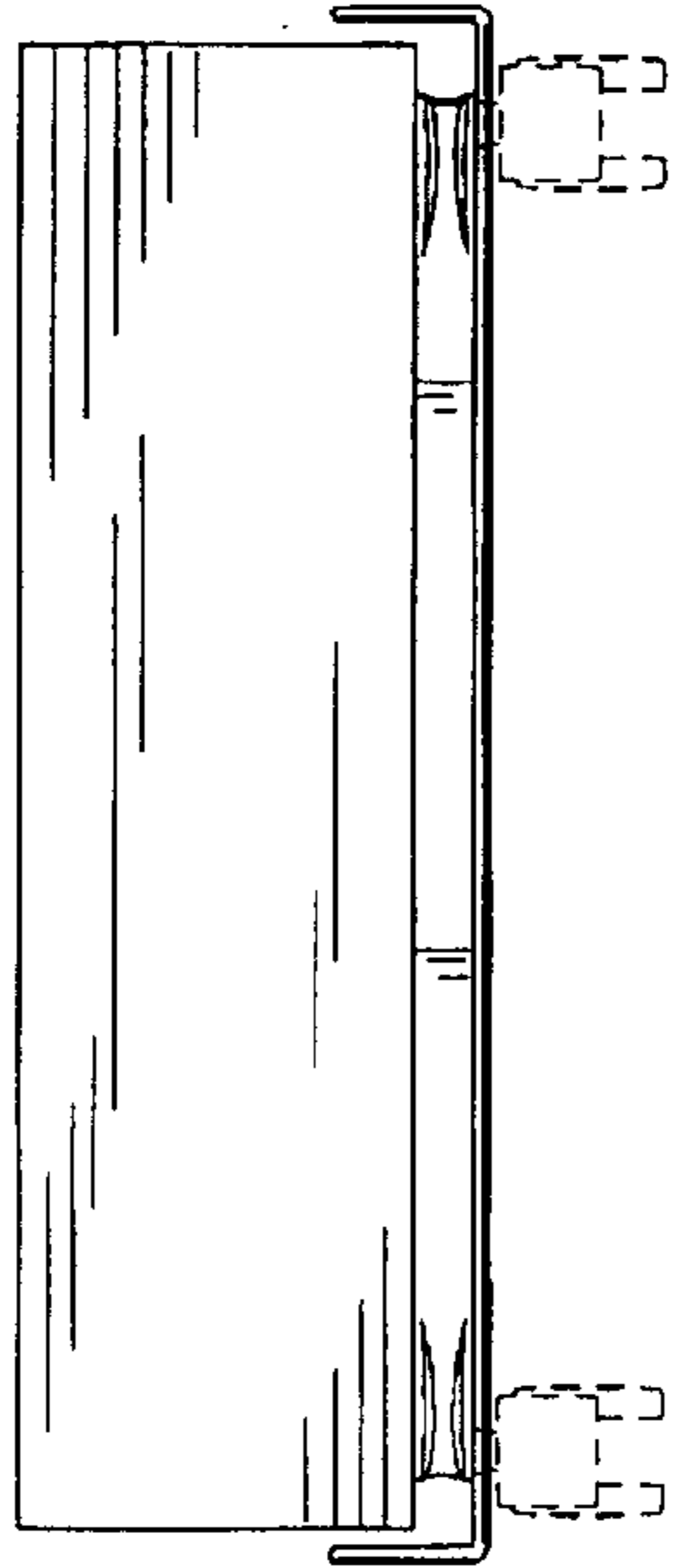


FIG. 4

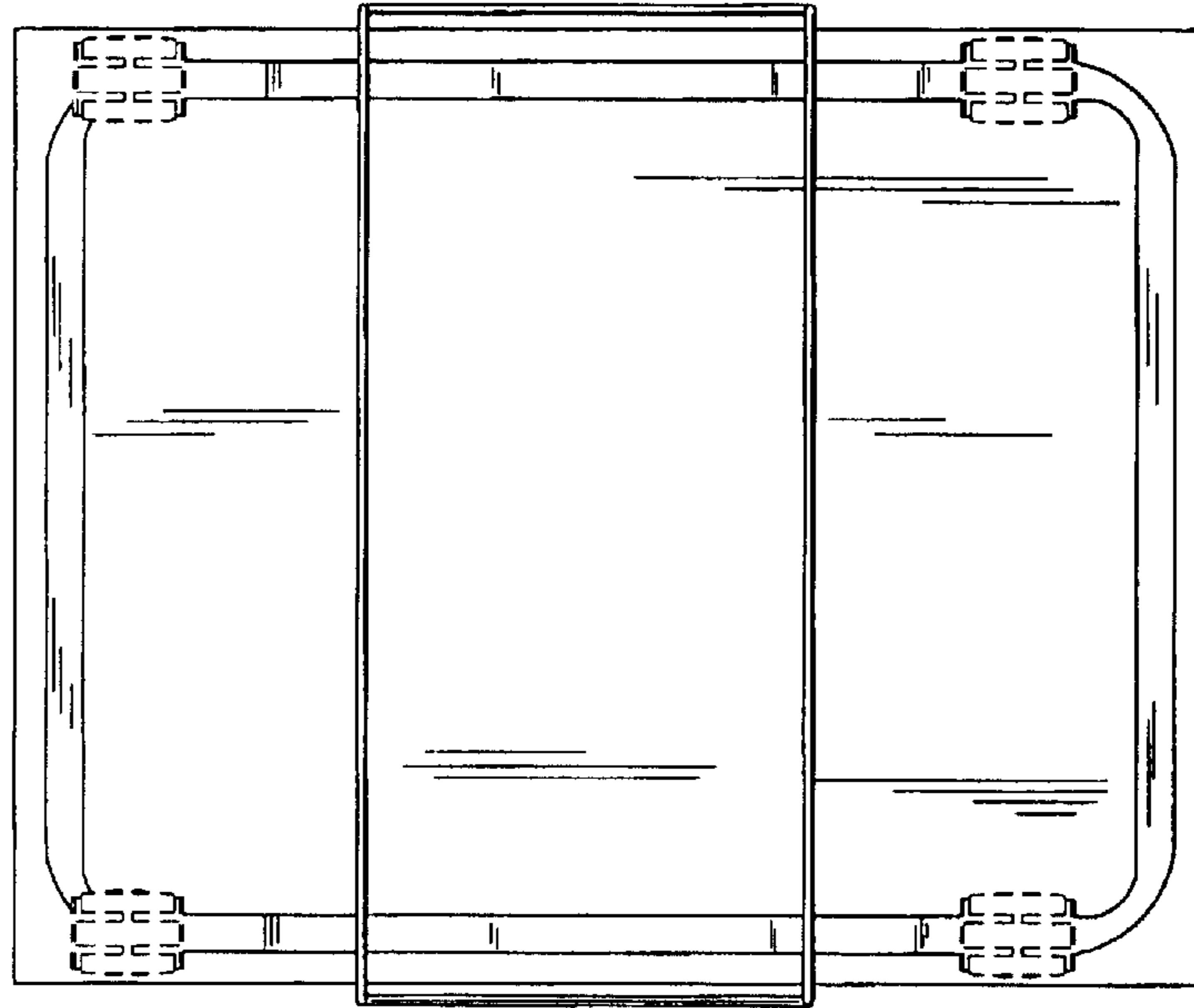


FIG. 2

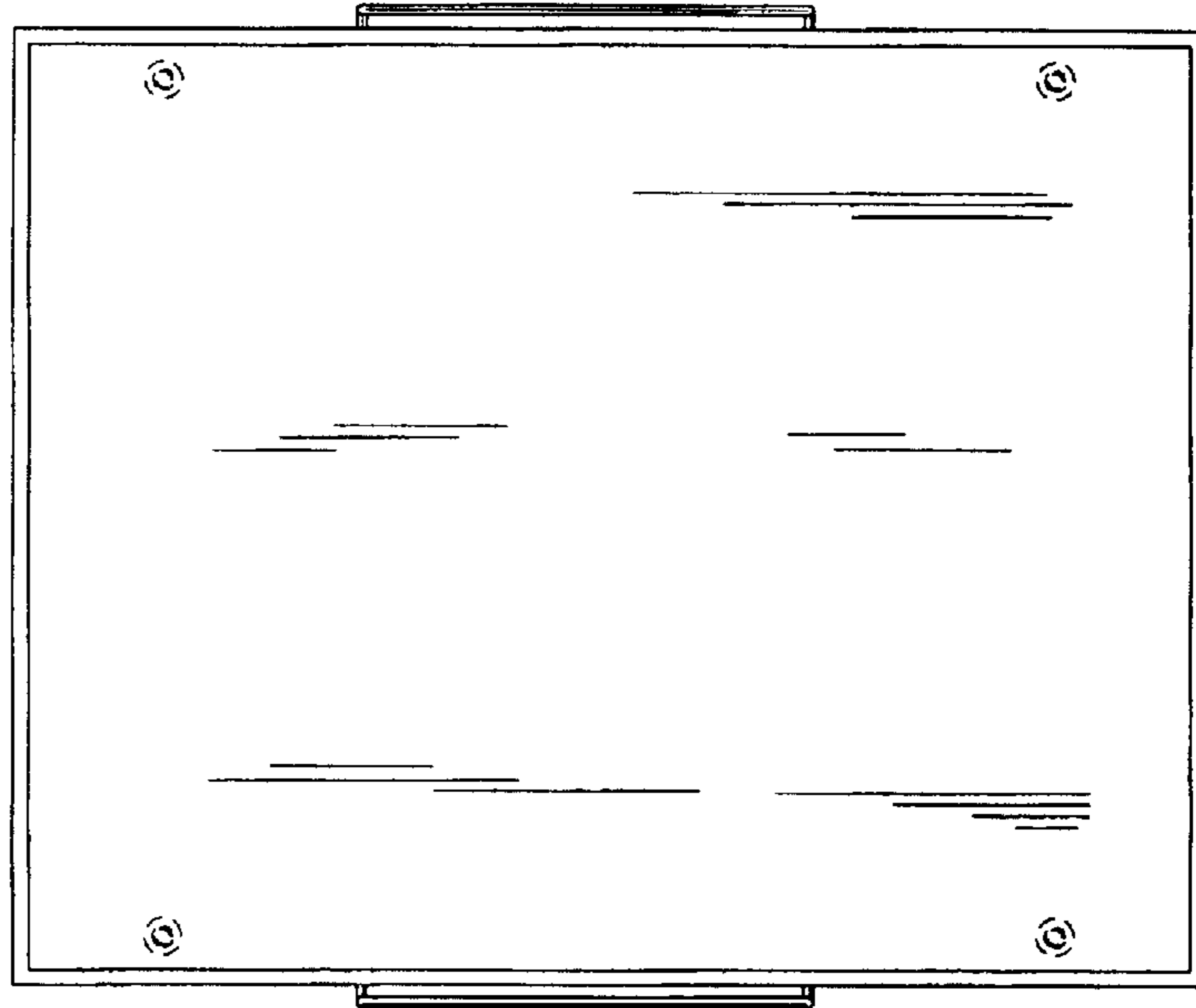


FIG. 5

