



US00D536493S

(12) **United States Design Patent**
Porter et al.

(10) **Patent No.:** **US D536,493 S**

(45) **Date of Patent:** **** Feb. 6, 2007**

(54) **LENS PORTION OF A SUCTION NOZZLE**

(75) Inventors: **John Charles Porter**, Alliance, OH (US); **Kevin Earl Scheifele**, Tallmadge, OH (US); **Gilberto Cavada, Jr.**, Melrose Park, IL (US); **Jean Ellen Kiple**, Lake Villa, IL (US); **Frank Thomas Poggio**, Lincolnshire, IL (US)

(73) Assignee: **The Hoover Company**, North Canton, OH (US)

(**) Term: **14 Years**

(21) Appl. No.: **29/229,497**

(22) Filed: **May 9, 2005**

(51) **LOC (8) Cl.** **15-05**

(52) **U.S. Cl.** **D32/31**

(58) **Field of Classification Search** D32/17, D32/31-33, 38-39; 15/321-322, 324, 325, 15/327.5, 329, 414, 415.1, 416, 418-422, 15/422.1, 354, 363, 366, 334, 338, 41.1; 362/91; 43/139; 134/113; D26/29, 34-35, D26/51, 139

See application file for complete search history.

(56) **References Cited**

U.S. PATENT DOCUMENTS

D392,779 S * 3/1998 Fedorka et al. D32/31

D431,887 S * 10/2000 Bradd et al. D32/31
D445,206 S * 7/2001 Wareham D26/28
D445,517 S * 7/2001 McGill et al. D26/28
D445,923 S * 7/2001 Bradd D26/28
D449,701 S * 10/2001 Wareham D26/28
D455,851 S * 4/2002 Wareham D26/28
D468,875 S * 1/2003 Alford et al. D32/32
6,672,735 B2 * 1/2004 Dilger et al. 362/91
D490,915 S * 6/2004 Montgomery et al. D26/28
D499,497 S * 12/2004 Hou D26/28
D524,002 S * 6/2006 Worwag D32/32

* cited by examiner

Primary Examiner—Ruth McInroy

(74) *Attorney, Agent, or Firm*—A. Burgess Lowe, Esq.; Michael J. Corrigan, Esq.

(57) **CLAIM**

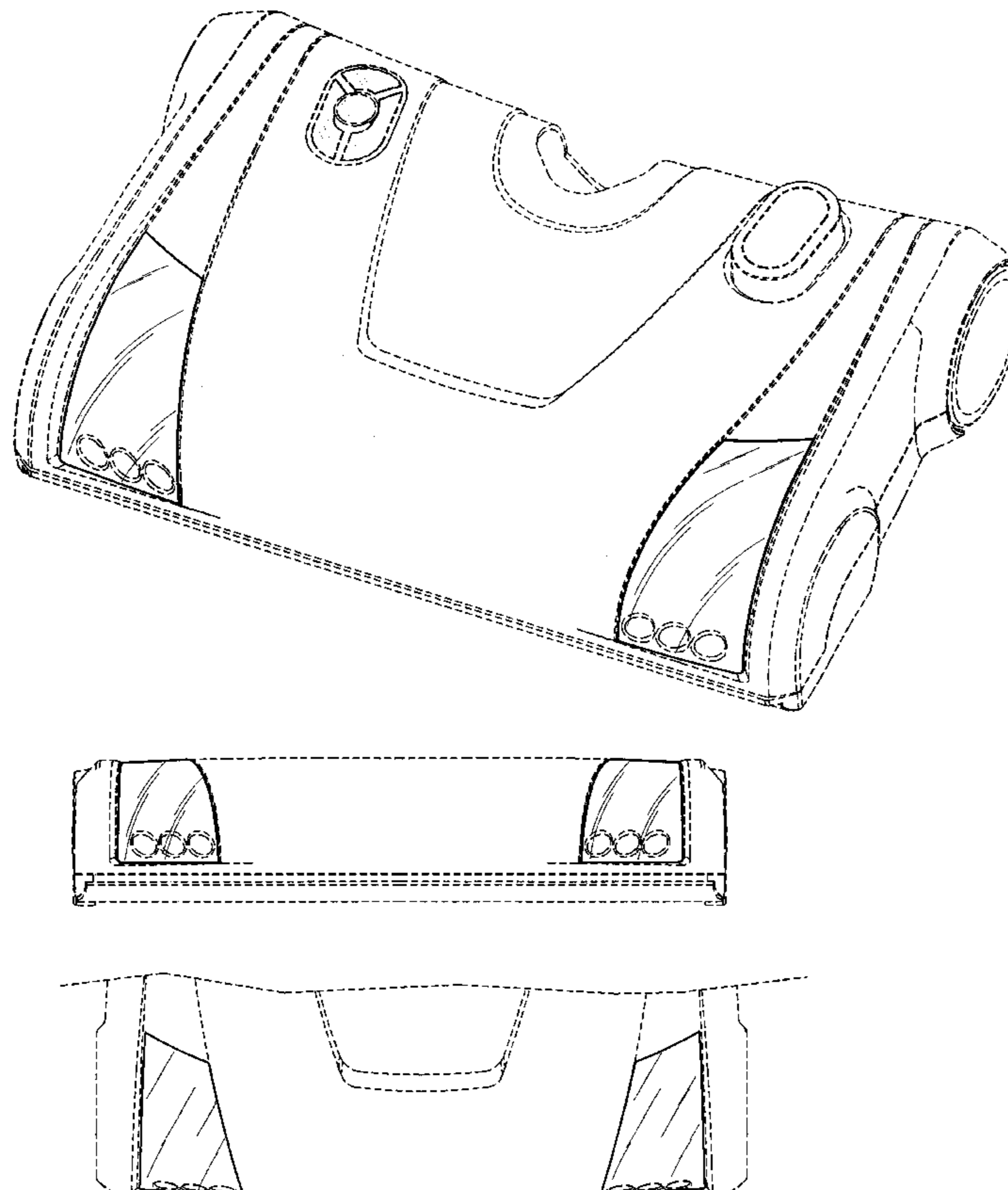
We claim the ornamental design for a lens portion of a suction nozzle, as shown and described.

DESCRIPTION

FIG. 1 is a perspective view of a lens portion of a suction nozzle showing our new design; FIG. 2 is a top view thereof; and, FIG. 3 is a front view thereof.

The portions of the suction nozzle shown in broken lines are for illustrative purposes only and form no part of the claimed design.

1 Claim, 2 Drawing Sheets



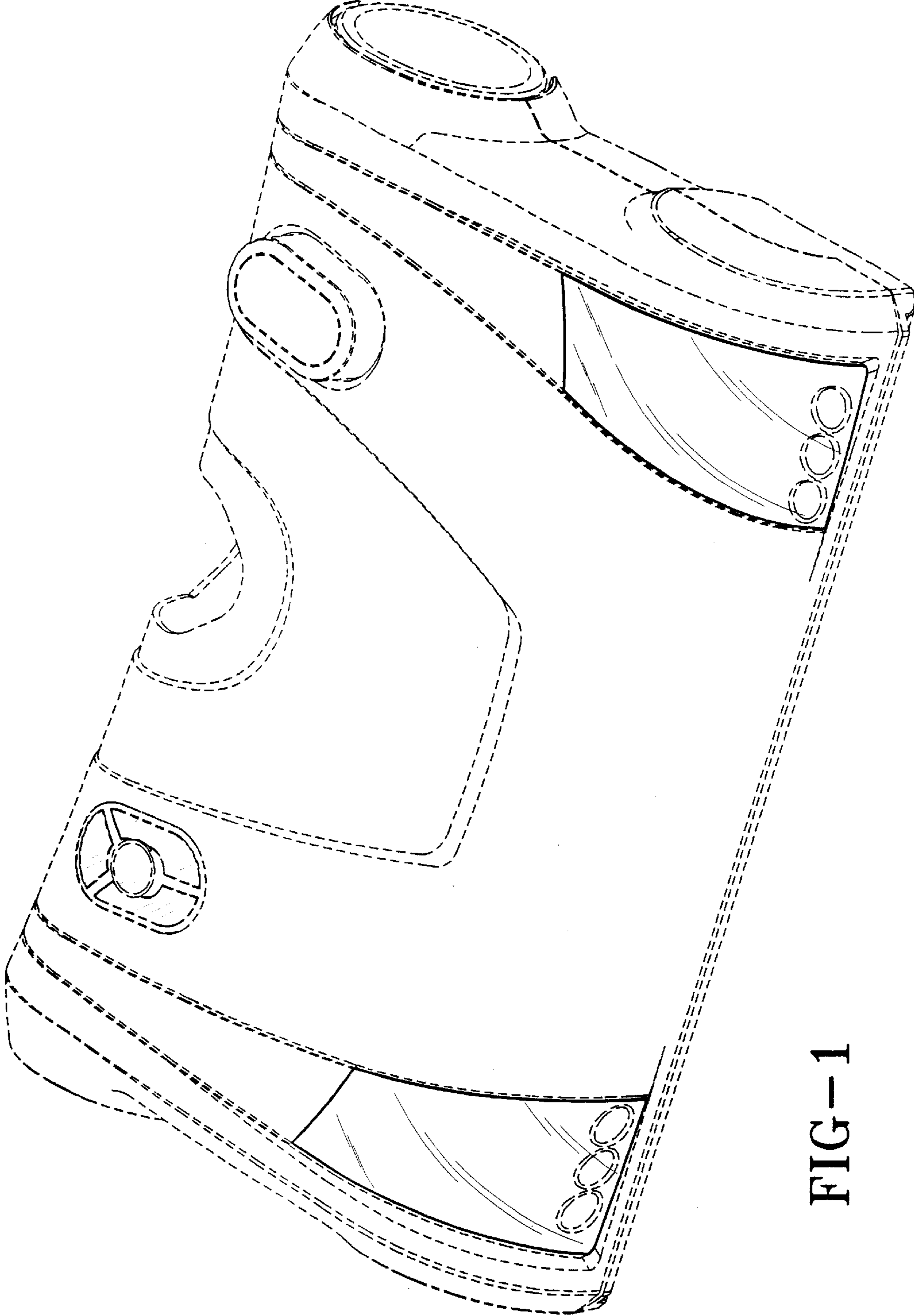


FIG-1

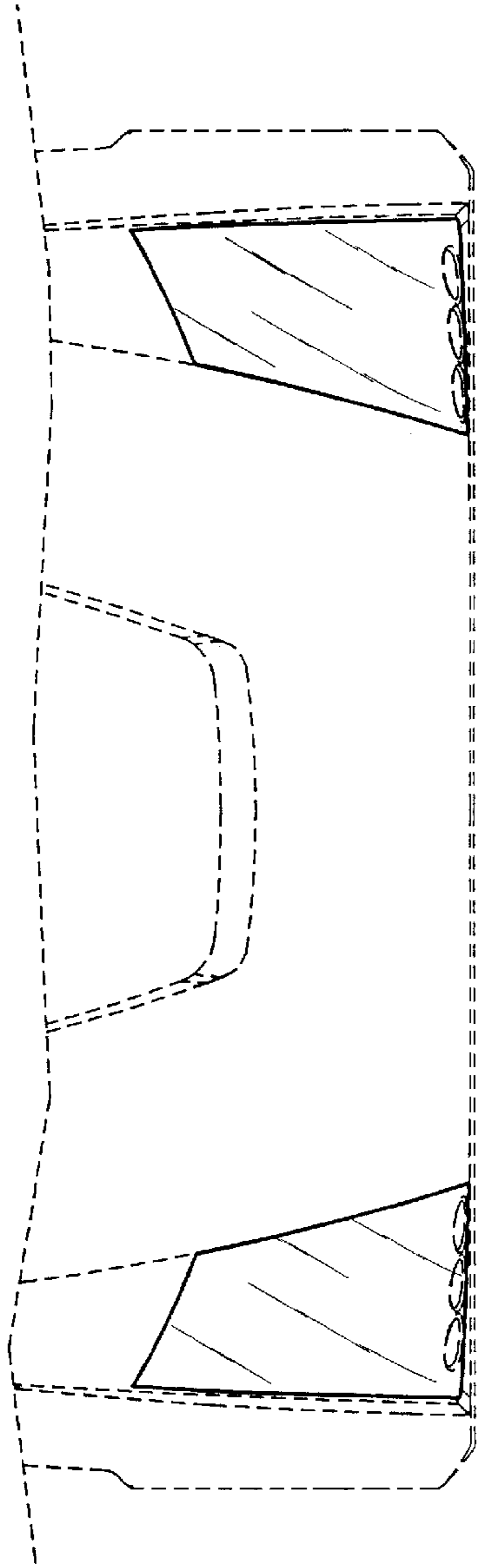


FIG-3

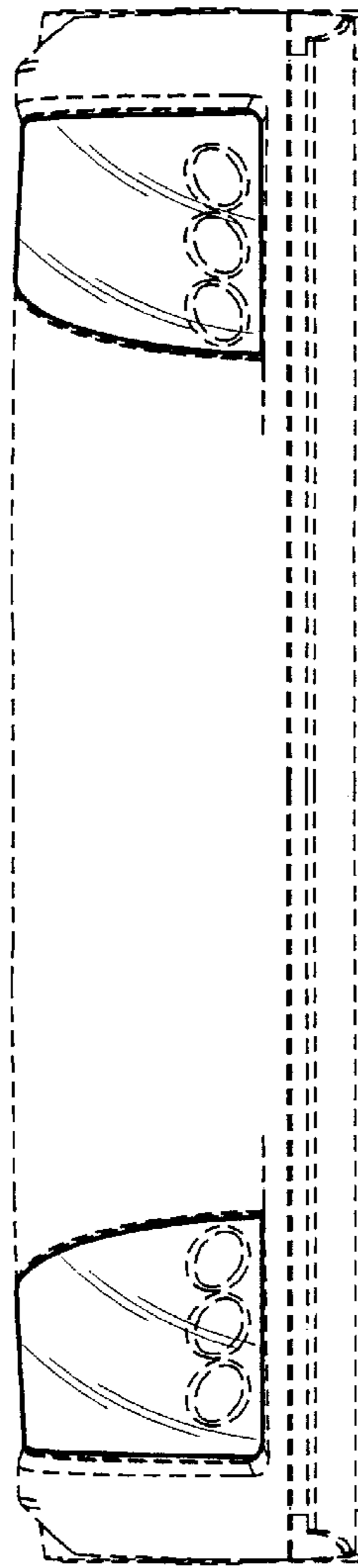


FIG-2